

[54] WIG MODELLING STAND

[75] Inventor: Chen K. Chao, Hong Kong, Hong Kong

[73] Assignee: The Artistic Hair Products Company Limited, Hong Kong, Hong Kong

[\*\*] Term: 14 Years

[21] Appl. No.: 578,571

[22] Filed: Feb. 9, 1984

[30] Foreign Application Priority Data

Oct. 21, 1983 [GB] United Kingdom ..... 1015837

[52] U.S. Cl. .... D28/93

[58] Field of Search ..... D28/9, 10, 92, 93, 99; D19/74; 132/1 R, 9; 211/30, 33; 248/176, 537; 223/66

[56] References Cited

U.S. PATENT DOCUMENTS

- D. 197,319 1/1964 Preble ..... D19/74
- D. 203,636 2/1966 Goldblatt ..... D28/93

- D. 221,711 8/1971 D'Zamko ..... D28/93
- D. 223,689 5/1972 Forbes ..... D28/93
- 3,198,408 8/1965 Benner ..... D28/93 X
- 3,276,734 10/1966 Goldblatt ..... D28/93 X
- 3,489,383 1/1970 Anson ..... D28/93 X
- 3,777,951 12/1973 Newsteder ..... D28/93 X

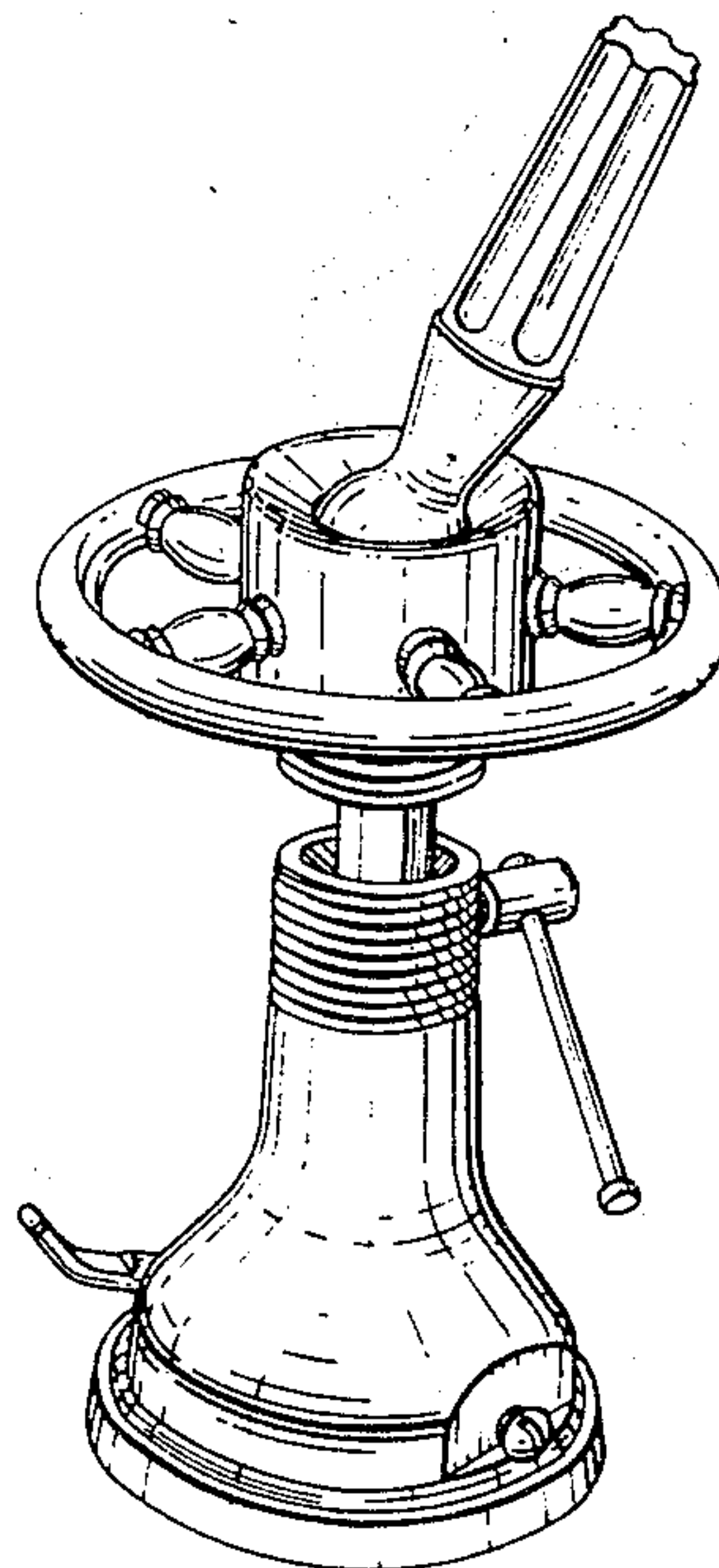
Primary Examiner—Louis S. Zarfes  
Attorney, Agent, or Firm—Spencer & Frank

[57] CLAIM

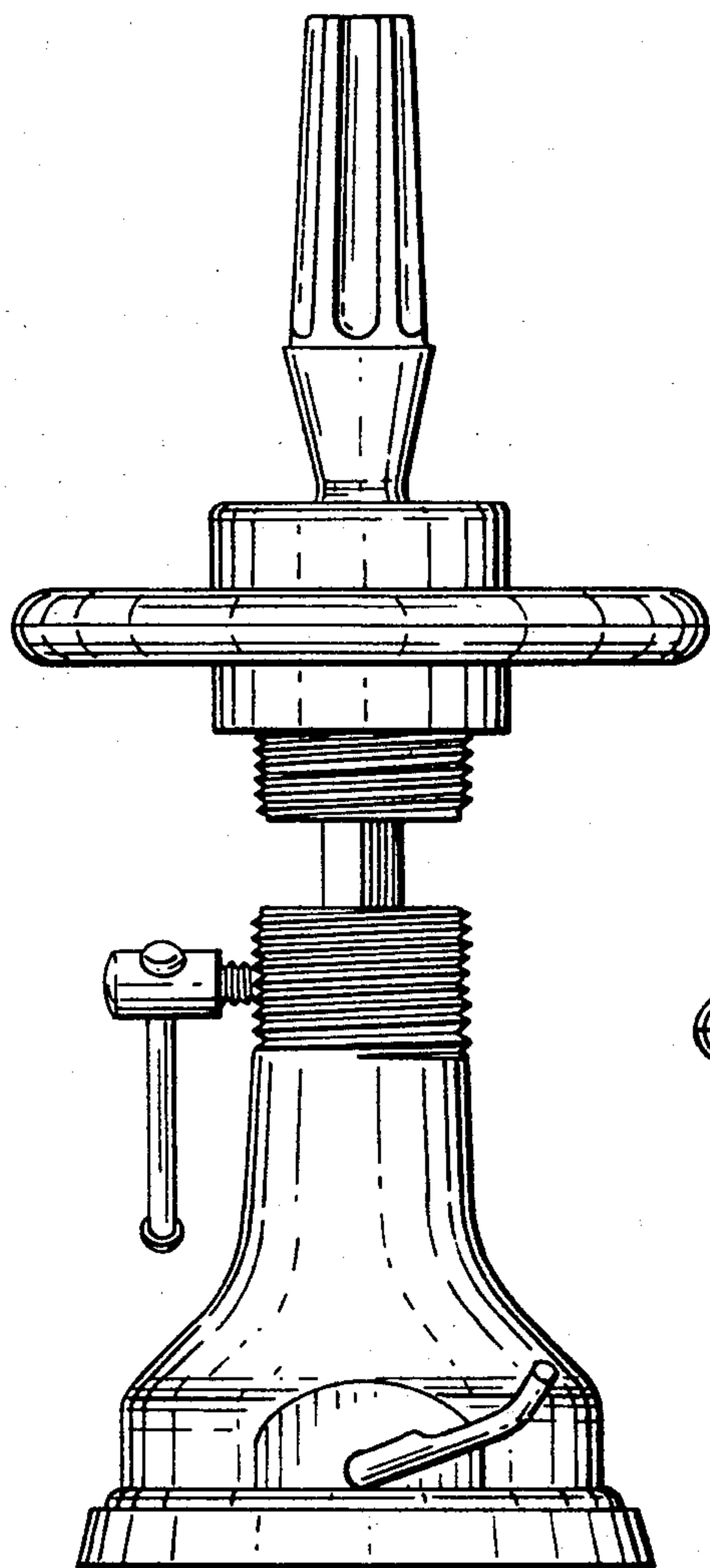
The ornamental design of a wig modelling stand, substantially as shown and described.

DESCRIPTION

FIG. 1 is a right side elevational view of a wig modelling stand showing my new design; FIG. 2 is a left side elevational view; FIG. 3 is a front elevational view; FIG. 4 is a bottom plan view; FIG. 5 is a top plan view; FIG. 6 is a top right perspective view; and FIG. 7 is a left rear perspective view of the stand in another position.



*Fig. 1.*



*Fig. 2.*

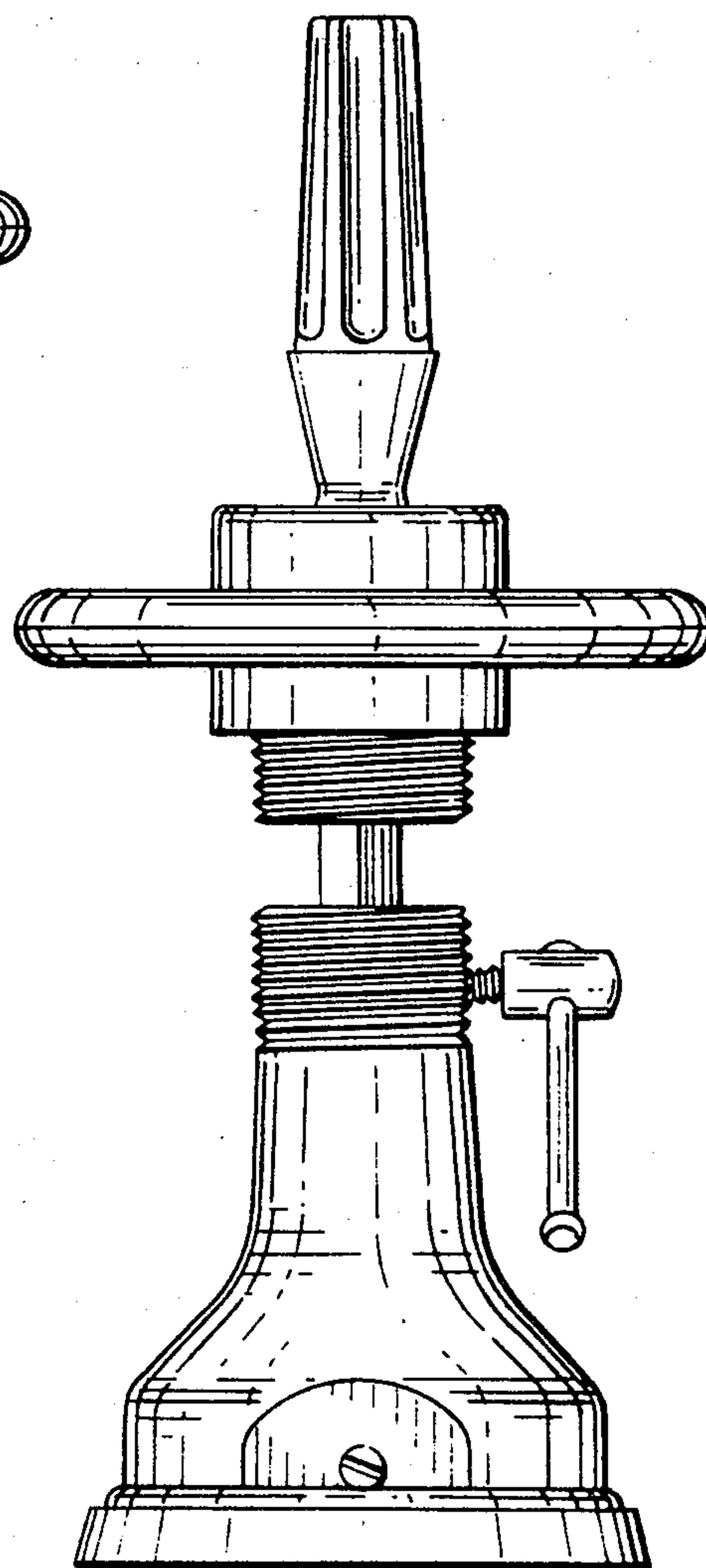


Fig. 3.

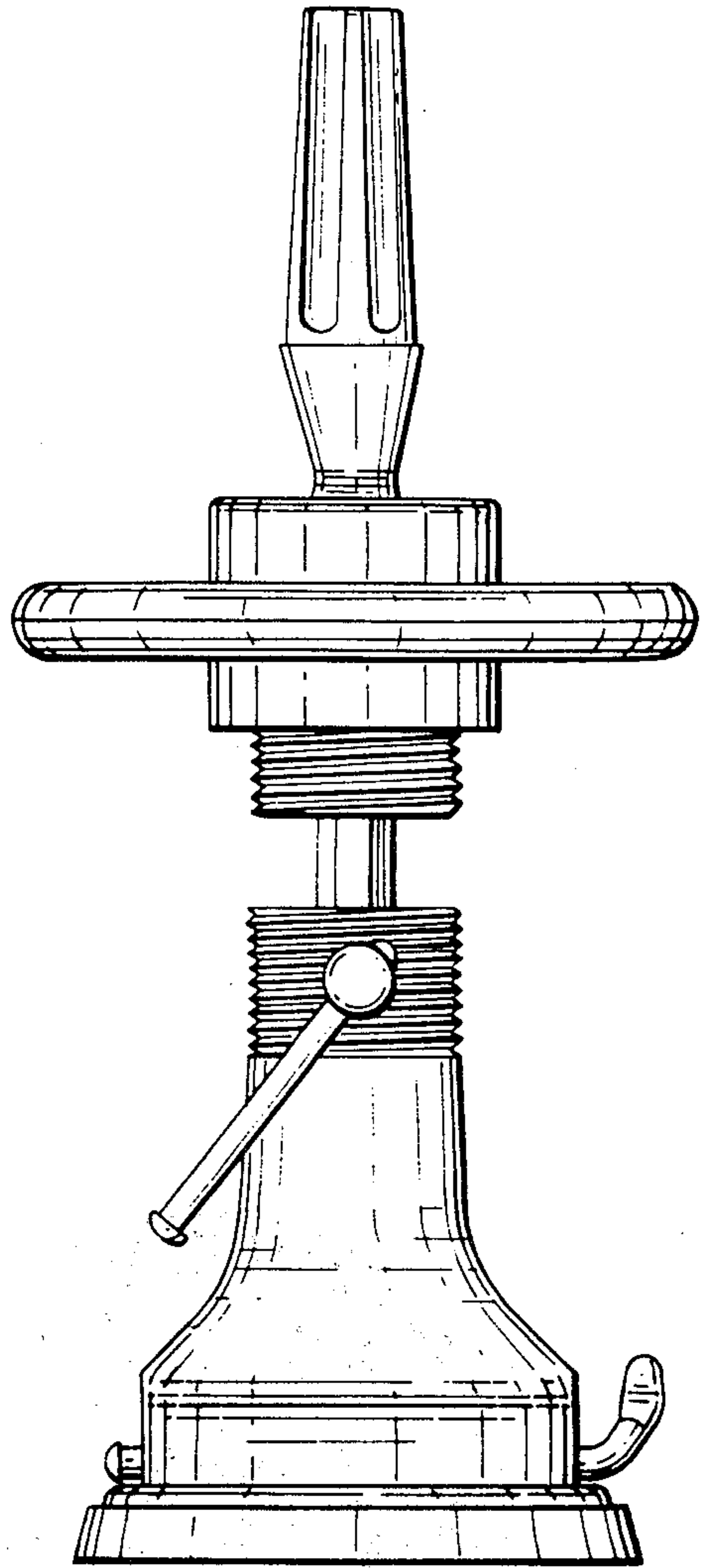


Fig. 4.

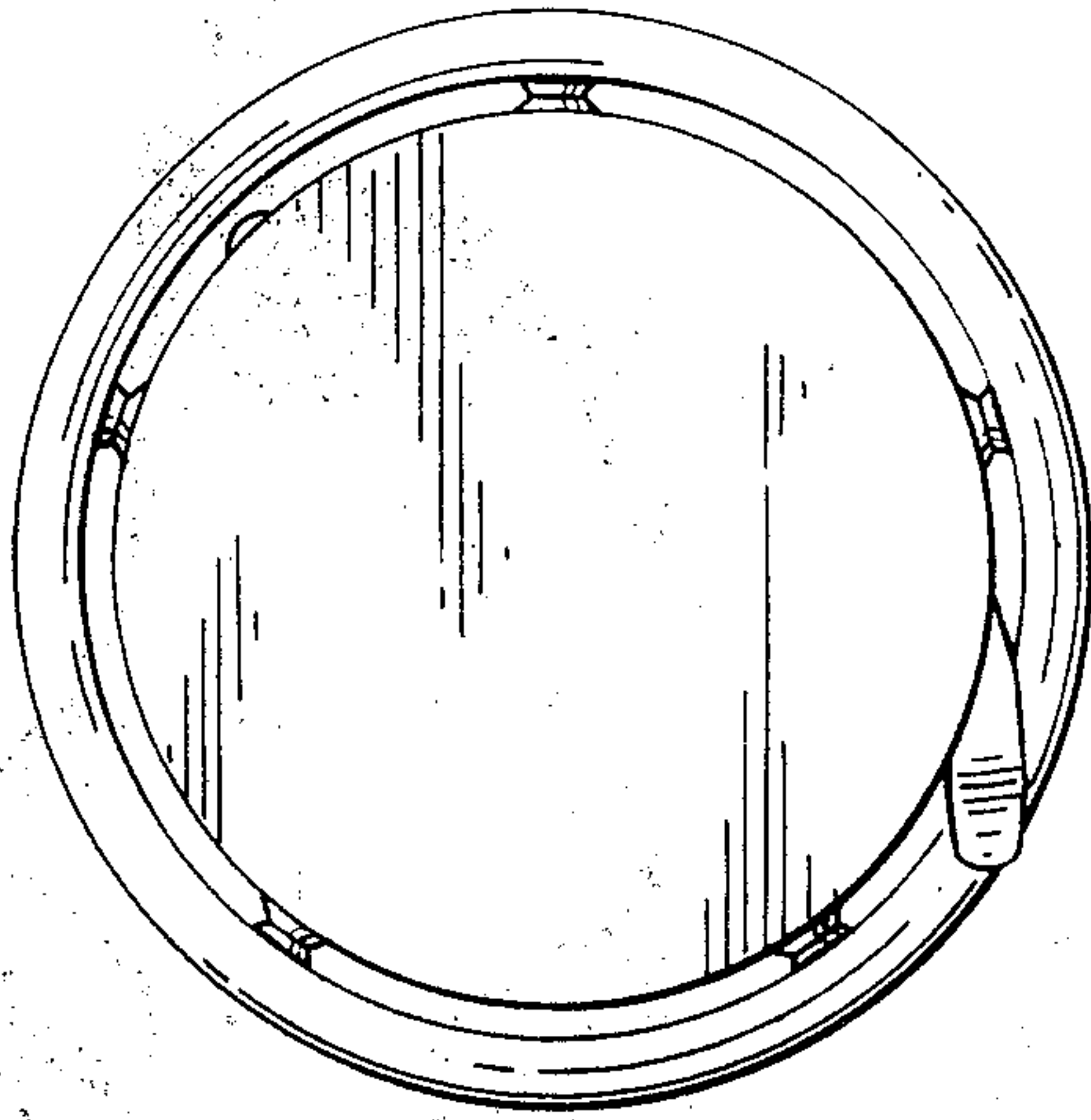


Fig. 6.

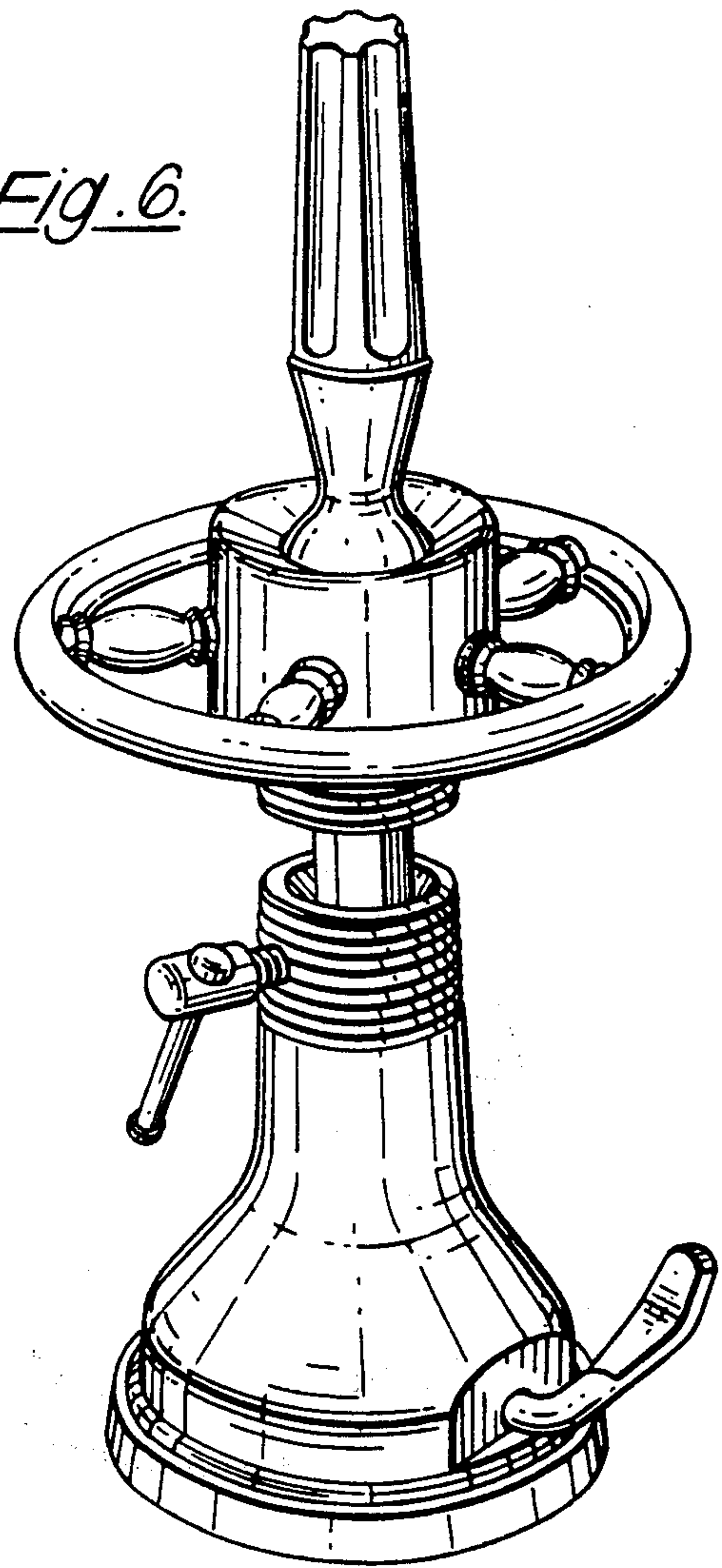
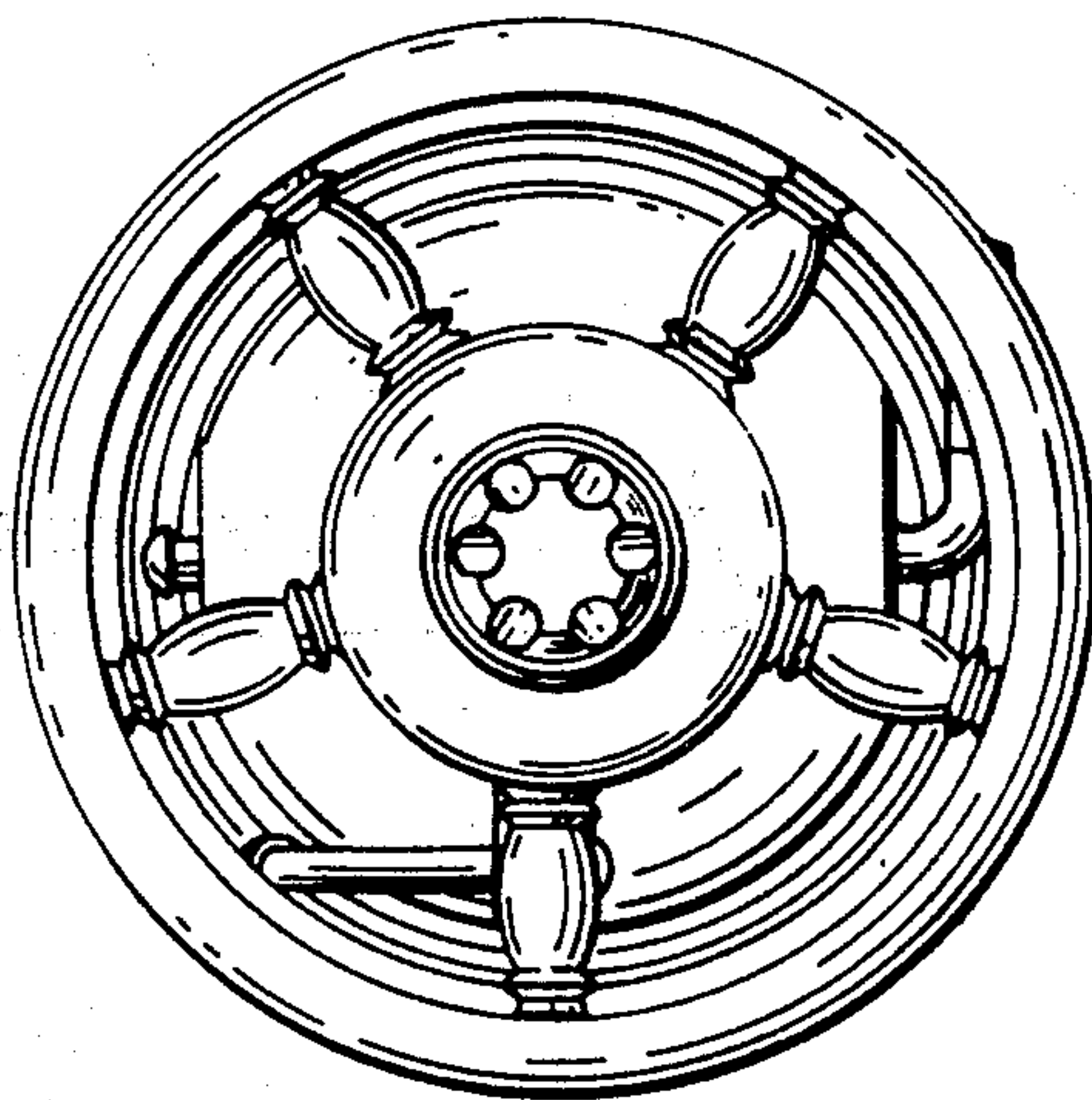


Fig. 5.





*Fig. 7.*

