

[54] ADJUSTABLE TABLE LAMP

[75] Inventor: Rodolfo Bonetto, Milan, Italy

[73] Assignee: Iguzzini Illuminazione S.p.A., Recanati, Italy

[**] Term: 14 Years

[21] Appl. No.: 568,142

[22] Filed: Jan. 4, 1984

[30] Foreign Application Priority Data

Jul. 5, 1983 [IT] Italy 22293/83[U]

[52] U.S. Cl. D26/65

[58] Field of Search D26/24, 60-66; 362/269, 296, 401, 402, 418, 427

[56] References Cited

U.S. PATENT DOCUMENTS

3,409,767 11/1968 Entwistle 362/401

OTHER PUBLICATIONS

Abitare Supplement-5-Lamps, p. 5, #574, Lamp (bottom right).

Abitare Supplement-3-Lamps, p. 3, Item 5, Wall Lamp. Domus, 6-1972, p. 516, Lamp.

Primary Examiner—Susan J. Lucas

Attorney, Agent, or Firm—Cushman, Darby & Cushman

[57] CLAIM

The ornamental design for an adjustable table lamp, as shown and described.

DESCRIPTION

FIGS. 1, 2, 3 and 4 are perspective views of the adjustable table lamp embodying my new design, the lamp being in an alternate position in each figure;

FIG. 5 is a side elevational view of the adjustable table lamp in the position shown in FIG. 1 on an enlarged scale;

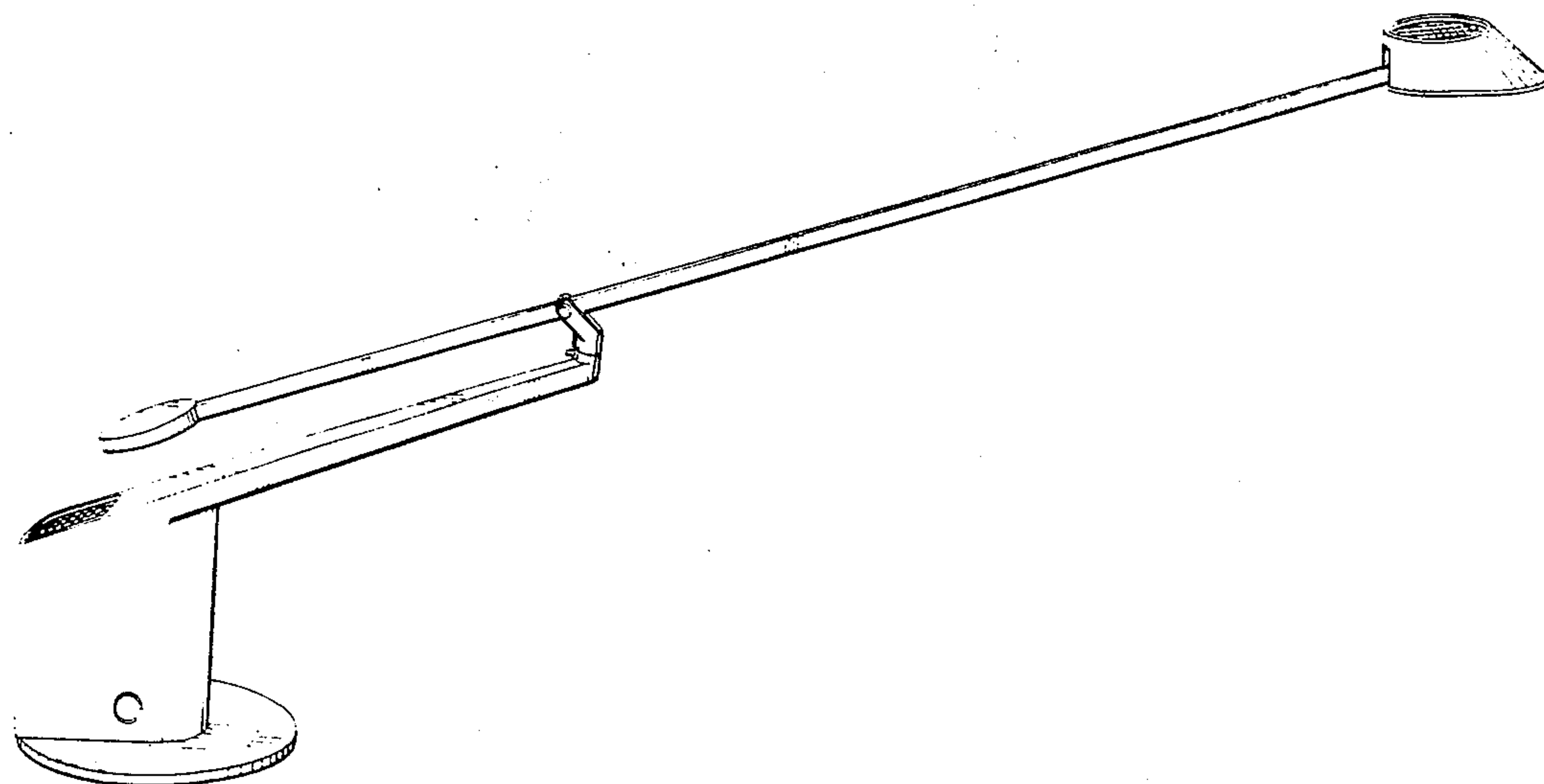
FIG. 6 is an opposite side elevational view thereof;

FIG. 7 is a rear elevational view thereof;

FIG. 8 is a front elevational view thereof;

FIG. 9 is a top plan view thereof;

FIG. 10 is a bottom plan view thereof.



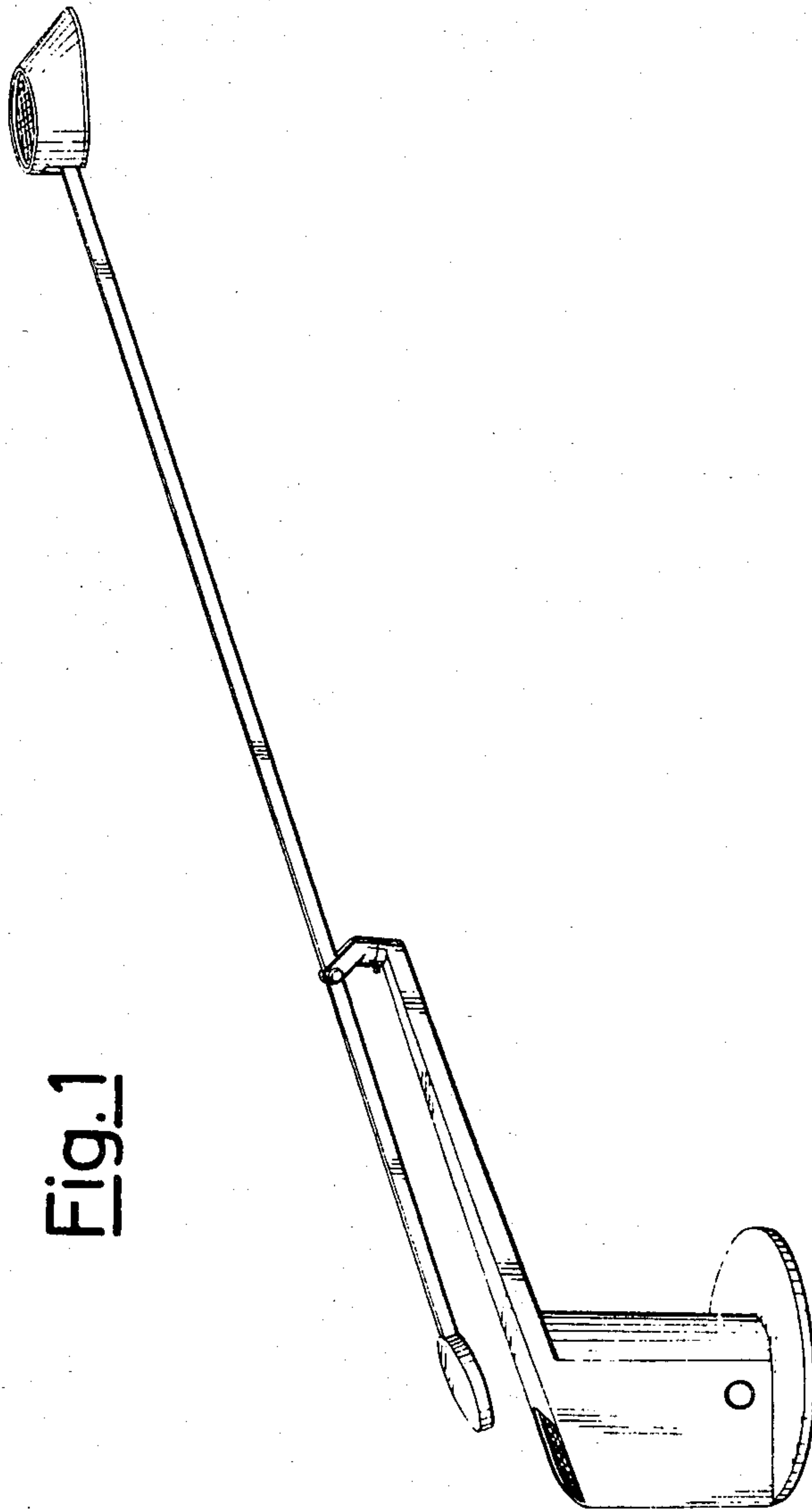


Fig. 1

Fig. 2

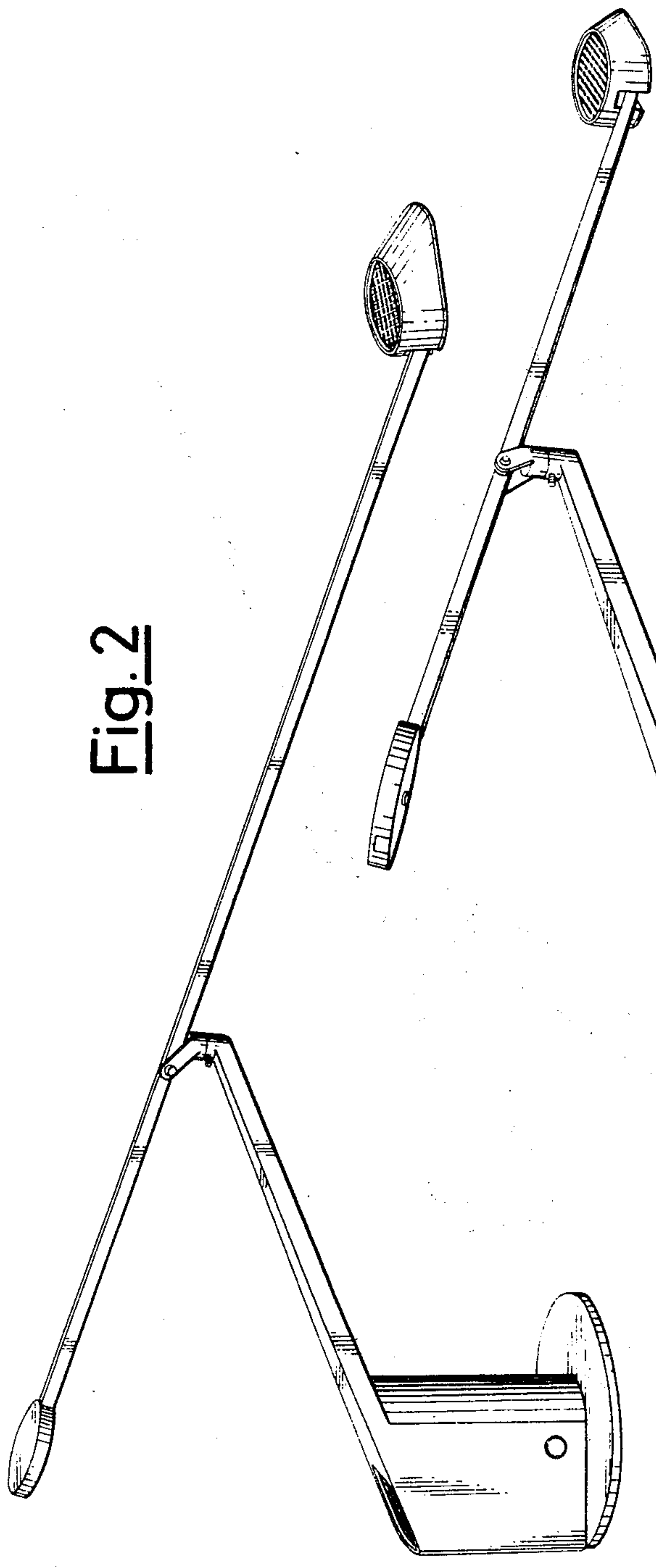


Fig. 3

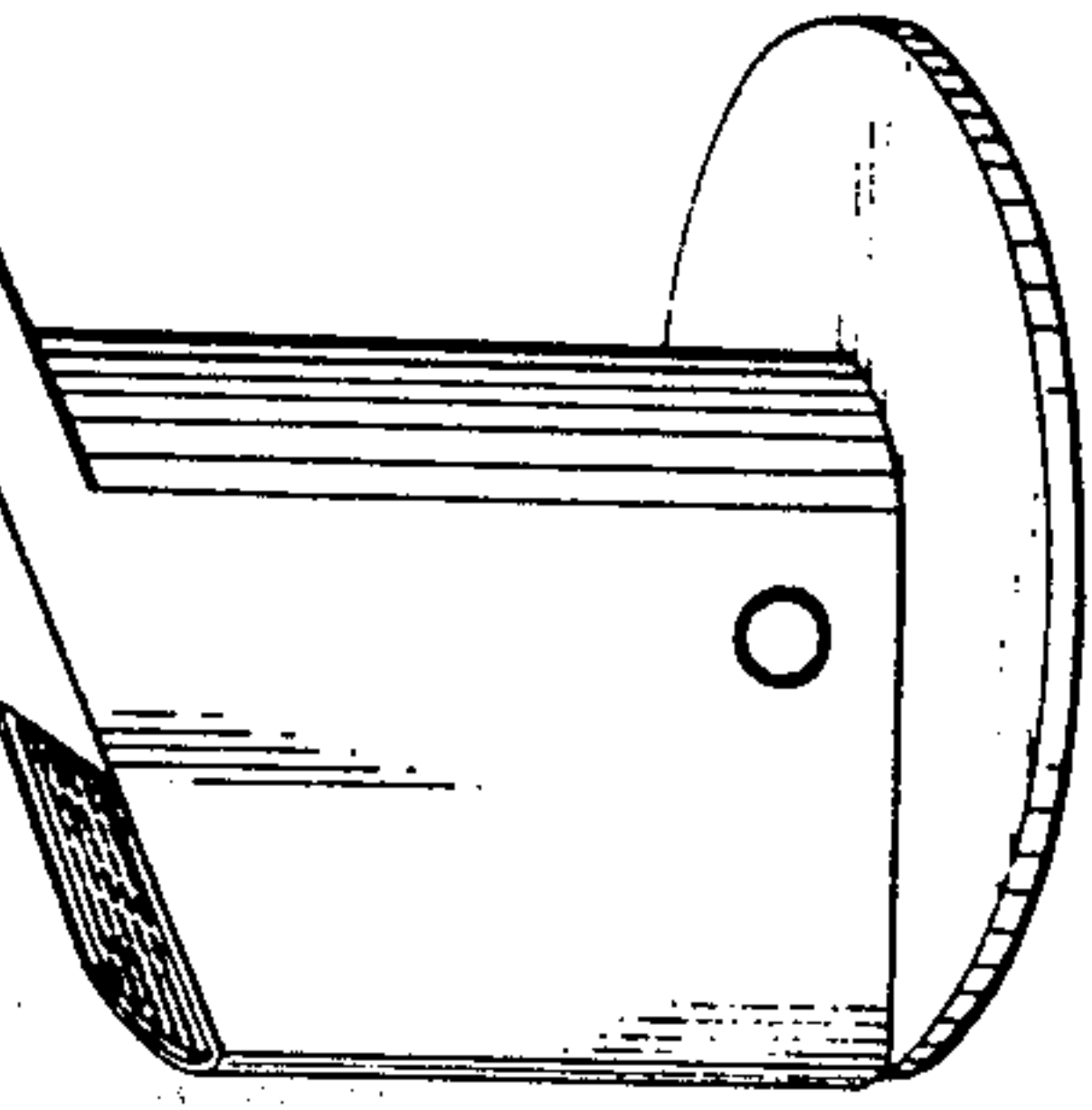


Fig. 4

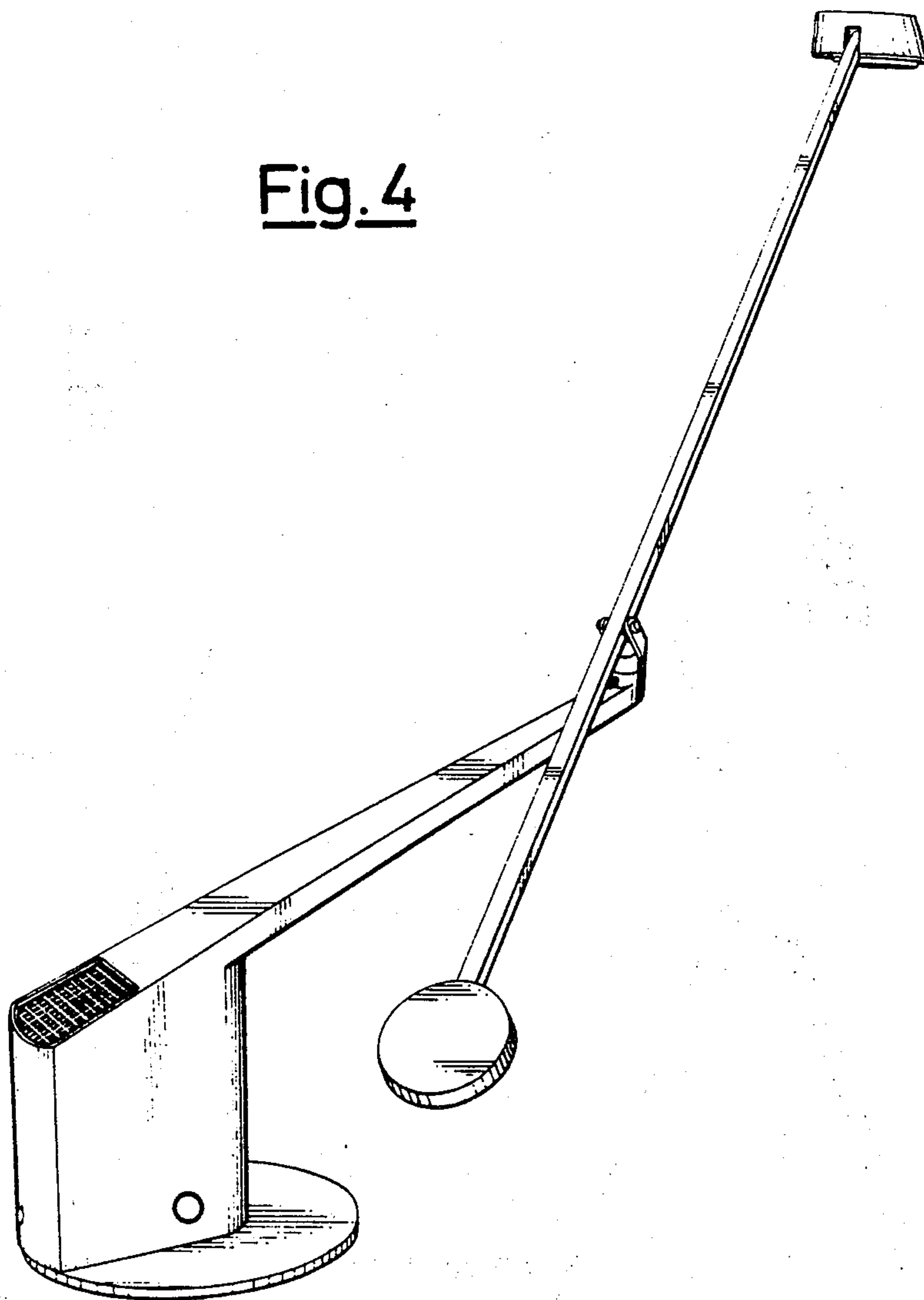


Fig. 5

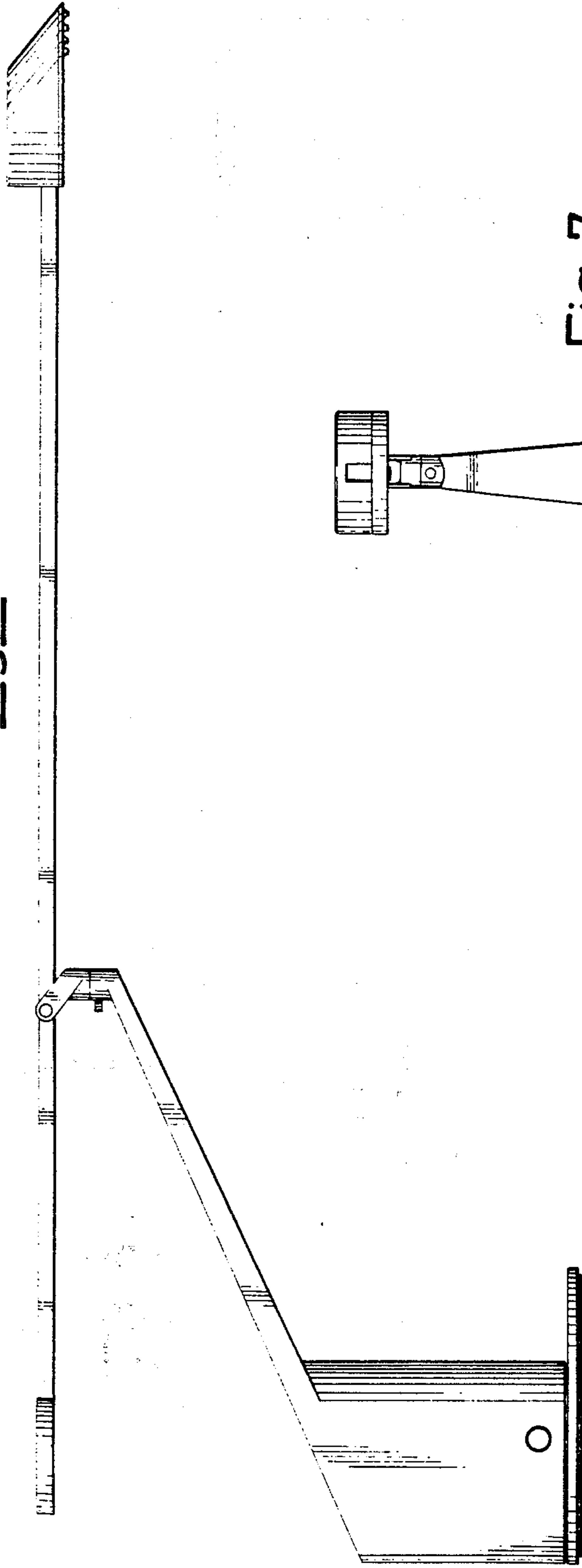


Fig. 7

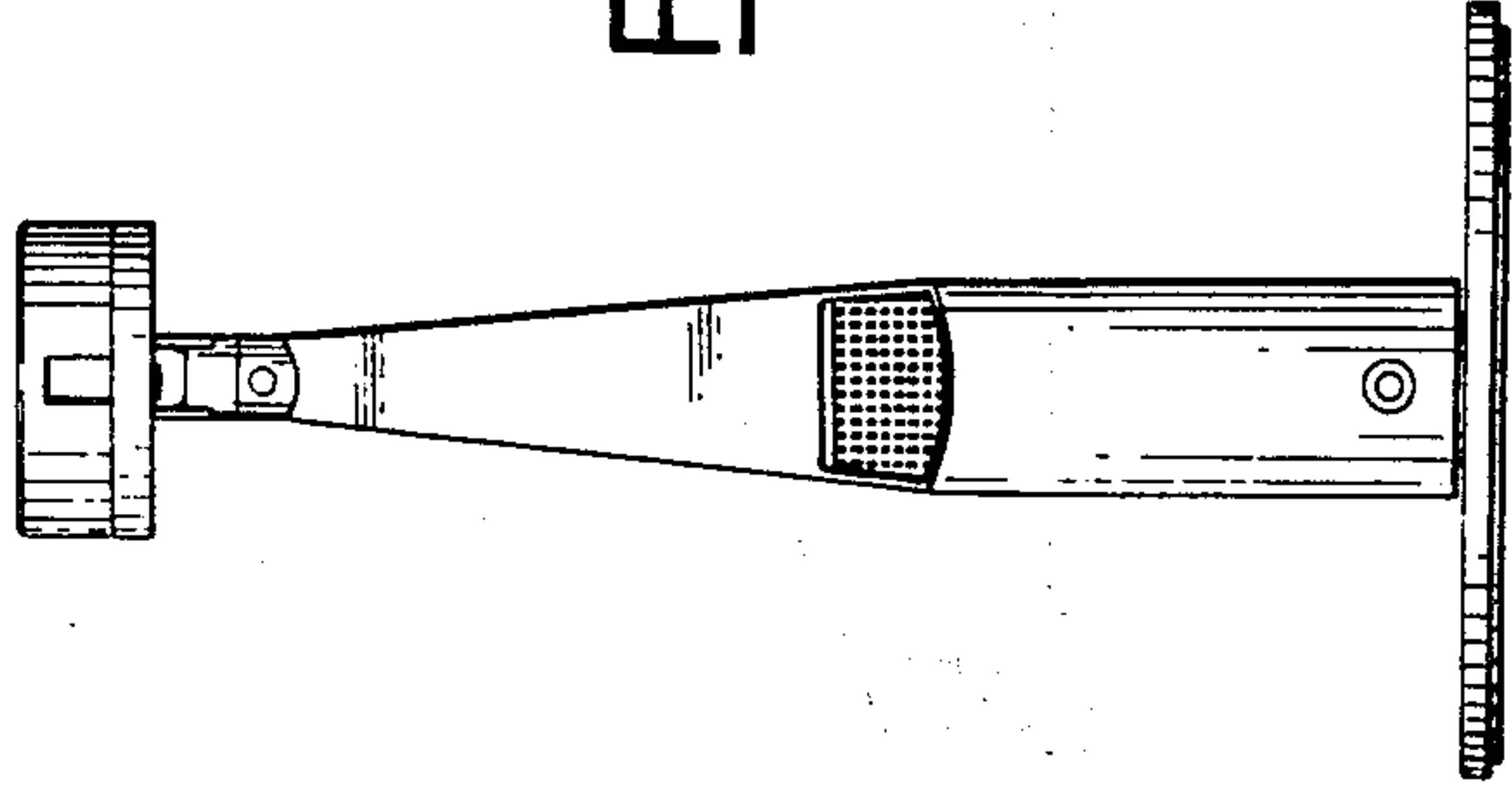


Fig. 6

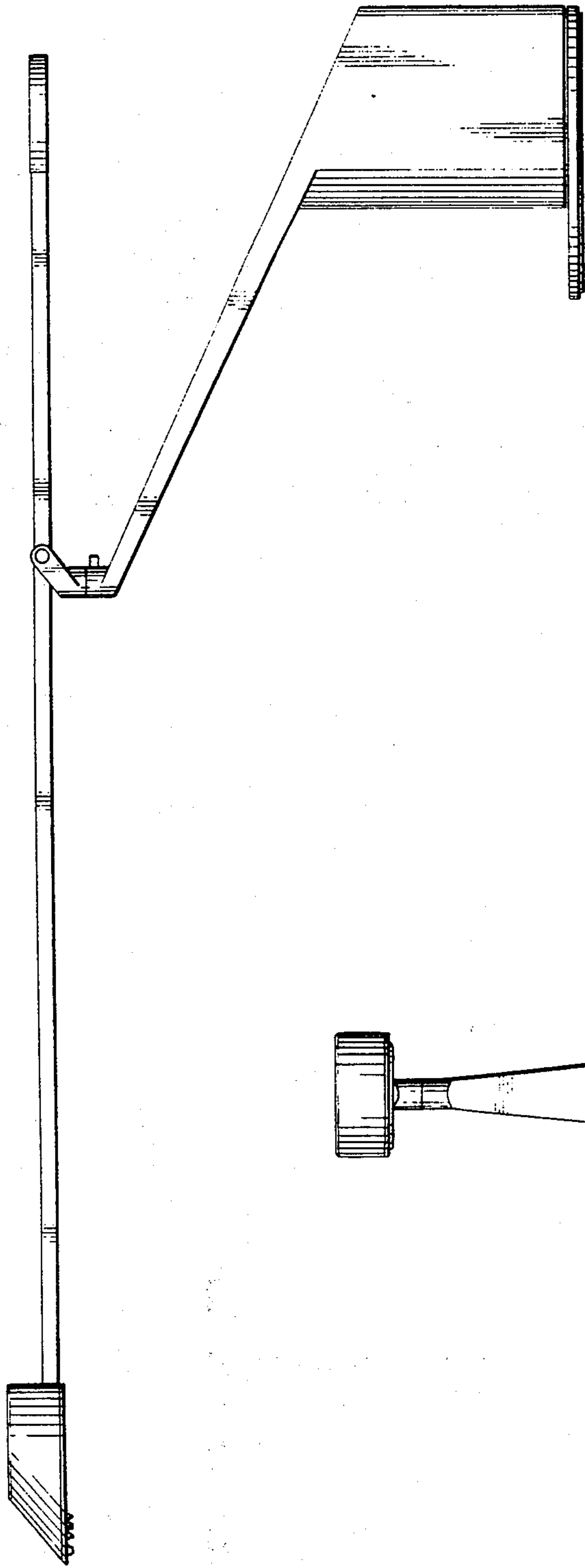


Fig. 8

