

[54] **TASK LIGHT**

[75] **Inventor: Niels Diffrient, Ridgefield, Conn.**

[73] **Assignee: Hauserman Inc., Cleveland, Ohio**

[**] **Term: 14 Years**

[21] **Appl. No.: 618,740**

[22] **Filed: Jun. 8, 1984**

[52] **U.S. Cl. D26/63**

[58] **Field of Search D26/60-66;
362/297, 310, 311, 410-414, 419, 432; 362/264,
275, 277, 285**

[56] **References Cited**

U.S. PATENT DOCUMENTS

D. 147,900 11/1947 Fanelli D26/60
1,680,469 8/1928 Morgan 362/432 X

OTHER PUBLICATIONS

Home Lighting & Accessories, 3-1982, p. 131, Kling
Metal Spinning & Stamping Co. Lamp.

Lighting Design & Application, 10-1978, p. 49, "Eye--
shade" series lamp.

Primary Examiner—Susan J. Lucas
Attorney, Agent, or Firm—Renner, Otto, Boisselle &
Lyon

[57] **CLAIM**

The ornamental design for a task light, substantially as
shown and described.

DESCRIPTION

FIG. 1 is a top plan view of task light showing my new
design;

FIG. 2 is a side elevational view thereof, the opposite
side being a mirror image;

FIG. 3 is a front elevational view thereof;

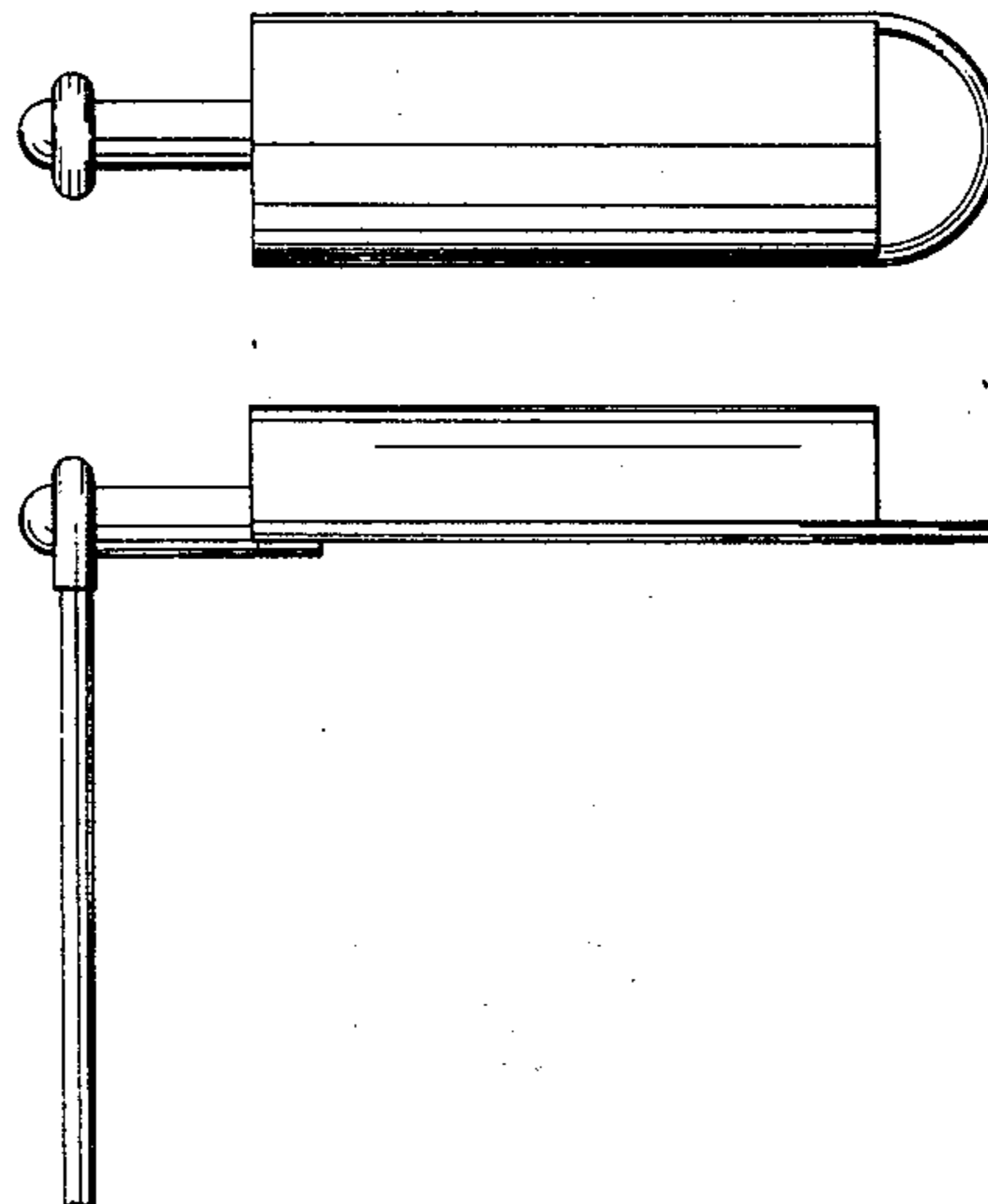
FIG. 4 is a rear elevational view thereof;

FIG. 5 is a top plan view of a second embodiment of my
new design;

FIG. 6 is a side elevational view thereof, the opposite
side being a mirror image;

FIG. 7 is a rear elevational view thereof; and

FIG. 8 is a front elevational view thereof.



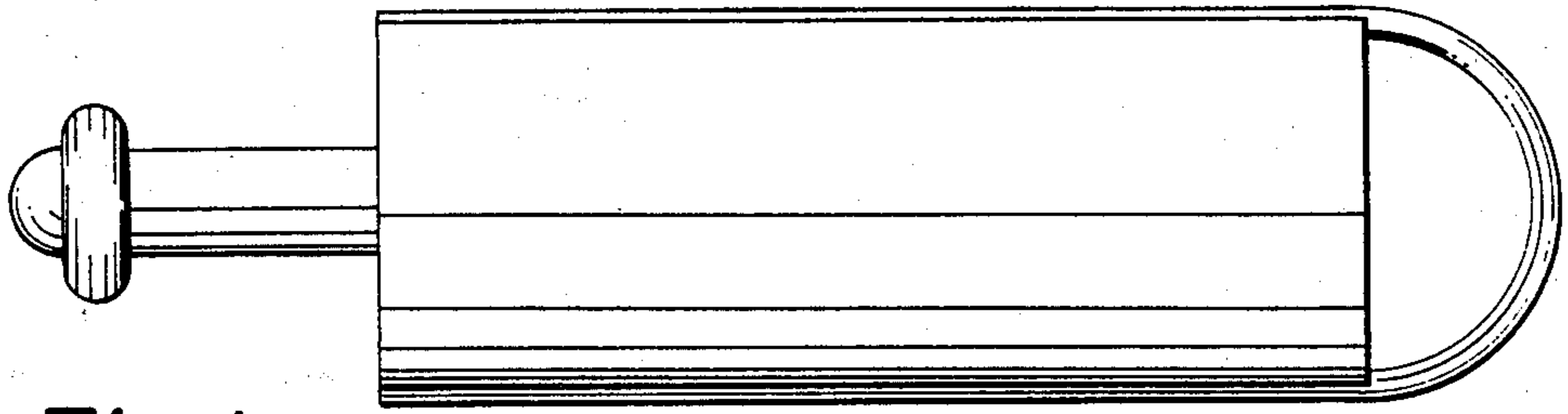


Fig. 1

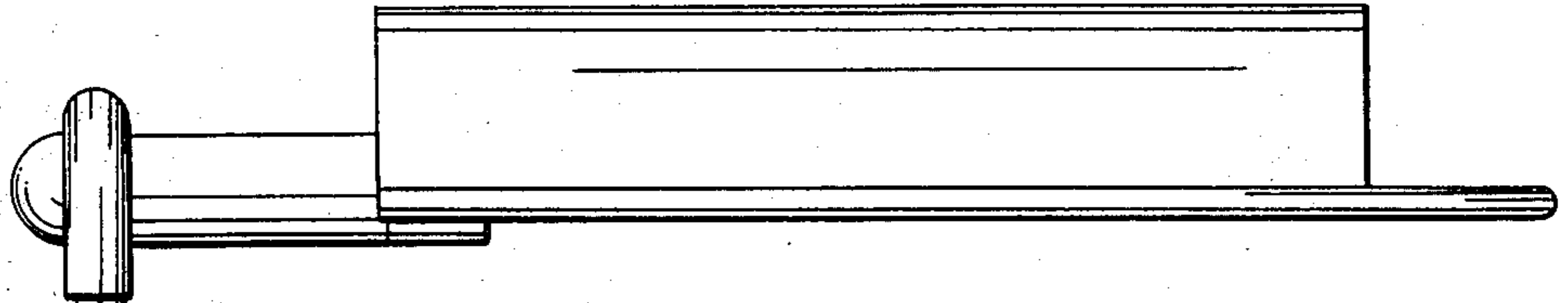


Fig. 2

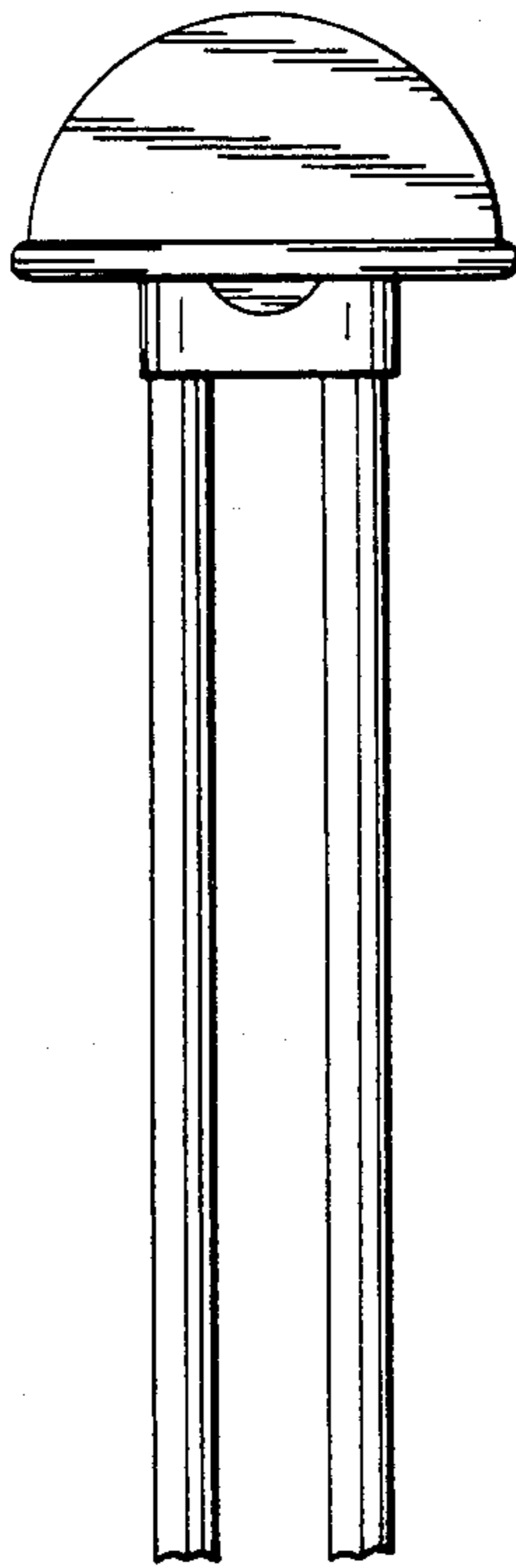
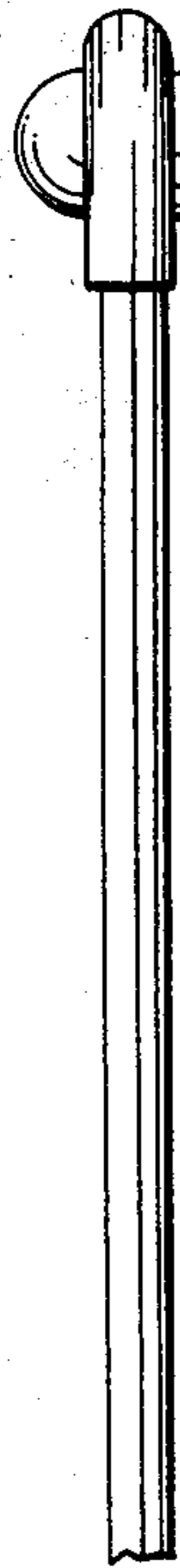


Fig. 3

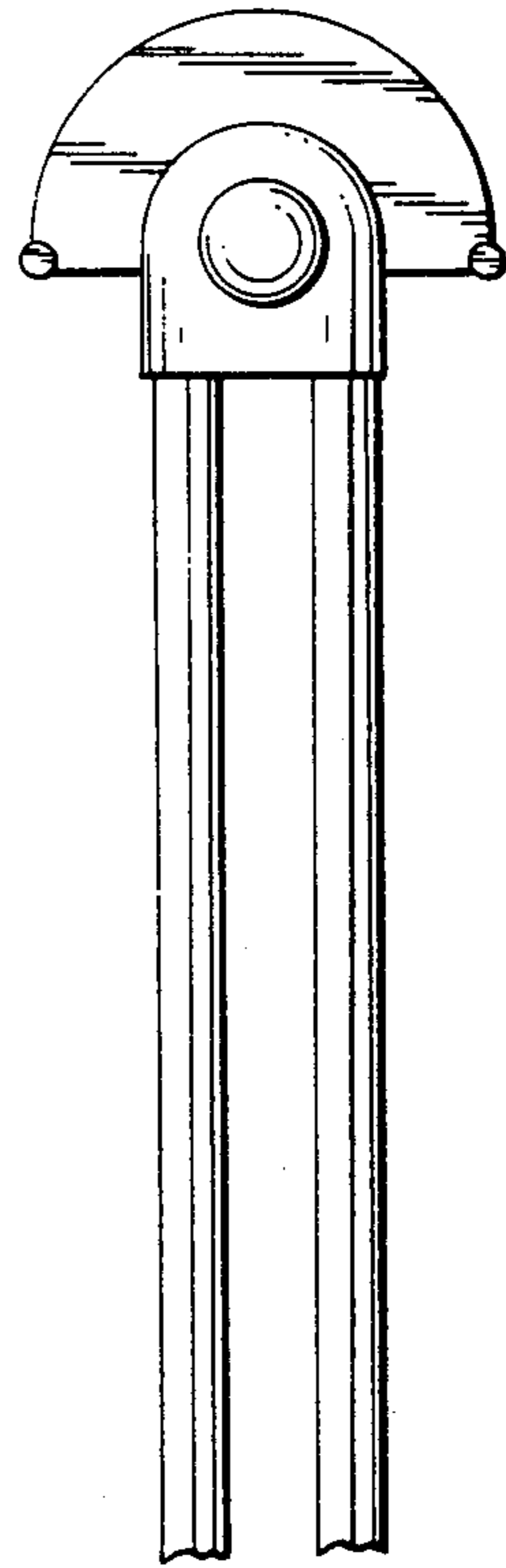


Fig. 4

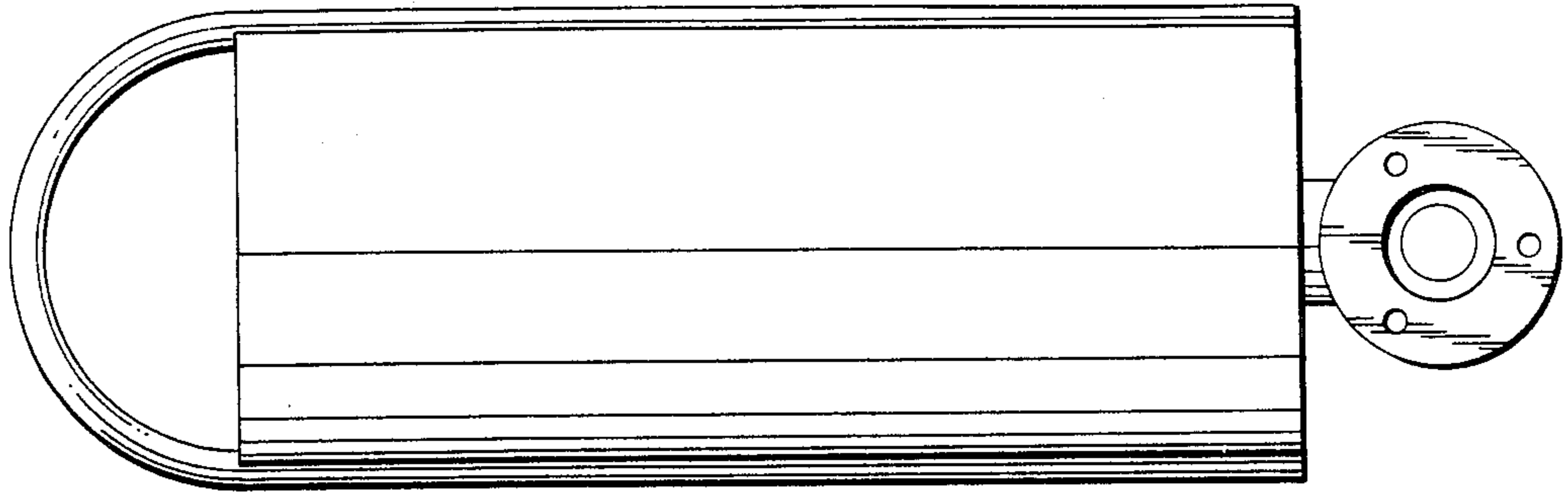


Fig. 5

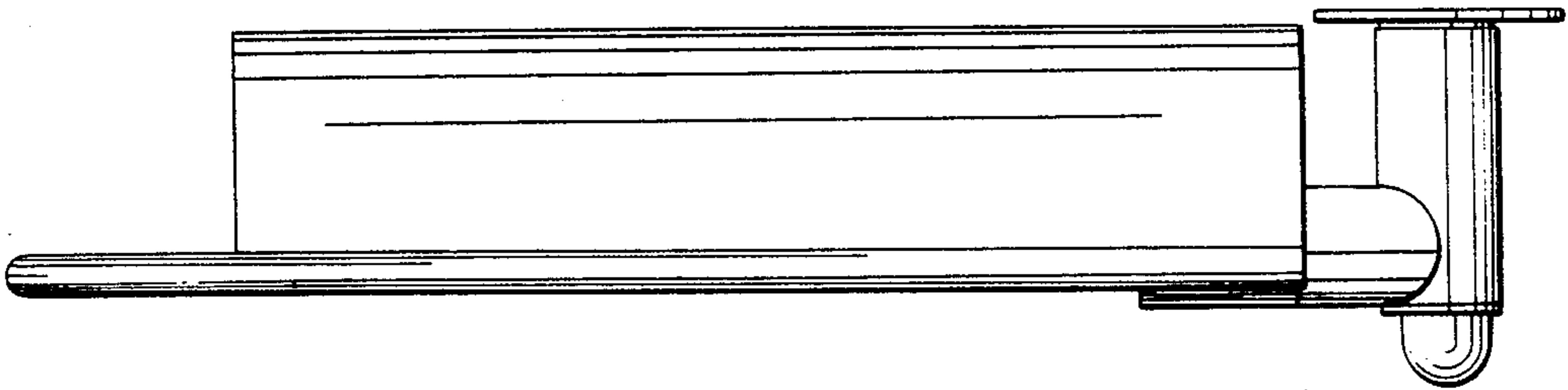


Fig. 6

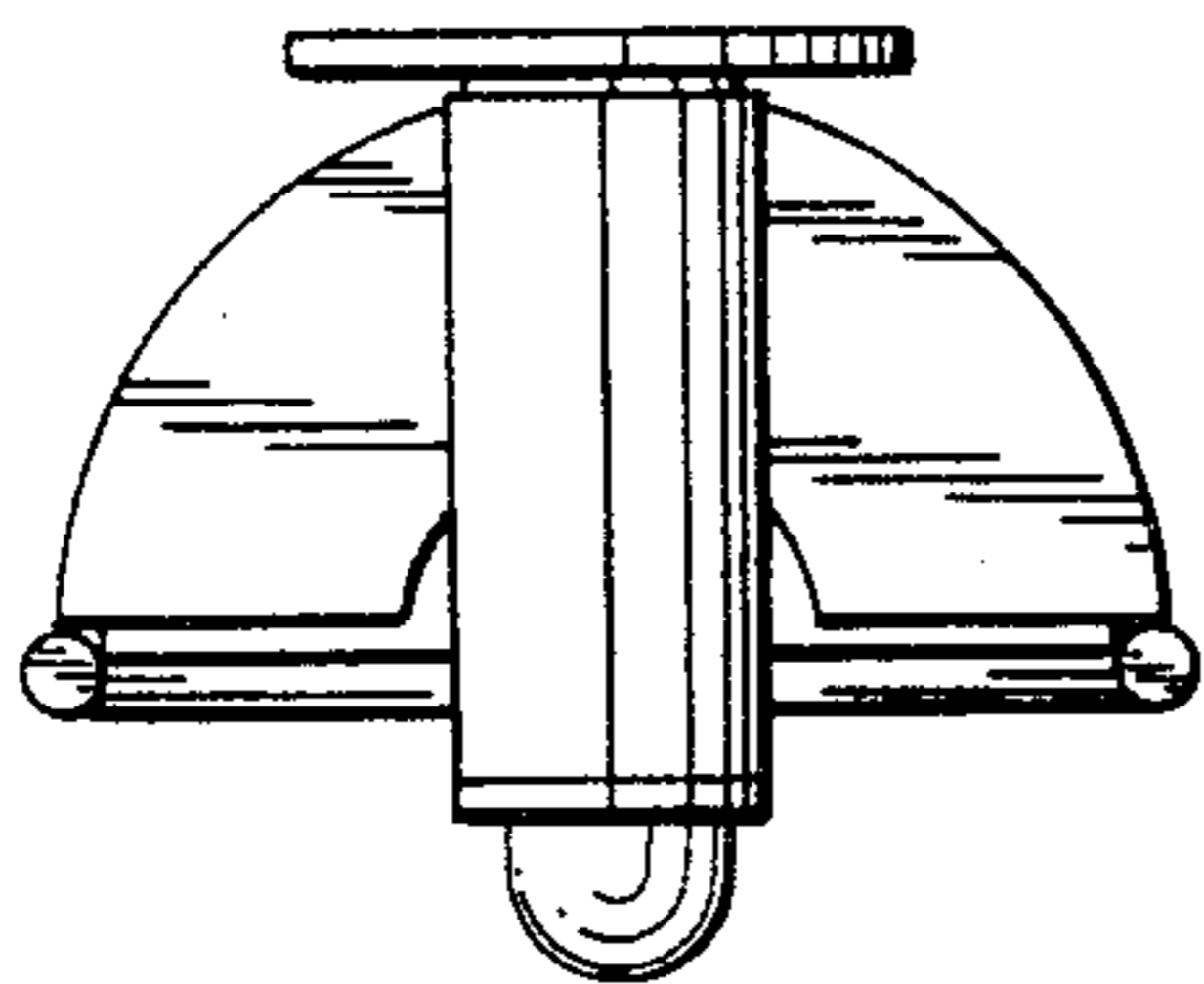


Fig. 7

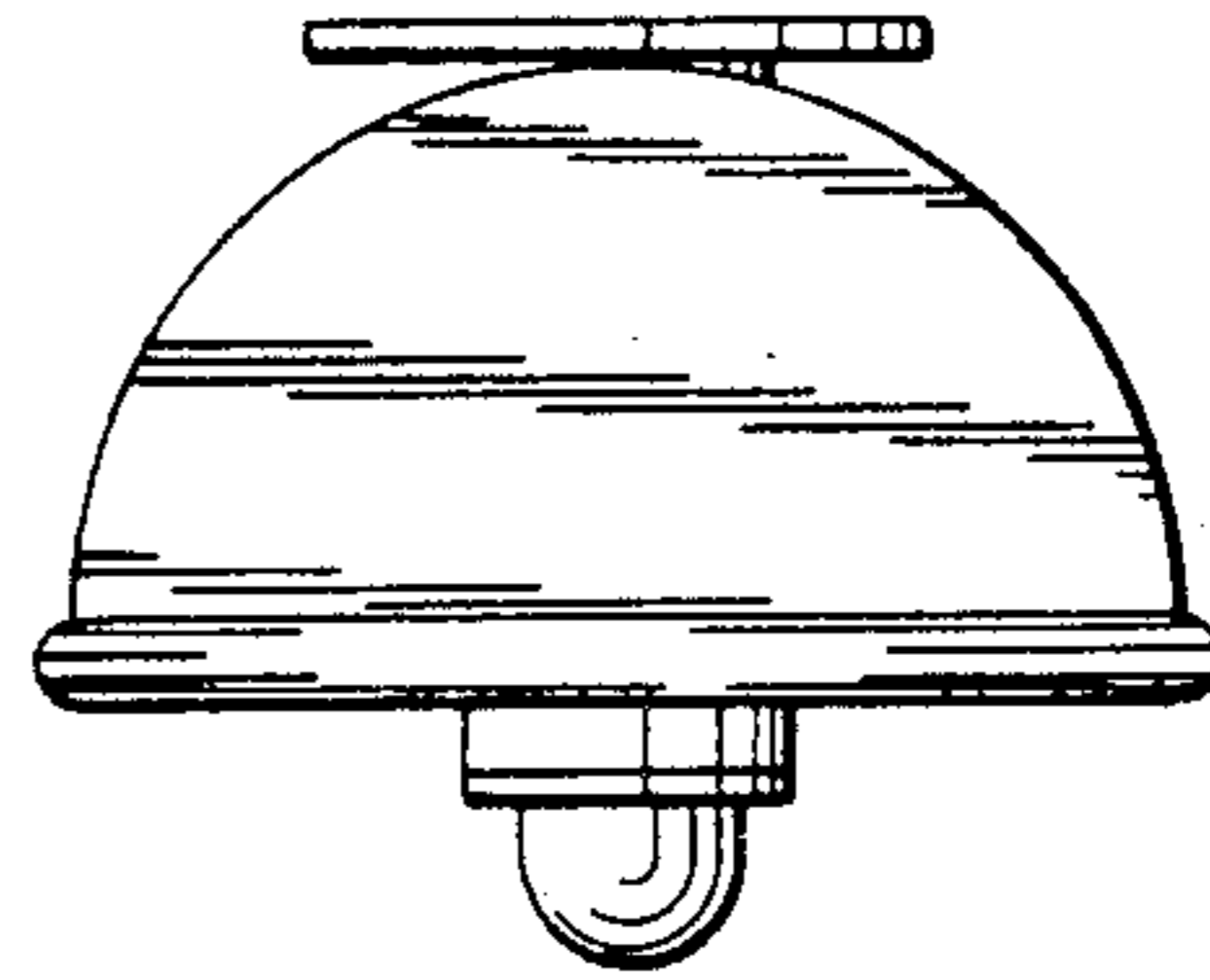


Fig. 8