

[54] **HAND LANTERN**

[75] **Inventor: John H. Drane, London, England**

[73] **Assignee: Duracell Inc., Bethel, Conn.**

[**] **Term: 14 Years**

[21] **Appl. No.: 571,242**

[22] **Filed: Jan. 16, 1984**

[30] **Foreign Application Priority Data**

Jul. 27, 1983 [GB] United Kingdom 1014319
[52] **U.S. Cl. D26/44; D26/50**
[58] **Field of Search D26/37-50;**
362/157, 158, 183-208

[56] **References Cited**

U.S. PATENT DOCUMENTS

D. 241,672 9/1976 Wolfe D26/37
D. 265,594 7/1982 Mann D26/37
D. 276,375 11/1984 Fenne D26/44
D. 279,222 6/1985 Drane D26/44
669,546 3/1901 Newgold D26/46 X

OTHER PUBLICATIONS

Hong Kong Enterprise, vol. 11, 1981, p. 230, Flying Dragon Metal Products, Lantern #FD808P.

Primary Examiner—Susan J. Lucas
Attorney, Agent, or Firm—Ronald S. Cornell; Israel Nissenbaum

[57] **CLAIM**

The ornamental design for a hand lantern, as shown and described.

DESCRIPTION

FIG. 1 is a perspective view taken from the front, top and side of the hand lantern showing my new design with the handle in lowered position and the side cover closed.

FIG. 2 is another perspective view from the front, top and side of the lantern and showing the handle in raised position with the side cover in open position.

FIG. 3 is a top view of the lantern as shown in FIG. 2.

FIG. 4 is a side view thereof with the handle in lowered position.

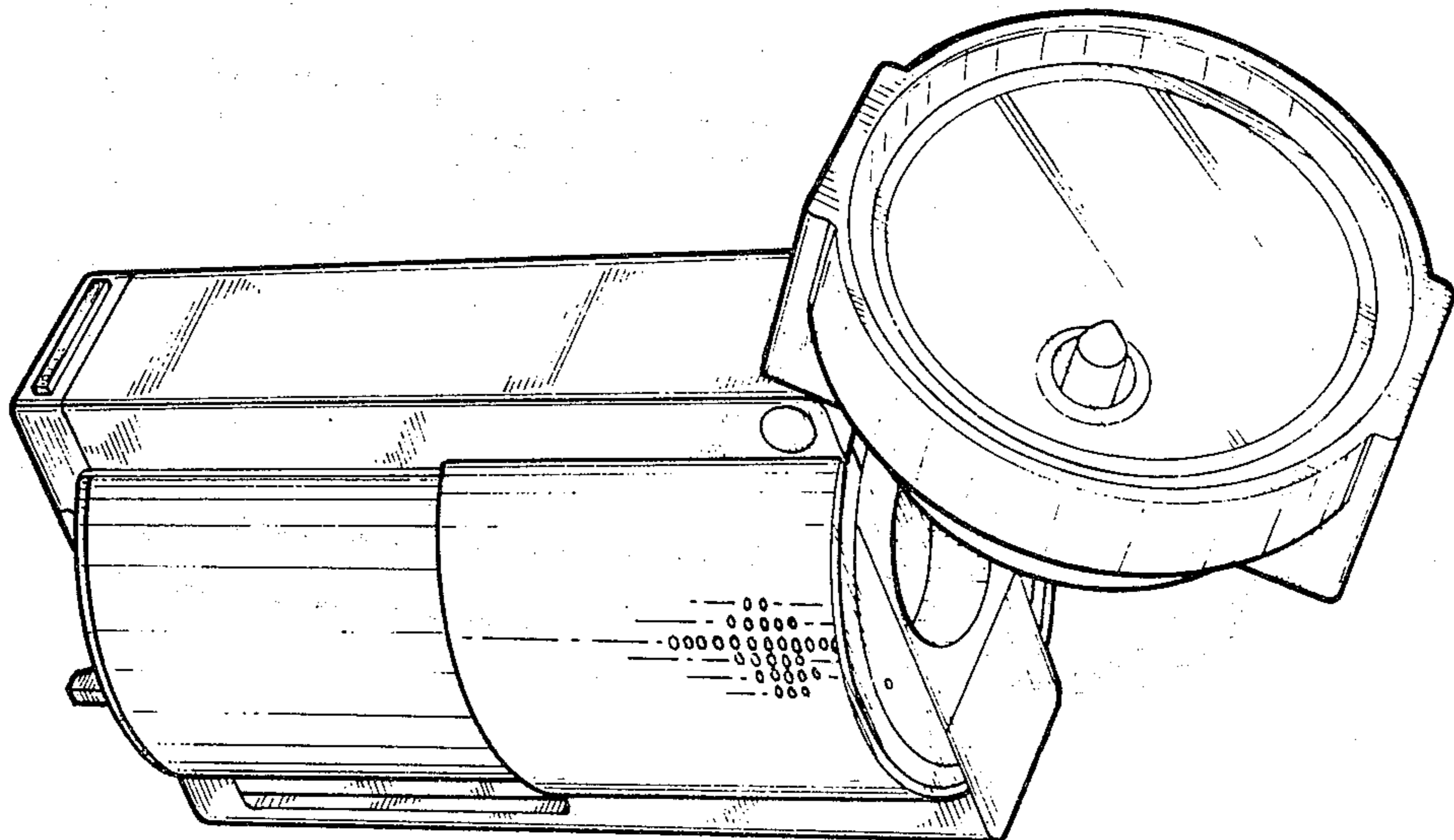
FIG. 5 is a perspective view taken from the front, bottom and side with the side cover closed and the lamp holder in an alternative position in which it has been partially swivelled.

FIG. 6 is a perspective view taken from the top, side and back of the lantern showing the handle in lowered position, the side cover closed and the carrying loop raised.

FIG. 7 is a front view of the lantern with the lamp holder in unswivelled position.

FIG. 8 is a back view of the lantern with the carrying loop in raised position and the lamp holder in unswivelled position.

FIG. 9 is a bottom view of the lantern with the side cover in closed position with the carrying loop raised. The opposite side of the hand lantern is a mirror image of the side shown in FIGS. 1, 2, 4, 5 and 6.



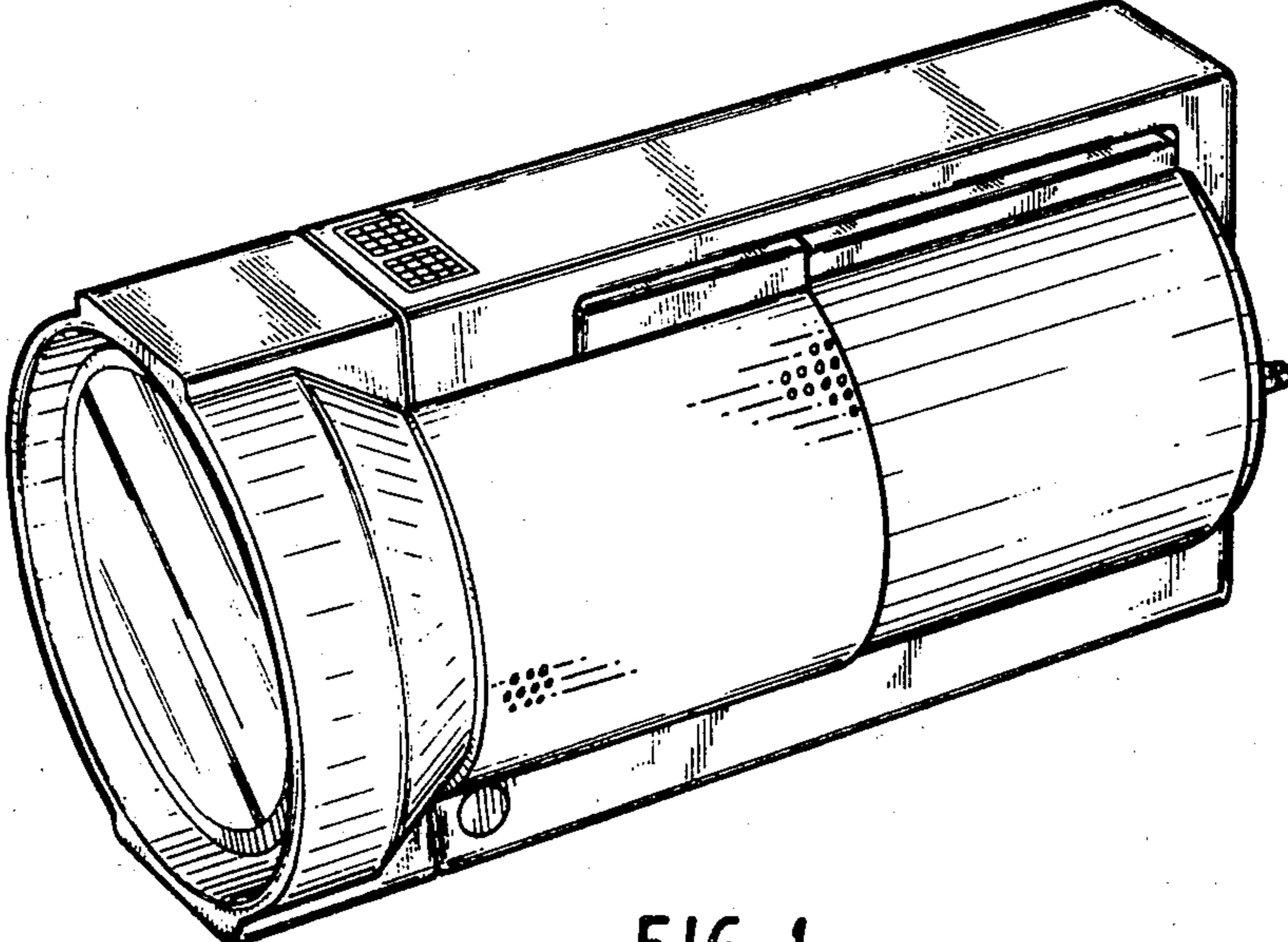


FIG. 1

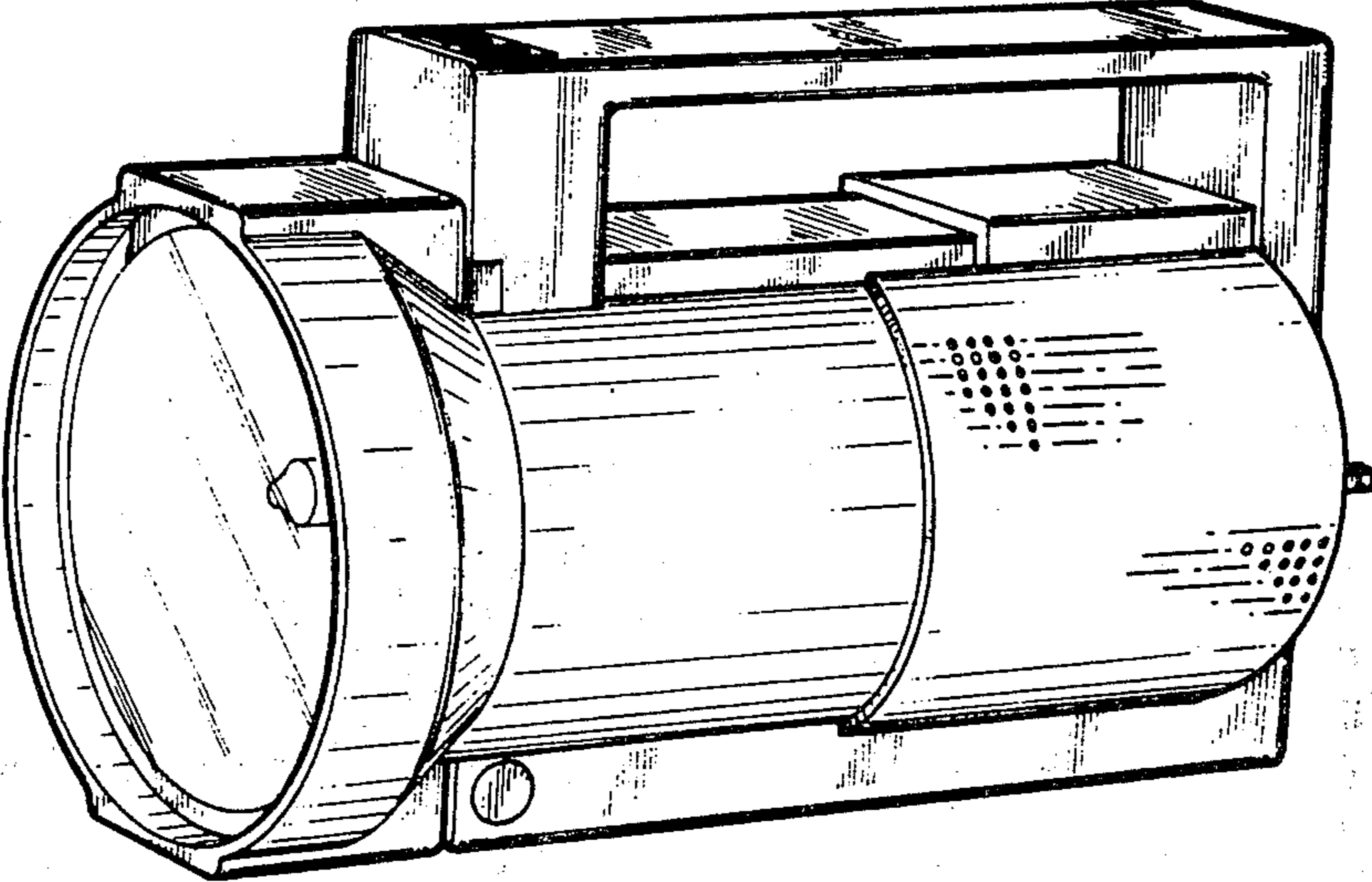


FIG. 2

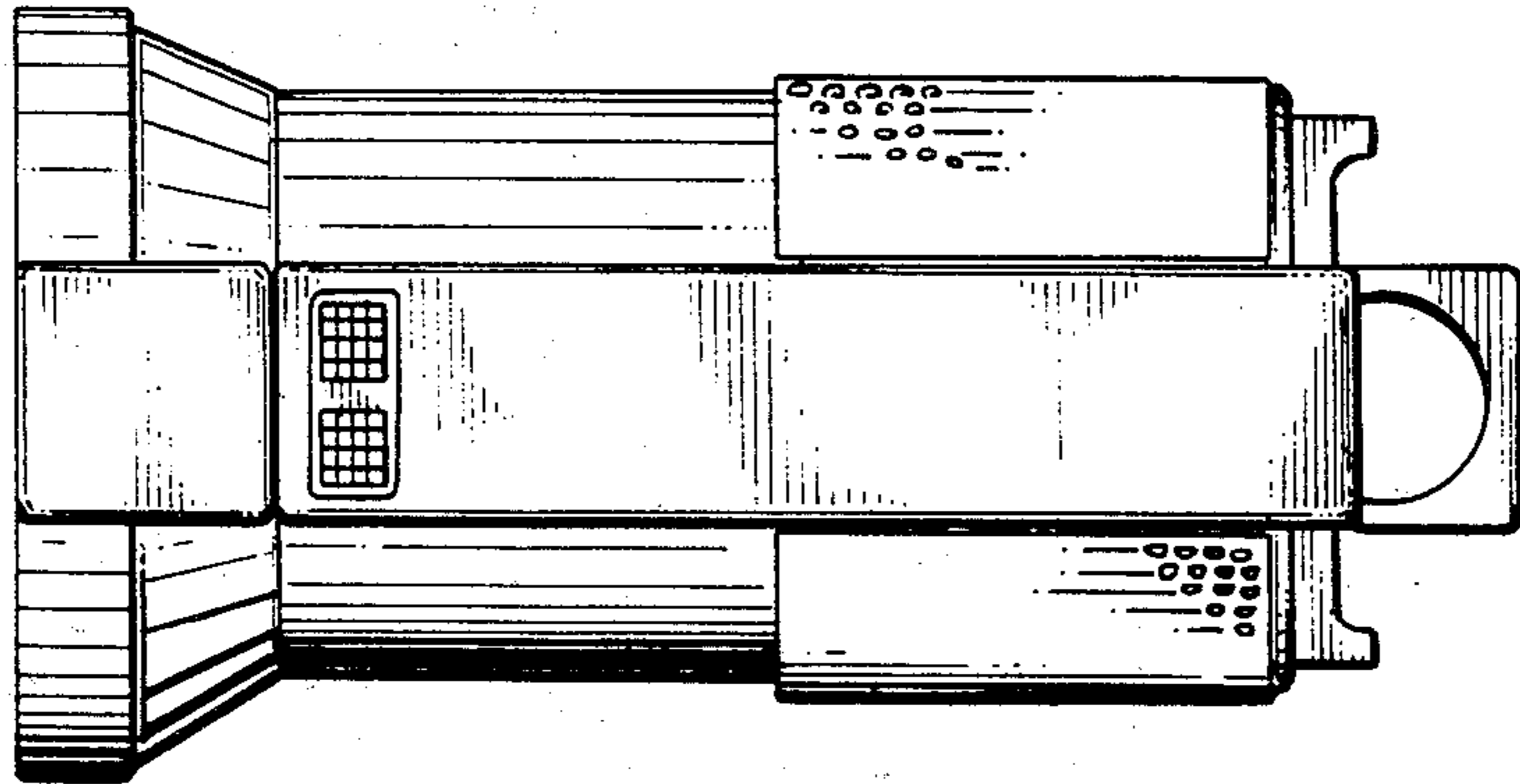


FIG. 3

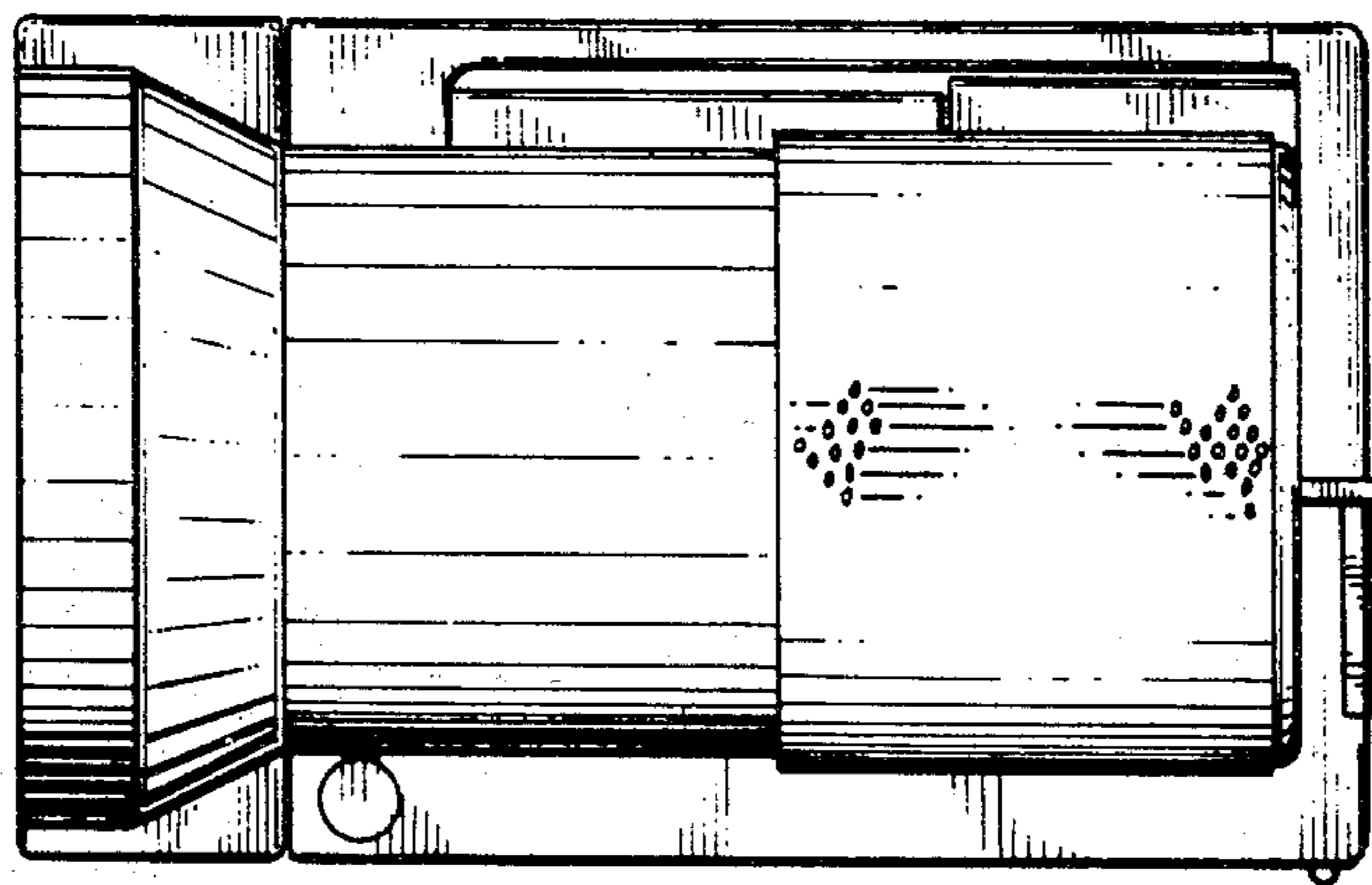


FIG. 4

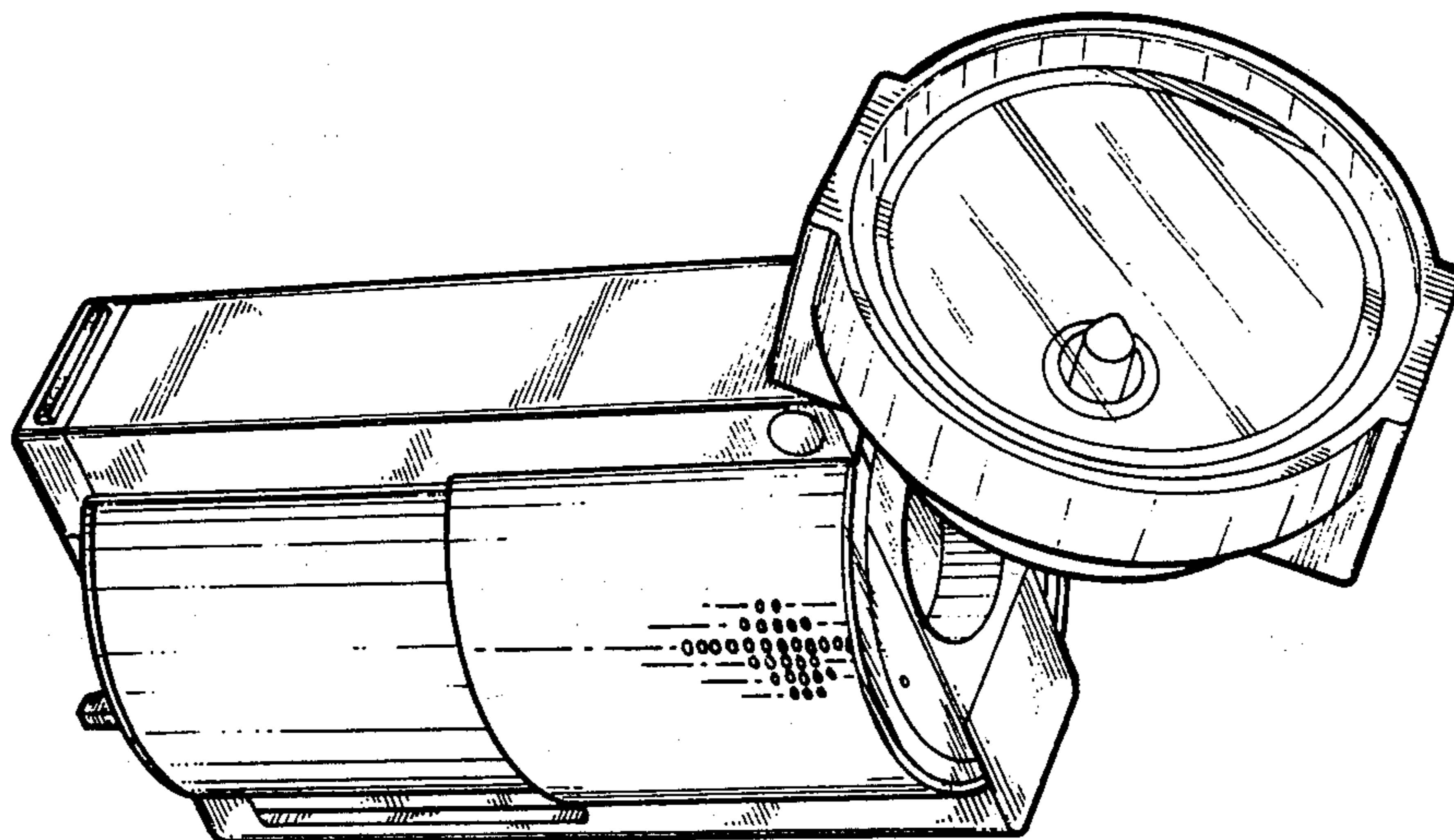


FIG. 5

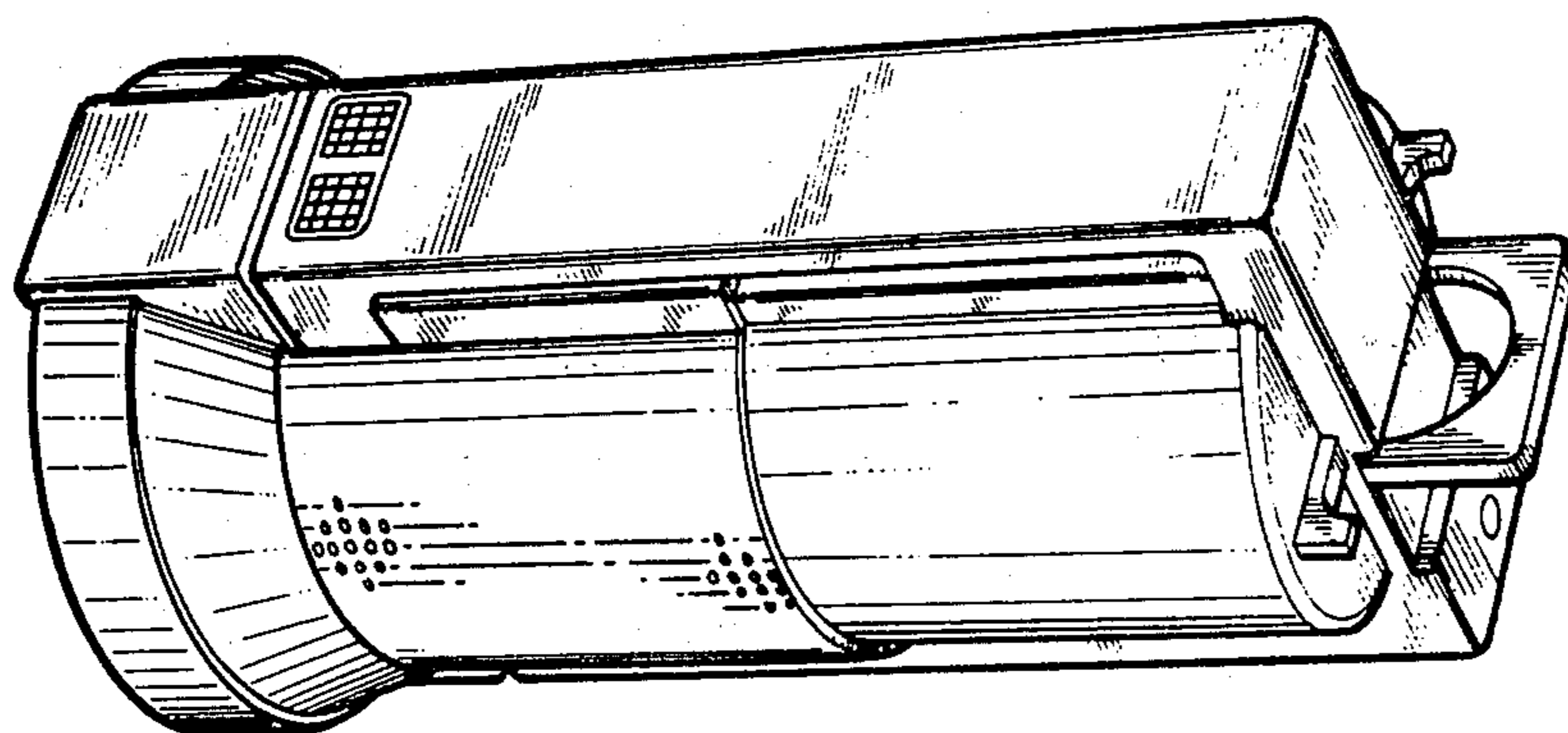


FIG. 6

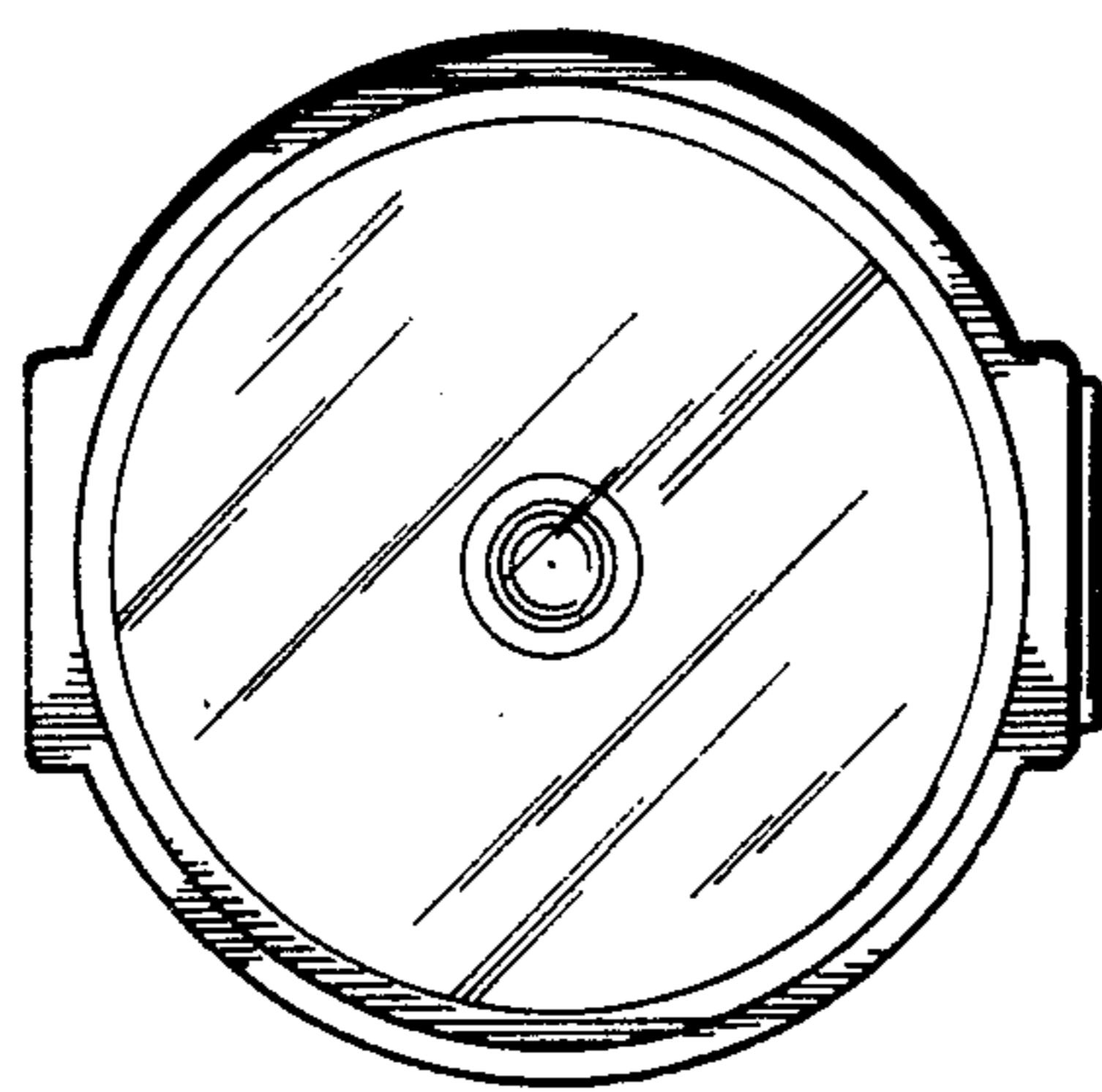


FIG. 7

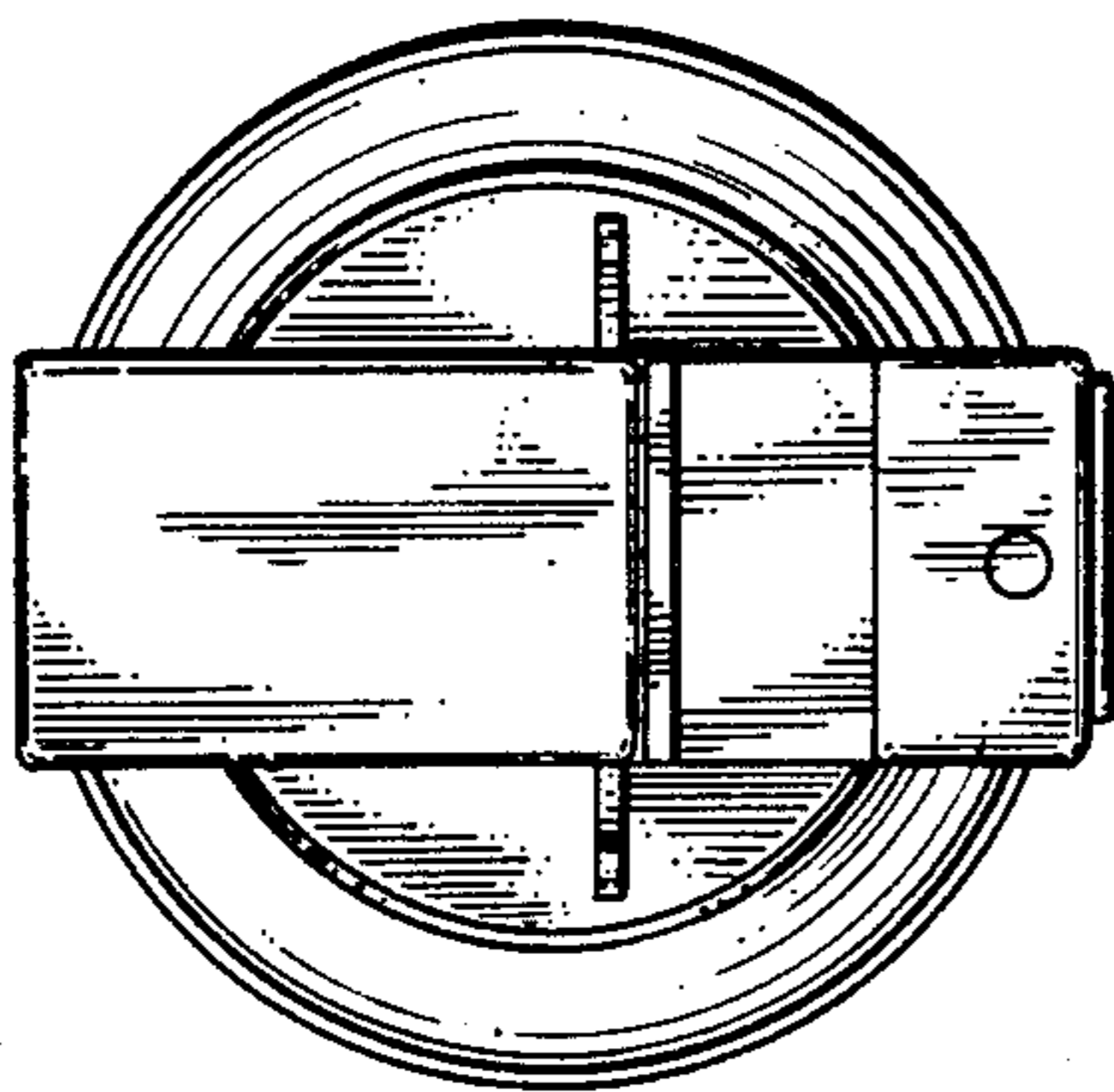


FIG. 8

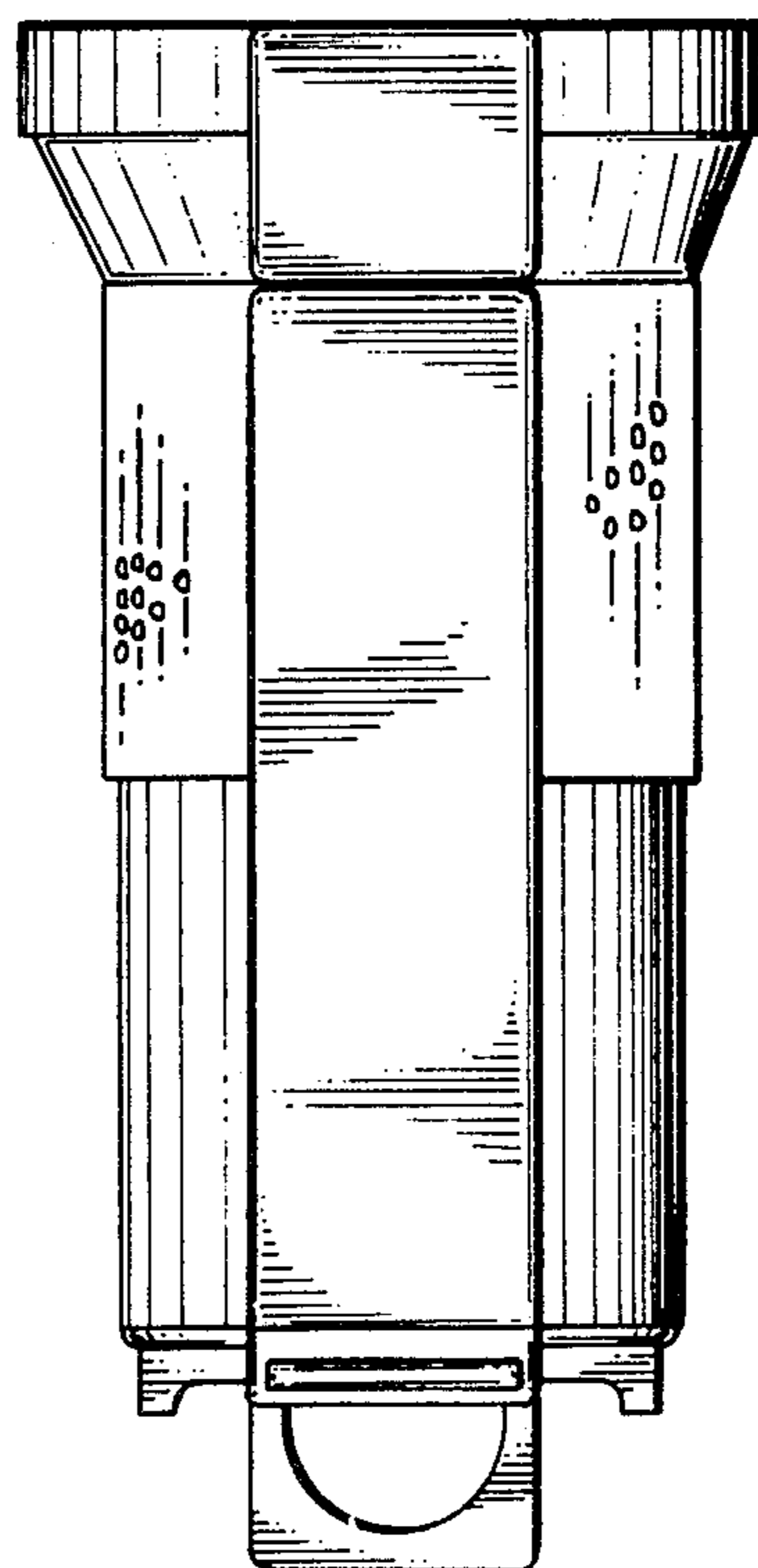


FIG. 9