

[54] RECHARGEABLE LIGHT

[75] Inventor: Donald R. McCloskey, Trappe, Md.

[73] Assignee: Black & Decker, Inc., Newark, Del.

[**] Term: 14 Years

[21] Appl. No.: 504,411

[22] Filed: Jun. 15, 1983

[52] U.S. Cl. D26/37

[58] Field of Search D26/37-50;
362/157, 158, 183-208; 320/2; D13/5, 6

[56] References Cited

U.S. PATENT DOCUMENTS

D. 18,475	8/1970	Allyn	D26/45
D. 27,597	6/1941	Wyatt	D26/39
D. 29,089	11/1973	Boucher	D26/37
D. 34,803	4/1975	Bacevius	D26/37
D. 35,573	6/1975	Brych	D26/37
3,261,973	7/1966	Kott	362/183
3,517,185	6/1970	Moore et al.	362/183
4,052,610	10/1977	Sternlicht	362/197 X

OTHER PUBLICATIONS

People Protection Products' Handheld light No. 1. (PHOTOGRAPH).

People Protection Products' handheld light No. 2. (PHOTOGRAPH).

The Interquartz emergency light. (BROCHURE).

The LITE A LIFE. (BROCHURE).

The AUTOMATIC NIGHT LIGHT and POWER FAILURE LIGHT. (BROCHURE).

The DARK BLAZER PF2 by Nicholl Brothers. (BROCHURE).

The DARK BLAZER PF3 by Nicholl Brothers. (BROCHURE).

The Sanyo POWER FAILURE LIGHT. (BROCHURE).

The LIGHTS UP. (BROCHURE).

Primary Examiner—Susan J. Lucas

Attorney, Agent, or Firm—Finnegan, Henderson,

Farabow, Garrett & Dunner

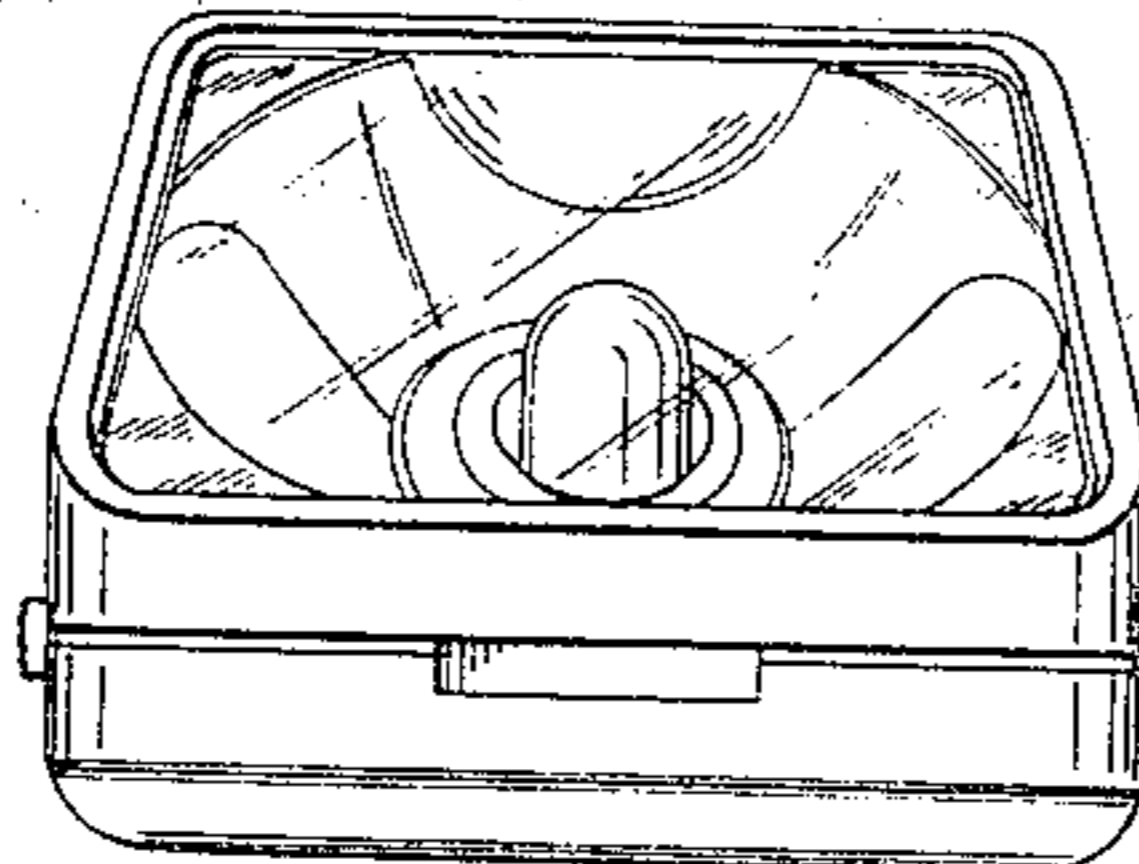
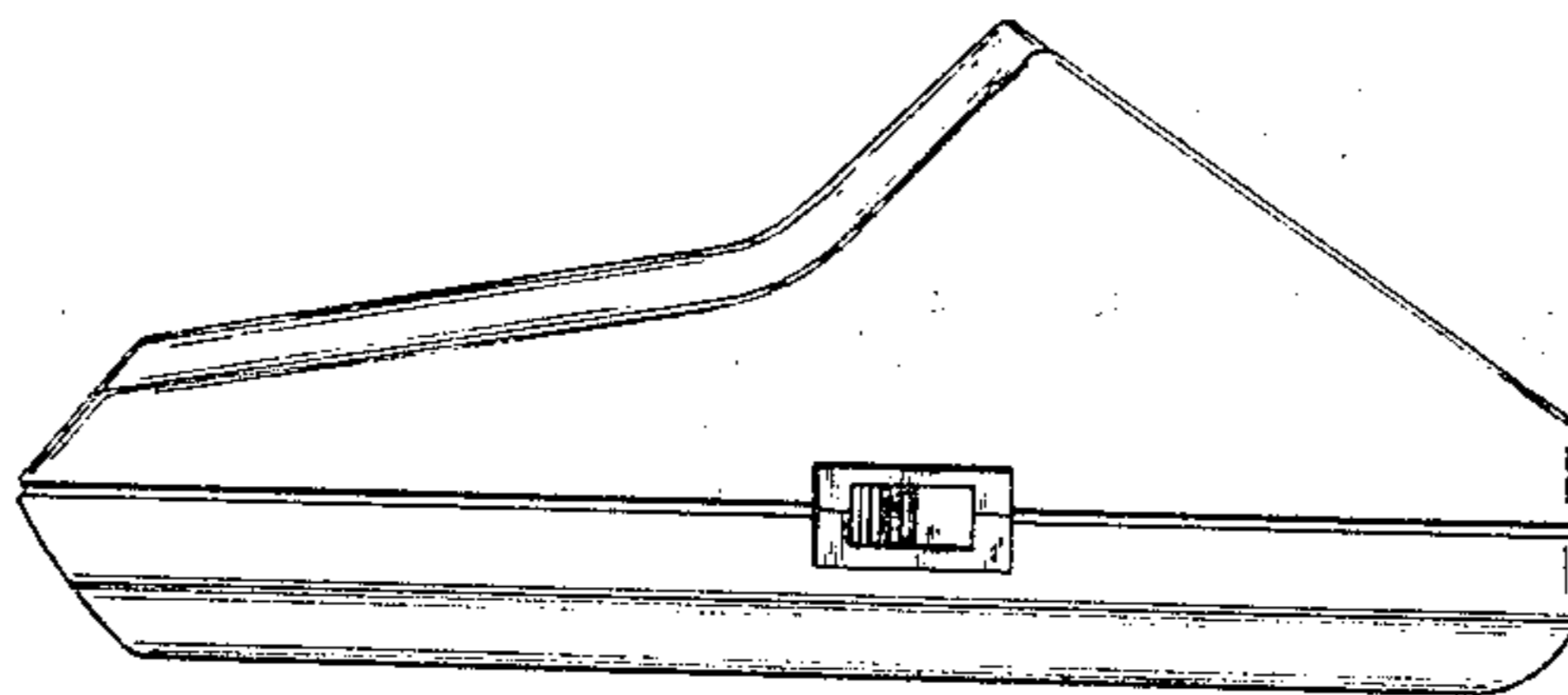
[57] CLAIM

The ornamental design for a rechargeable light, as shown.

DESCRIPTION

FIG. 1 is a left-side view of a rechargeable light showing my new design; and

FIGS. 2, 3, 4, 5, and 6 are, respectively, right side view, opposite end elevational views, top view and bottom view thereof.



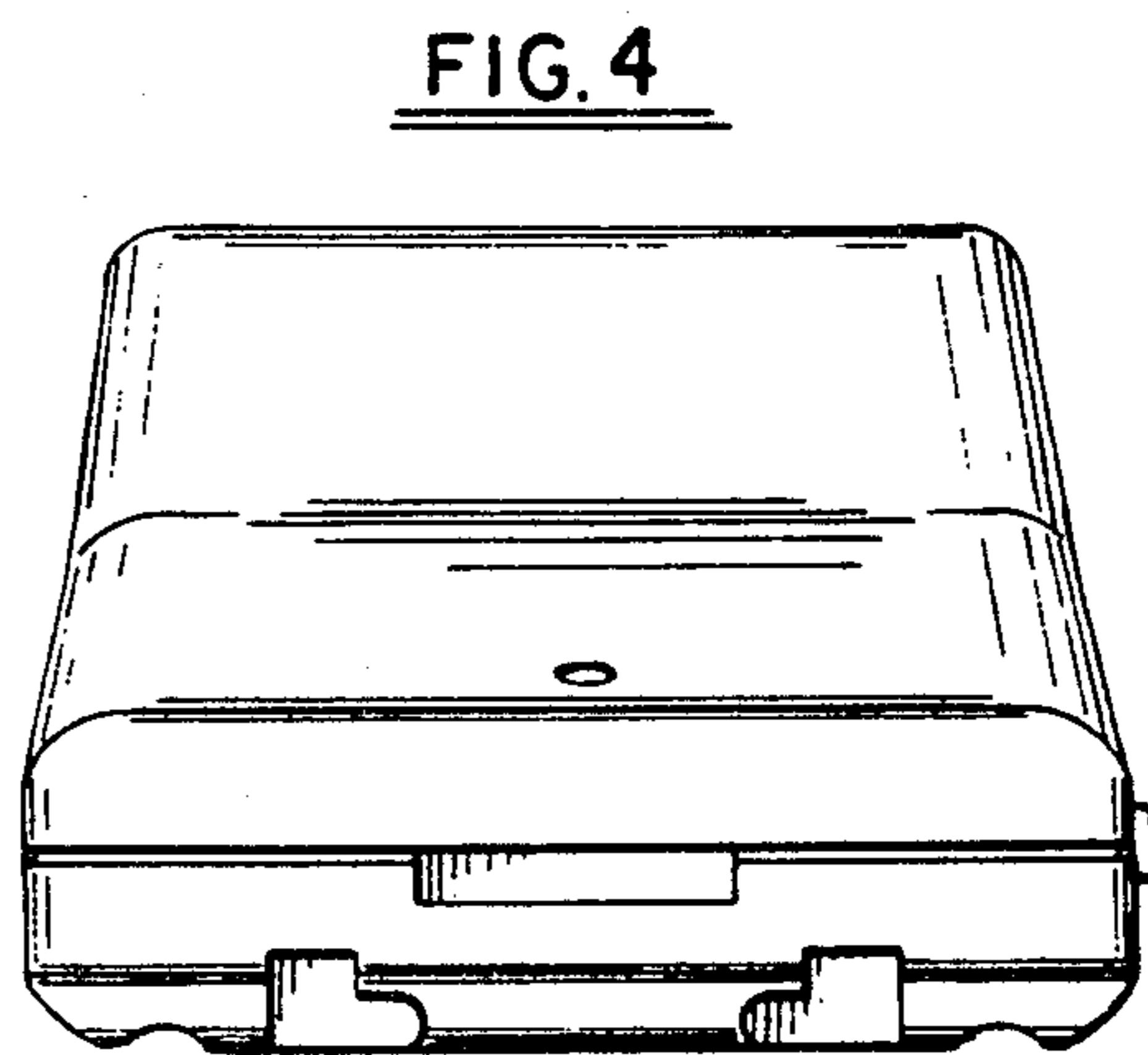
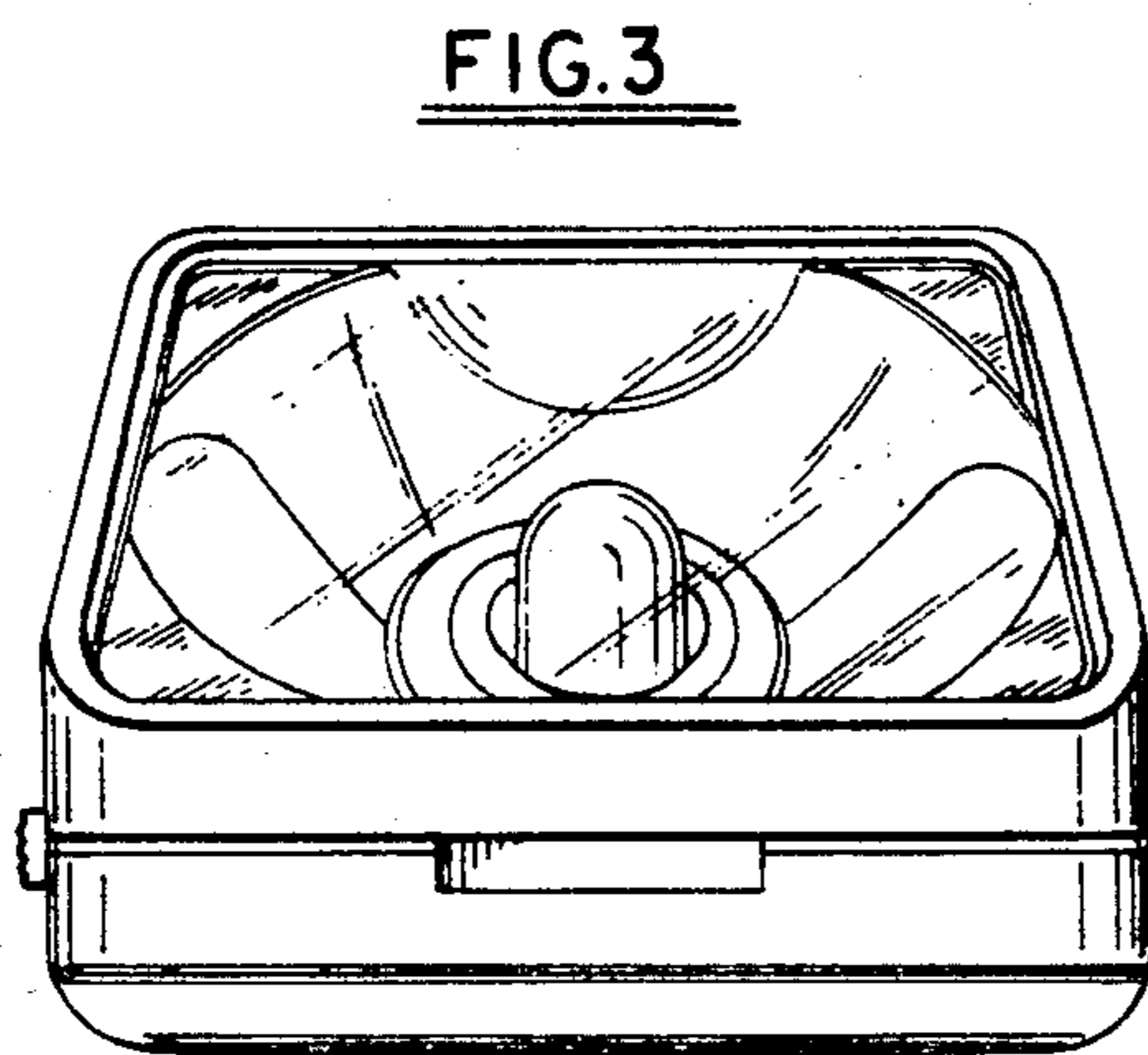
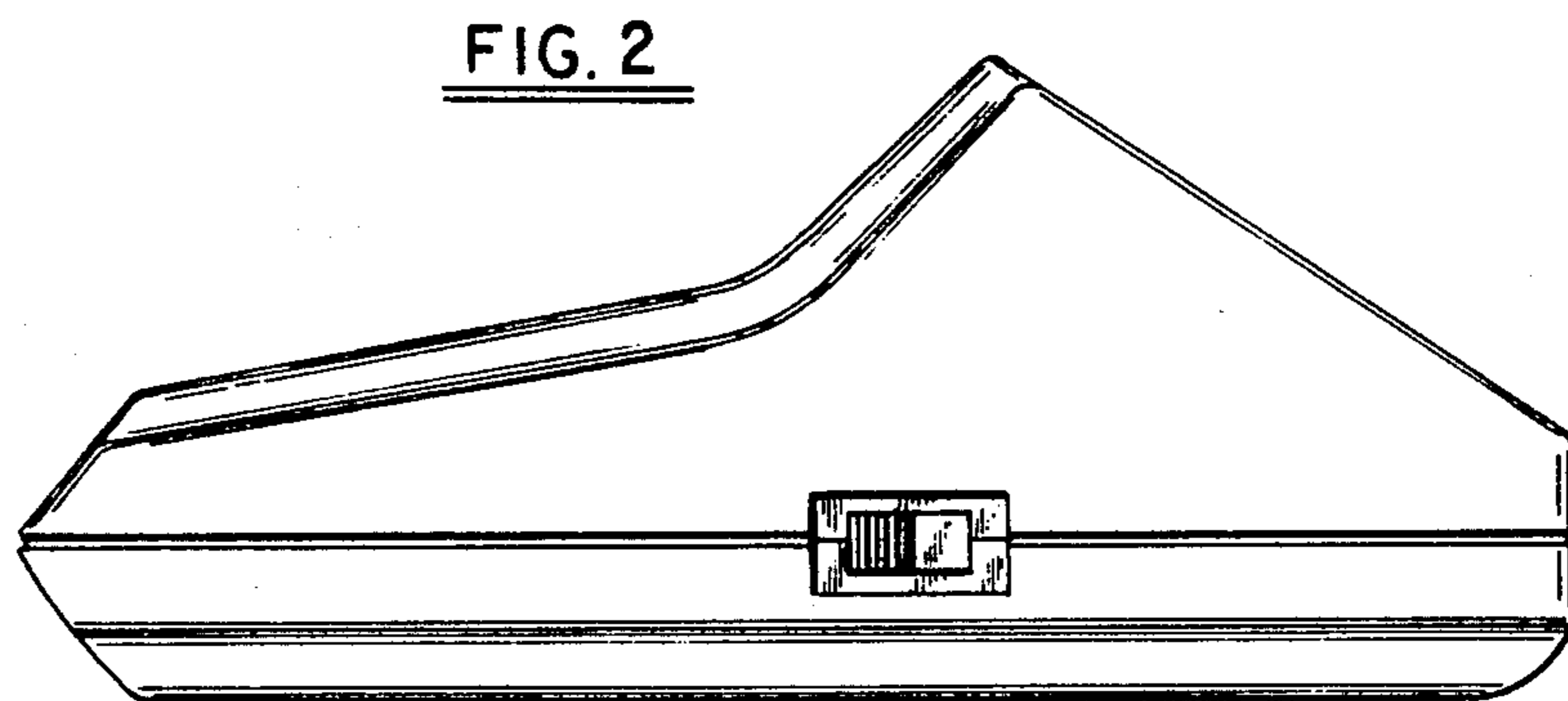
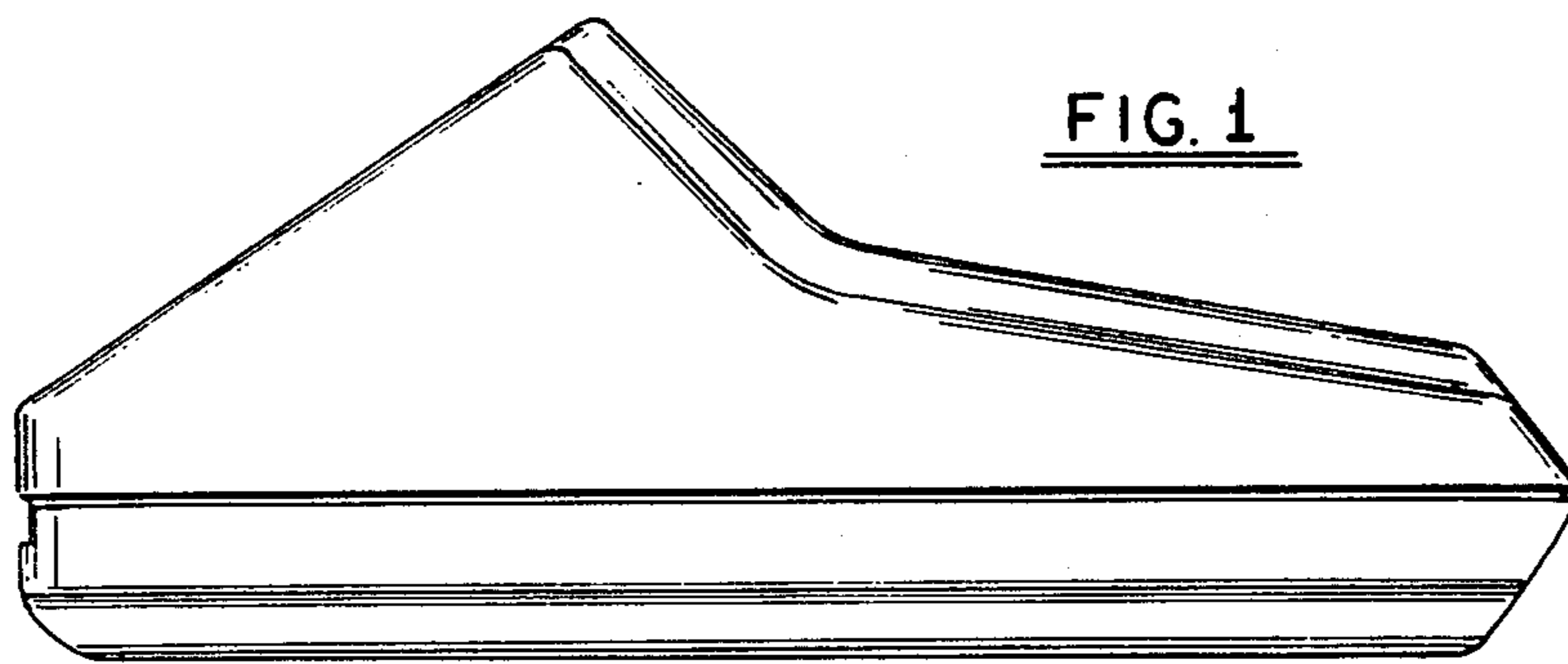


FIG. 5

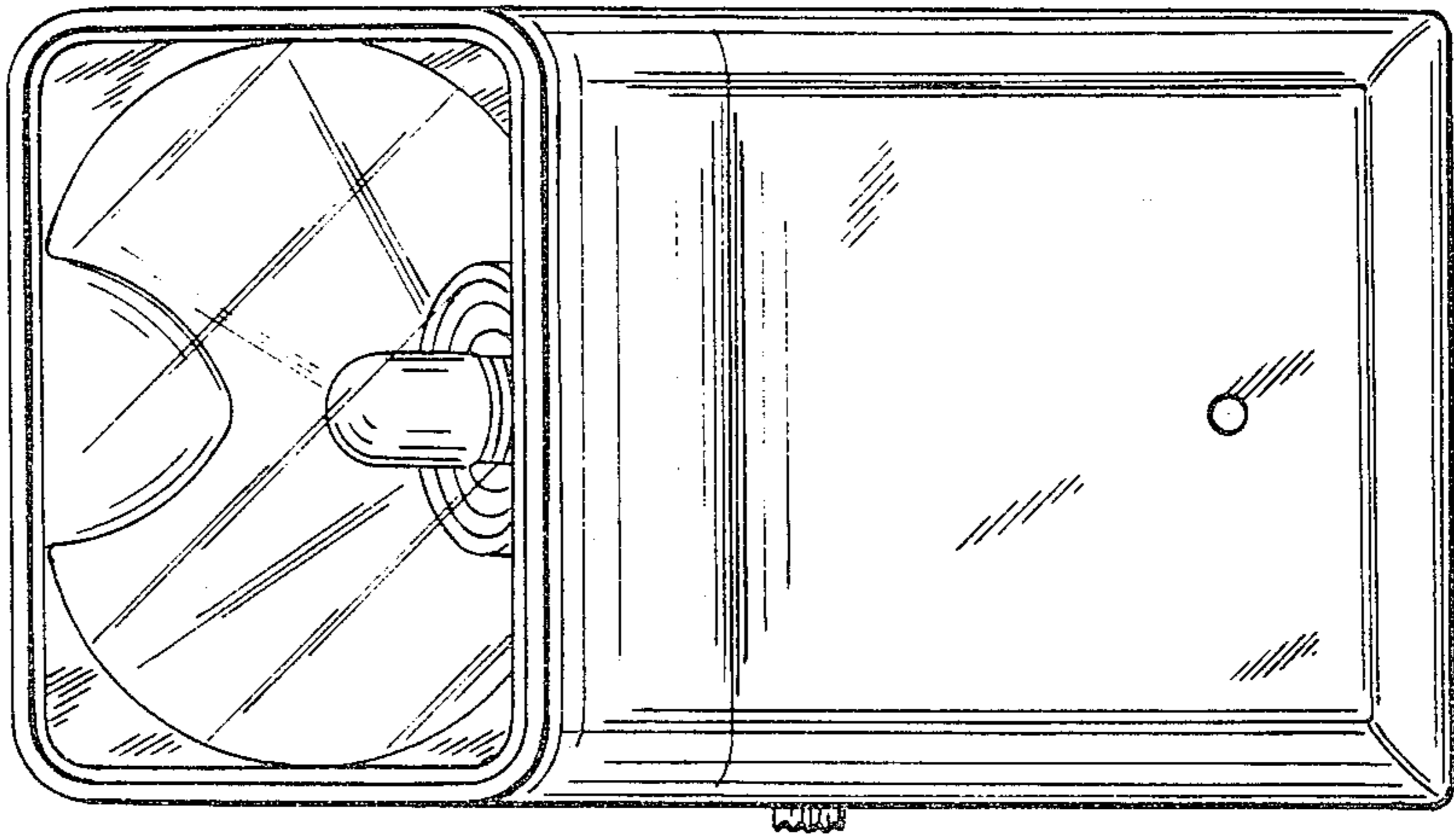


FIG. 6

