

[54] GREAT TOE METATARSAL PHALANGEAL IMPLANT

[75] Inventors: Guido A. Laporta, Scranton, Pa.; James M. Christensen, San Diego, Calif.

[73] Assignee: Sutter Bio-Medical, Inc., San Diego, Calif.

[**] Term: 14 Years

[21] Appl. No.: 475,356

[22] Filed: Mar. 14, 1983

[52] U.S. Cl. D24/33

[58] Field of Search D24/33; 128/92 C; 3/1.91

[56] References Cited

U.S. PATENT DOCUMENTS

- D. 277,509 2/1985 Lawrence et al. D24/33
- 3,462,765 8/1969 Swanson 128/92 C X

- 3,593,342 7/1971 Niebauer 128/92 C X
- 3,992,726 11/1976 Freenman et al. 3/1.91
- 4,204,284 5/1980 Kooeneman 3/1.91
- 4,246,662 1/1981 Pastrick 3/1.91

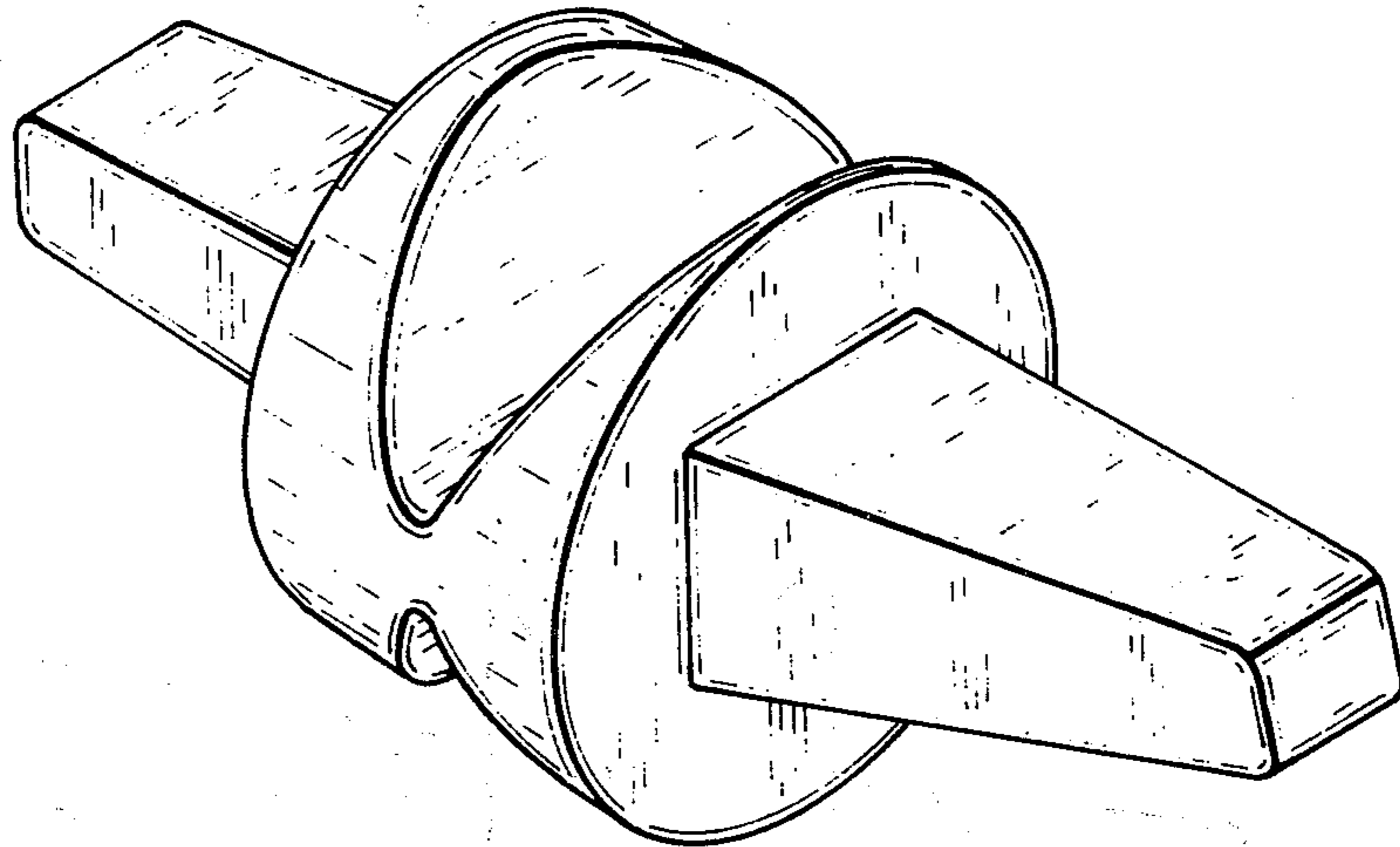
Primary Examiner—A. Hugo Word
Assistant Examiner—Stella M. Reid
Attorney, Agent, or Firm—Flehr, Hohbach, Test, Albritton & Herbert

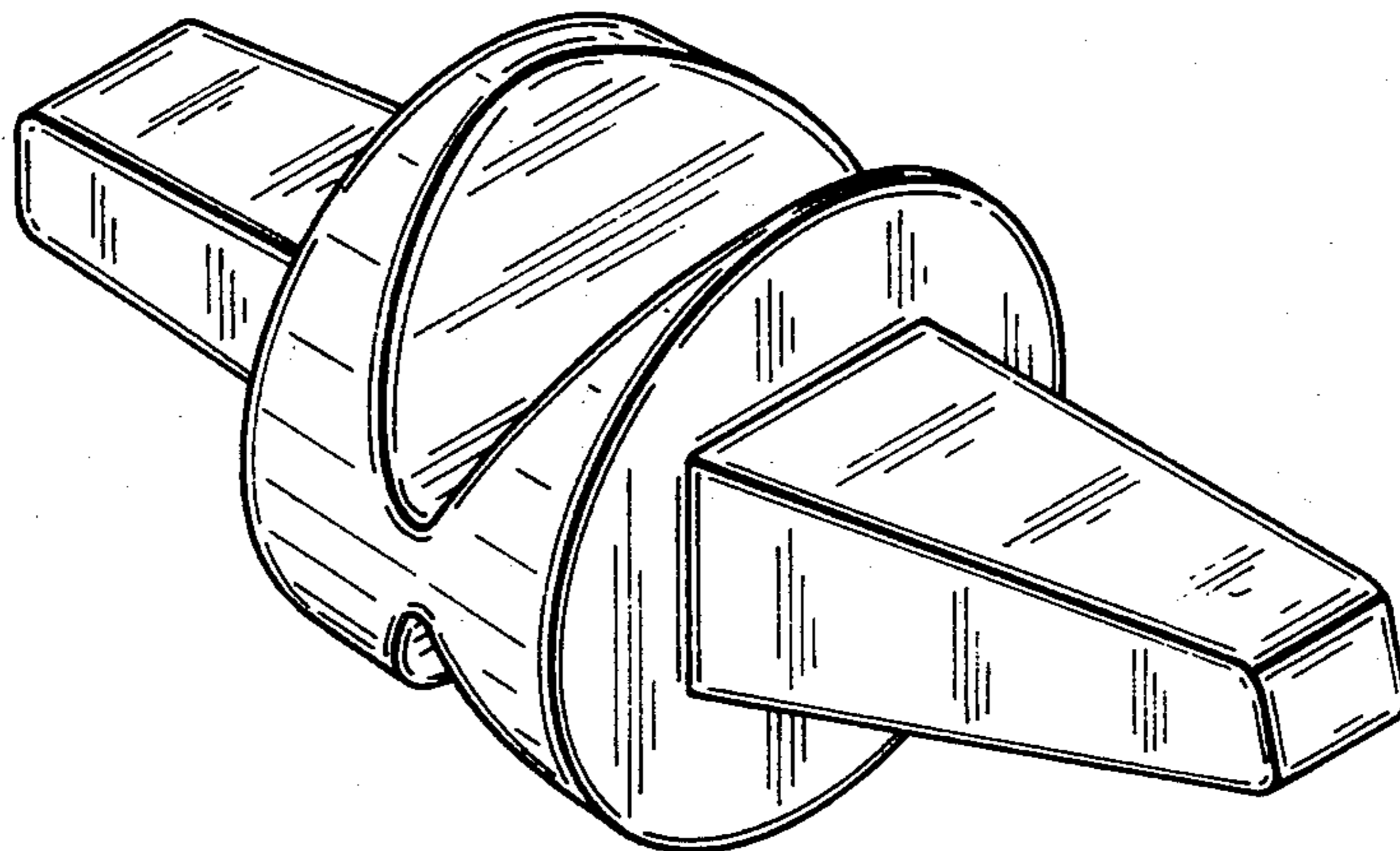
[57] CLAIM

The ornamental design for a great toe metatarsal phalangeal implant, as shown and described.

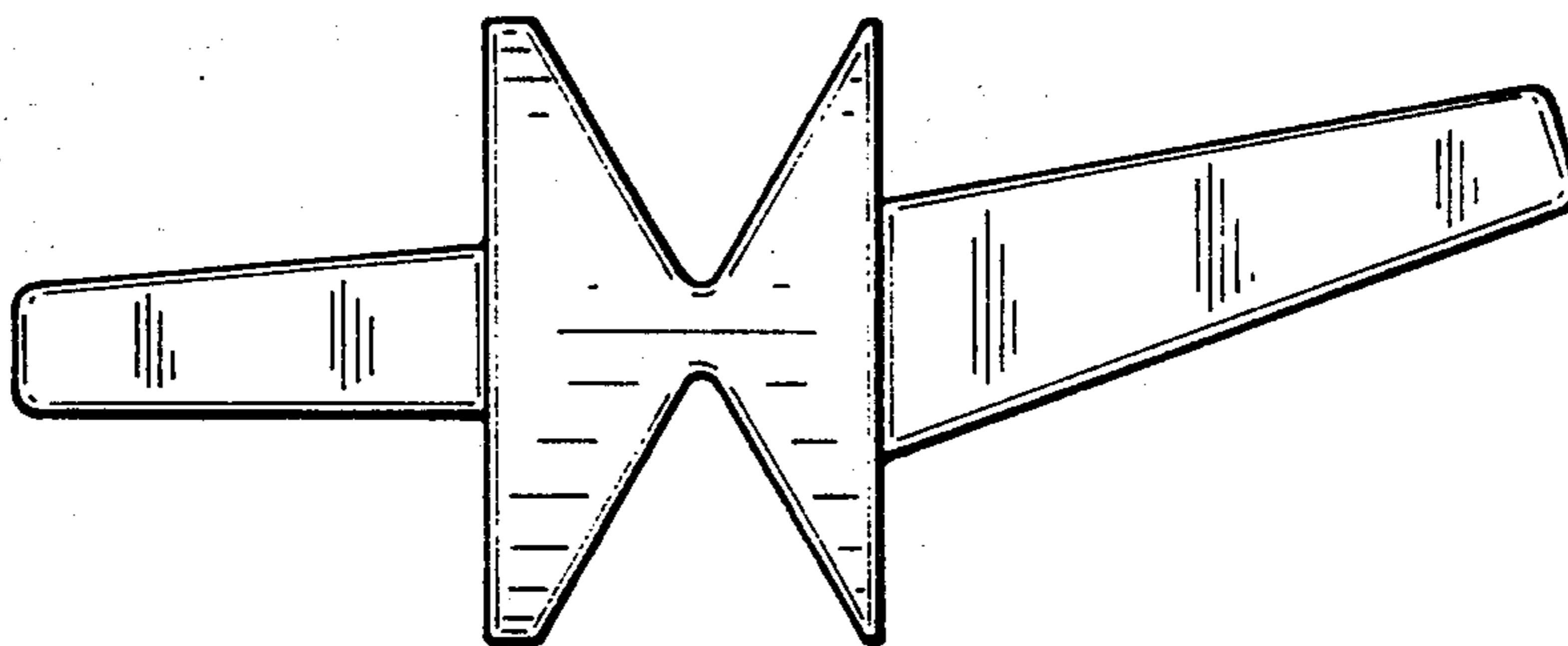
DESCRIPTION

FIG. 1 is a perspective view of a great toe metatarsal phalangeal implant showing our new design; FIG. 2 is a left side elevational view thereof, the right hand side view being identical; FIG. 3 is a bottom plan view thereof; FIG. 4 is a top plan view thereof; FIG. 5 is a rear elevational view thereof; and FIG. 6 is a front elevational view thereof.

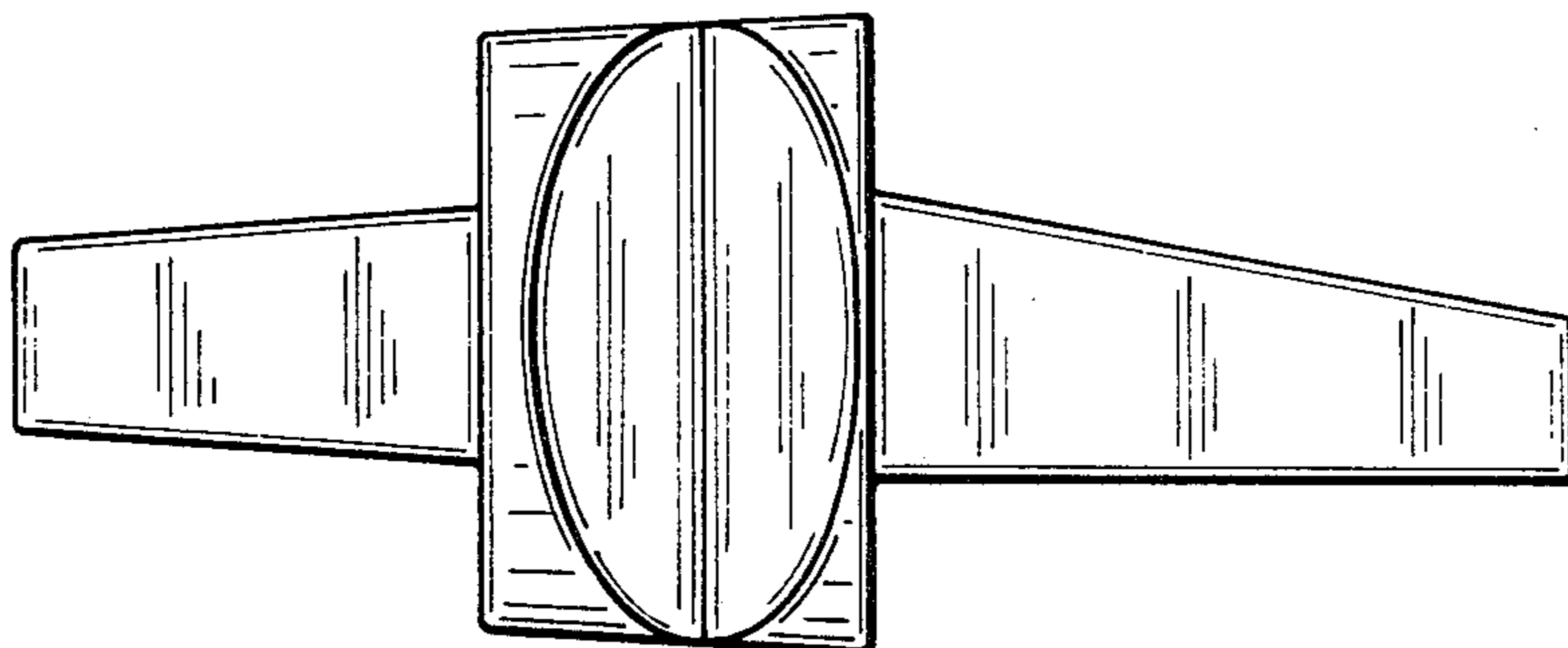




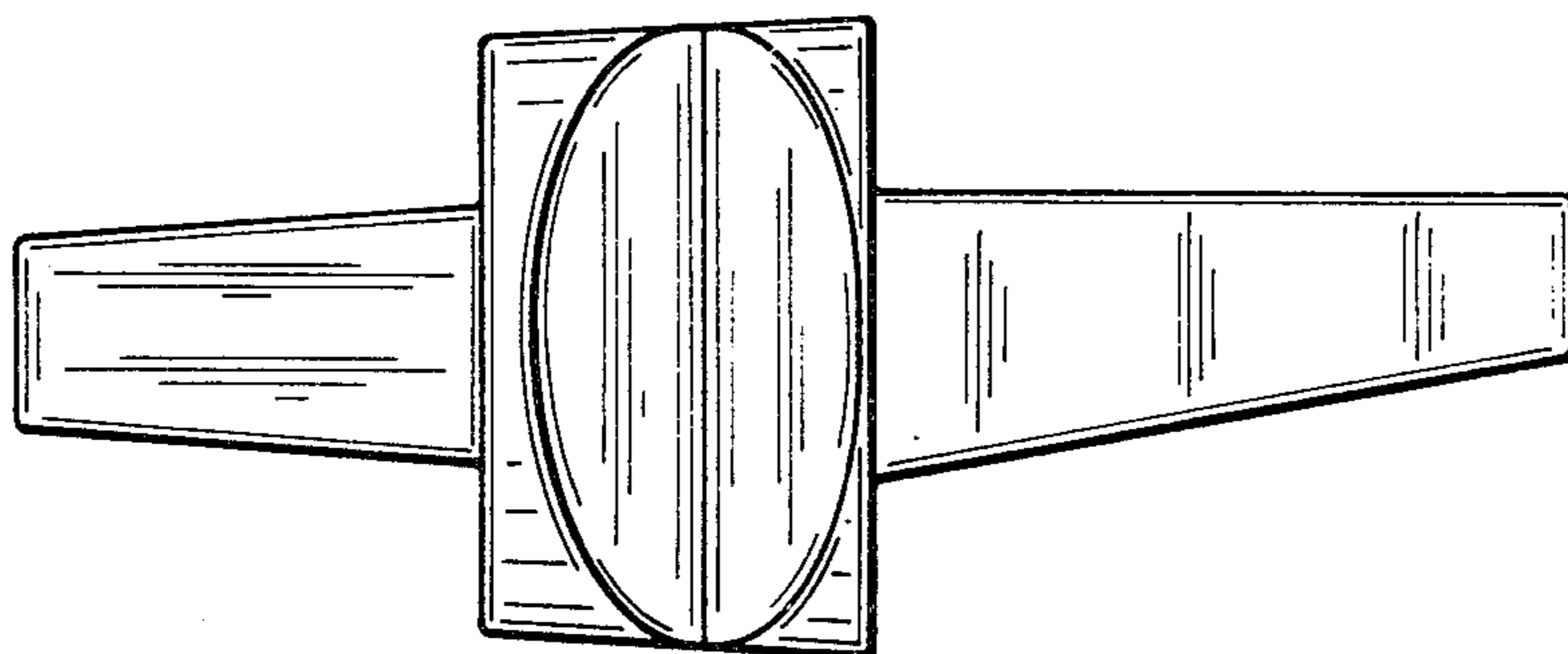
FIG_1



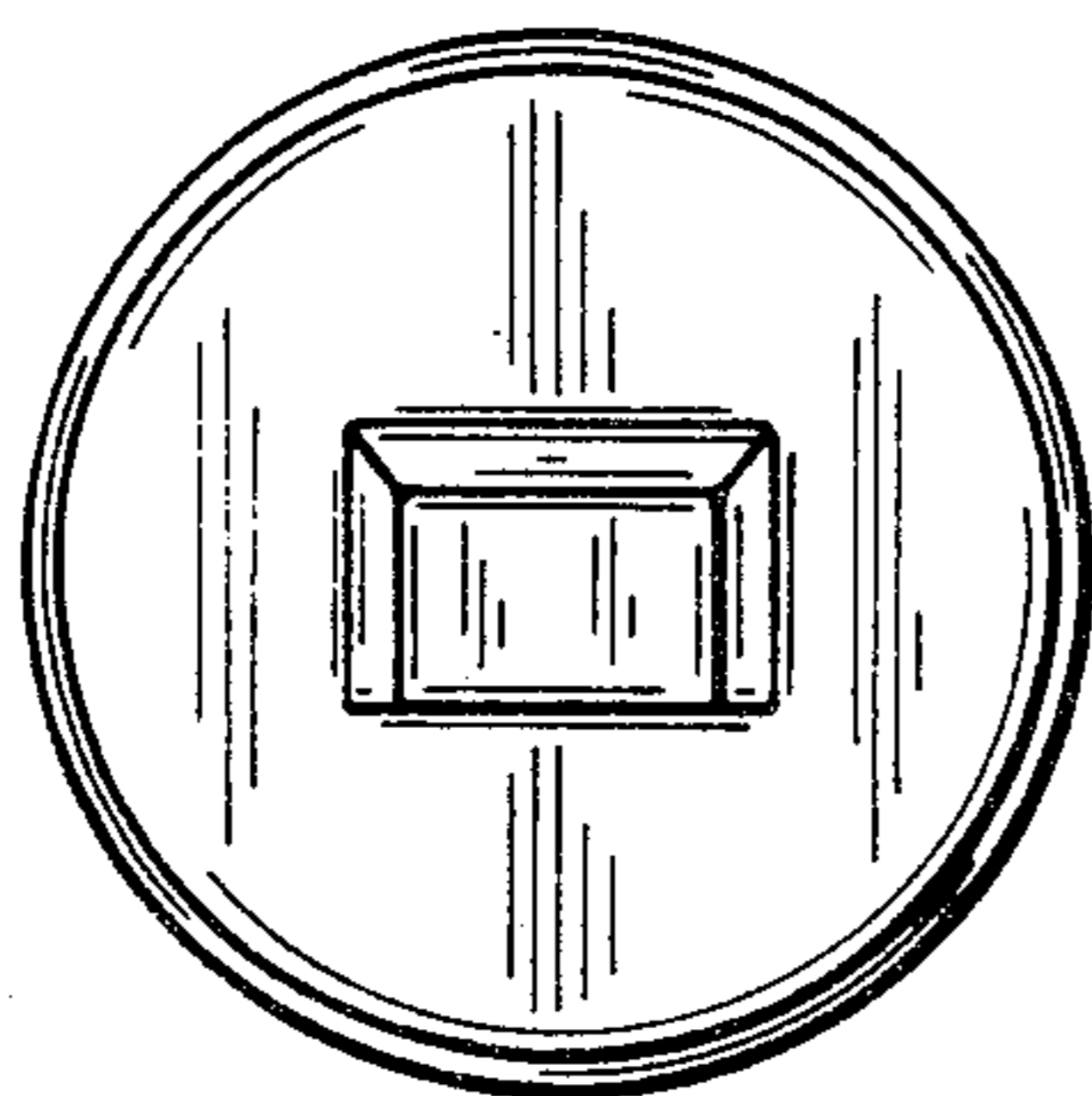
FIG_2



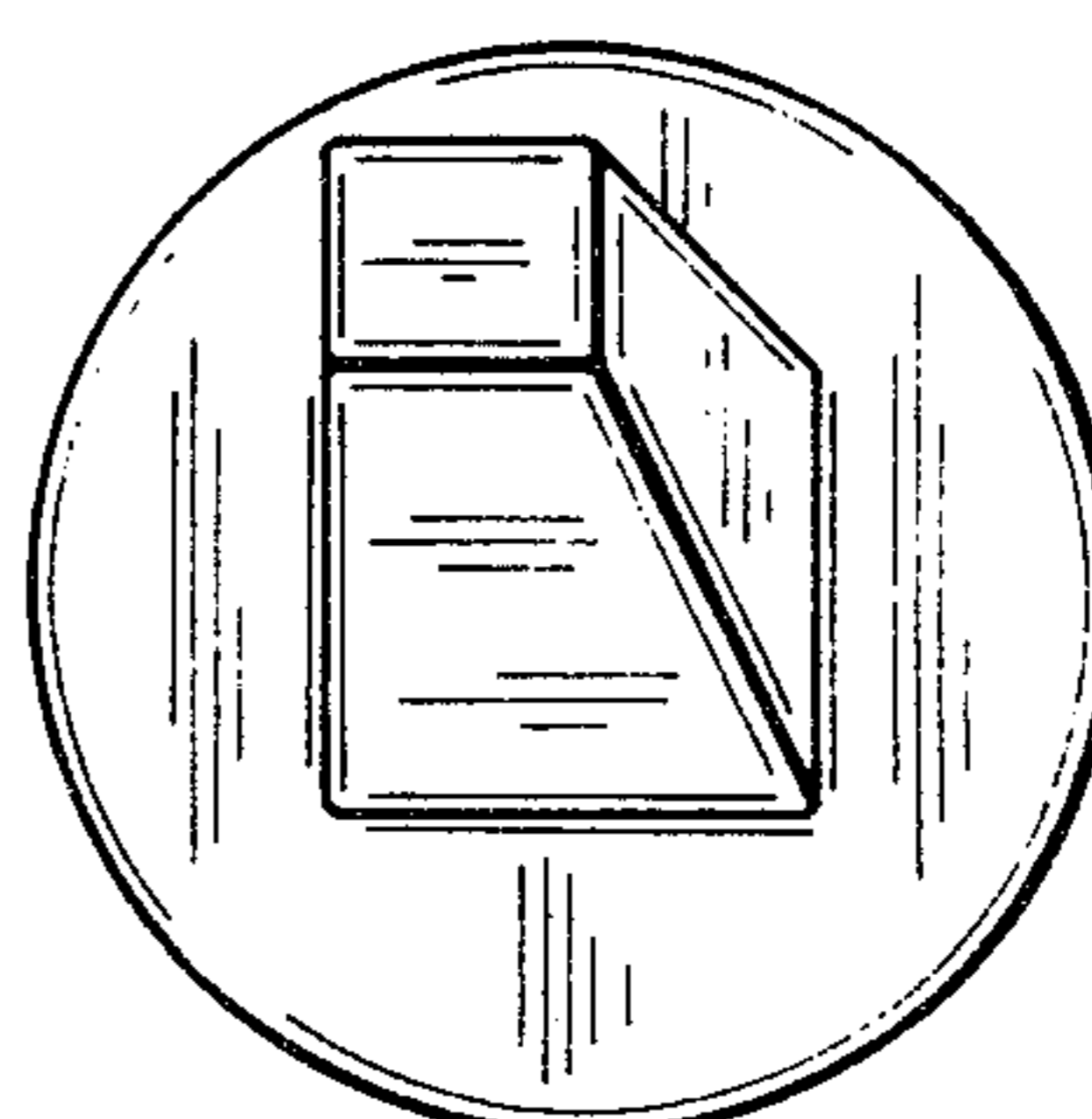
FIG_3



FIG_4



FIG_5



FIG_6