

[54] **LINEAR SURGICAL STAPLER**
 [75] **Inventor: David T. Green, Norwalk, Conn.**
 [73] **Assignee: United States Surgical Corporation, Norwalk, Conn.**
 [**] **Term: 14 Years**
 [21] **Appl. No.: 598,785**
 [22] **Filed: Apr. 10, 1984**
 [52] **U.S. Cl. D24/26**
 [58] **Field of Search D24/26, 27, 28; D8/48, D8/49, 50, 51, 68; 128/305, 325, 326, 334 R, 335, 753, 754; 227/DIG. 1, 19, 109, 110, 120, 127, 129, 134, 156; 206/339**

4,354,628 10/1982 Green 227/19
 4,383,634 5/1983 Green 227/19
 4,402,445 9/1983 Green 227/19

FOREIGN PATENT DOCUMENTS

D. 82240 1/1983 Australia .
 D. 82280 1/1983 Australia .
 D. 82307 1/1983 Australia .
 D. 82308 1/1983 Australia .
 1237035 6/1960 France .
 906791 9/1962 United Kingdom .
 913218 12/1962 United Kingdom .
 1158504 7/1969 United Kingdom .

Primary Examiner—A. Hugo Word
Assistant Examiner—Stella M. Reid
Attorney, Agent, or Firm—John E. Nathan; Douglas J. Gilbert

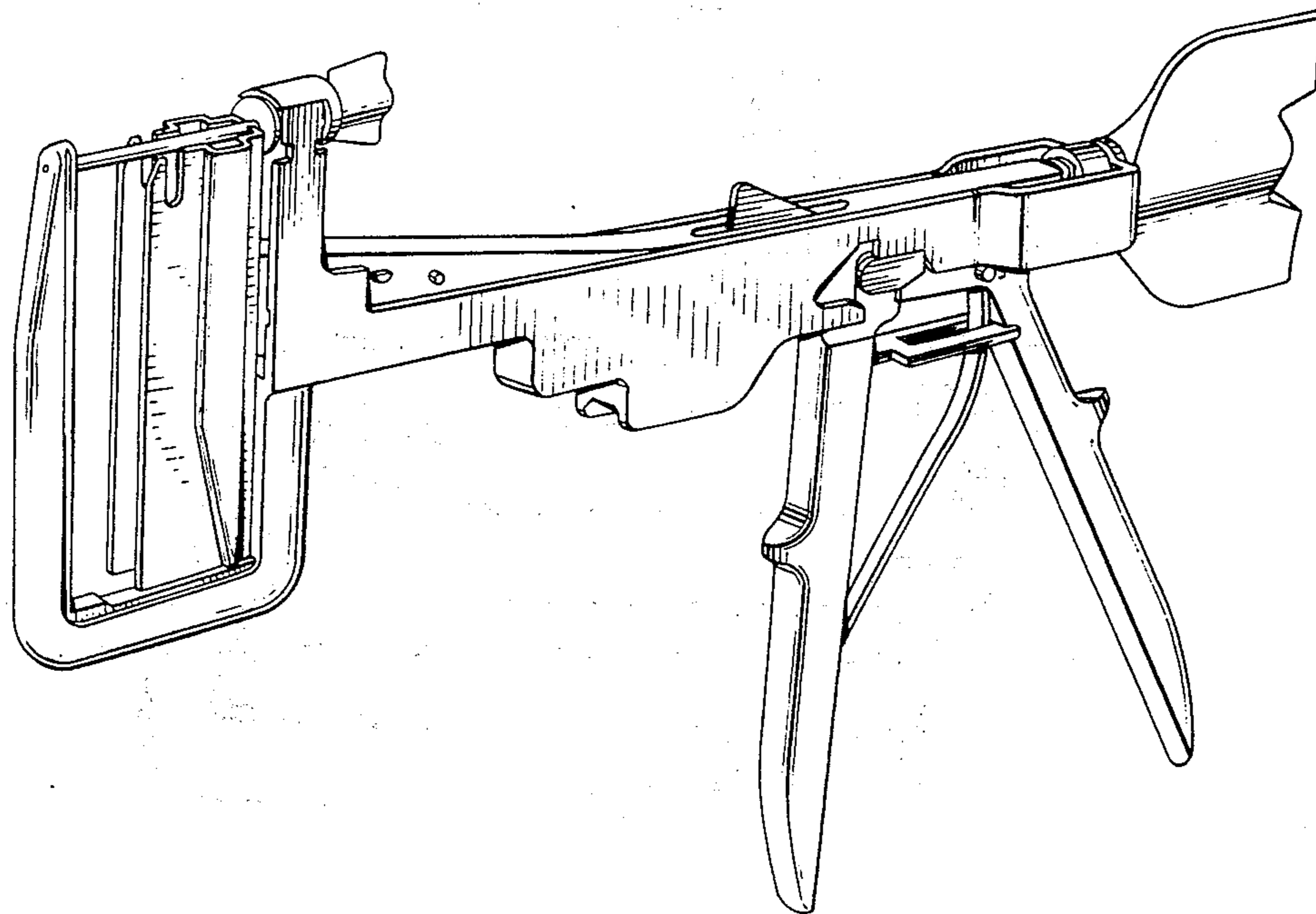
[56] **References Cited**
U.S. PATENT DOCUMENTS

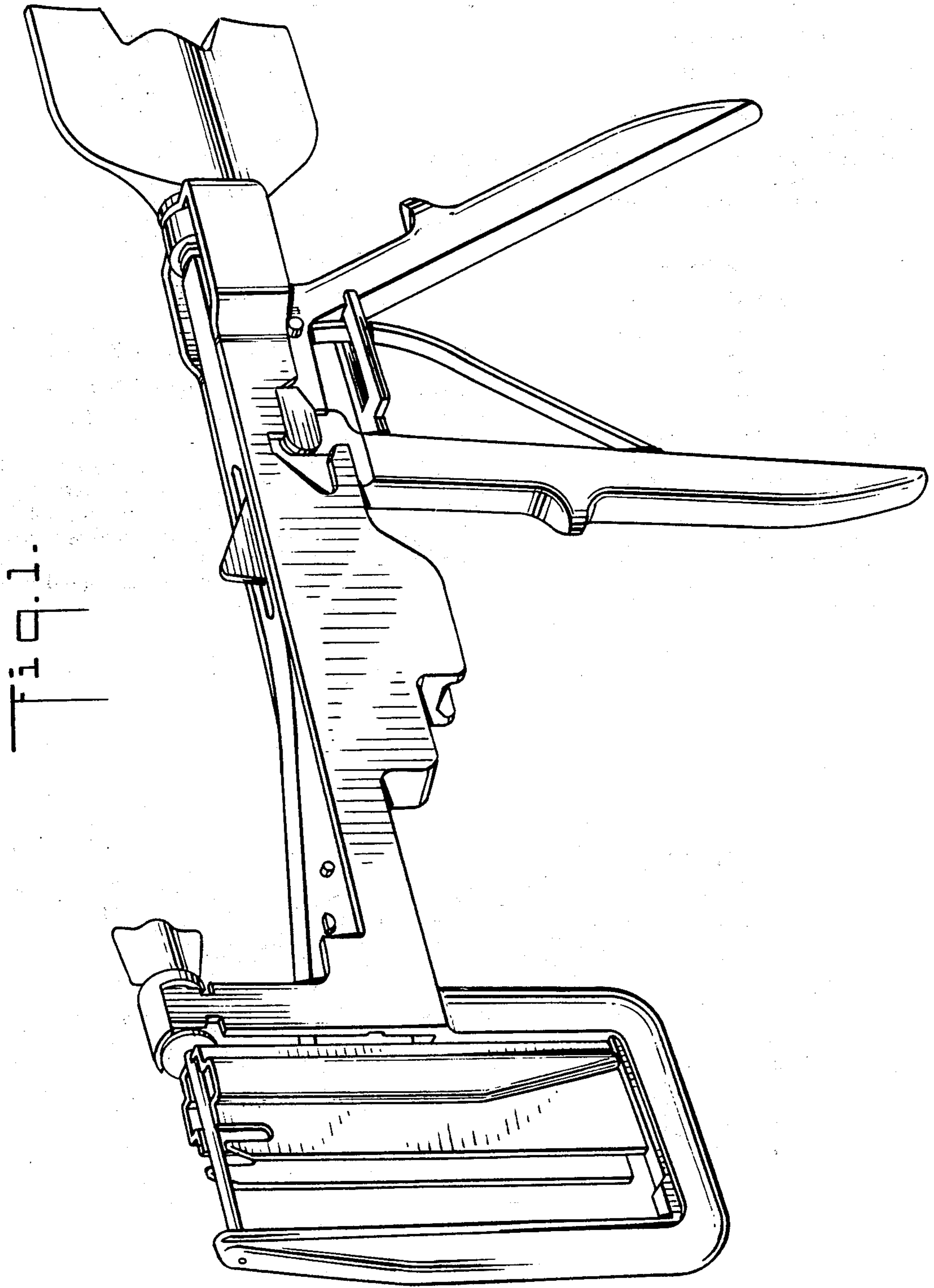
D. 272,270 1/1984 Green et al. D24/26
 D. 272,272 1/1984 Green et al. D24/26
 D. 272,273 1/1984 Green et al. D24/26
 D. 272,275 1/1984 Green et al. D24/26
 D. 272,277 1/1984 Green et al. D24/26
 D. 272,278 1/1984 Green et al. D24/26
 3,080,564 3/1963 Strekopytov et al. 1/50
 3,252,643 5/1966 Strekopytov et al. 227/109
 3,269,630 8/1966 Fleischer 227/107
 3,275,211 9/1966 Hirsch et al. 227/124
 3,315,863 4/1967 O'Dea 227/19
 3,494,533 2/1970 Green et al. 227/19
 3,589,589 6/1971 Akopov 227/153
 4,296,881 10/1981 Lee 227/30

[57] **CLAIM**
 The ornamental design for a linear surgical stapler, substantially as shown and described.

DESCRIPTION

FIG. 1 is a perspective view of a linear surgical stapler showing my new design;
 FIG. 2 is a side elevational view thereof;
 FIG. 3 is a top plan view thereof;
 FIG. 4 is a bottom plan view thereof;
 FIG. 5 is an end elevational view thereof, as seen from the right of FIG. 1; and
 FIG. 6 is an end elevational view thereof, as seen from the left of FIG. 2.





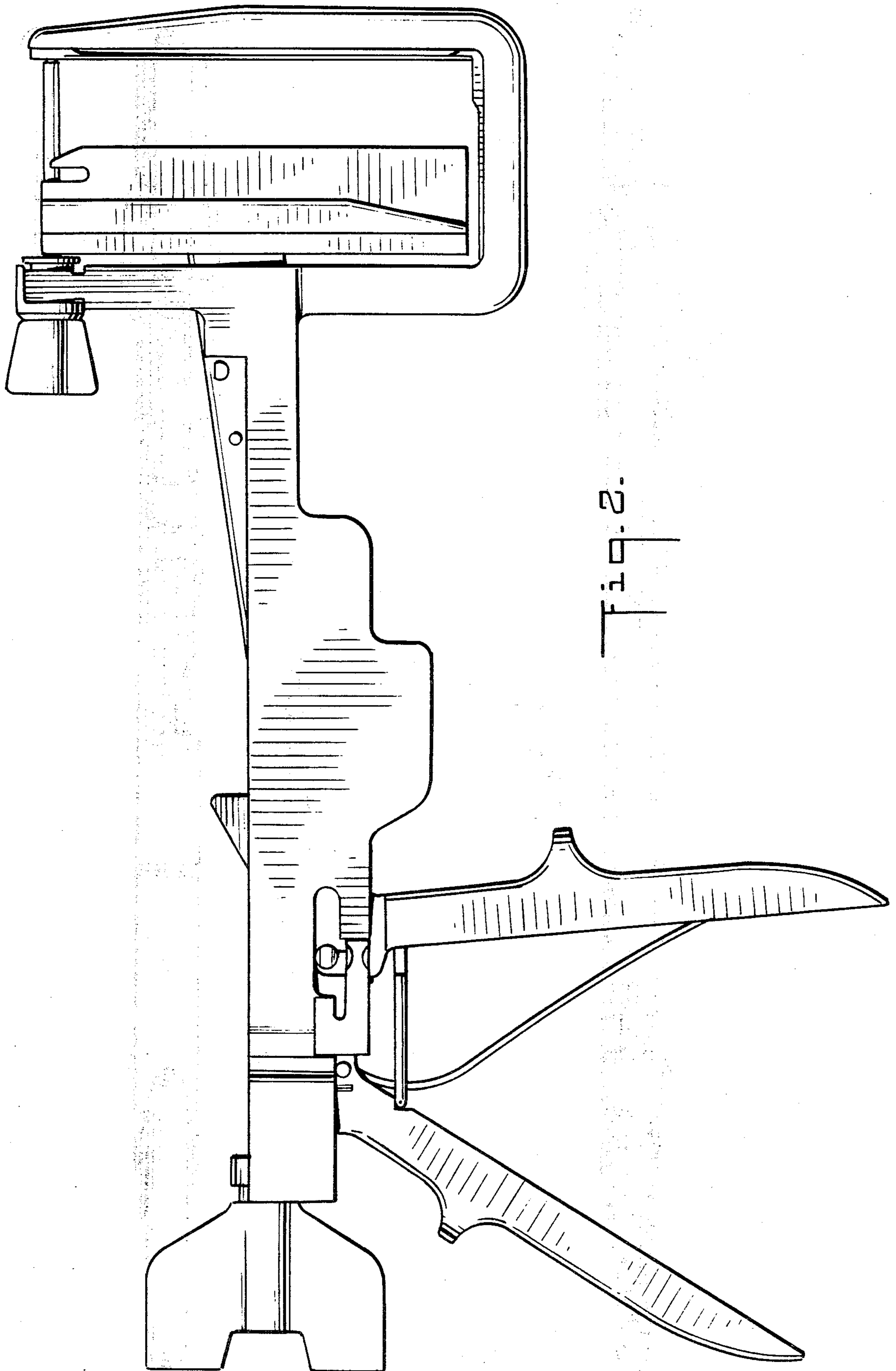


Fig. 2.

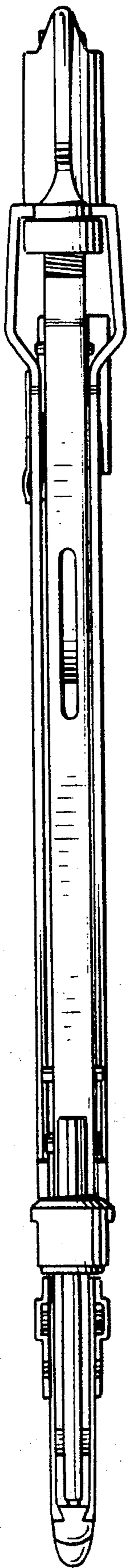


Fig. 3.

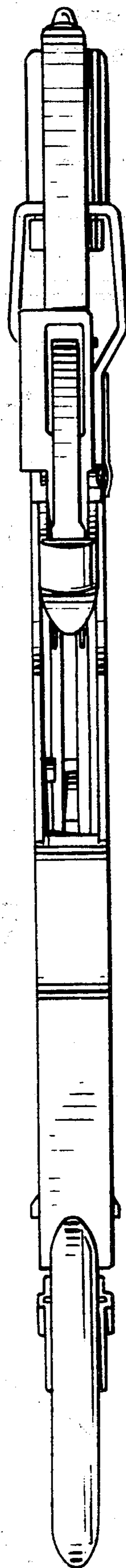


Fig. 4.

Fig. 5.

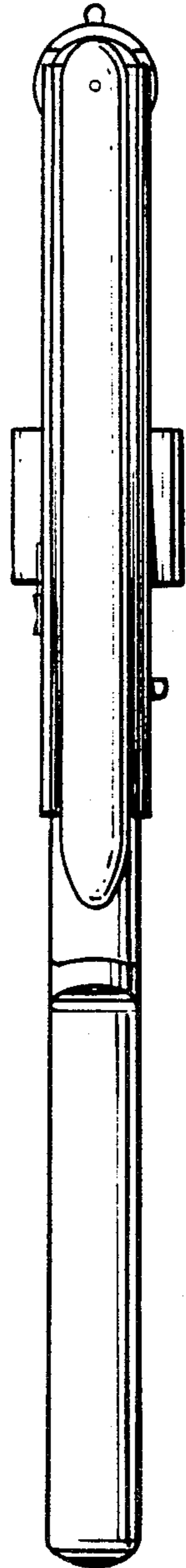


Fig. 6.

