

[54] **CHIMNEY COVER**

[75] **Inventor: Armin Liniger, Amriswil, Switzerland**

[73] **Assignee: Technopatent AG, Switzerland**

[\*\*] **Term: 14 Years**

[21] **Appl. No.: 661,408**

[22] **Filed: Oct. 16, 1984**

[52] **U.S. Cl. .... D23/154**

[58] **Field of Search ..... D23/139-167;  
98/42, 42.21, 36-39**

[56] **References Cited**

**U.S. PATENT DOCUMENTS**

- D. 113,339 2/1939 Wilson ..... D23/141  
D. 198,557 6/1964 Stark et al. .... D23/151

- 2,830,526 4/1958 Breidert ..... D23/153  
3,049,068 8/1962 Rousey ..... D23/153

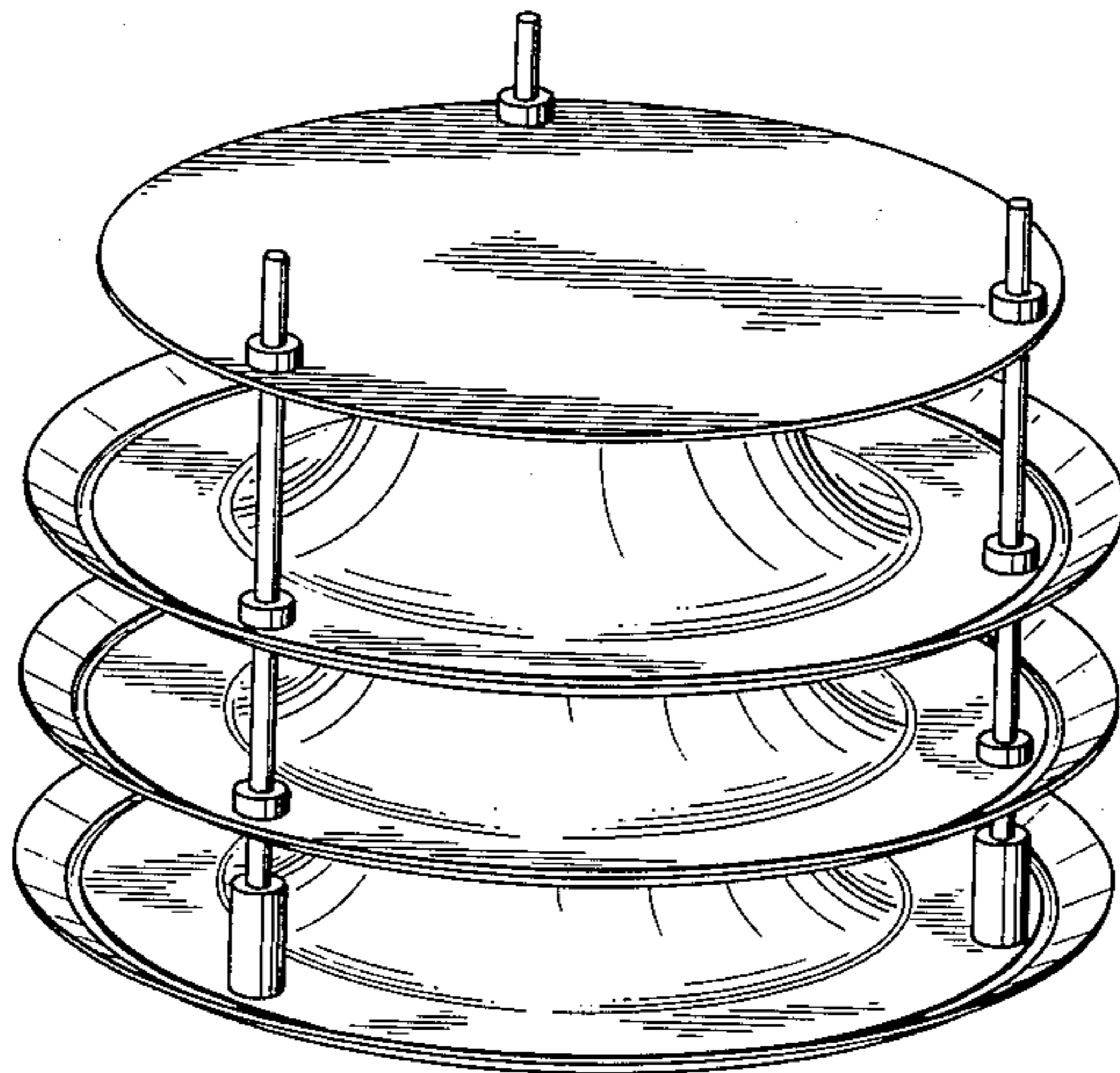
*Primary Examiner*—Wallace R. Burke  
*Assistant Examiner*—Brian N. Vinson  
*Attorney, Agent, or Firm*—McGlew and Tuttle

[57] **CLAIM**

The ornamental design for a chimney cover, substantially as shown and described.

**DESCRIPTION**

FIG. 1 is a perspective view of a chimney cover showing my new design;  
FIG. 2 is a side elevation thereof, the opposite side being identical;  
FIG. 3 is a top plan view thereof; and  
FIG. 4 is an enlarged sectional view thereof taken along lines 4—4 of FIG. 3.



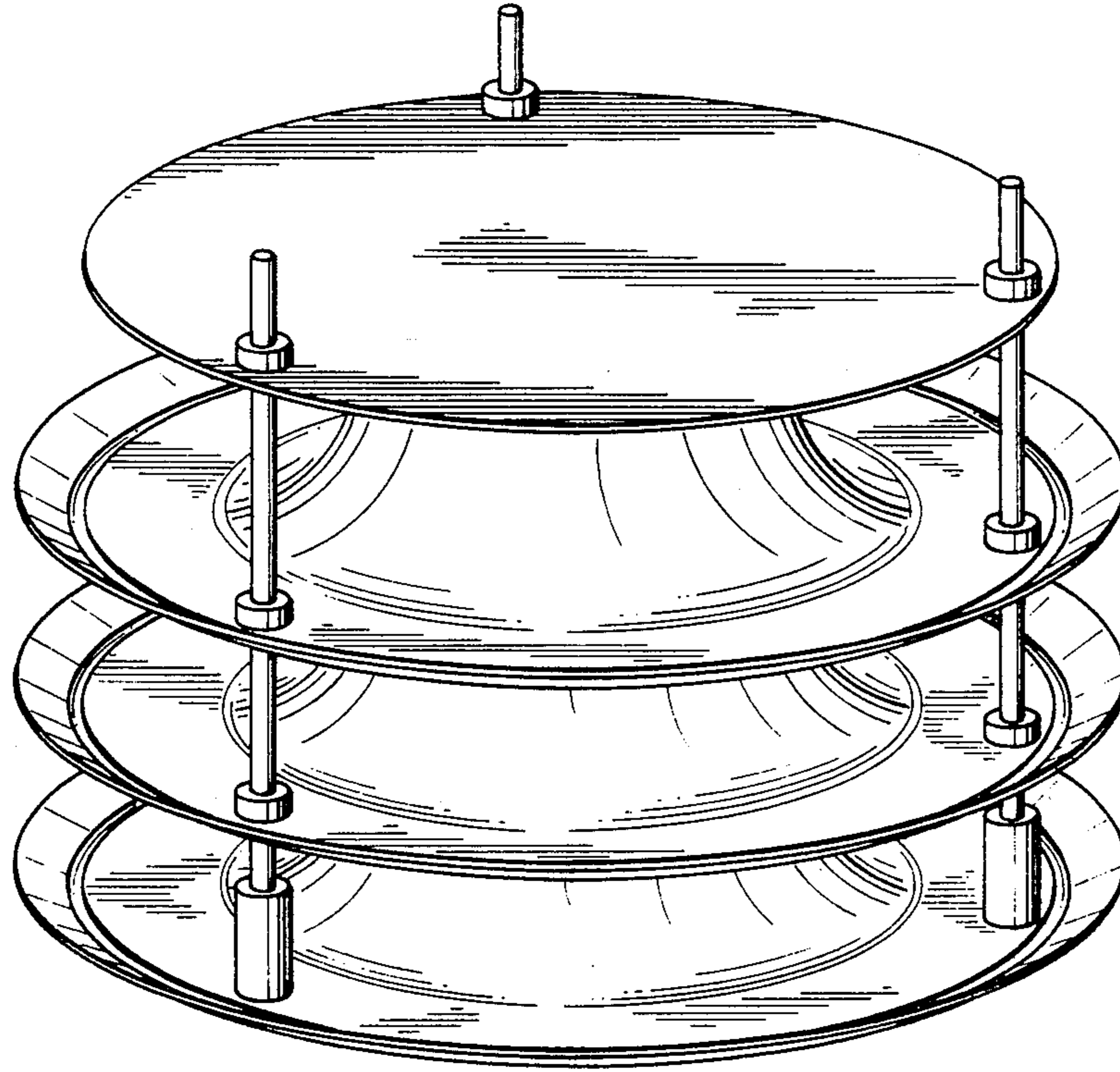


FIG. 1

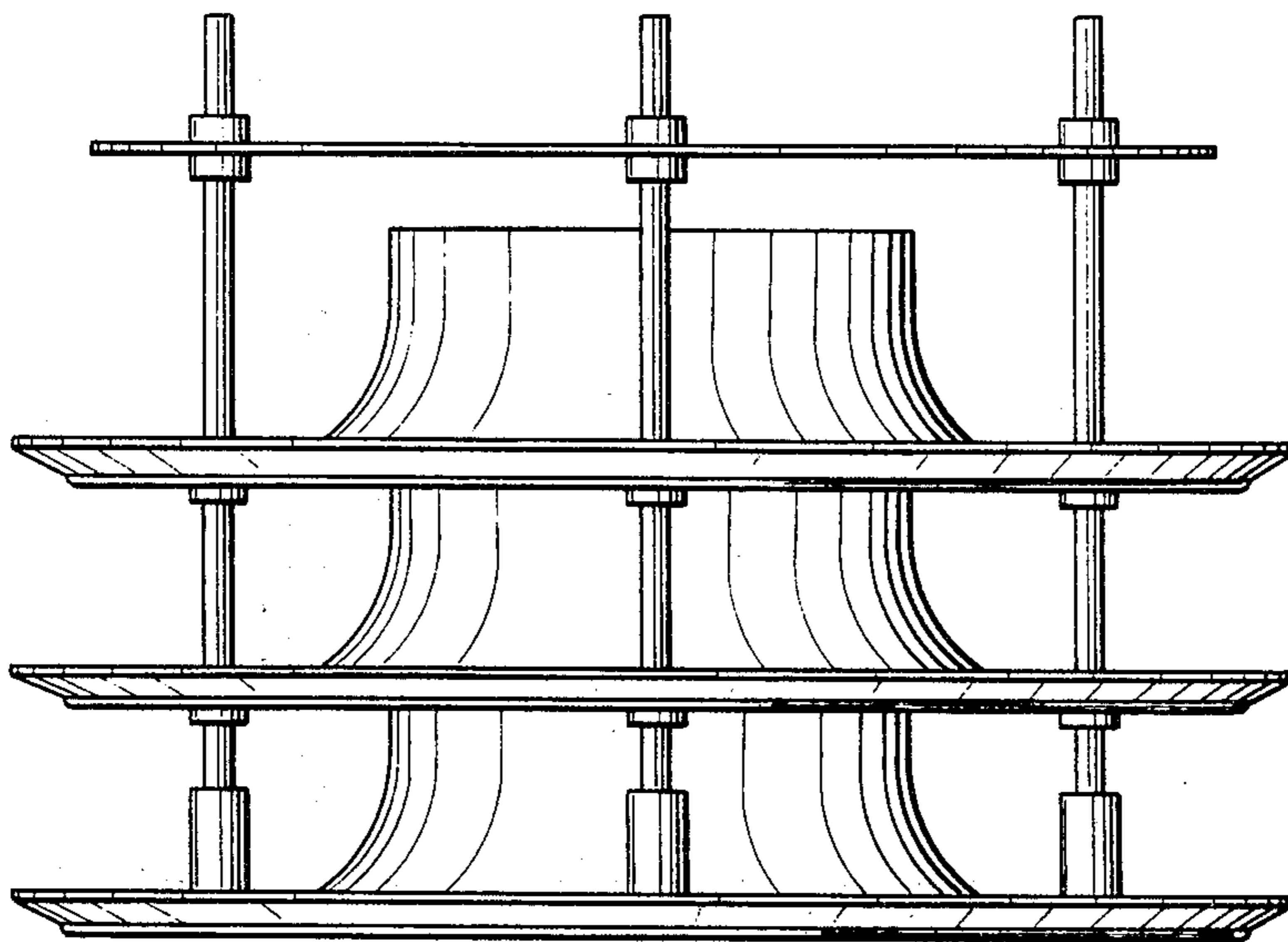


FIG. 2

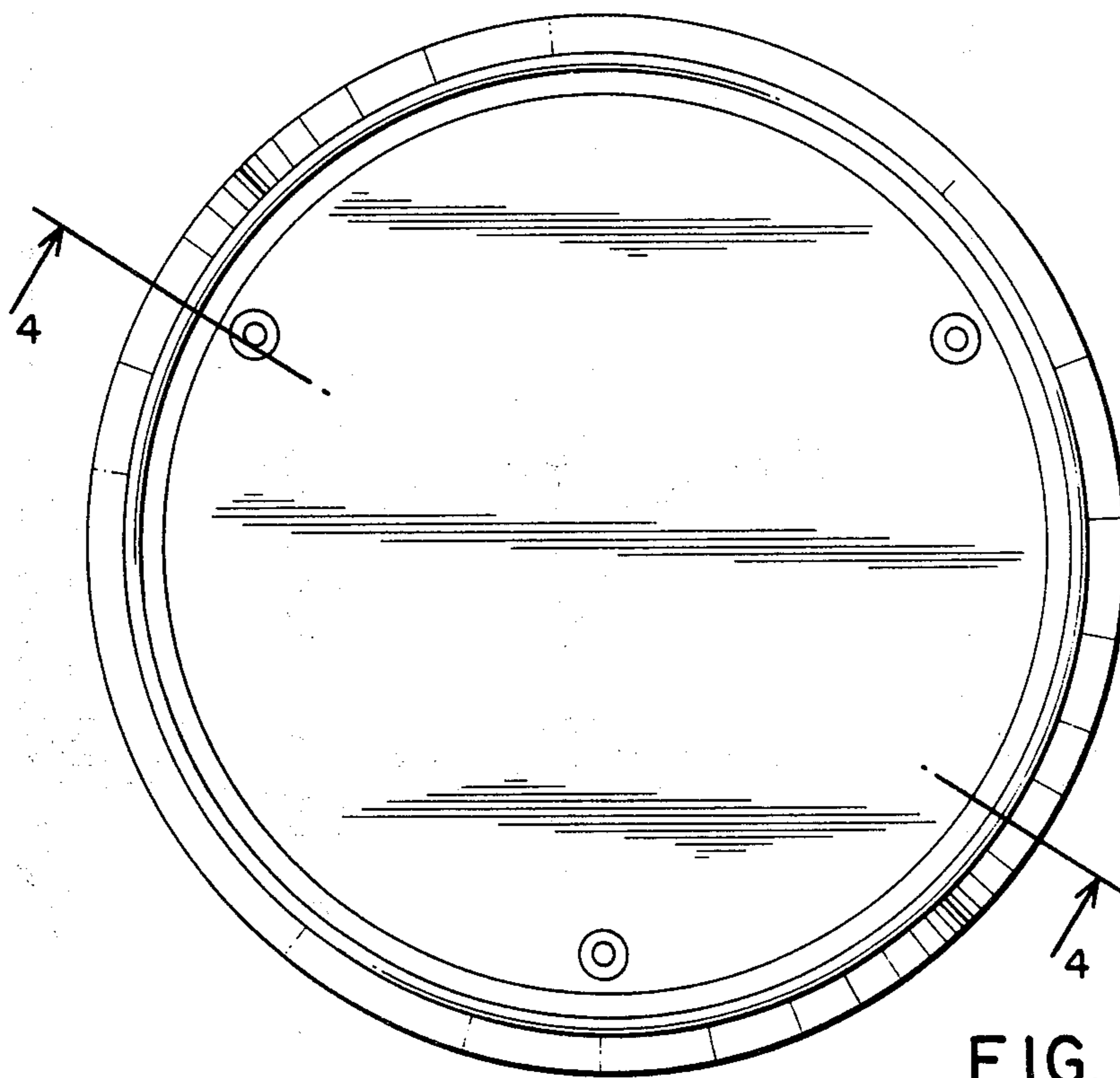


FIG. 3

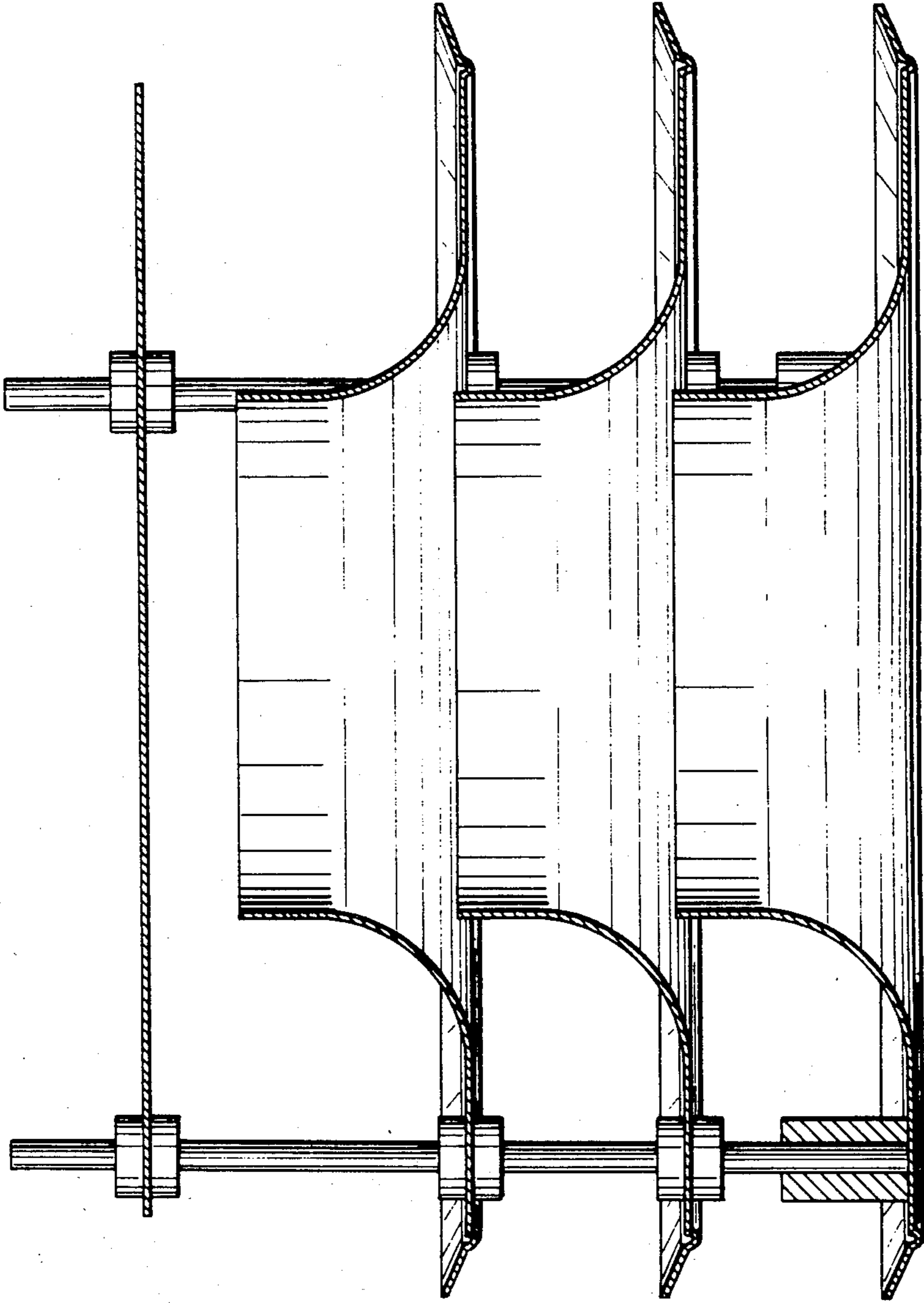


FIG. 4

UNITED STATES PATENT OFFICE  
CERTIFICATE OF CORRECTION

Patent No. D 284,094

Dated June 3, 1986

Inventor(s) Armin Liniger

It is certified that error appears in the above-identified patent and that said Letters Patent are hereby corrected as shown below:

On the Title page,

Change the assignee from "Technopatent AG" to read

-- Technopower AG --.

Signed and Sealed this  
Twenty-eighth Day of October, 1986

[SEAL]

*Attest:*

DONALD J. QUIGG

*Attesting Officer*

*Commissioner of Patents and Trademarks*