

[54] ELECTRONIC GAME HOUSING

[75] Inventors: Toshiaki Takizawa; Akio Tsuyuki, both of Tokyo, Japan

[73] Assignee: Tomy Kogyo Co., Inc., Tokyo, Japan

[**] Term: 14 Years

[21] Appl. No.: 597,083

[22] Filed: Apr. 5, 1984

[30] Foreign Application Priority Data

Oct. 5, 1983 [JP] Japan 58-42979

[52] U.S. Cl. D21/13

[58] Field of Search D21/13, 48, 1; 273/DIG. 28, 1 GC, 85 G

[56] References Cited

FOREIGN PATENT DOCUMENTS

2118848 11/1983 United Kingdom 273/DIG. 28

OTHER PUBLICATIONS

Best Products Cat., 1983/84, p. 492, Item No. 16, Tomy Tomytronic.

Primary Examiner—Melvin B. Feifer
Attorney, Agent, or Firm—Staas & Halsey

[57] CLAIM

The ornamental design for an electronic game housing, as shown.

DESCRIPTION

FIG. 1 is a top plan view of an electronic game housing, showing our new design;
FIG. 2 is a bottom plan view thereof;
FIG. 3 is a front elevational view thereof;
FIG. 4 is a rear elevational view thereof;
FIG. 5 is a right side elevational view thereof;
FIG. 6 is a left side elevational view thereof; and
FIG. 7 is a perspective view thereof.

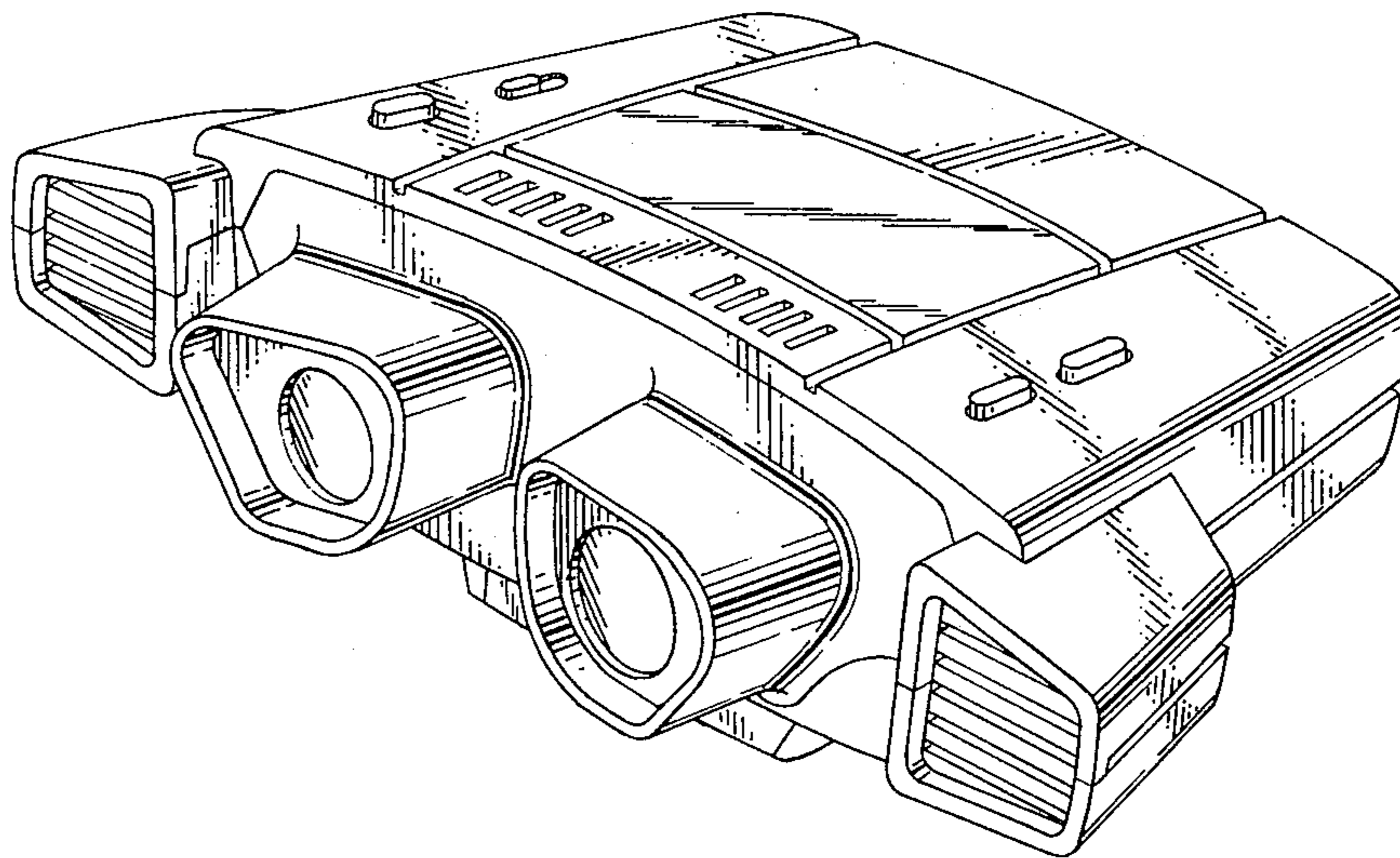


FIG. 1.

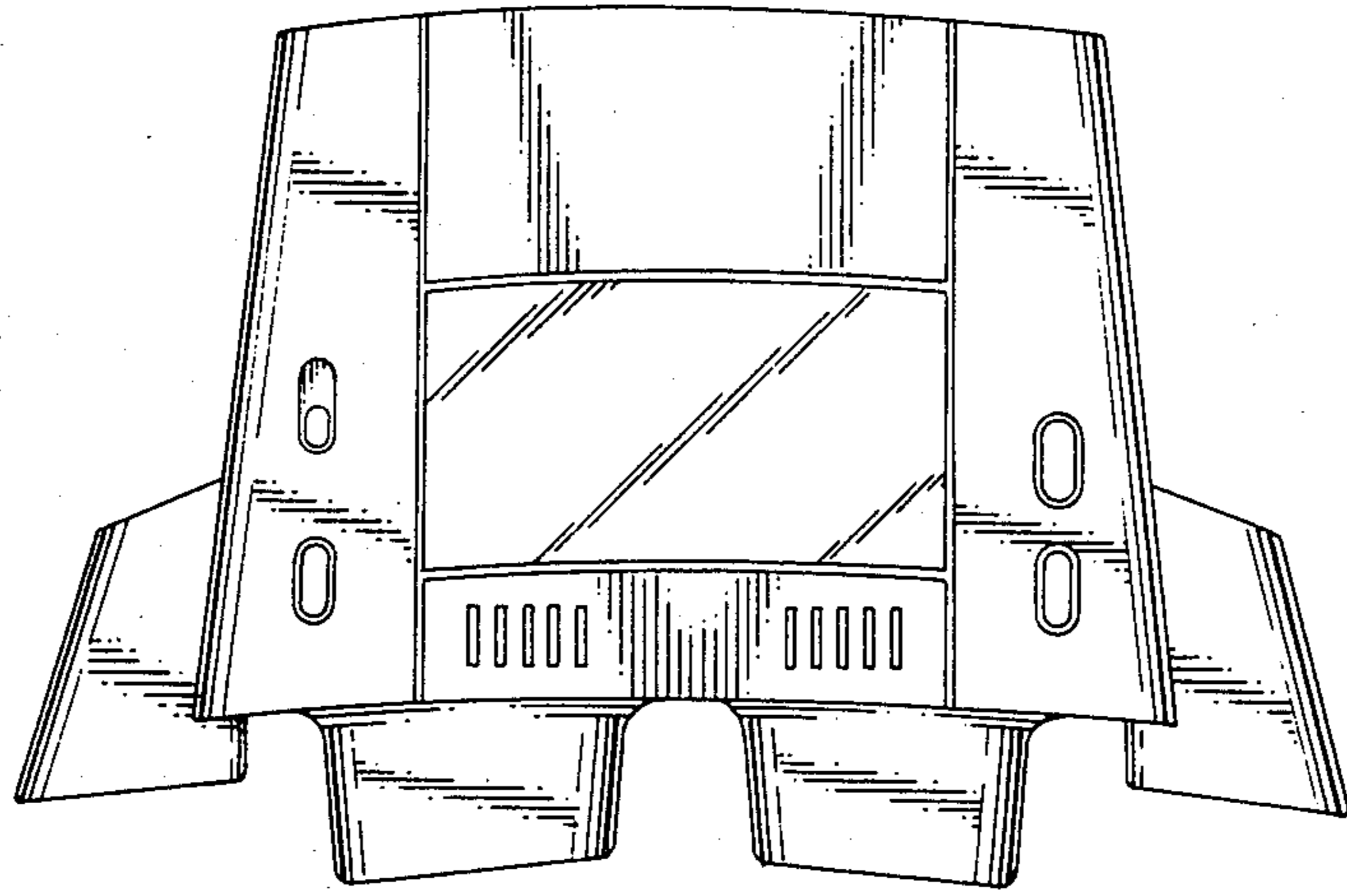


FIG. 2.

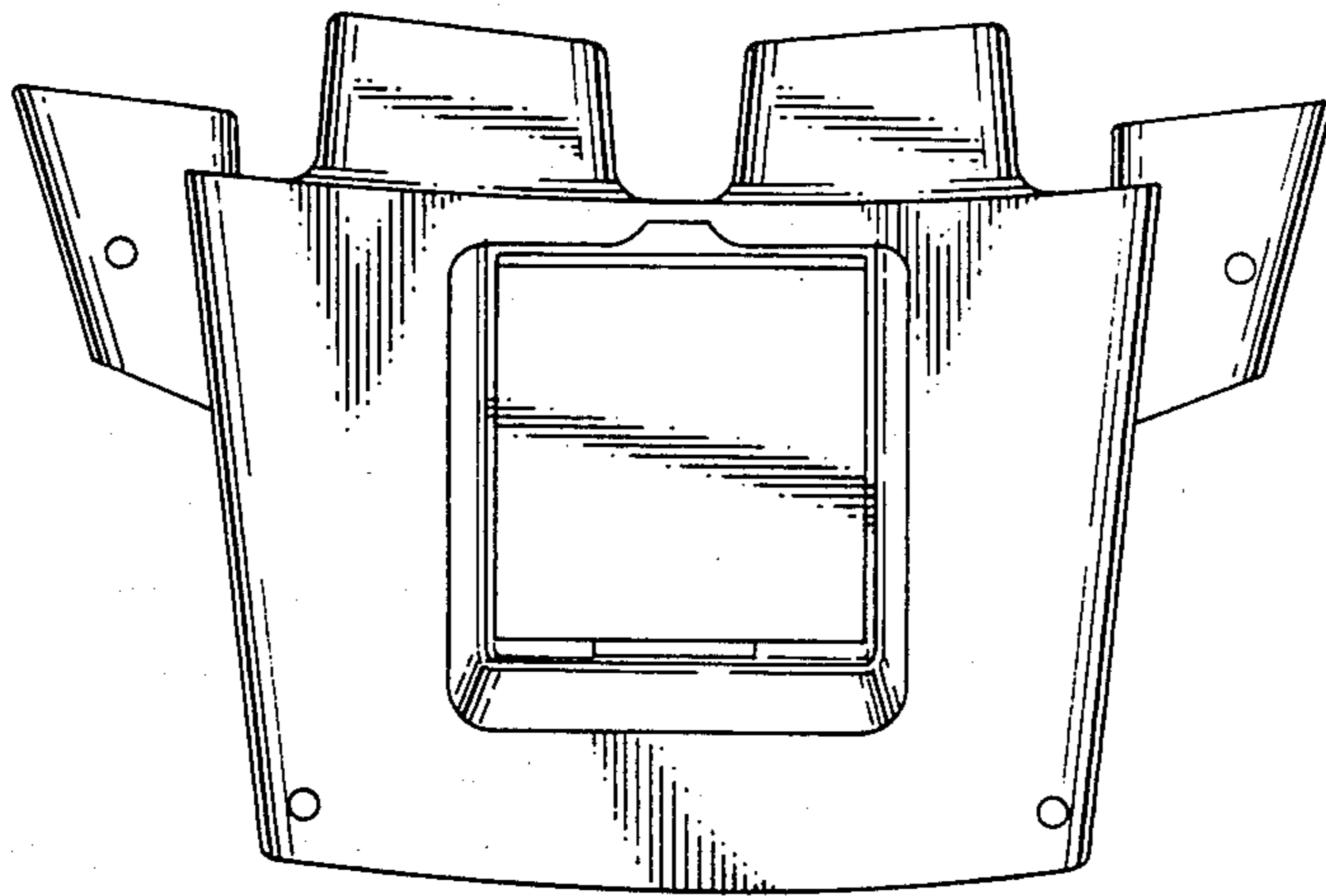


FIG. 3.

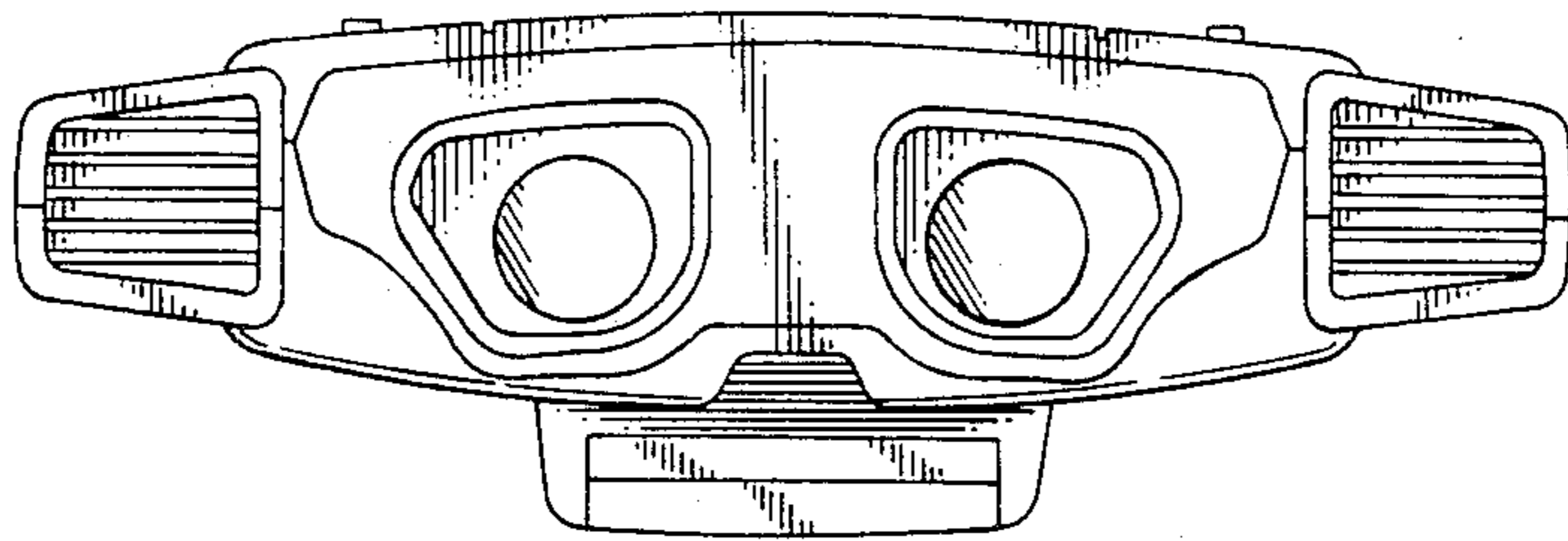


FIG. 4.

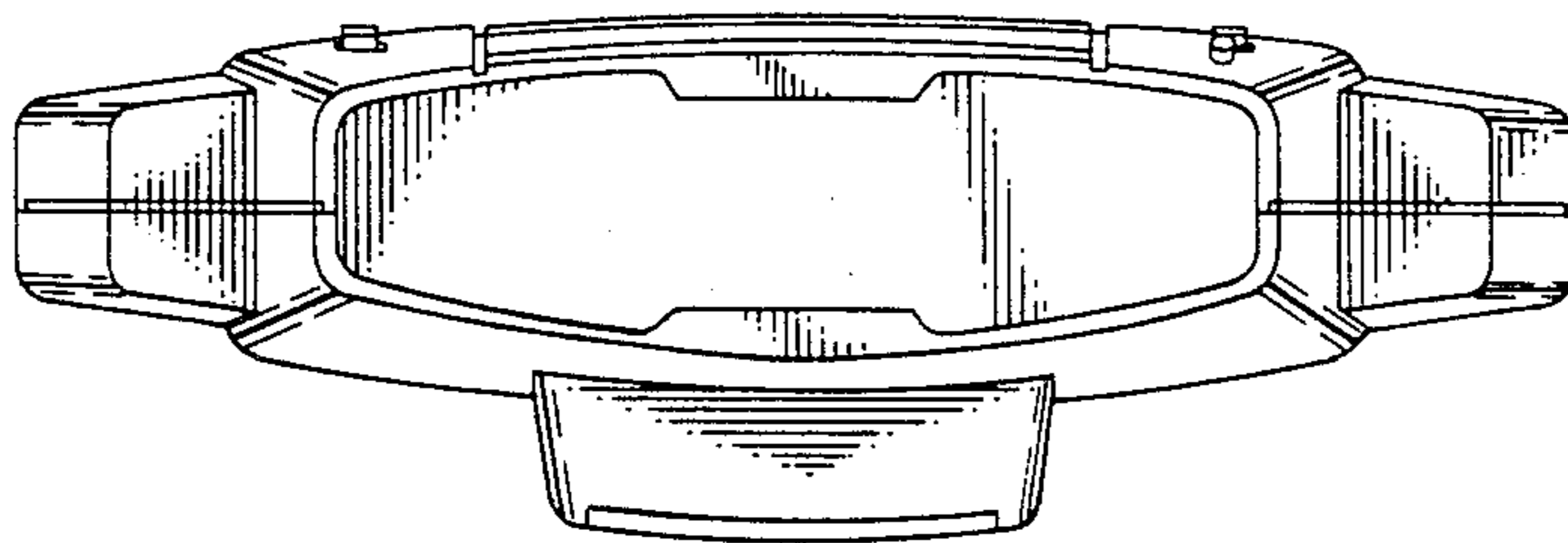


FIG. 5.

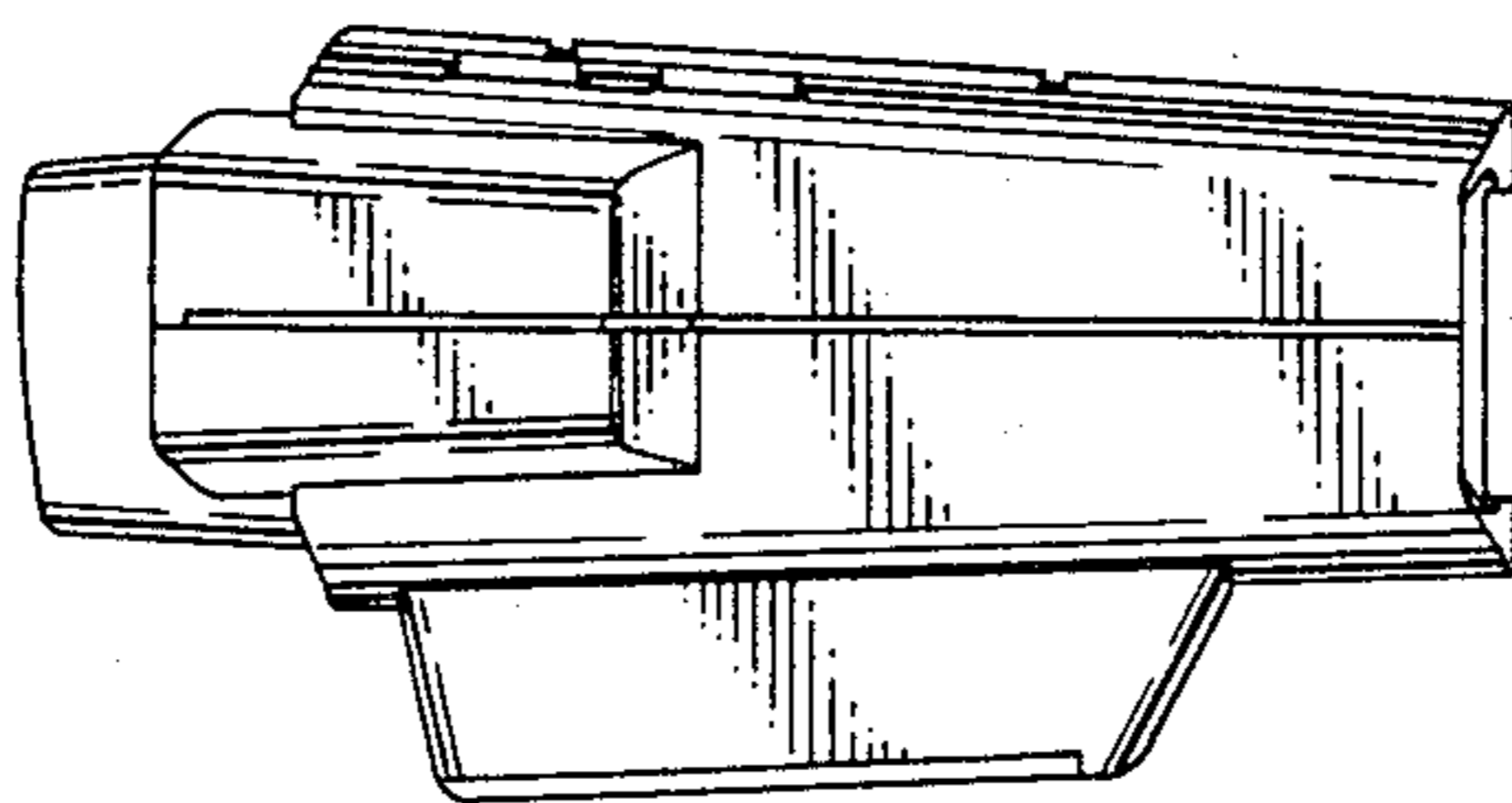


FIG. 6.

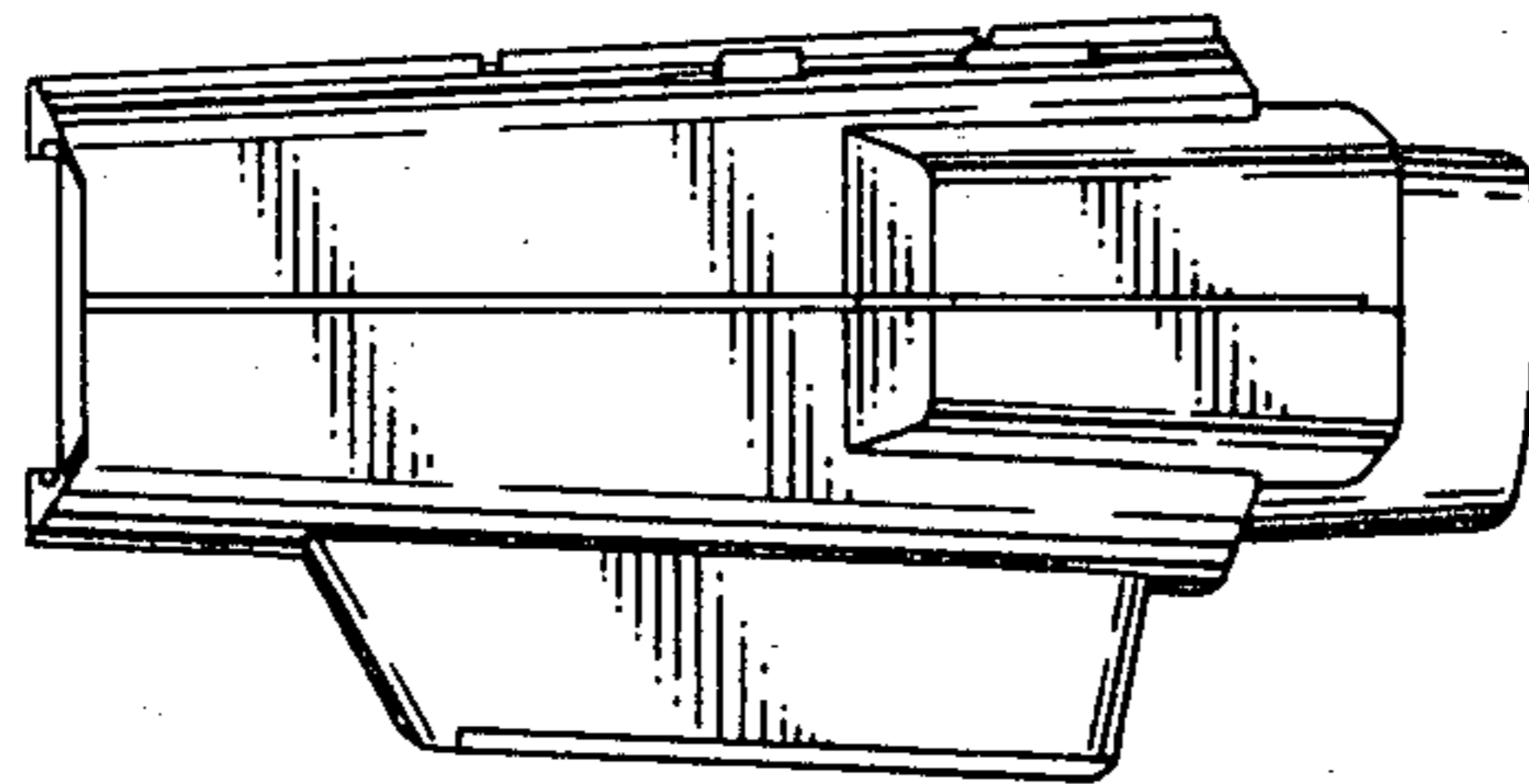


FIG. 7.

