

[54] MAGNIFYING LAMP

[75] Inventor: Robert N. Haidinger, Riverside, Conn.

[73] Assignee: Jac Jacobsen Industries, Inc., Norway

[**] Term: 14 Years

[21] Appl. No.: 568,706

[22] Filed: Jan. 6, 1984

[52] U.S. Cl. D16/135; D26/61

[58] Field of Search D26/24, 51, 60-66; 362/269, 296, 401, 402, 418, 427; D16/135; 350/235, 236, 237, 245, 246, 247, 254, 256

[56] References Cited

U.S. PATENT DOCUMENTS

D. 229,231	11/1973	Beeren	D26/62	X
D. 256,589	8/1980	Iwashita	D16/135	
D. 257,037	8/1984	Saferstein et al.	D26/61	X
1,960,114	5/1934	Lindsay	350/235	
2,377,056	5/1945	Tontrup	350/235	

Primary Examiner—Susan J. Lucas
Attorney, Agent, or Firm—Pasquale A. Razzano

[57] CLAIM

The ornamental design for a magnifying lamp, as shown and described.

DESCRIPTION

FIG. 1 is a perspective view of a magnifying lamp showing my new design, the mounting arm being shown in broken lines for illustrative purposes only; FIG. 2 is a rear perspective view thereof, the top cover being closed; FIG. 3 is a top plan view thereof on an enlarged scale, the cover being opened; FIG. 4 is a side elevational view thereof on an enlarged scale; FIG. 5 is a front elevational view thereof on an enlarged scale; FIG. 6 is a rear elevational view thereof on an enlarged scale; FIG. 7 is a bottom plan view thereof on an enlarged scale; FIG. 8 is a bottom perspective view thereof.

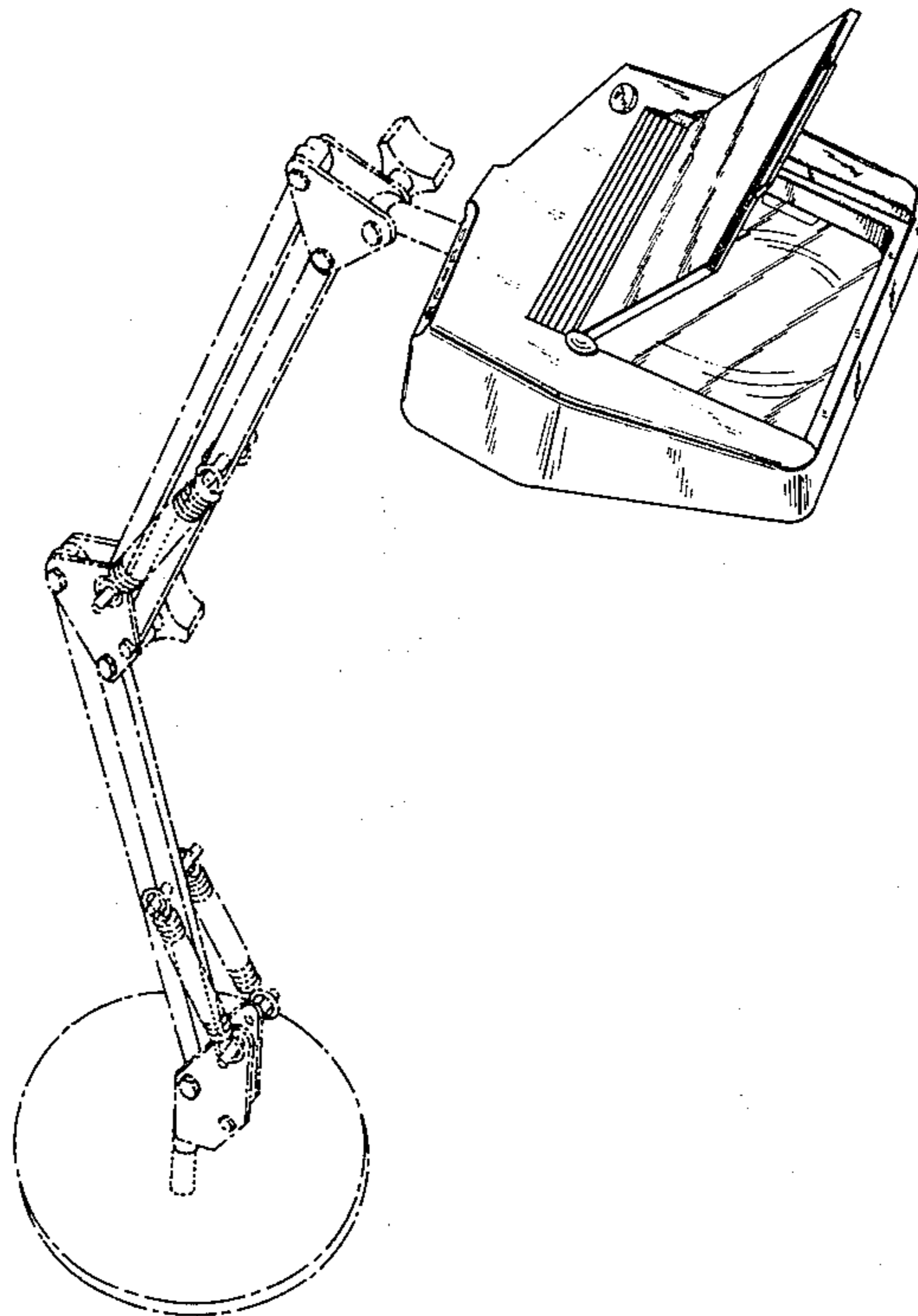


FIG. 1

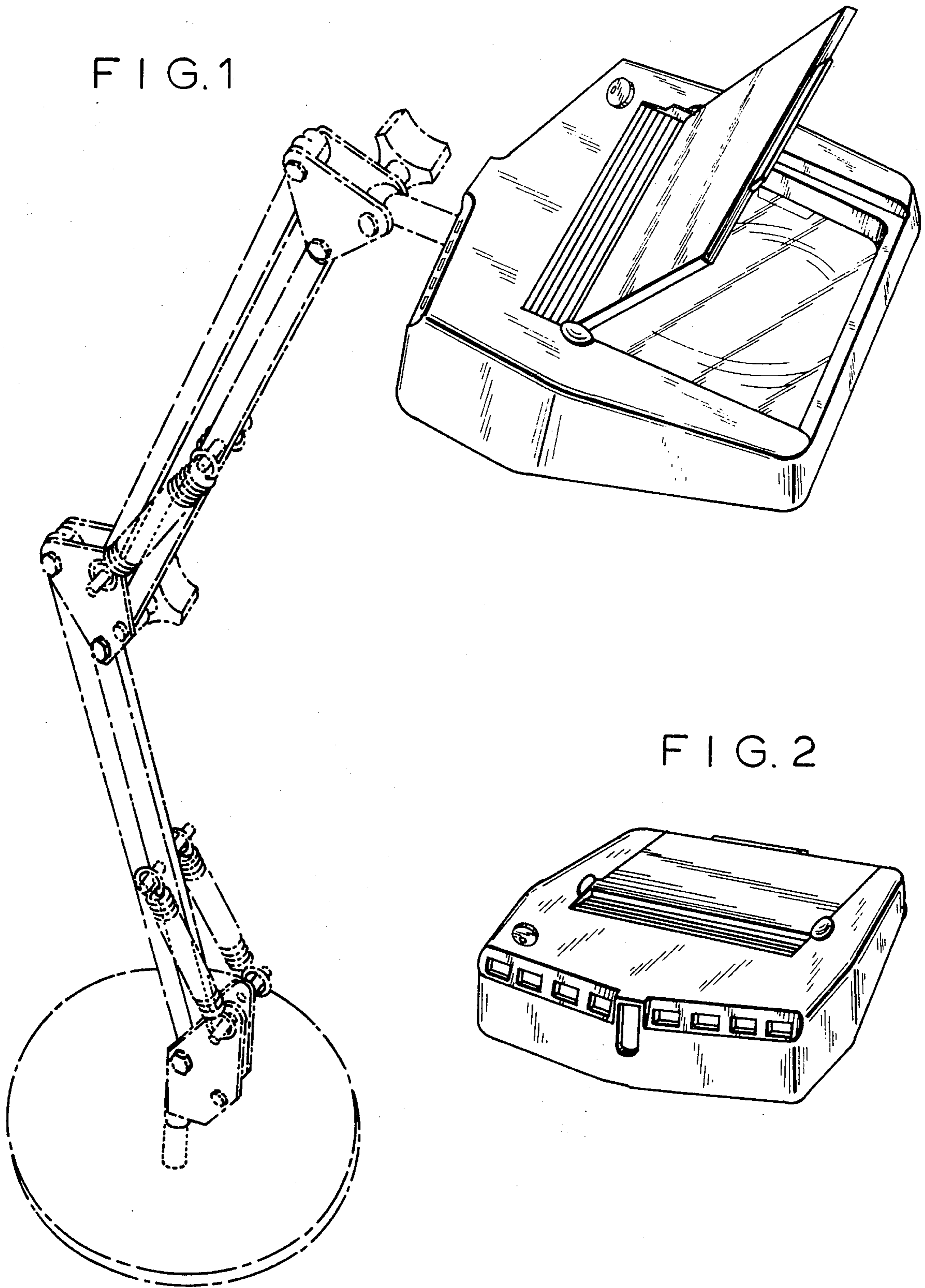
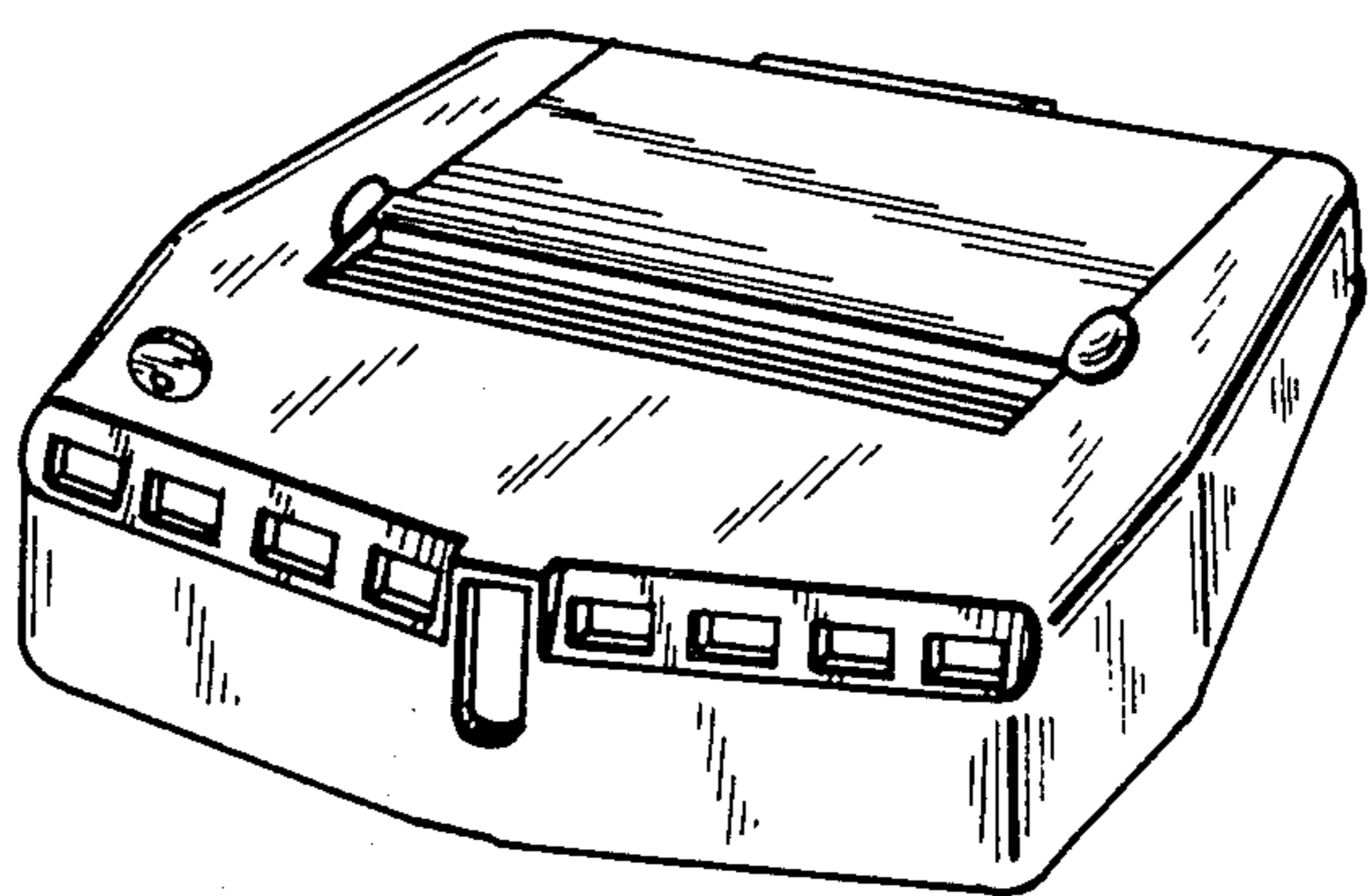


FIG. 2



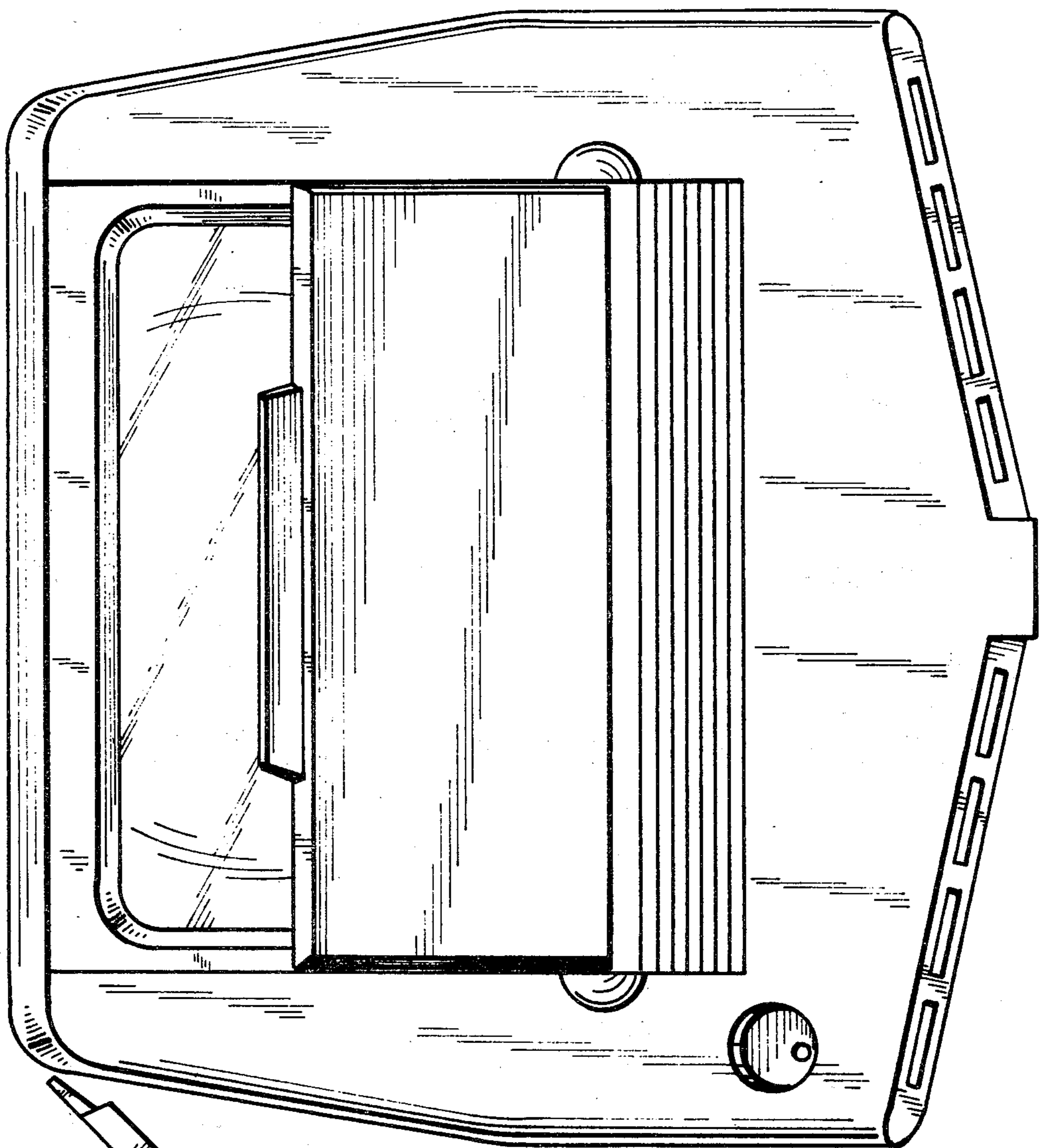


FIG. 3

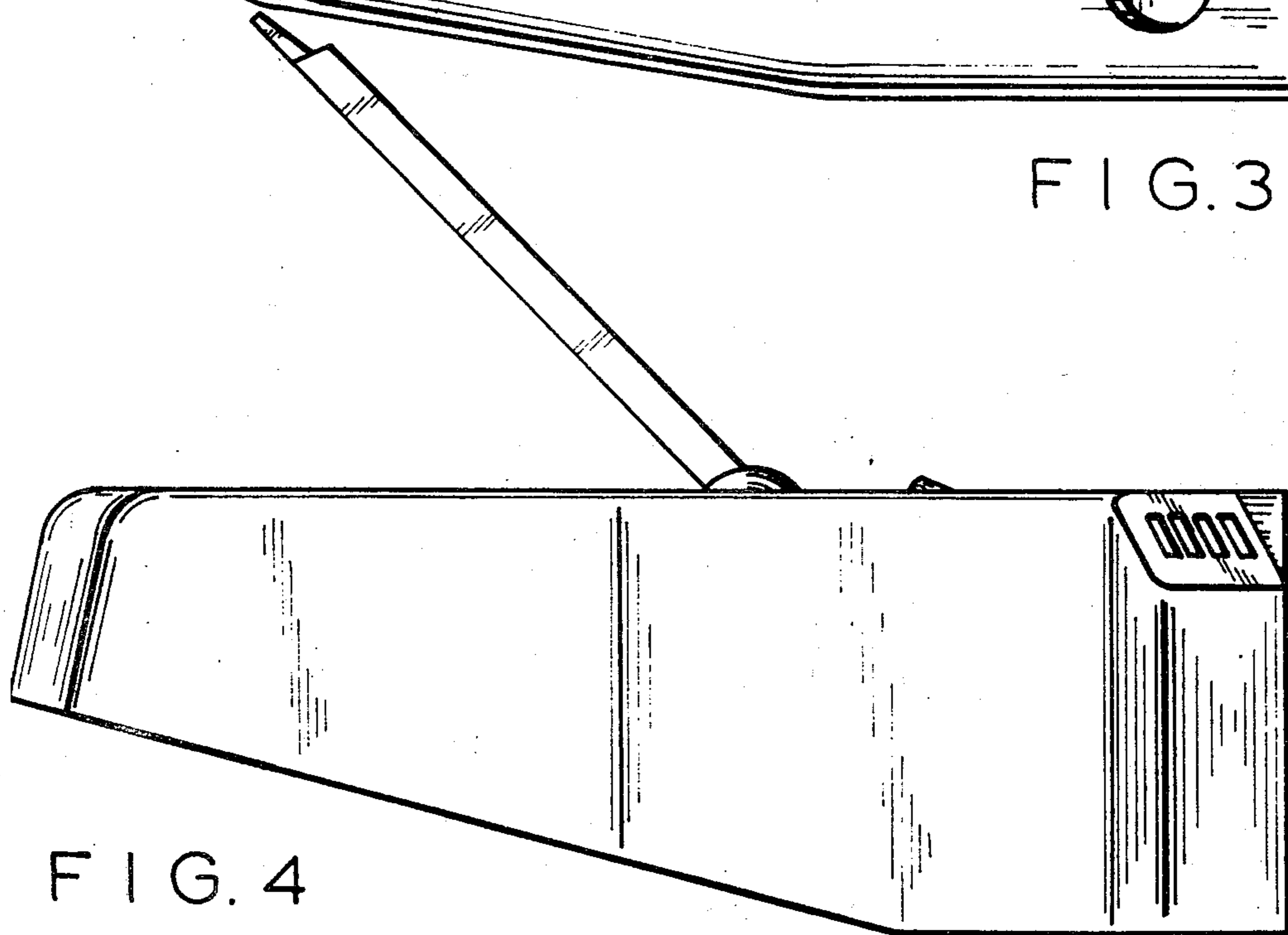


FIG. 4

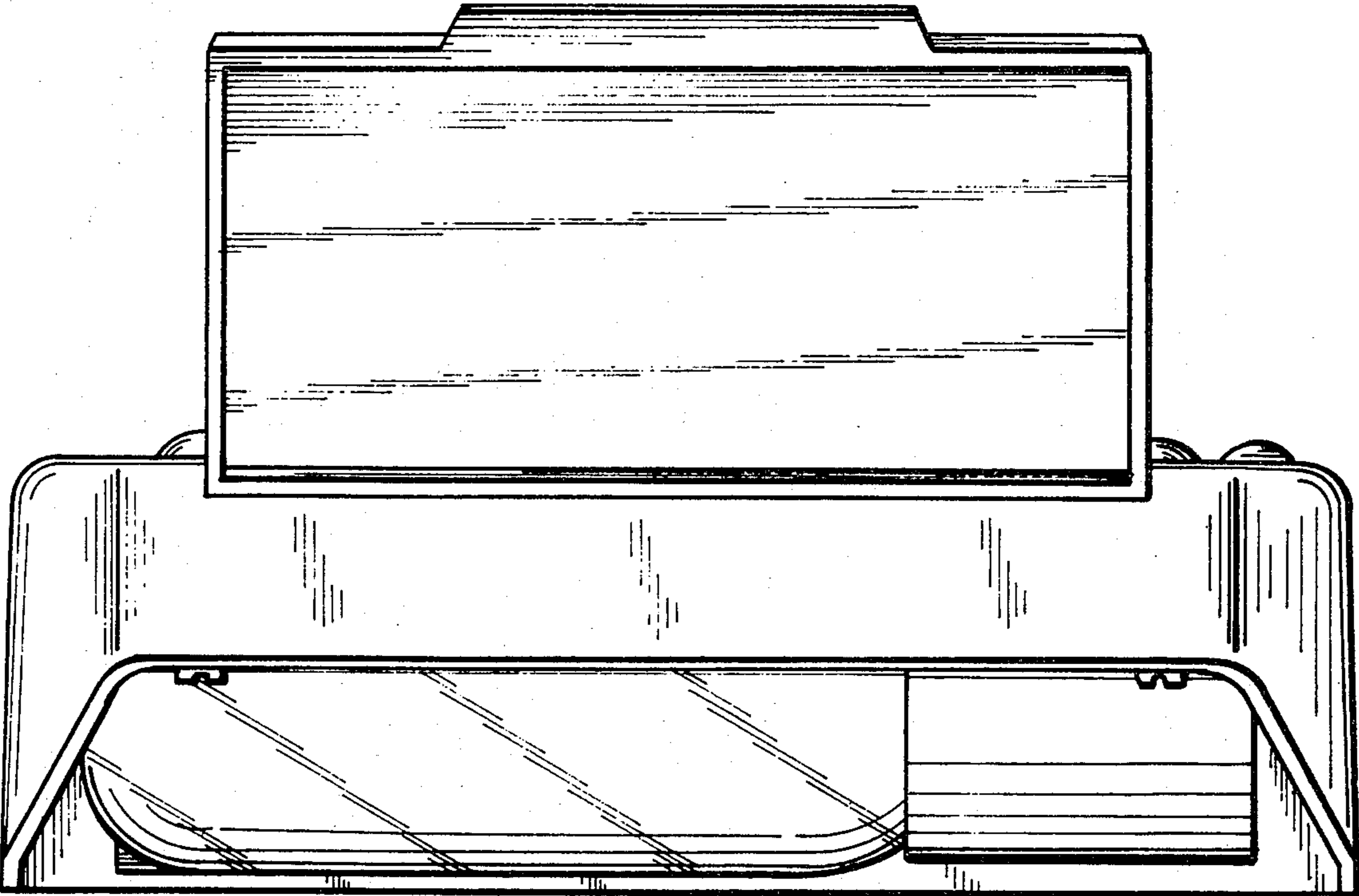


FIG. 5

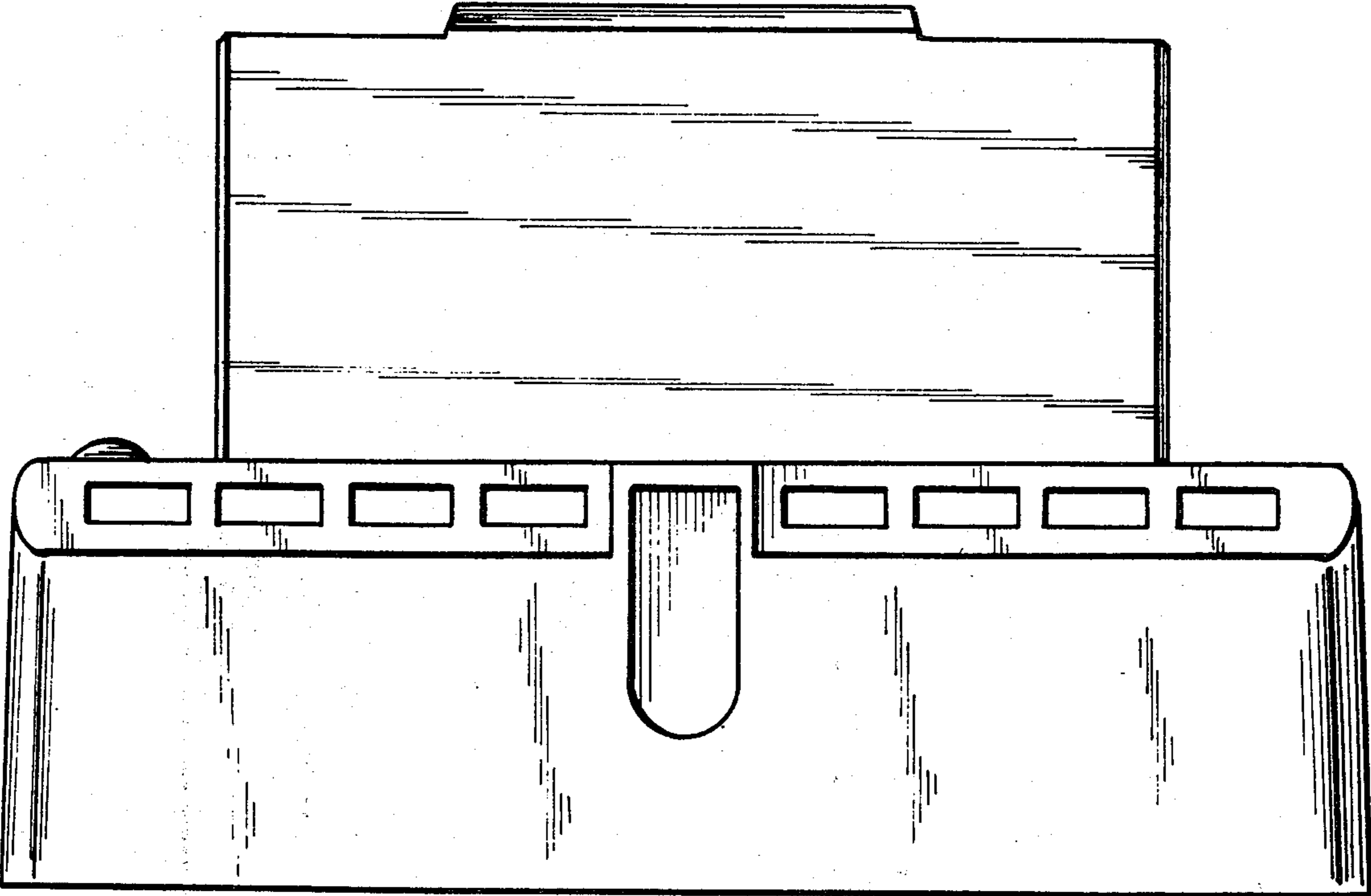


FIG. 6

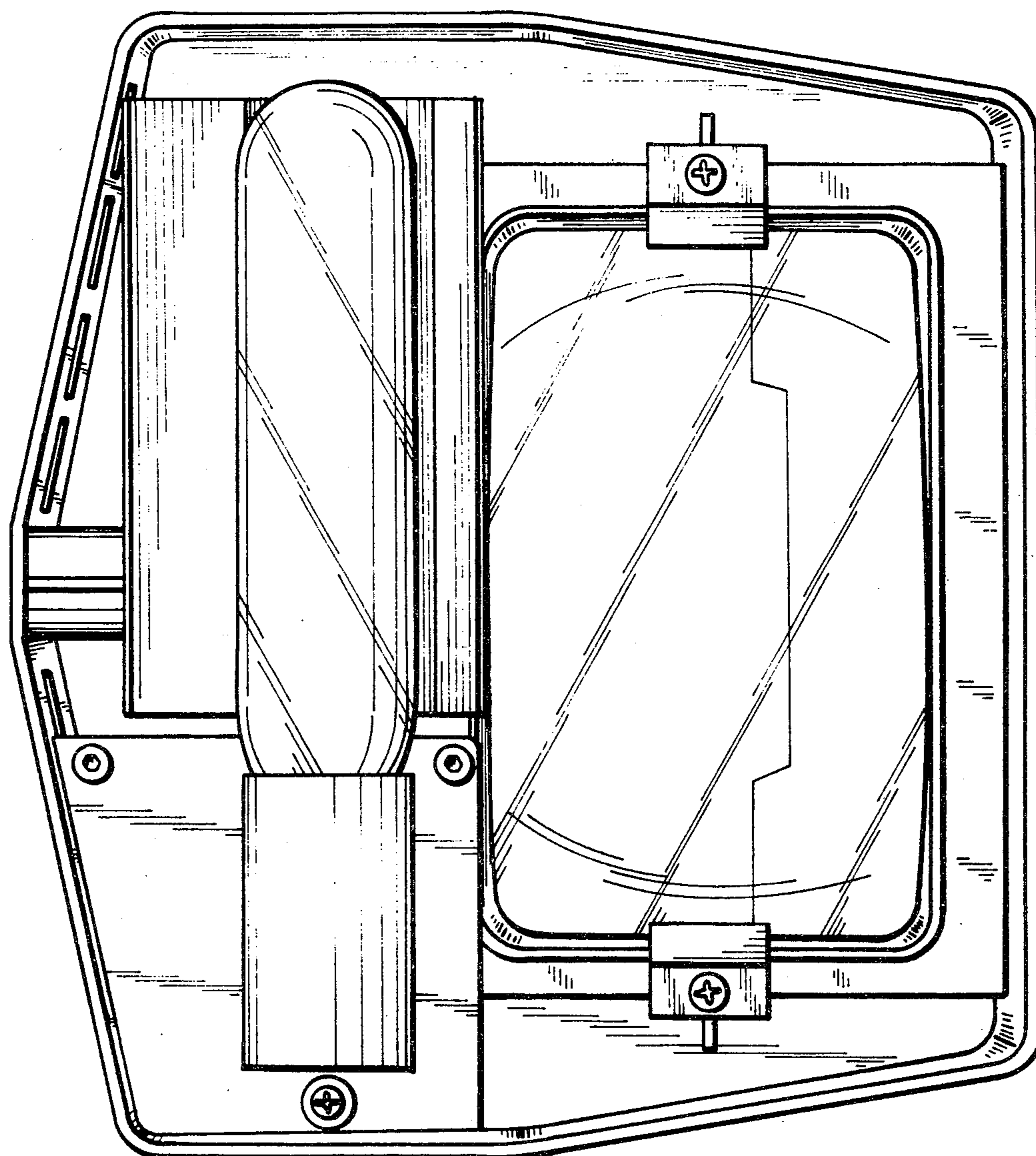


FIG. 7

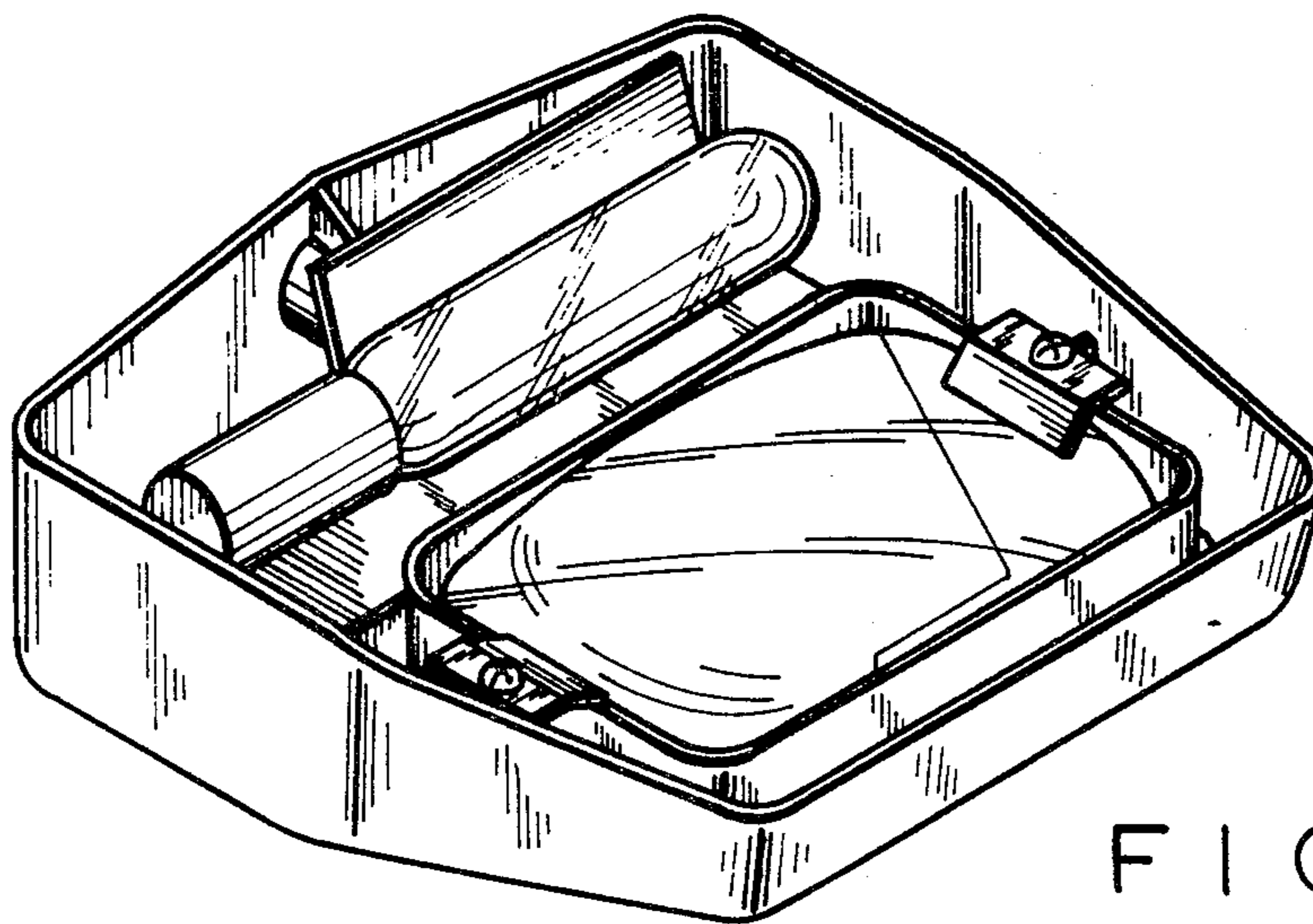


FIG. 8