

[54] VIDEO CAMERA

[75] Inventors: Shigeki Masatsugu, Sayama; Hideyo Hyuga, Tokyo; Yukinobu Ichikawa, Kodaira, all of Japan

[73] Assignee: Hitachi, Ltd., Tokyo, Japan

[\*\*] Term: 14 Years

[21] Appl. No.: 567,393

[22] Filed: Dec. 30, 1983

[30] Foreign Application Priority Data

Aug. 4, 1983 [JP] Japan ..... 58-28672  
[52] U.S. Cl. .... D14/78  
[58] Field of Search ..... D14/78, 5, 84; 358/906; 352/243, 242, 72; 354/293, 82

[56] References Cited

U.S. PATENT DOCUMENTS

D. 211,420 6/1968 Bozarth ..... D14/78

D. 221,305 7/1971 Fitzgibbons ..... D14/78  
D. 241,738 10/1976 Lee ..... D14/78  
D. 268,676 4/1983 Ottya ..... D14/78  
3,386,791 6/1968 Reinsch ..... 352/242 X  
4,150,884 4/1979 Reichen ..... 352/72 X

Primary Examiner—Bernard Ansher  
Assistant Examiner—Terry Pfeffer  
Attorney, Agent, or Firm—Antonelli, Terry & Wands

[57] CLAIM

The ornamental design for a video camera, as shown.

DESCRIPTION

FIG. 1 is a top, front and right side perspective view of a video camera showing our new design; FIG. 2 is a front elevational view thereof; FIG. 3 is a right side elevational view thereof; FIG. 4 is a top plan view thereof; FIG. 5 is a bottom plan view thereof; FIG. 6 is a rear elevational view thereof; and FIG. 7 is a left side elevational view thereof;

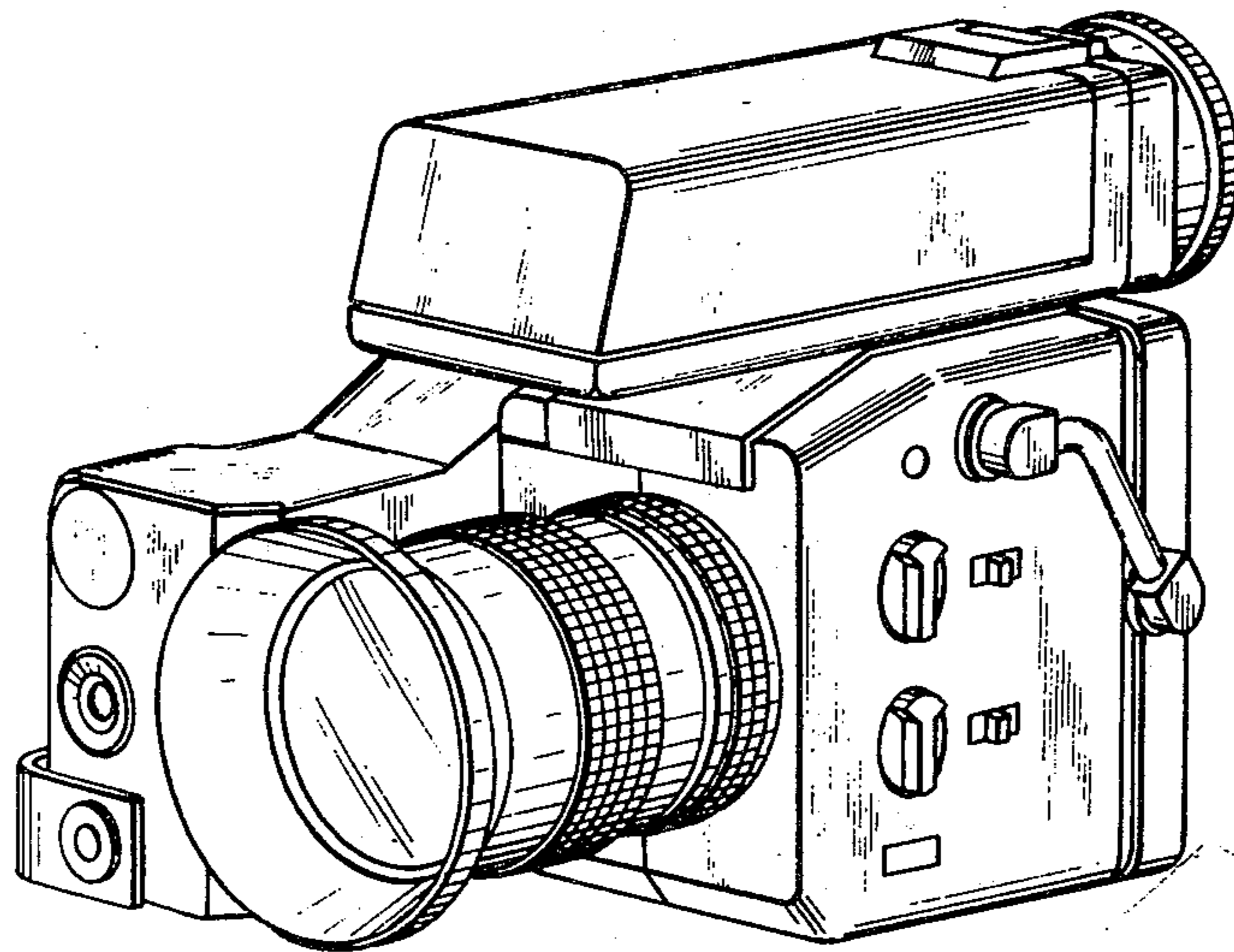


FIG. 1

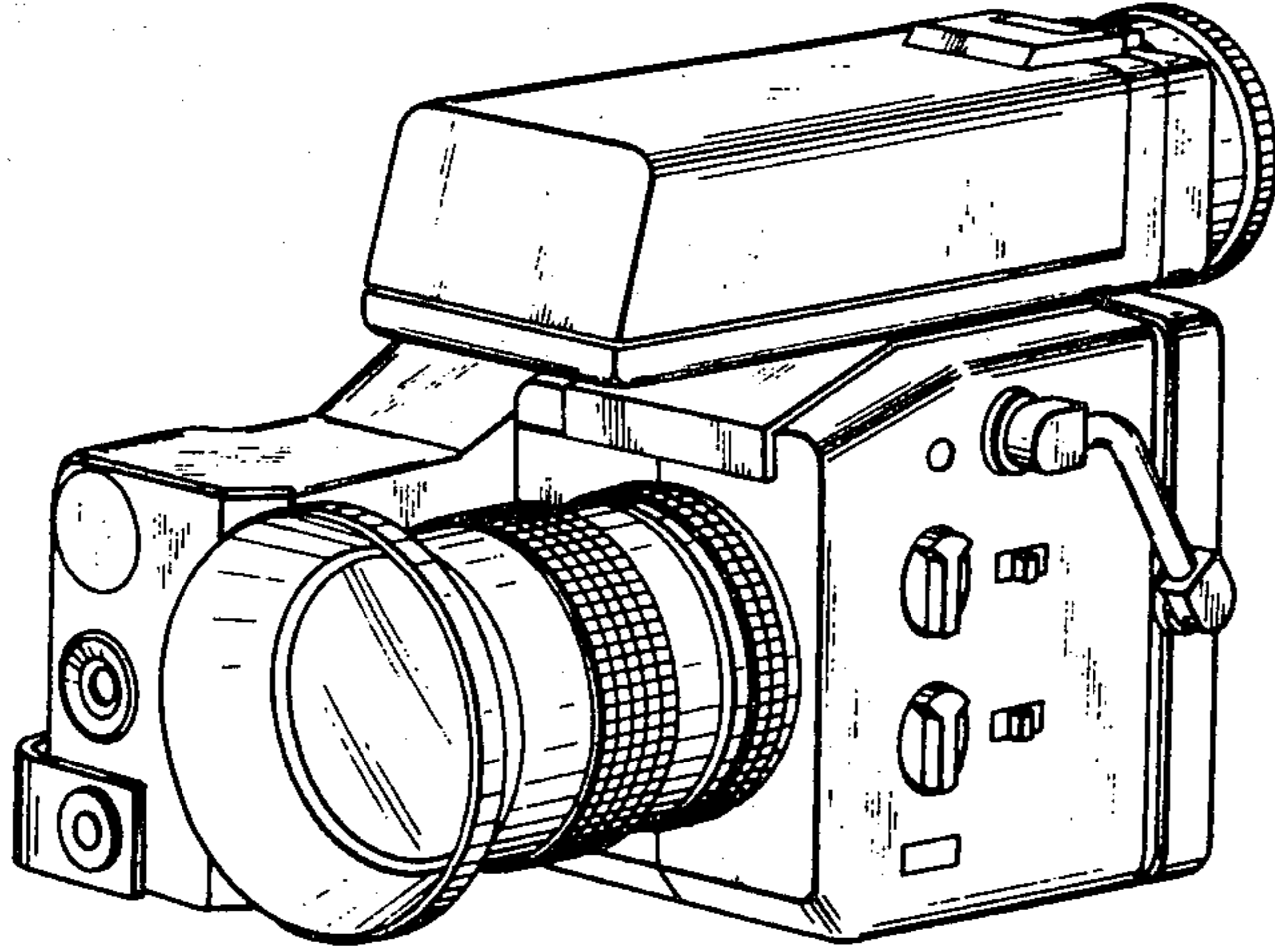


FIG. 2

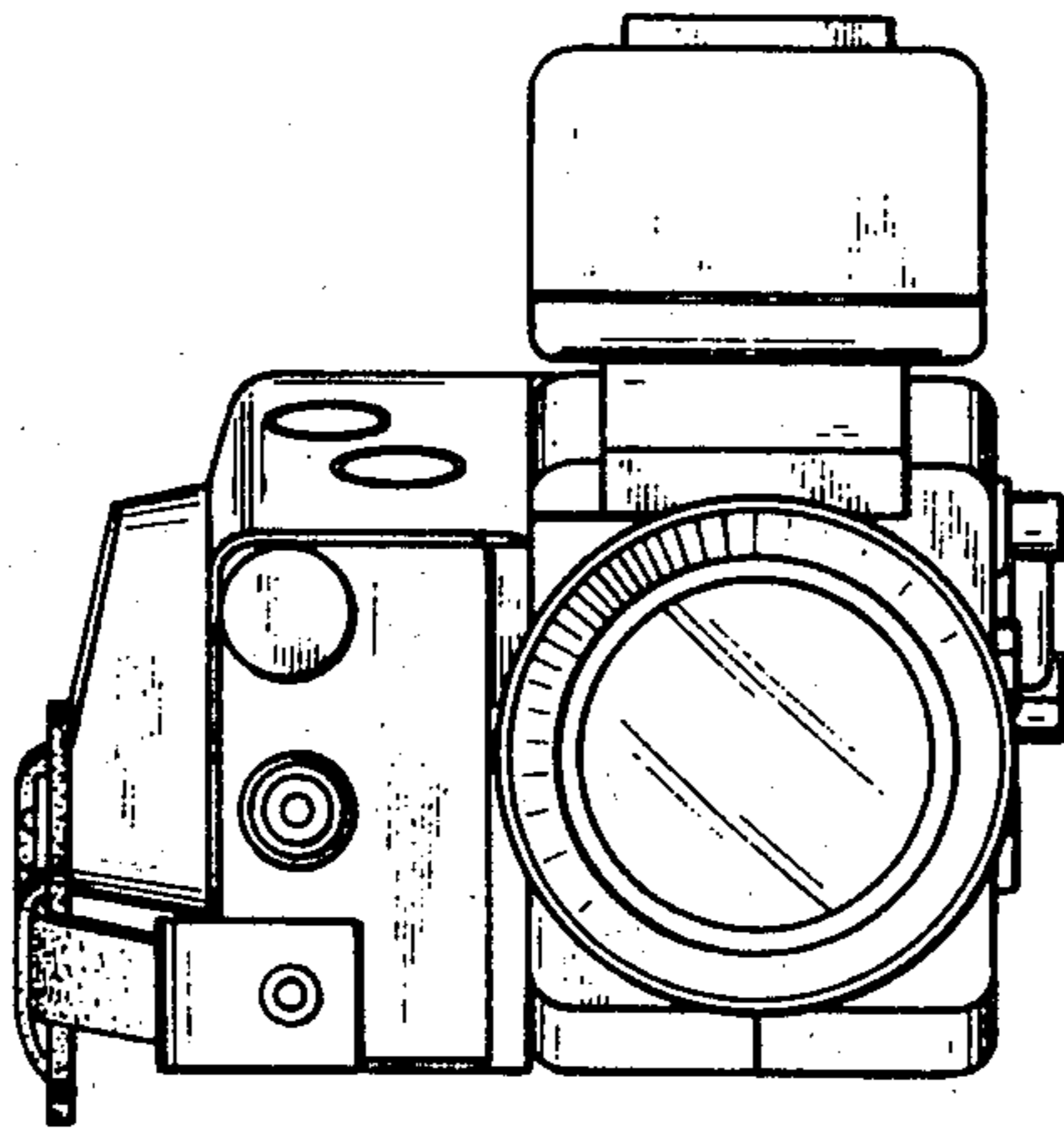


FIG. 3

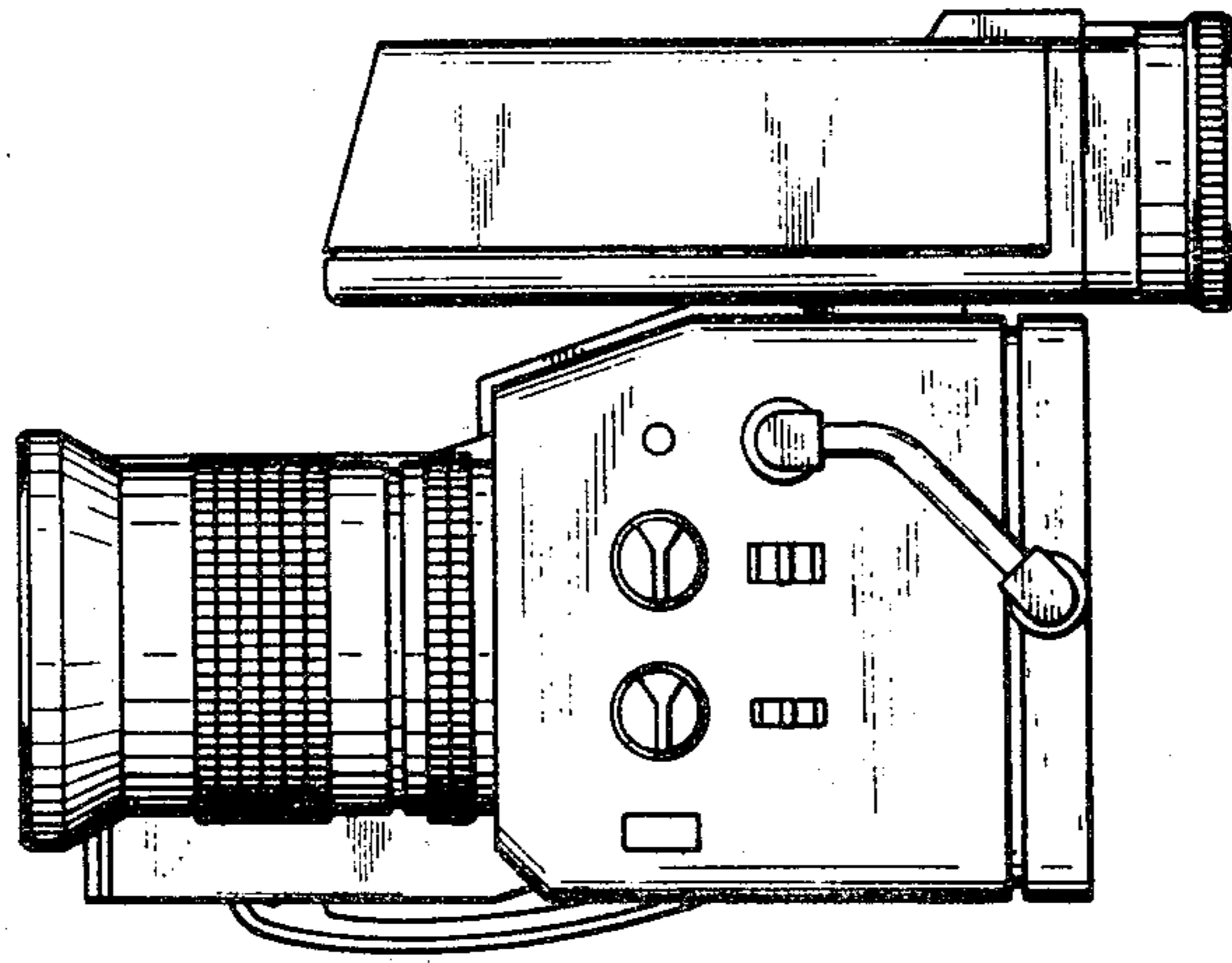


FIG. 4

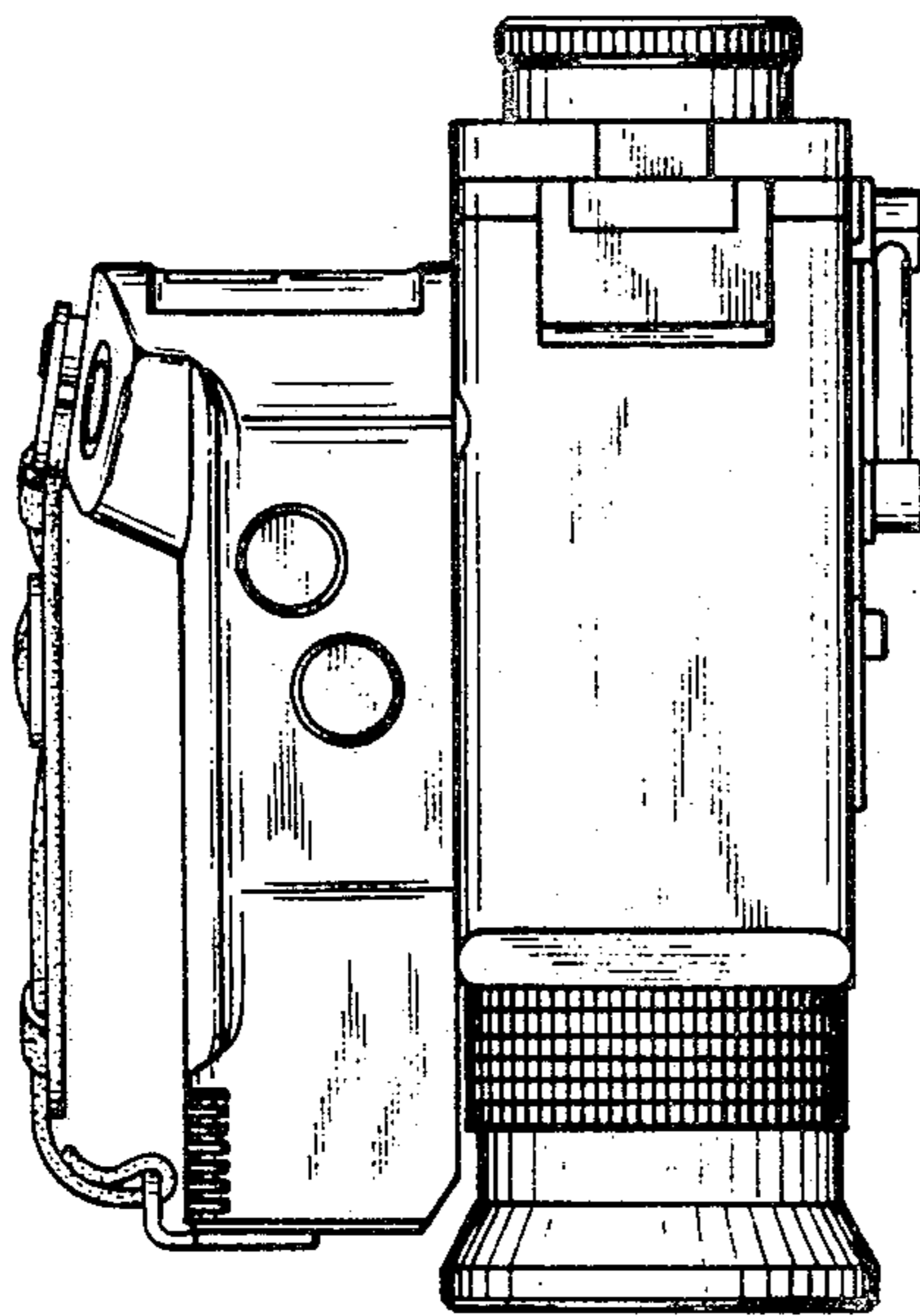


FIG. 5

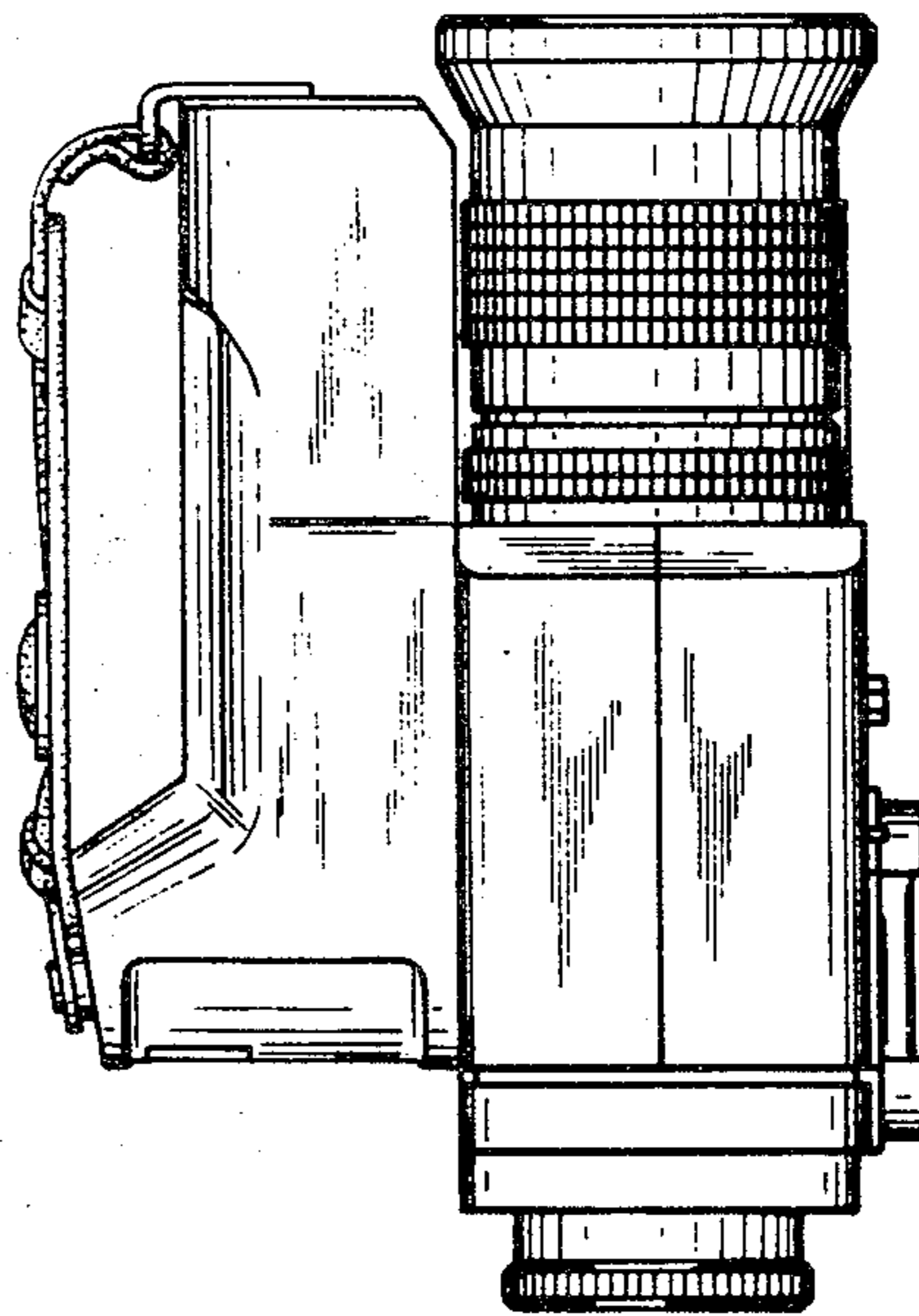


FIG. 6

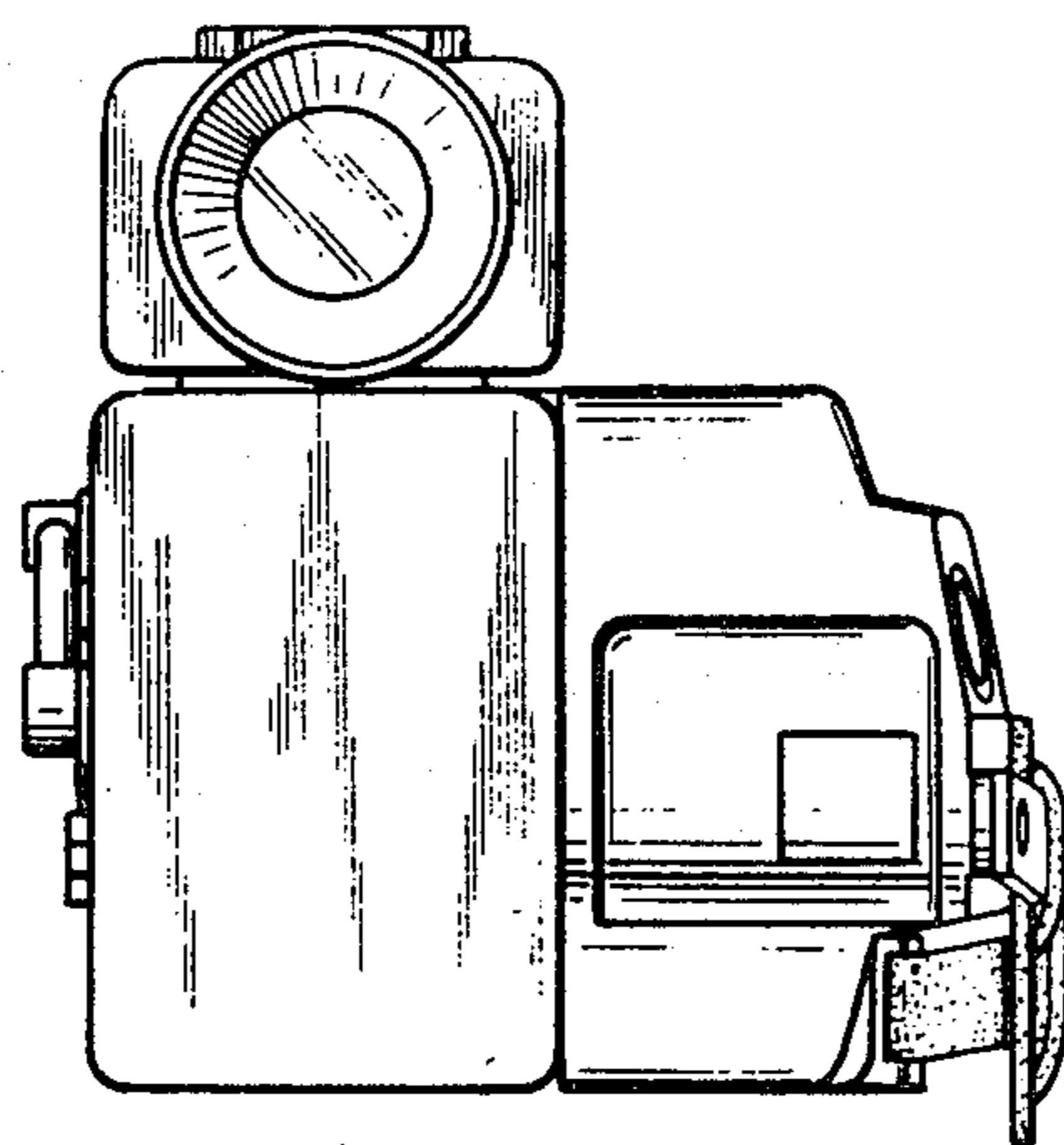


FIG. 7

