

[54] WHEEL

[75] Inventor: Michael R. Flodman, Grand Island, Nebr.

[73] Assignee: Hedstrom Corporation, Bedford, Pa.

[\*\*] Term: 14 Years

[21] Appl. No.: 439,950

[22] Filed: Nov. 8, 1982

[52] U.S. Cl. .... D12/211

[58] Field of Search ..... D12/205, 209, 211; 301/63 R, 64 R, 645 D, 65, 66, 73

[56] References Cited

U.S. PATENT DOCUMENTS

D. 46,710	11/1914	West	.....	D12/205
D. 249,680	9/1978	Smith	.....	D12/205
361,914	4/1887	Wing	.....	D12/205
907,991	12/1908	Goodfellow	.....	301/65

OTHER PUBLICATIONS

Cycle World, 1/76, p. 23, Lester Wheel. Modern Materials Handling, 11/62, p. 144, Caster Wheel, upper left side of page.

Primary Examiner—James M. Gandy  
Attorney, Agent, or Firm—Cesari and McKenna

[57] CLAIM

The ornamental design for a wheel, as shown and described.

DESCRIPTION

FIG. 1 is a perspective view of a wheel showing my new design;  
FIG. 2 is a side elevational view thereof;  
FIG. 3 is an elevational view showing the other side thereof;  
FIG. 4 is an end elevational view thereof; and  
FIG. 5 is a fragmentary side elevational view of a wheel showing a second embodiment of my new design wherein the only difference resides in the addition of a V-shaped rib spaced radially inwardly of the triangular shaped aperture in each of the six spoke members.

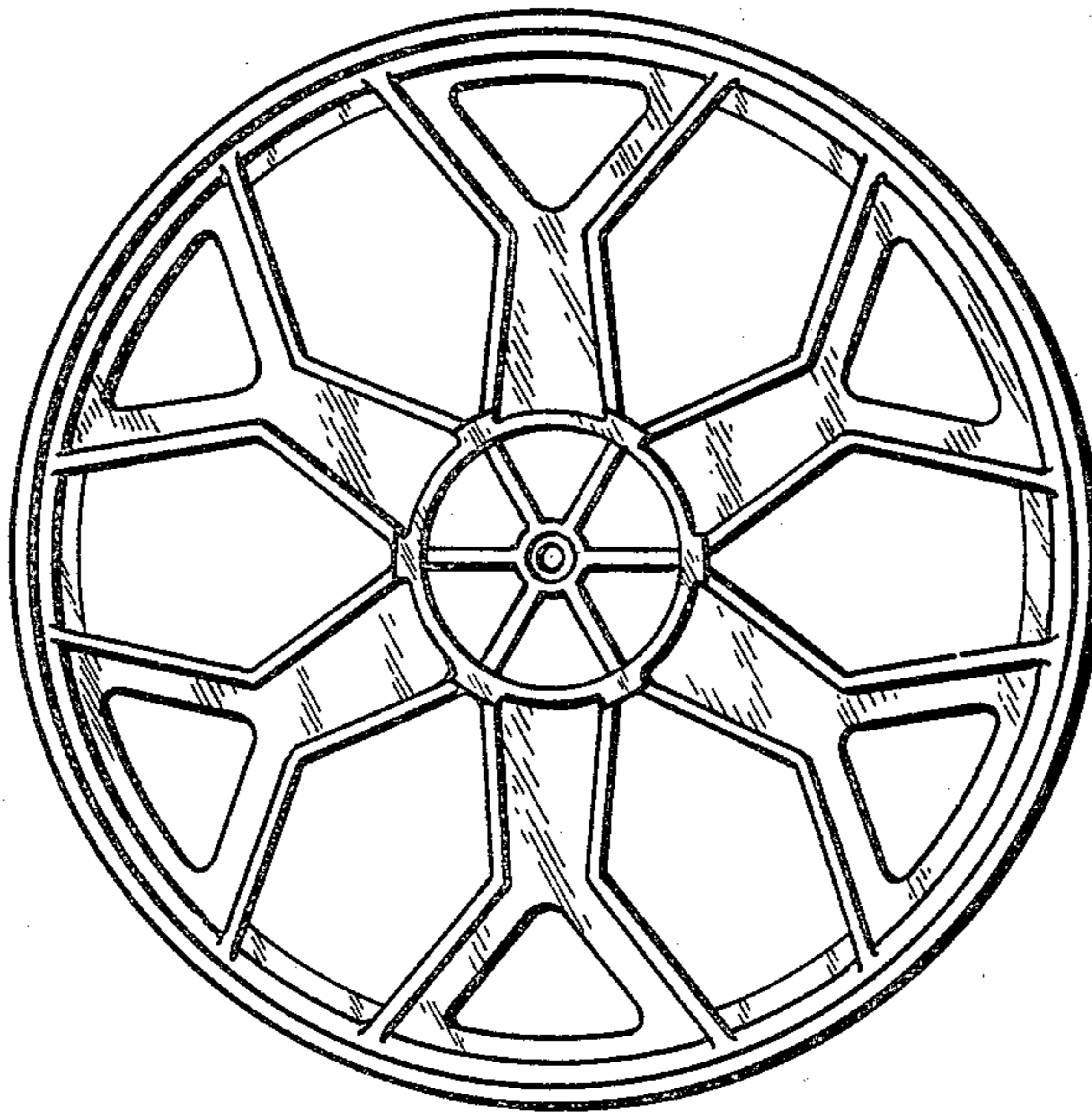


FIG.1

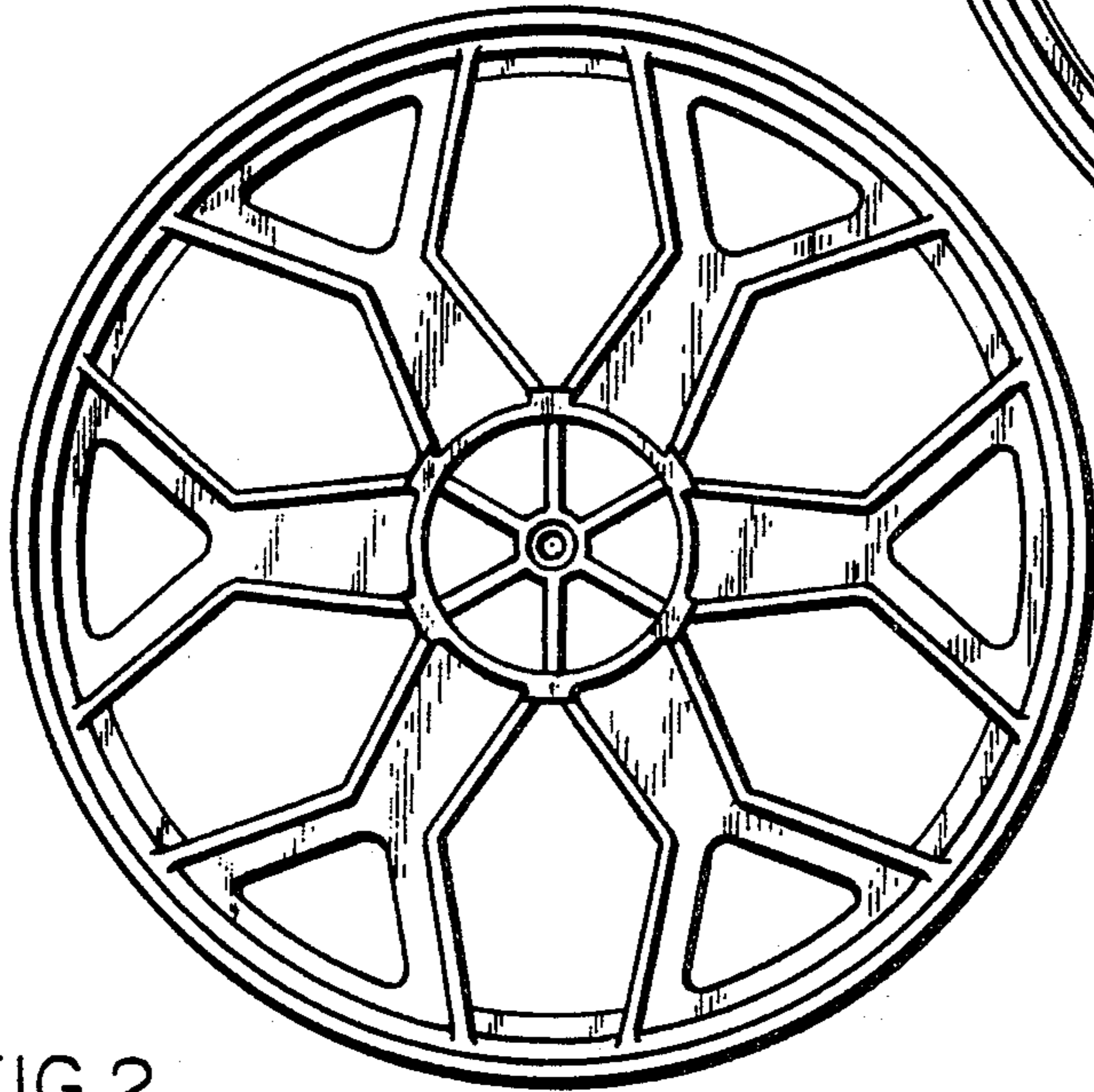
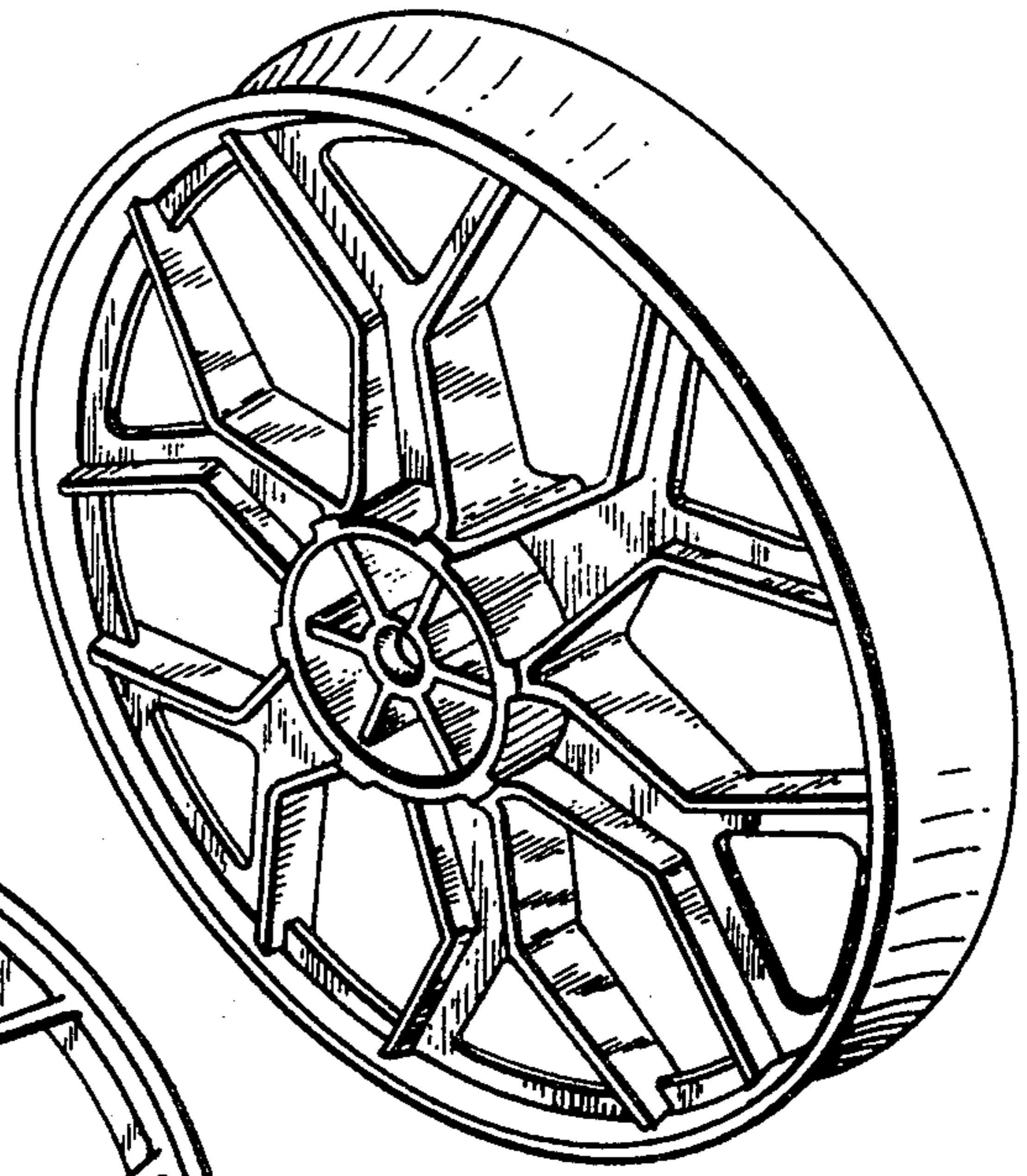


FIG.2

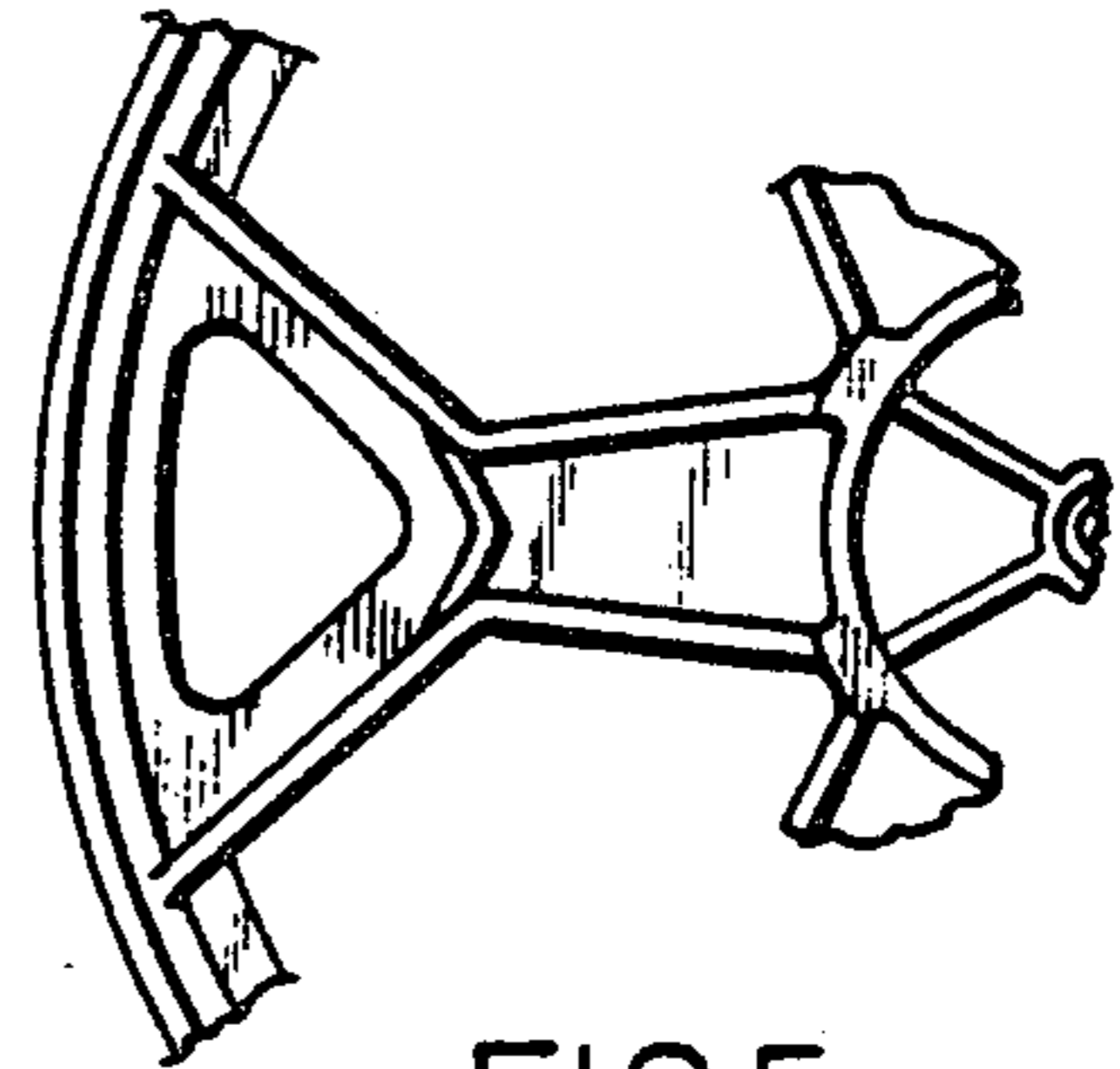


FIG.5

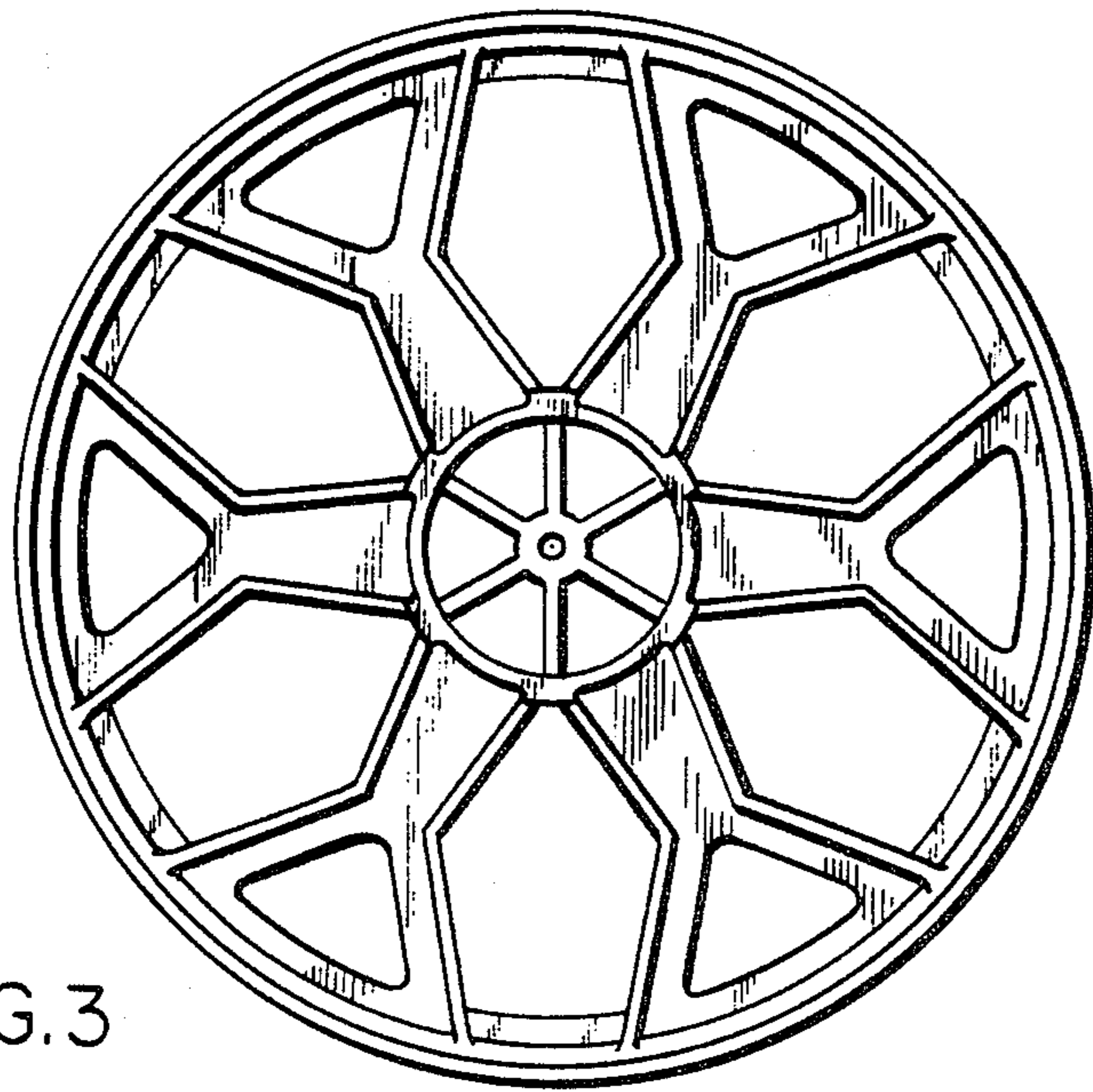


FIG.3

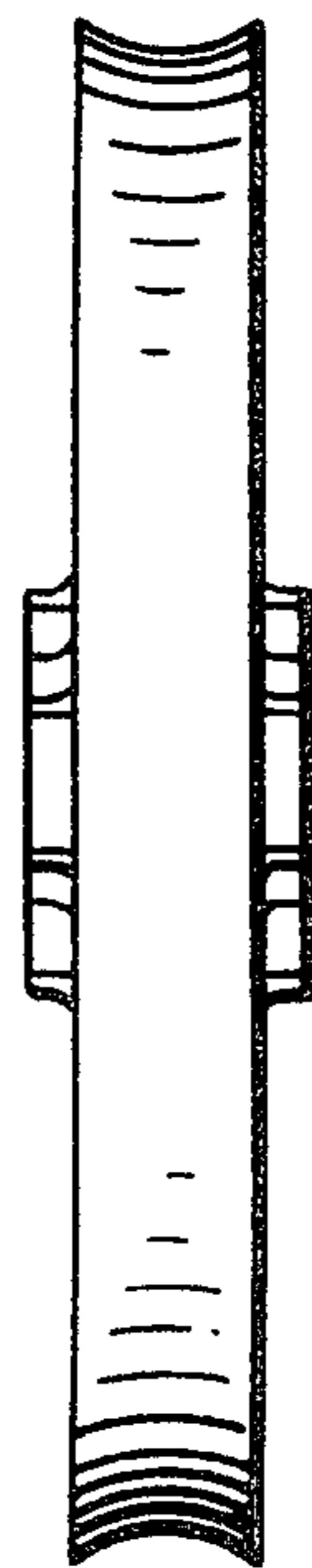


FIG.4