

[54] FENDER HANGER

[76] Inventor: Robert F. O'Neil, 14 Tiffany Cir., West Bridgewater, Mass. 02379

[\*\*] Term: 14 Years

[21] Appl. No.: 596,650

[22] Filed: Apr. 4, 1984

[52] U.S. Cl. .... D12/185

[58] Field of Search ..... D12/185; 280/154.5 R

[56] References Cited

U.S. PATENT DOCUMENTS

D. 171,916 4/1954 Tarbox ..... D12/185

OTHER PUBLICATIONS

J. C. Whitney Catalog No. 366F, ©1977, p. 65, Extra

Wide Splash Guards, third box down from top left side of page.

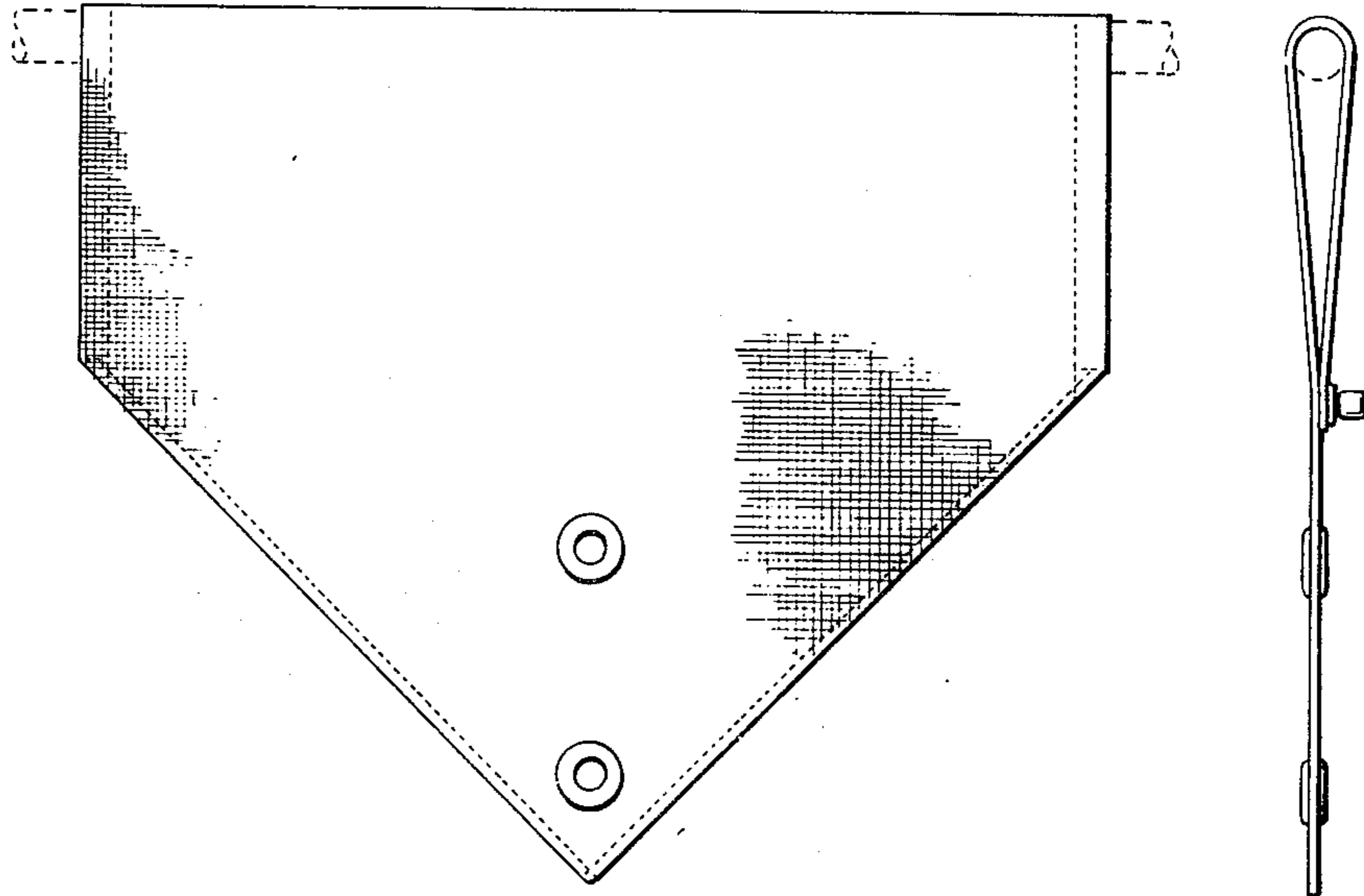
Primary Examiner—James M. Gandy  
Attorney, Agent, or Firm—Thompson, Birch, Gauthier & Samuels

[57] CLAIM

The ornamental design for a fender hanger, as shown and described.

DESCRIPTION

FIG. 1 is a elevation view of the fender hanger as seen from the front;  
FIG. 2 is a right side elevation view of the fender hanger;  
FIG. 3 is a rear elevation view of the fender hanger;  
FIG. 4 is a top plan view of the fender hanger; and  
FIG. 5 is a bottom plan view of the fender hanger.  
The broken lines in the drawing are for illustrative purposes only and form no part of the design.



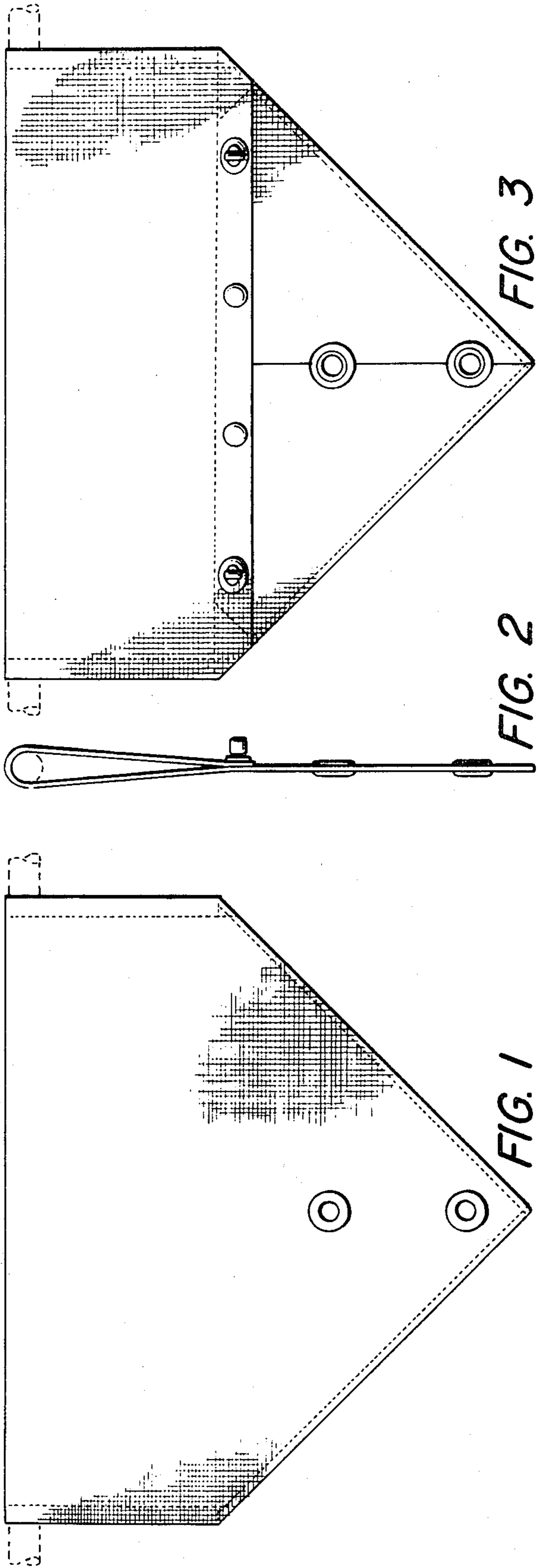


FIG. 3

FIG. 2

FIG. 1

FIG. 5

FIG. 4