

[54] **FOOT PEDAL PAD FOR AUTOMOTIVE VEHICLES**

[75] **Inventor: Frank T. Eichstadt, Westminster, Calif.**

[73] **Assignee: Mr. Gasket Company, Cleveland, Ohio**

[**] **Term: 14 Years**

[21] **Appl. No.: 548,641**

[22] **Filed: Nov. 4, 1983**

[52] **U.S. Cl. D12/174**

[58] **Field of Search D12/174, 203; D25/69; 74/560, 563, 564; 280/169**

[56] **References Cited**

U.S. PATENT DOCUMENTS

D. 13,422	11/1882	Pope	D12/203
D. 28,657	5/1898	Du Brul	D12/174
1,182,579	5/1916	Mason	74/563
1,601,708	9/1926	Thomas	280/169

FOREIGN PATENT DOCUMENTS

523405 1/1920 France 280/169

Primary Examiner—James M. Gandy
Attorney, Agent, or Firm—Roylance, Abrams, Berdo & Goodman

[57] **CLAIM**

The ornamental design for a foot pedal pad for automotive vehicles, as shown and described.

DESCRIPTION

FIG. 1 is a perspective view of a foot pedal pad for automotive vehicles showing my new design;
FIG. 2 is a side elevation view thereof to an enlarged scale;
FIG. 3 is a top plan view thereof to an enlarged scale;
FIG. 4 is a bottom plan view thereof to an enlarged scale; and
FIG. 5 is a front elevation view thereof to an enlarged scale, it being understood that the rear is a mirror image of the front shown.

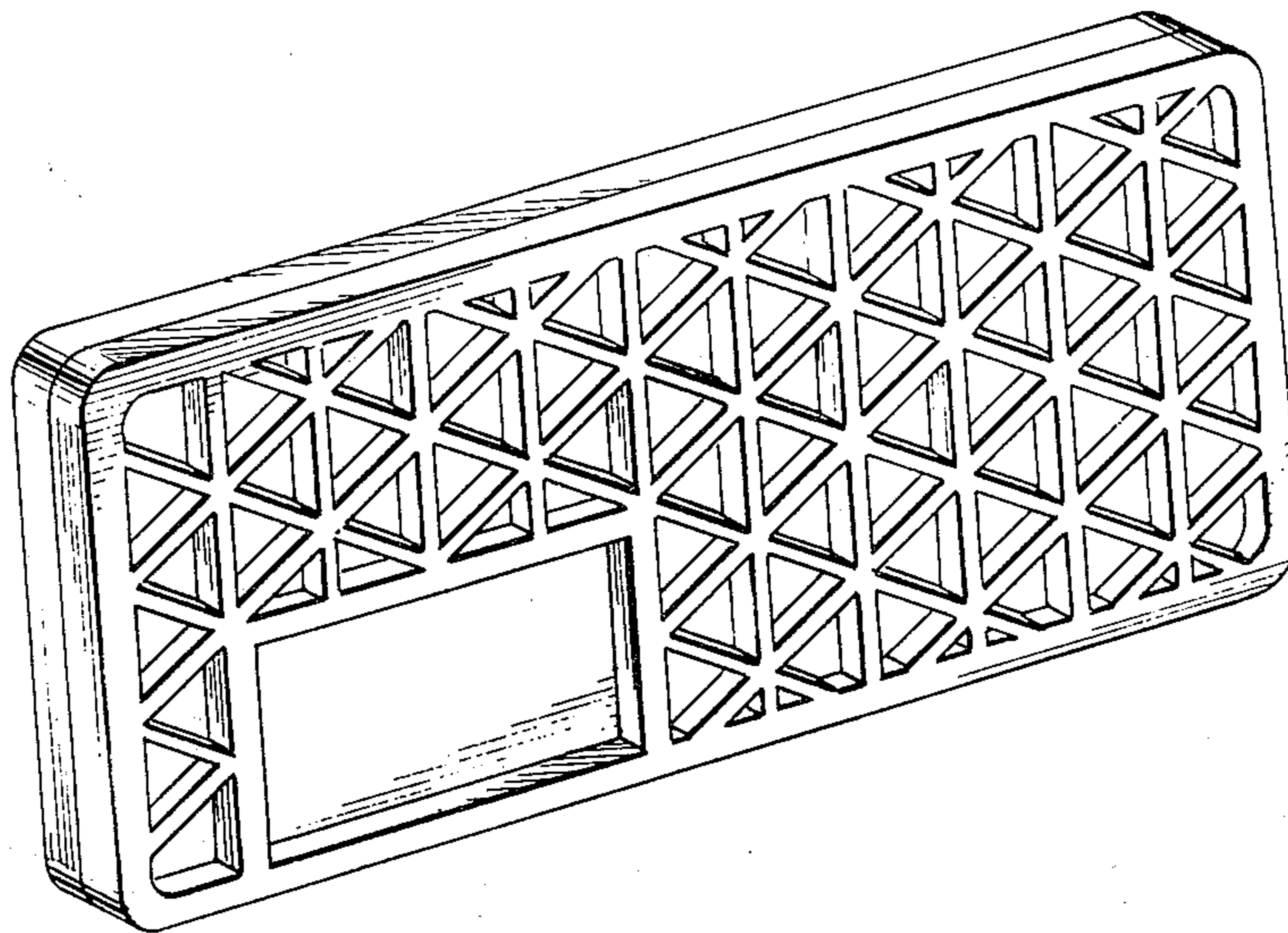


FIG. 1

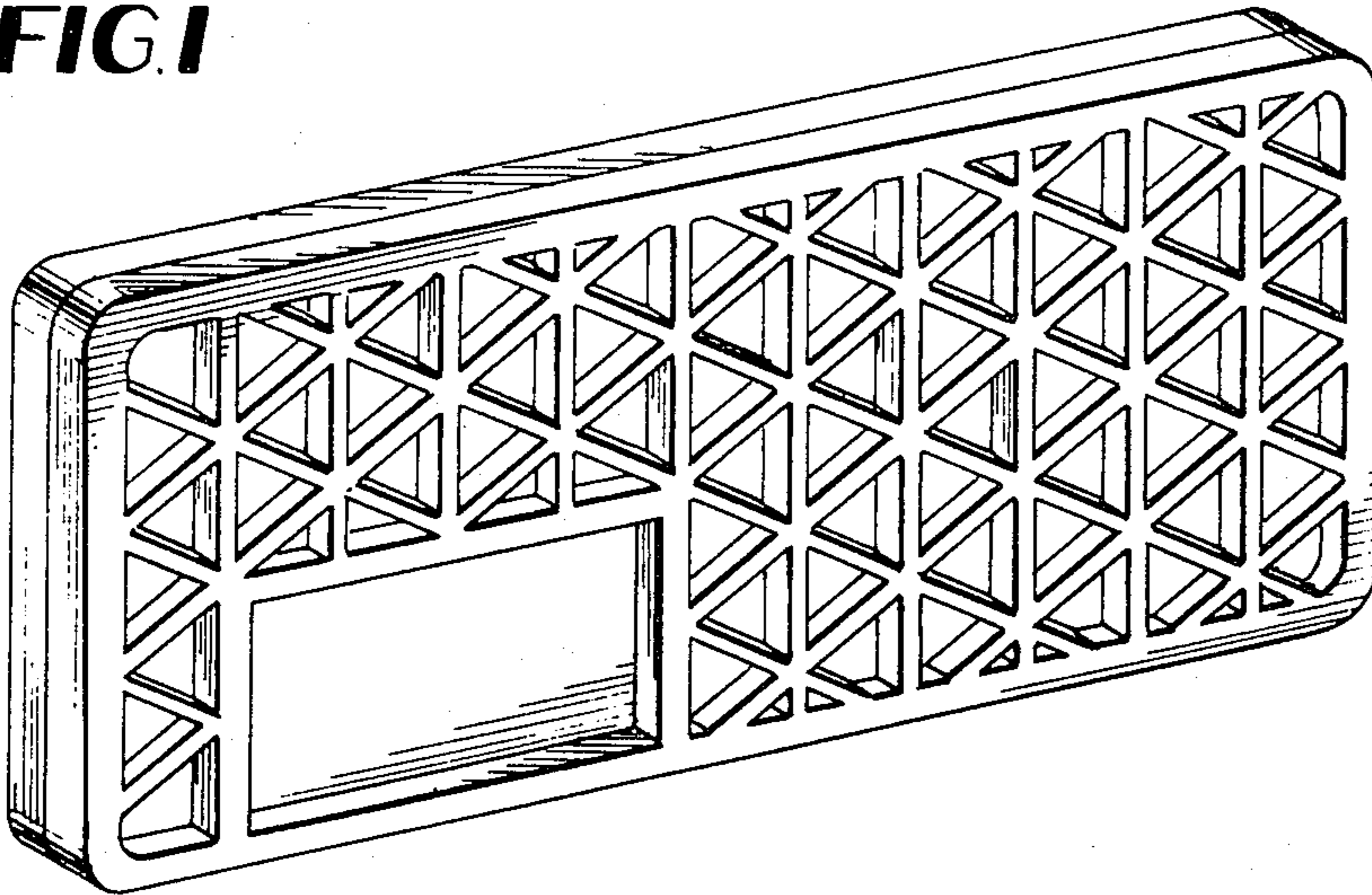


FIG. 2

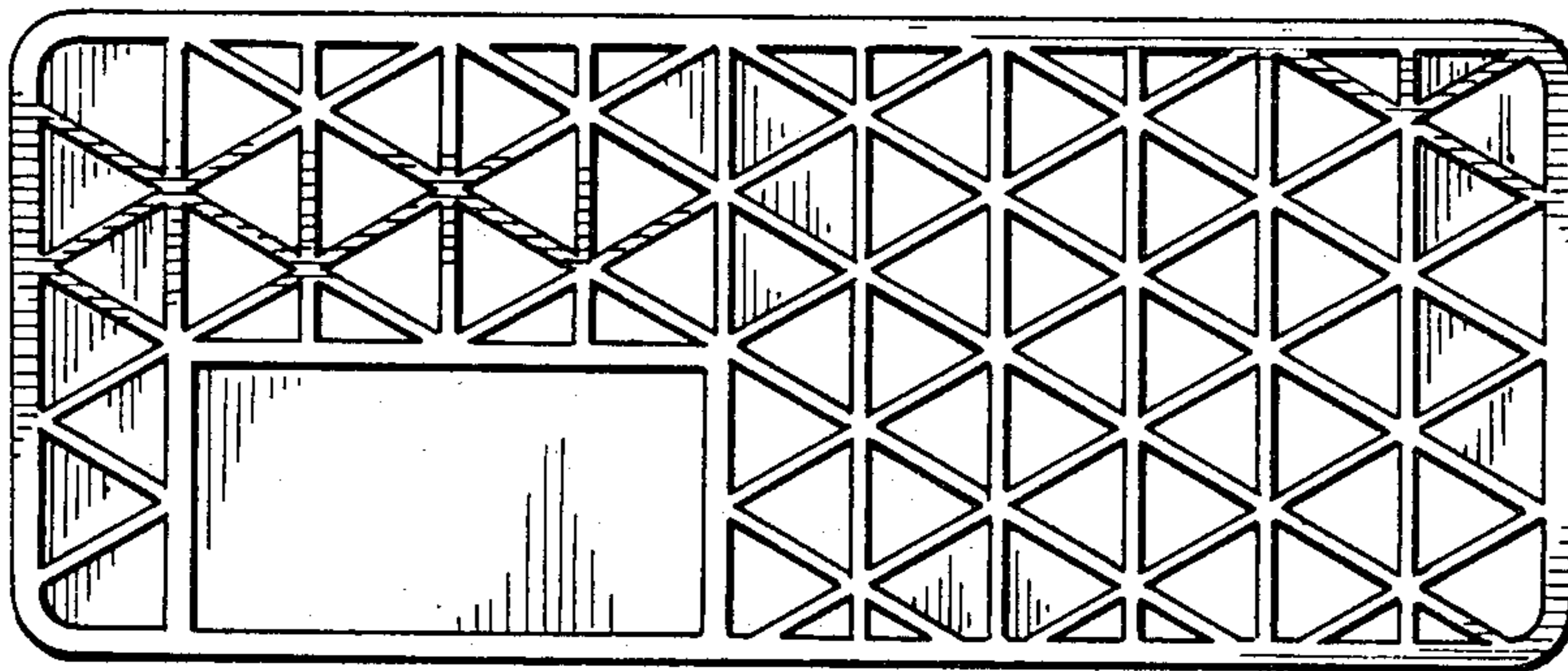


FIG. 3

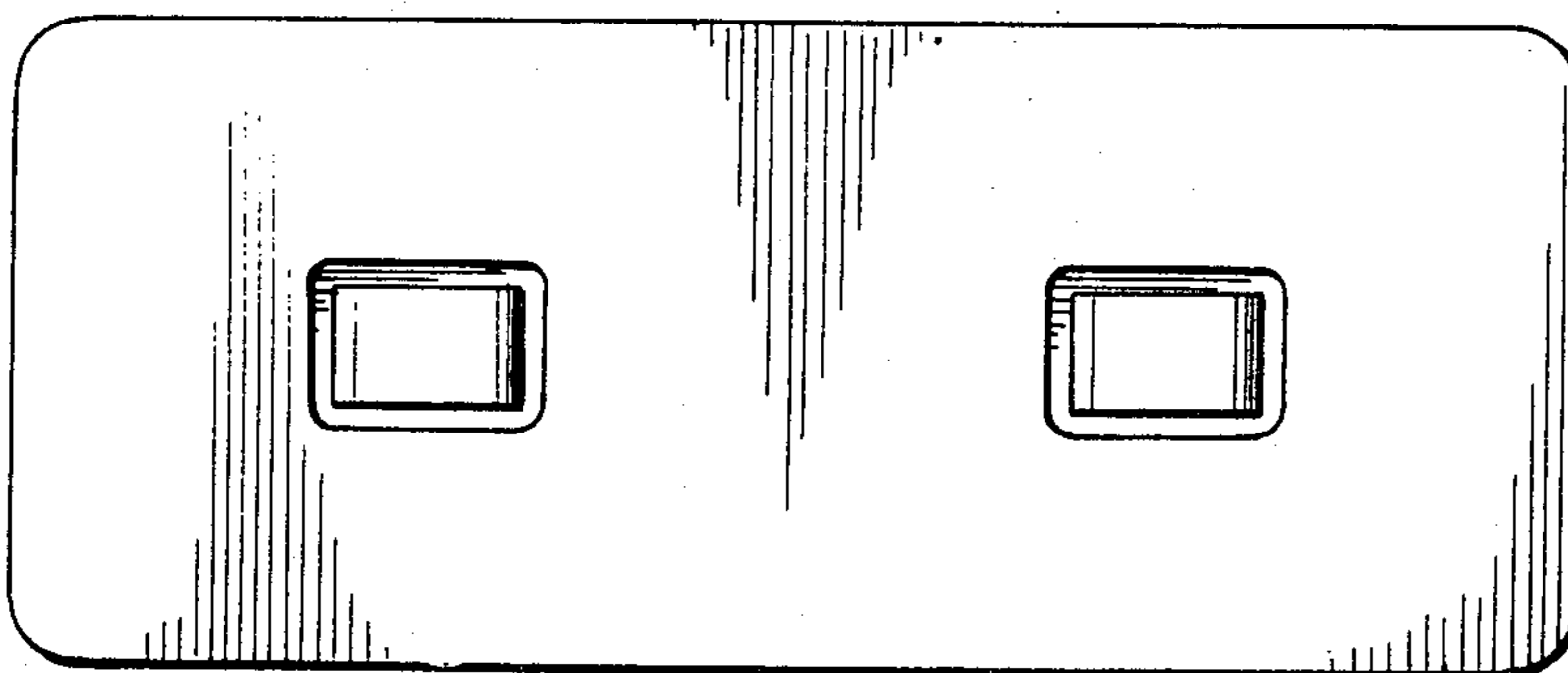


FIG. 4

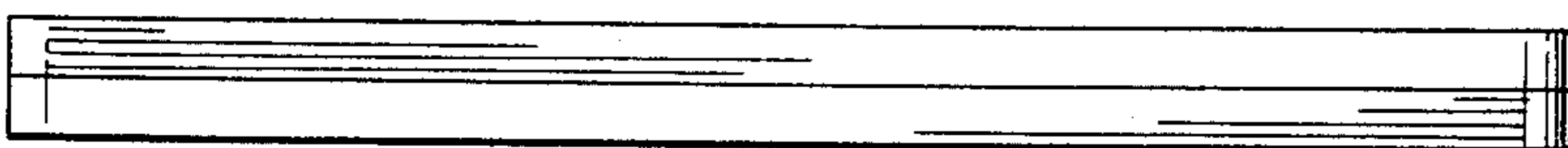


FIG. 5

Disclaimer

Des. 284,070.—*Frank T. Eichstadt*, Westminister, Calif. FOOT PEDAL PAD FOR AUTOMOTIVE VEHICLES. Patent dated June 3, 1986. Disclaimer filed Mar. 29, 1989, by the assignee, M Gasket Co.

Hereby enters this disclaimer to the entire term of said patent
[*Official Gazette May 9, 1989*]