

[54] **CHAIN LINK FOR CONVEYORS**

[75] **Inventors: Timothy W. Tod, Abergavenny; Roger J. Tod, Crickhowell, both of Wales; Robert D. Bellis, Delph, Nr. Oldham, England**

[73] **Assignee: Coin Controls Limited, Oldham, England**

[**] **Term: 14 Years**

[21] **Appl. No.: 524,736**

[22] **Filed: Aug. 19, 1983**

[30] **Foreign Application Priority Data**

Jun. 15, 1983 [GB] United Kingdom 831013567
[52] **U.S. Cl. D8/499; D34/35**
[58] **Field of Search D34/29, 35; 198/850, 198/852, 853; D8/499**

[56] **References Cited**

U.S. PATENT DOCUMENTS

3,776,349 12/1973 Kampfer 198/852
4,429,785 2/1984 Dango 198/852

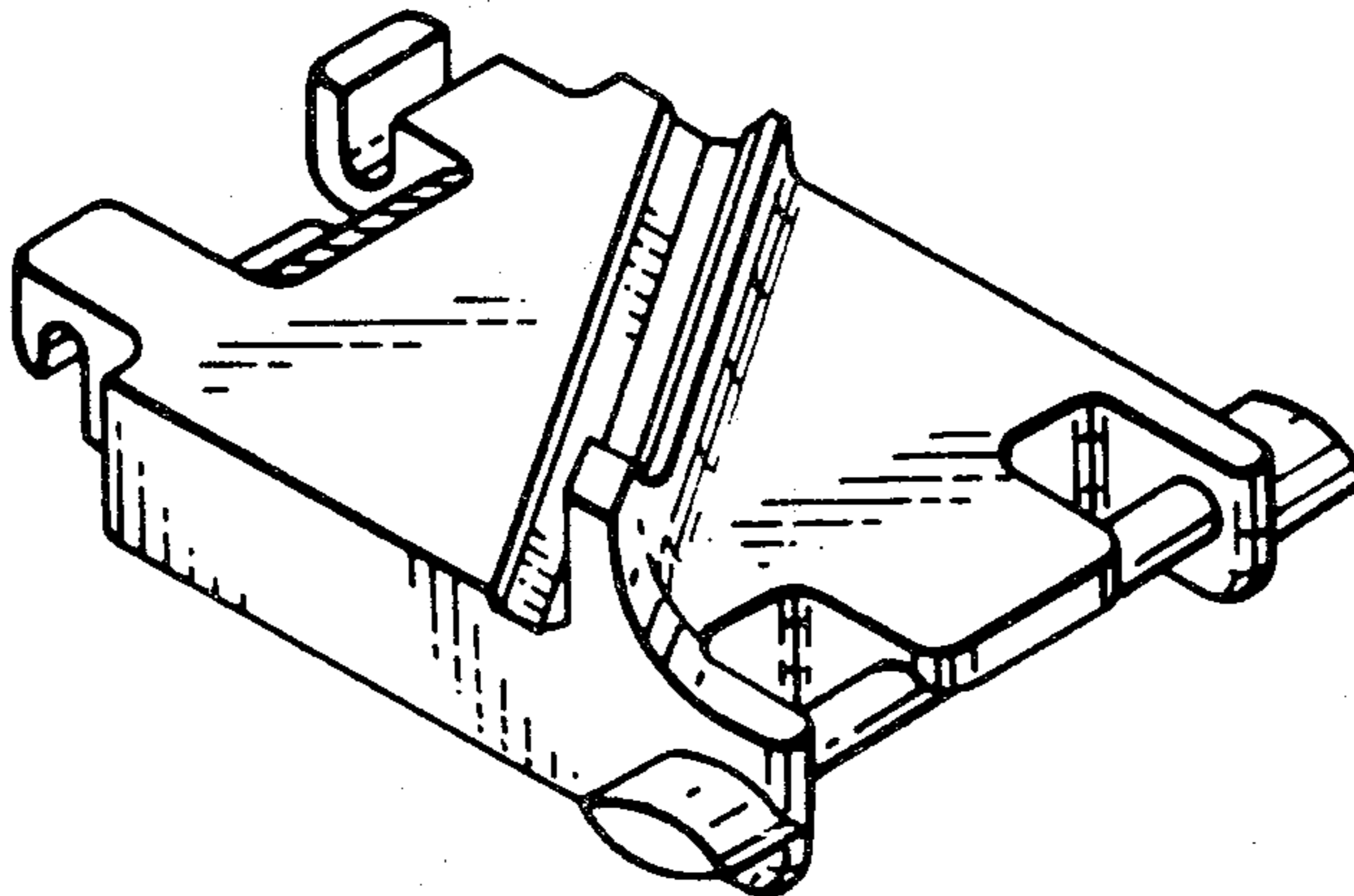
Primary Examiner—Wallace R. Burke
Assistant Examiner—Brian N. Vinson
Attorney, Agent, or Firm—Wolf, Greenfield & Sacks

[57] **CLAIM**

The ornamental design for a chain link for conveyors, as shown and described.

DESCRIPTION

FIG. 1 is a perspective view of a chain link for conveyors, showing our new design;
FIG. 2 is a side elevation thereof;
FIG. 3 is a front elevation thereof;
FIG. 4 is a top plan view thereof;
FIG. 5 is a bottom plan view thereof;
FIG. 6 is a cross-section thereof, taken along line VI—VI of FIG. 4.



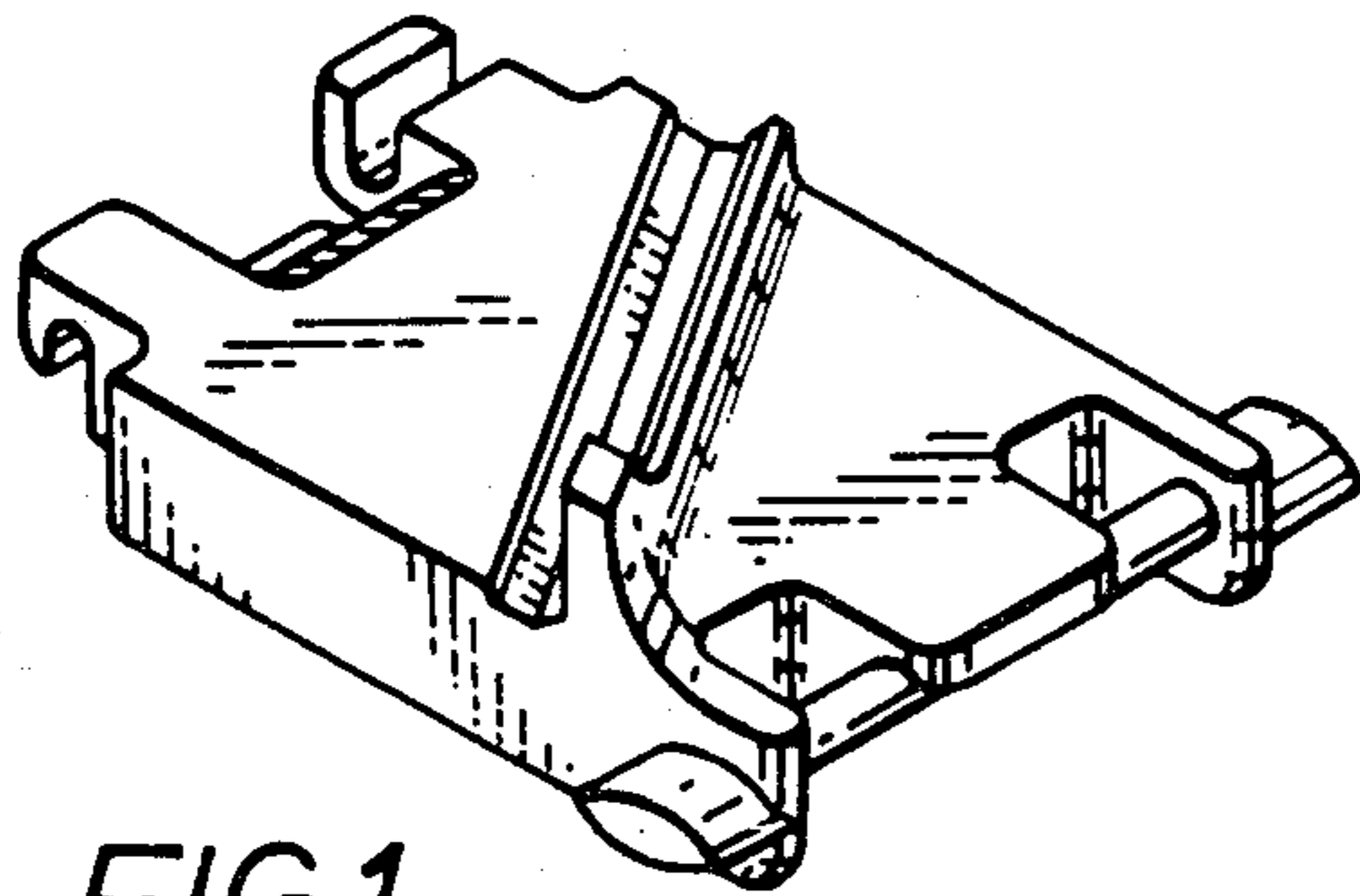


FIG. 1.

FIG. 2.

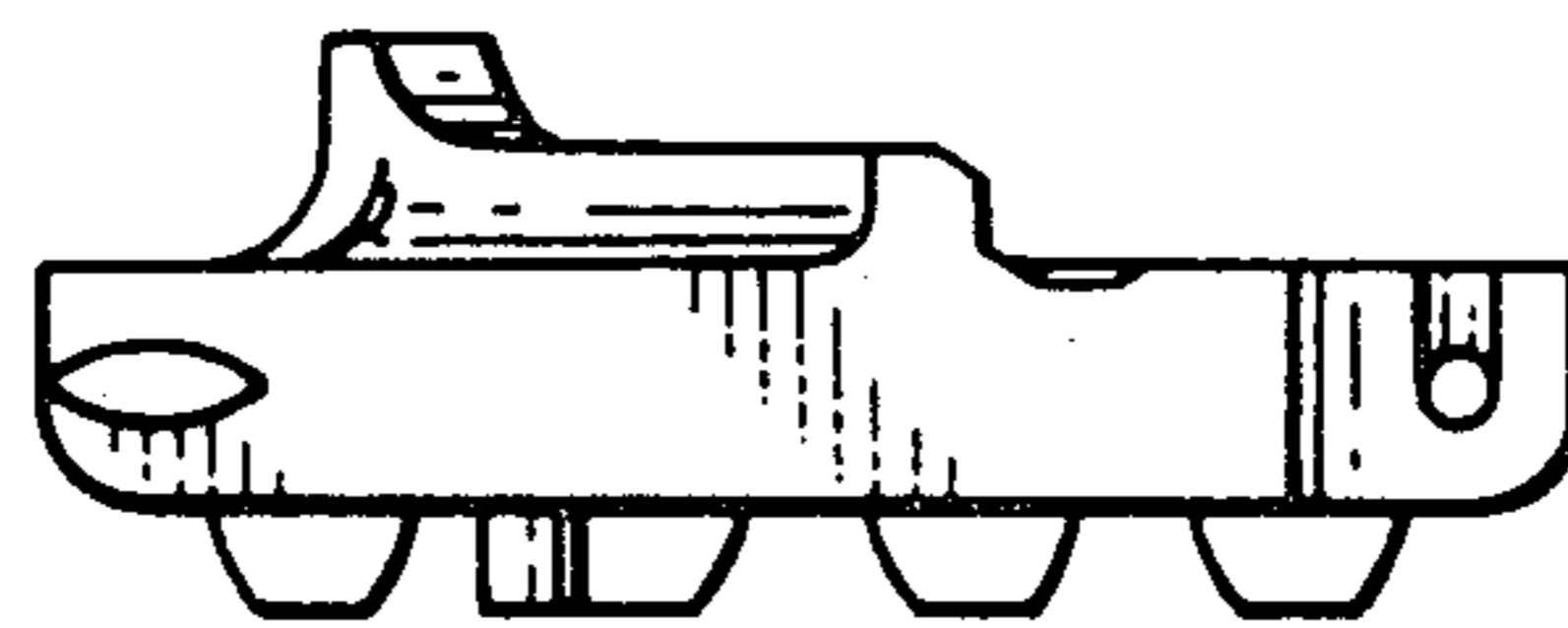


FIG. 3.

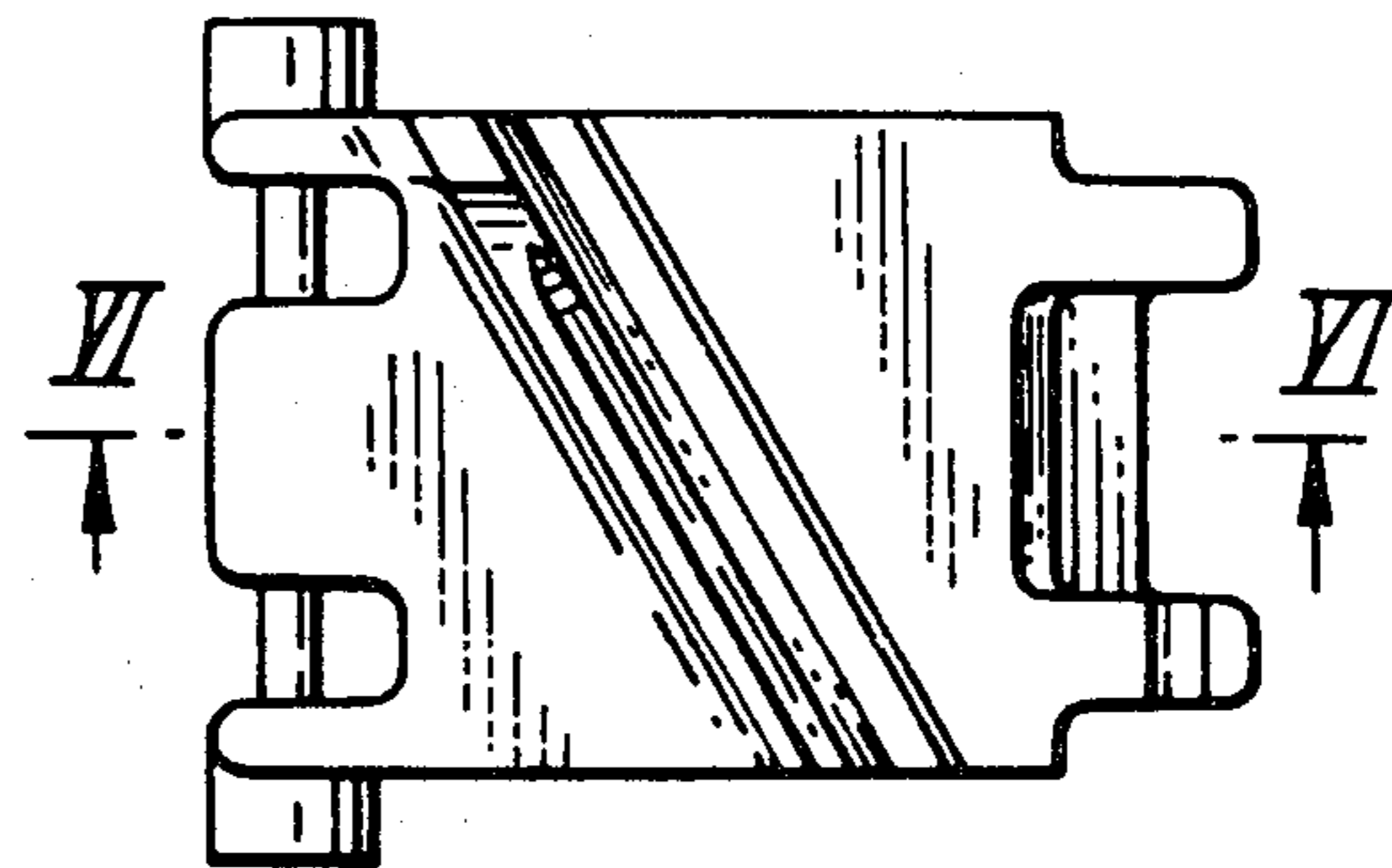
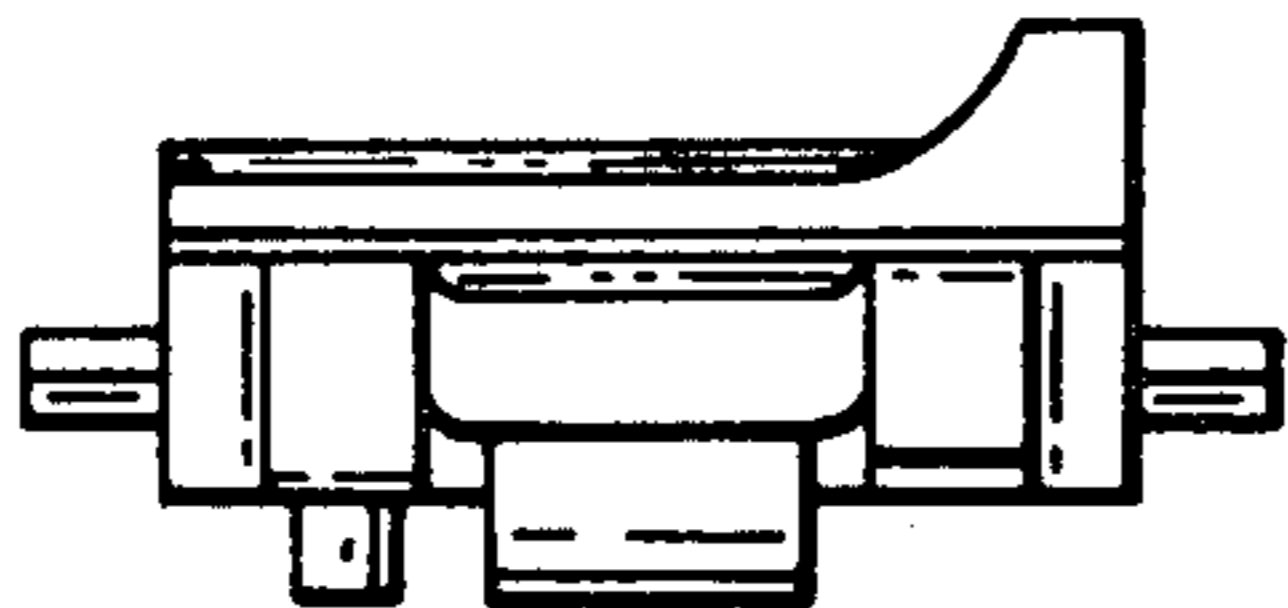


FIG. 4.

FIG. 6.

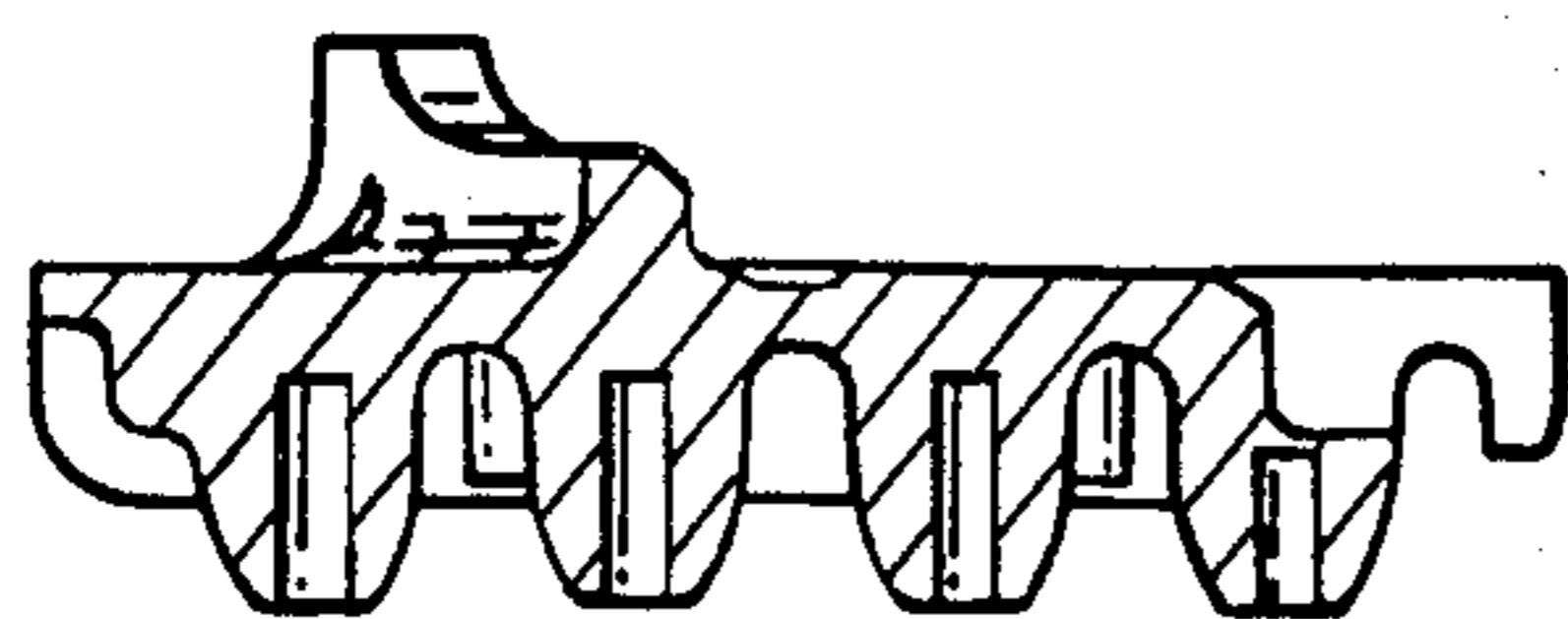


FIG. 5.

