

[54] **KNOB**

[75] **Inventor: Philip L. Poissant, Toronto, Canada**

[73] **Assignee: Everingham Brothers Limited,  
Brampton, Canada**

[\*\*] **Term: 14 Years**

[21] **Appl. No.: 567,822**

[22] **Filed: Jan. 3, 1984**

[30] **Foreign Application Priority Data**

Dec. 7, 1983 [CA] Canada ..... 71283

[52] **U.S. Cl. .... D8/311**

[58] **Field of Search ..... D8/300, 307, 310-312;  
16/110 R, 111 R, 114 R, 117, 118, 121**

[56] **References Cited**

**U.S. PATENT DOCUMENTS**

D. 208,918 10/1967 Dole et al. .... D8/311

D. 261,349 10/1981 Ryser ..... D8/310

**OTHER PUBLICATIONS**

The Radio Electronic Master; 1963; p. 828; GE Knob Replacements Knob L.

Home Appliance Builder; 3/1964; p. 27; Knob S-309. Dimco Plastic Knob Cat. 66; p. 10; Knob 267.

*Primary Examiner*—B. J. Bullock

*Attorney, Agent, or Firm*—Rogers, Bereskin & Parr

[57] **CLAIM**

The ornamental design for a knob, as shown.

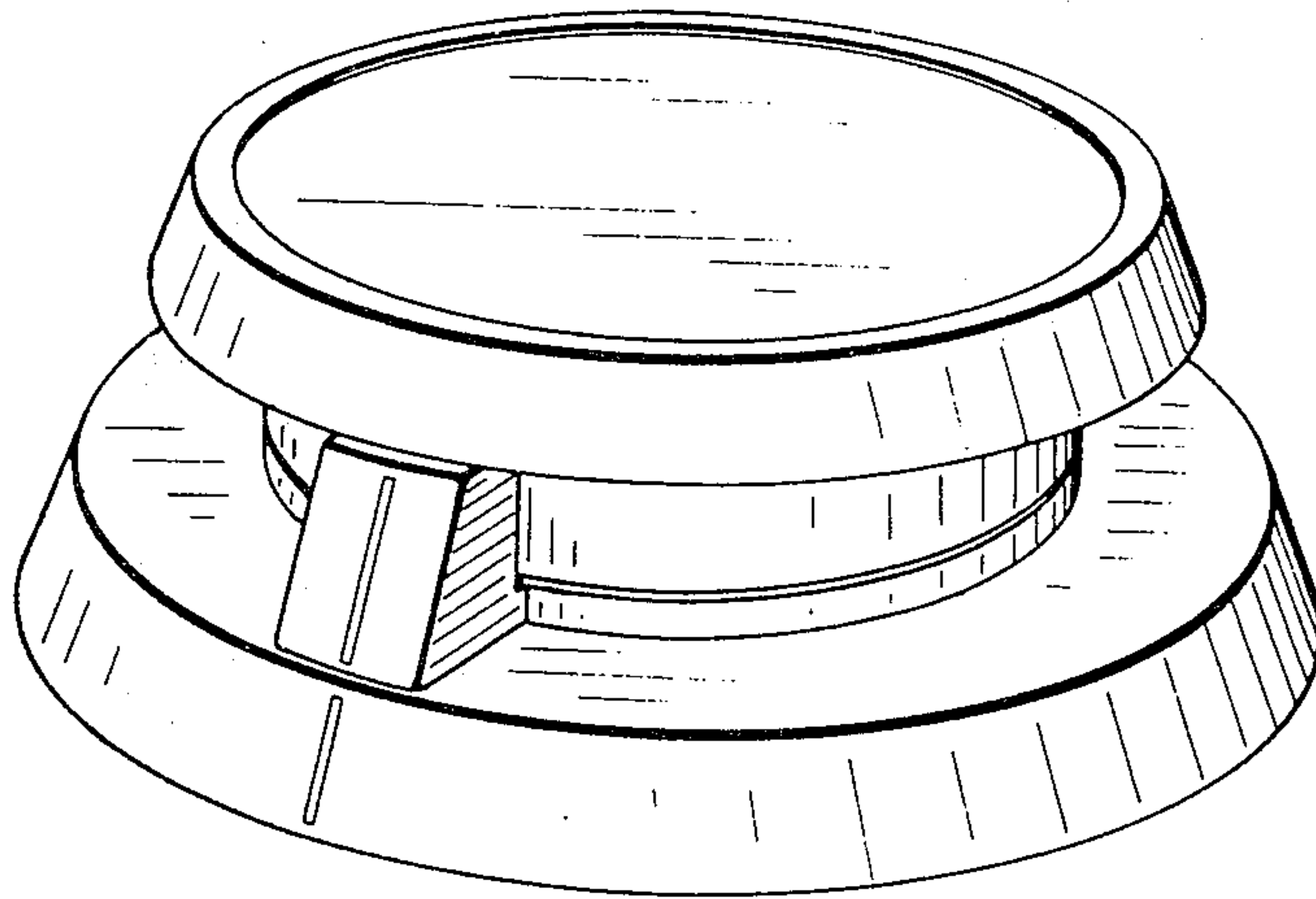
**DESCRIPTION**

FIG. 1 is a front perspective view from above of a knob showing my new design;

FIG. 2 is a perspective view from below thereof;

FIG. 3 is a side elevational view taken from the left of FIG. 1;

FIG. 4 is a rear elevational view thereof.



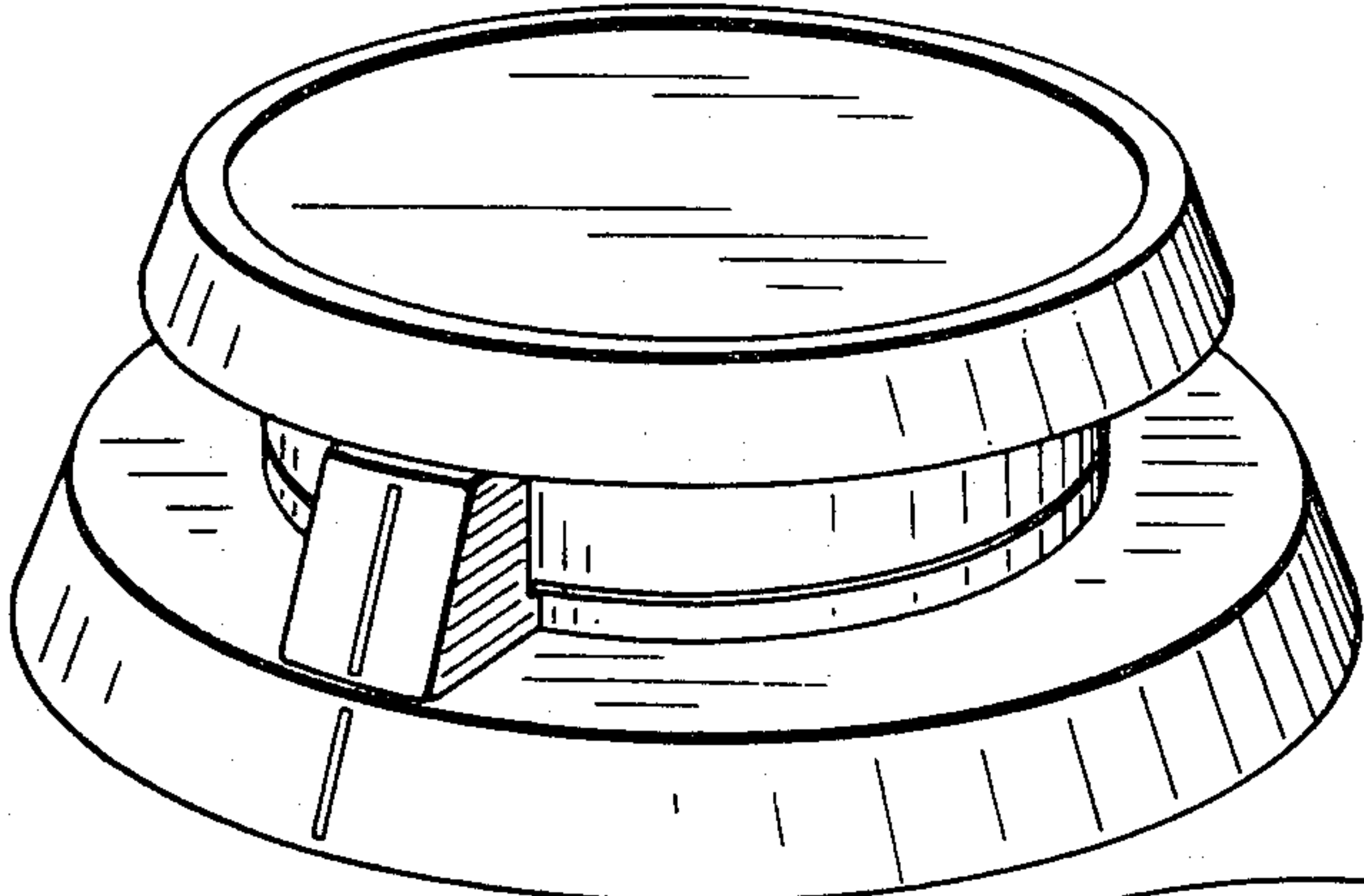


FIG. 1

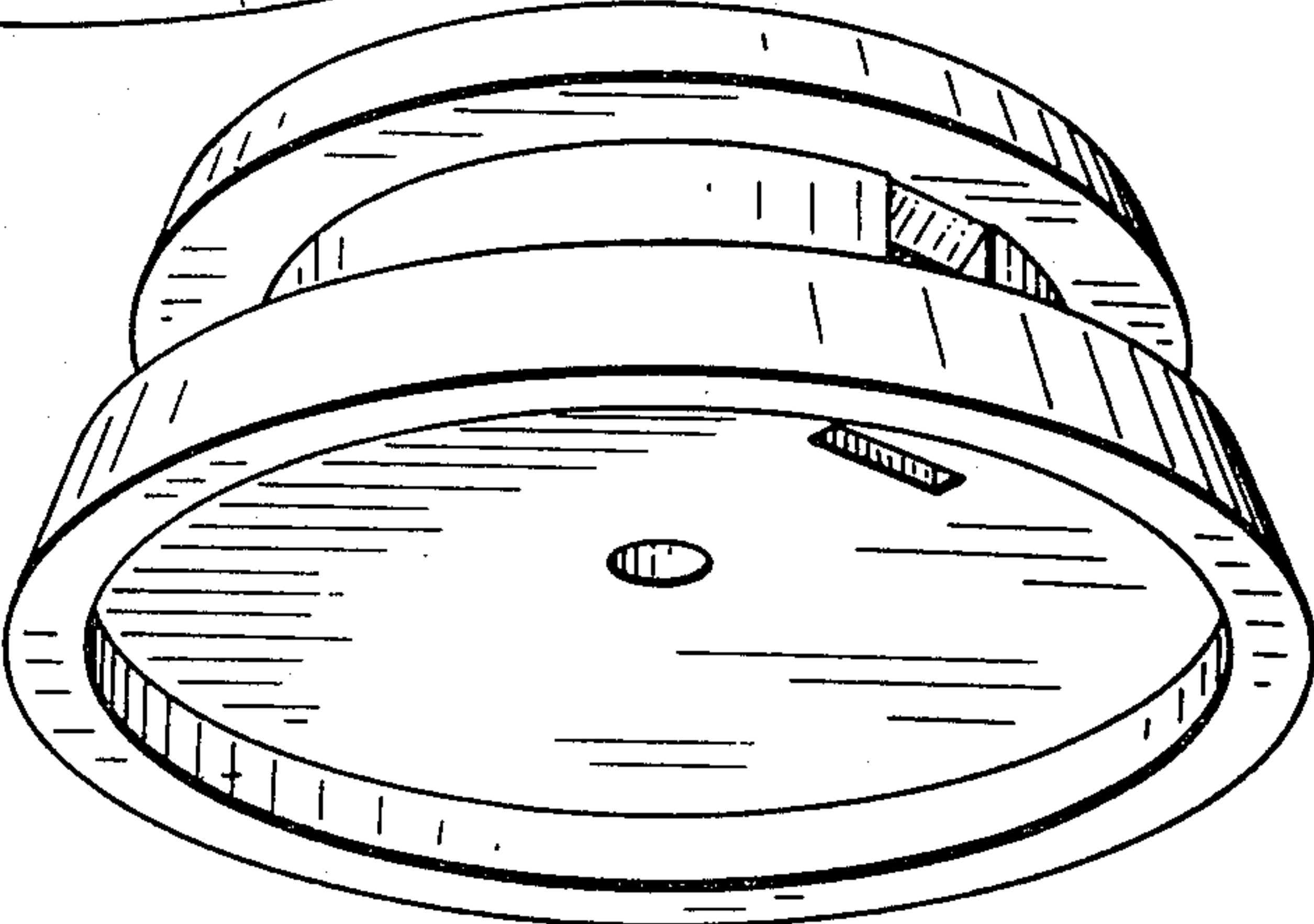


FIG. 2

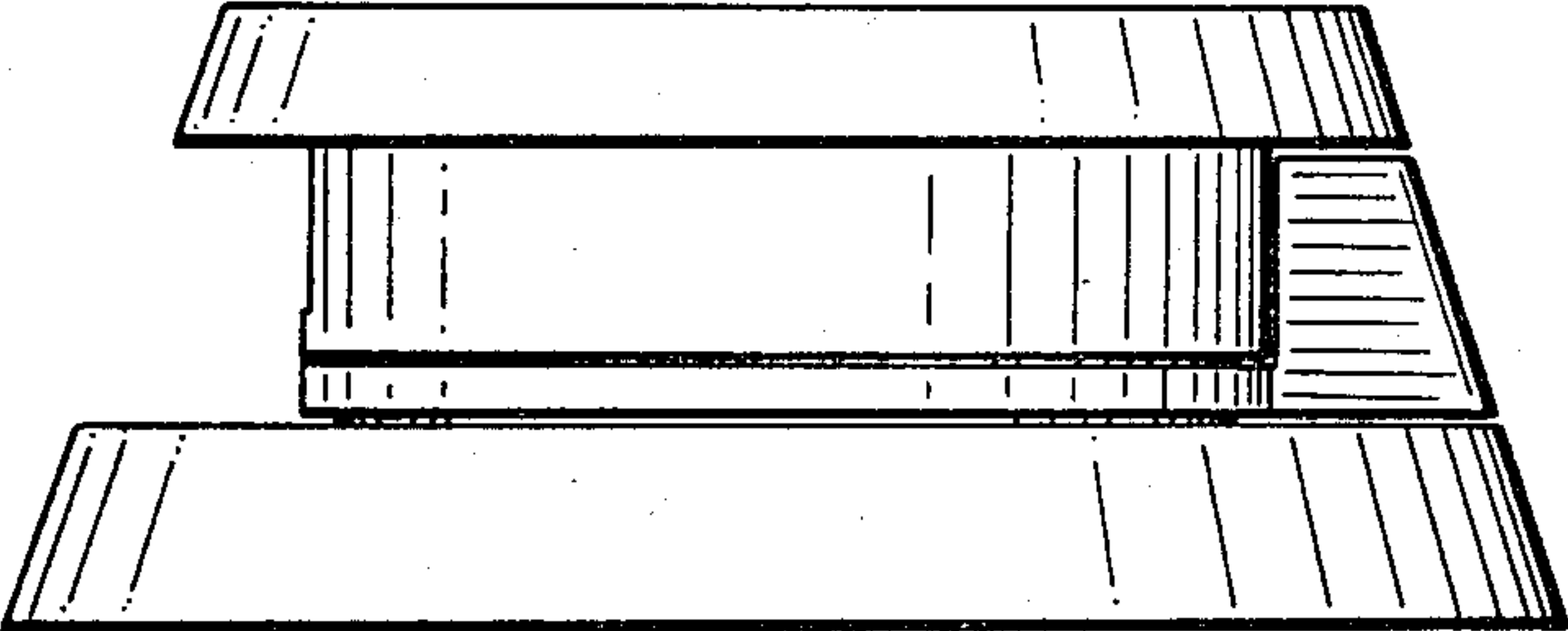


FIG. 3

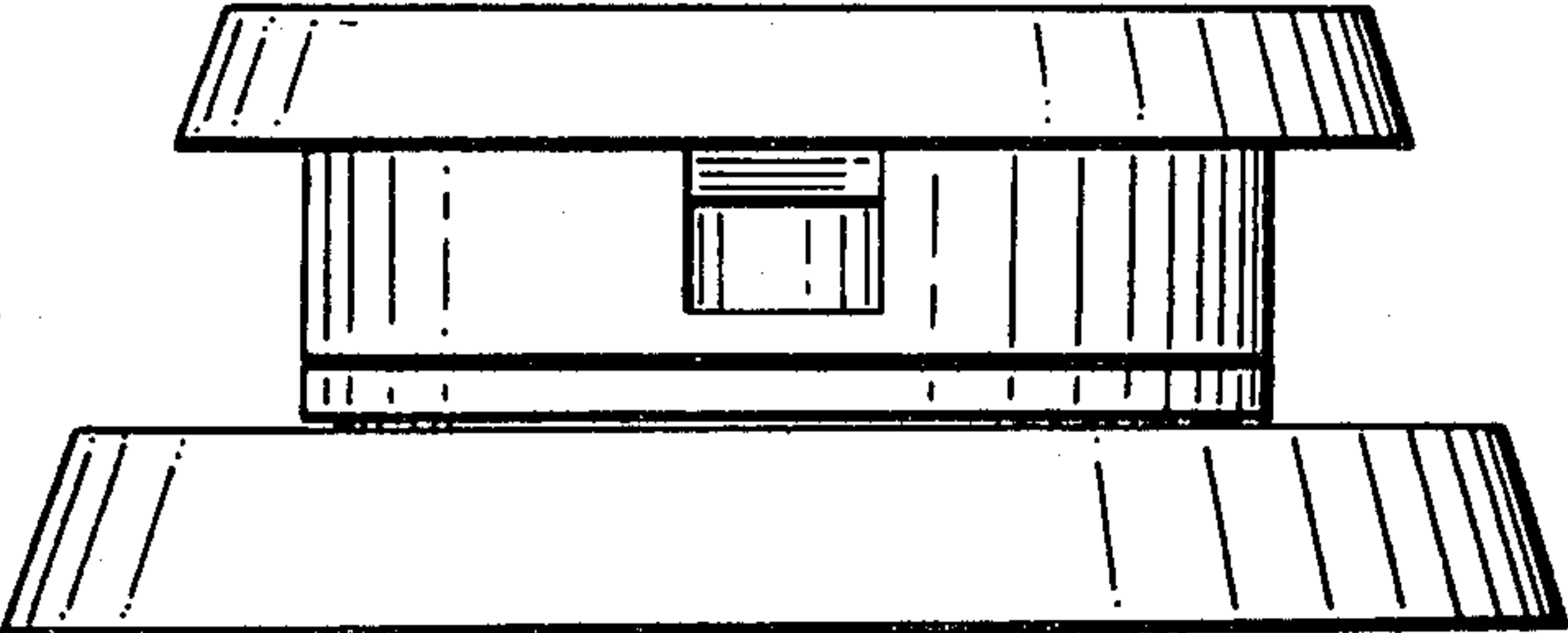


FIG. 4