

[54] PASTRY CUTTER WITH REMOVABLE CUTTING MOLDS

[76] Inventor: So Shun, 2nd Floor, Block B, Chuan Yuan Factory Bldg., 342-344 Kwun Tong Rd., Kwun Tong, Kowloon, Hong Kong

[*] Notice: The portion of the term of this patent subsequent to May 27, 2000 has been disclaimed.

[**] Term: 14 Years

[21] Appl. No.: 440,012

[22] Filed: Nov. 8, 1982

[30] Foreign Application Priority Data

Jul. 1, 1982 [GB] United Kingdom 1 007 510

[52] U.S. Cl. D7/43

[58] Field of Search D7/43, 106, 99; 30/306, 30/316

[56] References Cited

U.S. PATENT DOCUMENTS

- 1,727,747 9/1929 Carney 30/306
- 1,727,748 9/1929 Carney D7/43 X
- 2,119,260 5/1938 Valle 30/316 X
- 4,156,968 6/1979 Gould et al. D7/106 X

FOREIGN PATENT DOCUMENTS

- 562951 5/1957 Italy 30/306
- 551935 11/1956 Italy 30/306
- 105157 10/1964 Norway 30/306
- 250648 7/1948 Switzerland 30/306

OTHER PUBLICATIONS

Good Housekeeping, Dec. 1980, p. 260, Roll-out

Cookie Wheel, "Dr. Oetker" Cookie Cutter Wheel, middle row.

House Beautiful, Jul, 1978, p. 98, Rosettes and Patty Shells shown-H.M. Specialties.

Primary Examiner—Winifred E. Herrmann
Attorney, Agent, or Firm—Wood, Herron & Evans

[57] CLAIM

The ornamental design for a pastry cutter with removable cutting molds, as shown and described.

DESCRIPTION

FIG. 1 is a top, front, left side perspective view of a pastry cutter with six removable cutting molds showing my new design;

FIG. 2 is a right side elevation view thereof;

FIG. 3 is a left side elevation view thereof;

FIG. 4 is a top view thereof showing a first one of the six molds;

FIG. 5 is a front end view thereof;

FIG. 6 is a top, front, left side perspective view similar to FIG. 1 but with one of the cutting molds removed from connected relation with the pastry cutter;

FIG. 7 is a view similar to FIG. 4 but illustrating a second one of the six molds;

FIG. 8 is a view similar to FIG. 4 but illustrating a third one of the six molds;

FIG. 9 is a view similar to FIG. 4 but illustrating a fourth one of the six molds;

FIG. 10 is a view similar to FIG. 4 but illustrating a fifth one of the six molds; and

FIG. 11 is a view similar to FIG. 4 but illustrating the sixth one of the six molds.

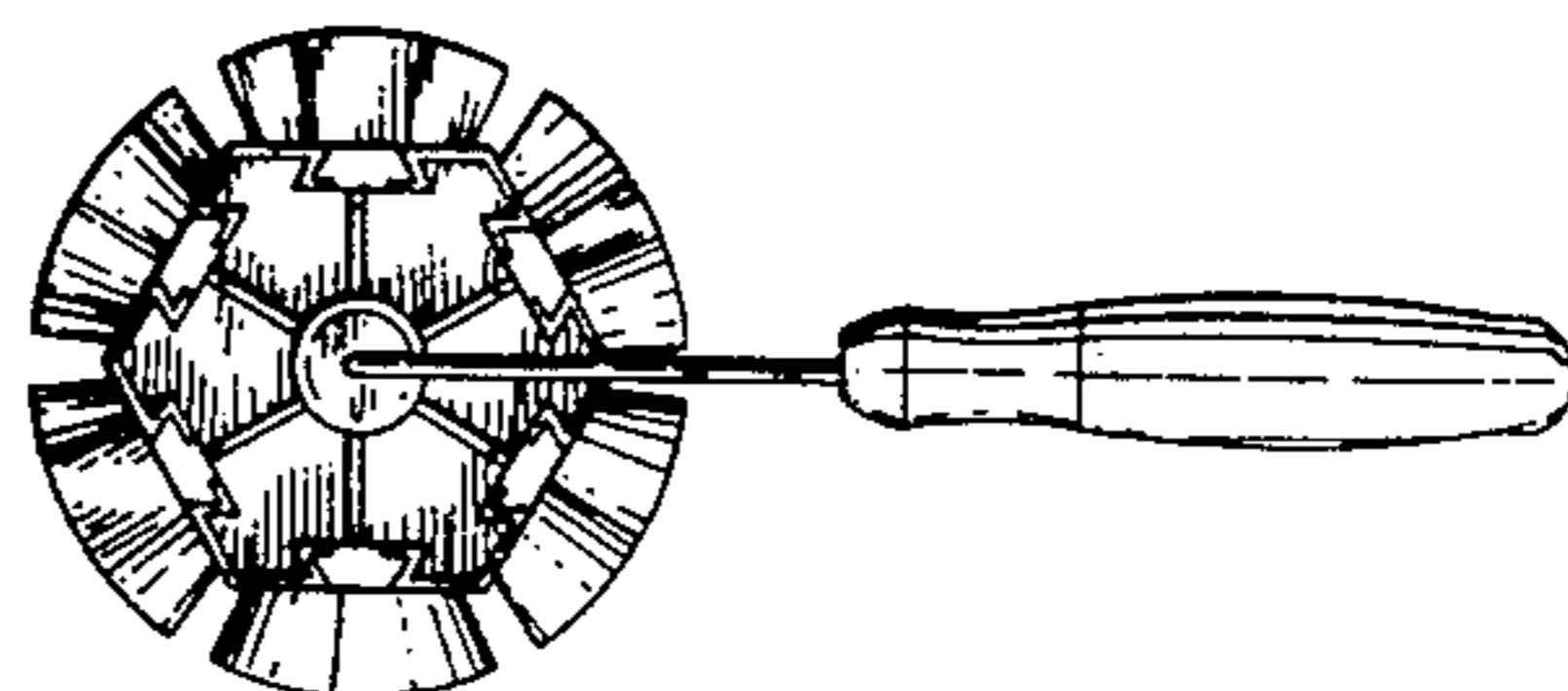
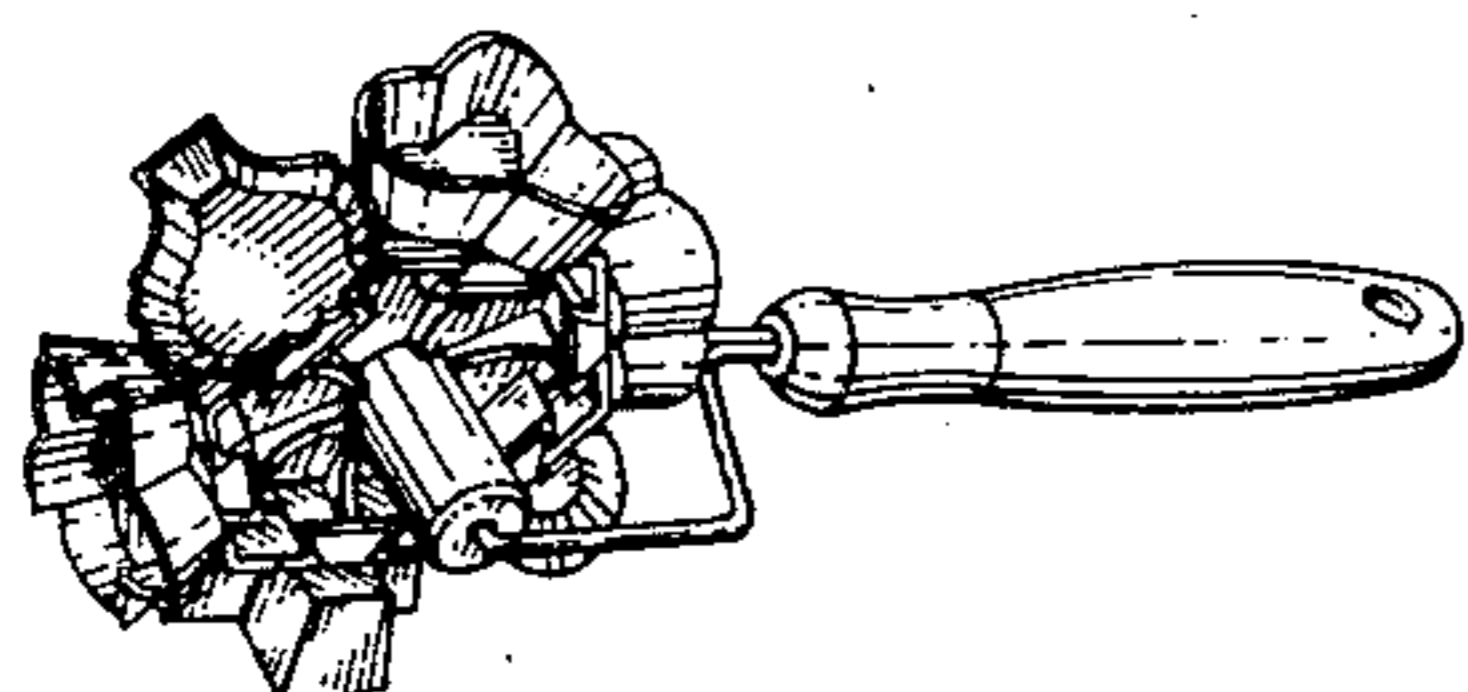
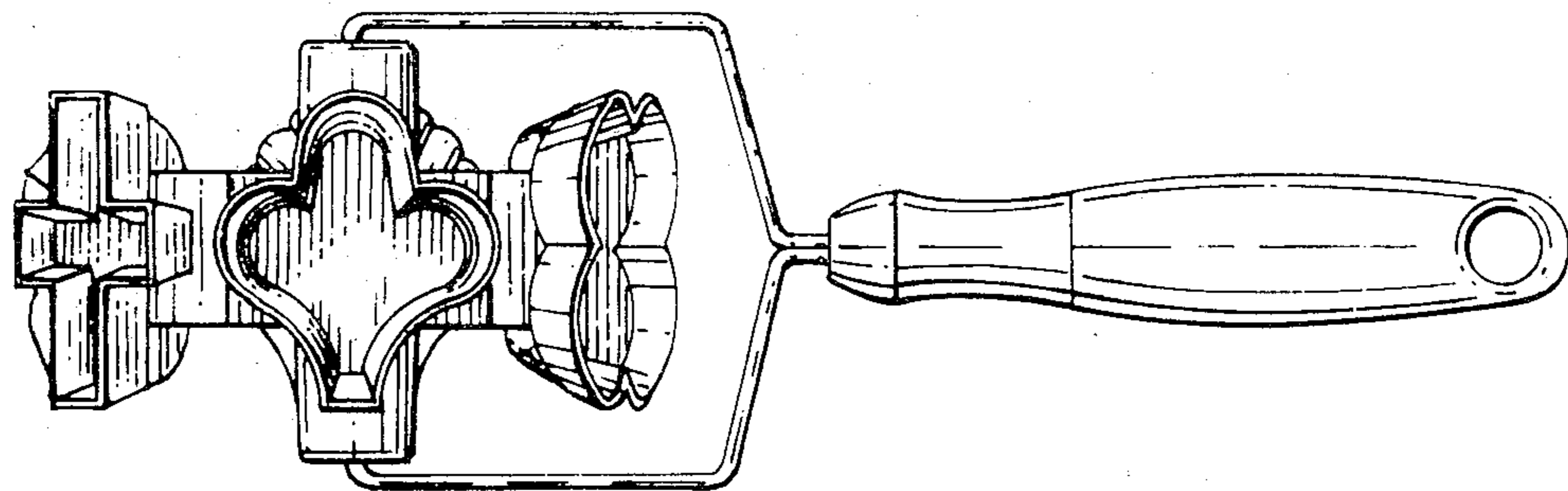


FIG. 1

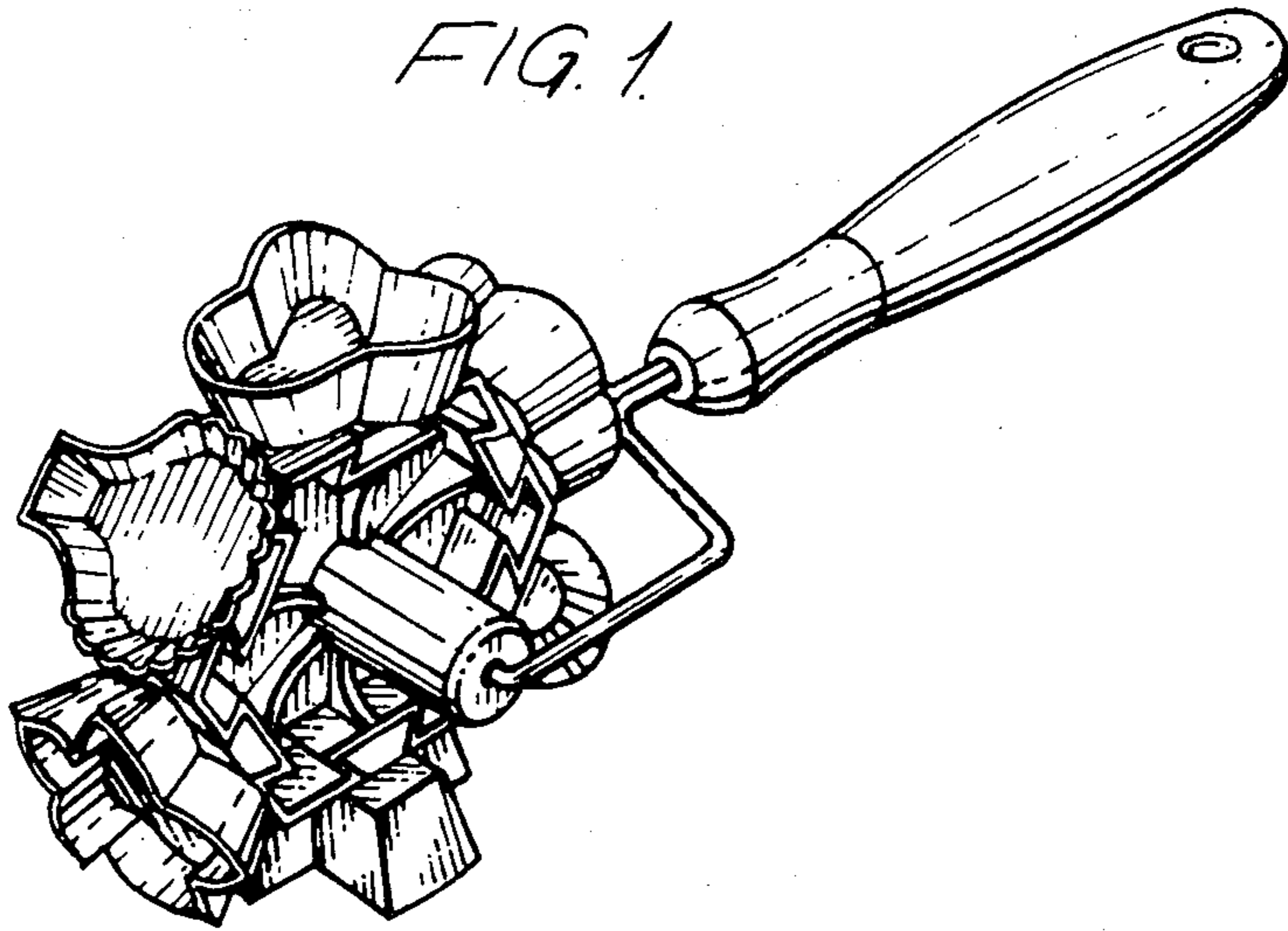
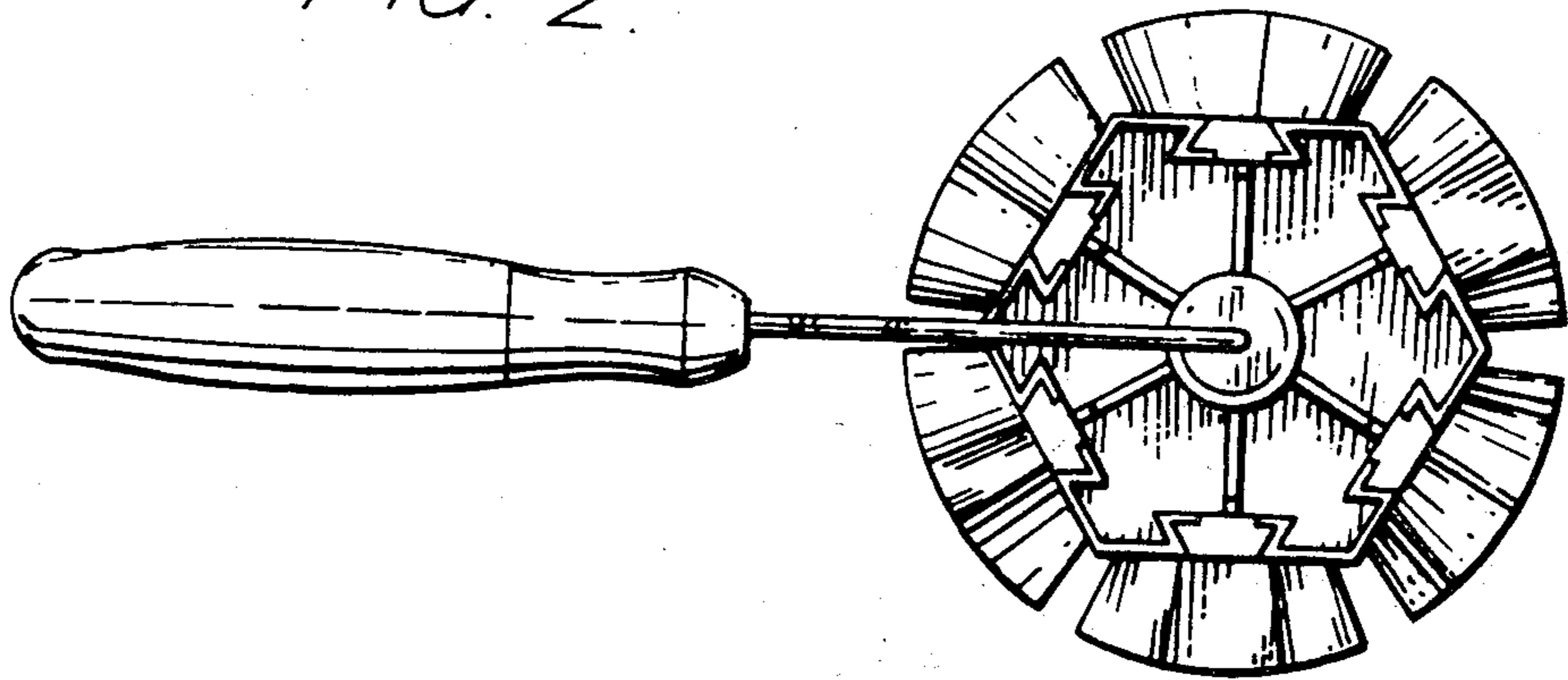


FIG. 2



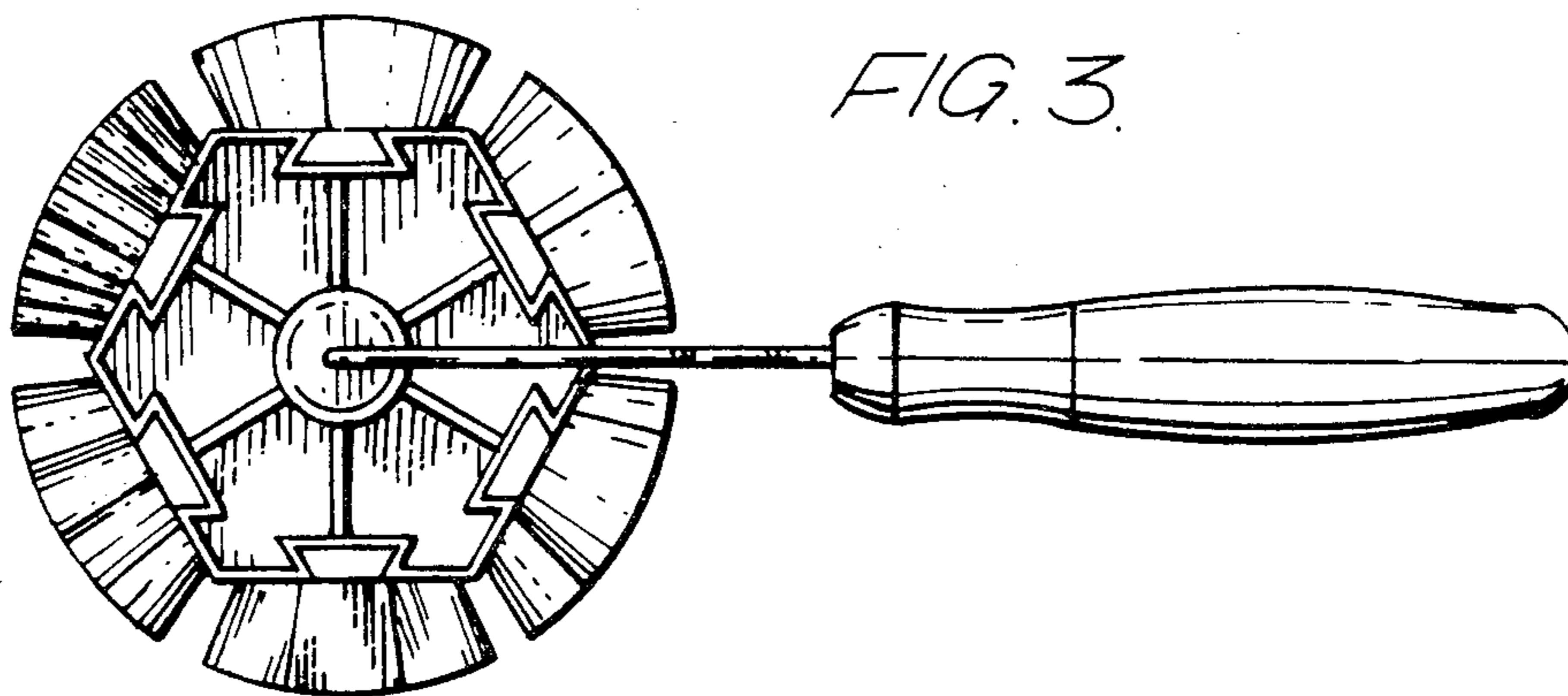


FIG. 3.

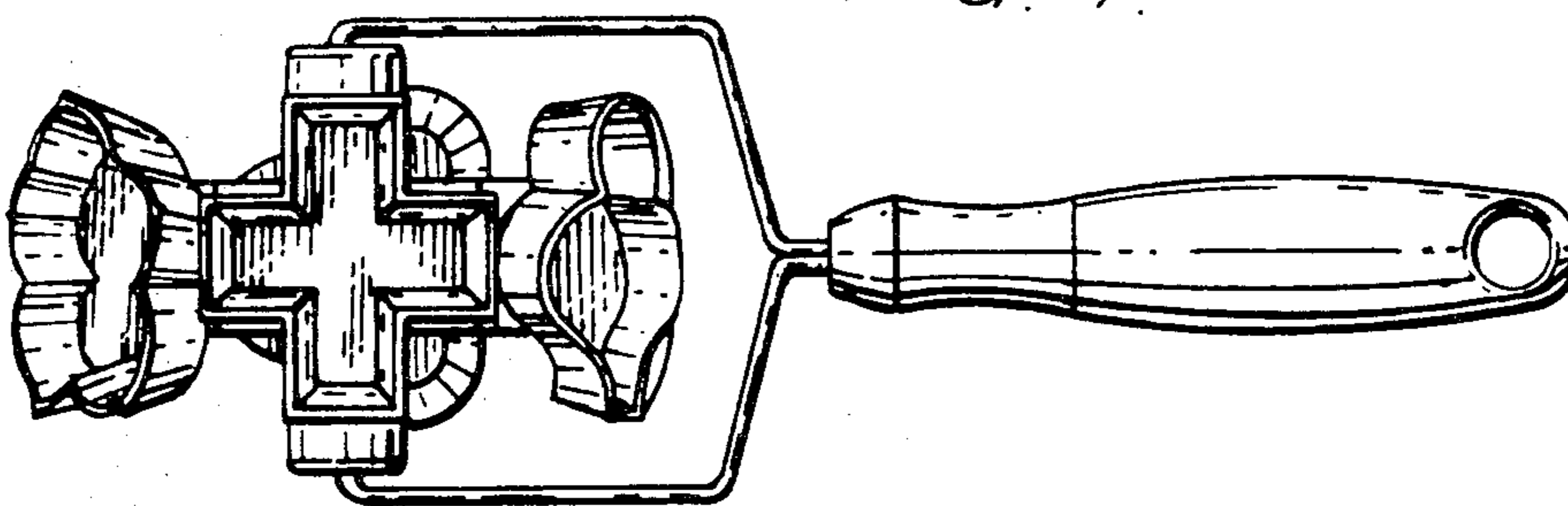
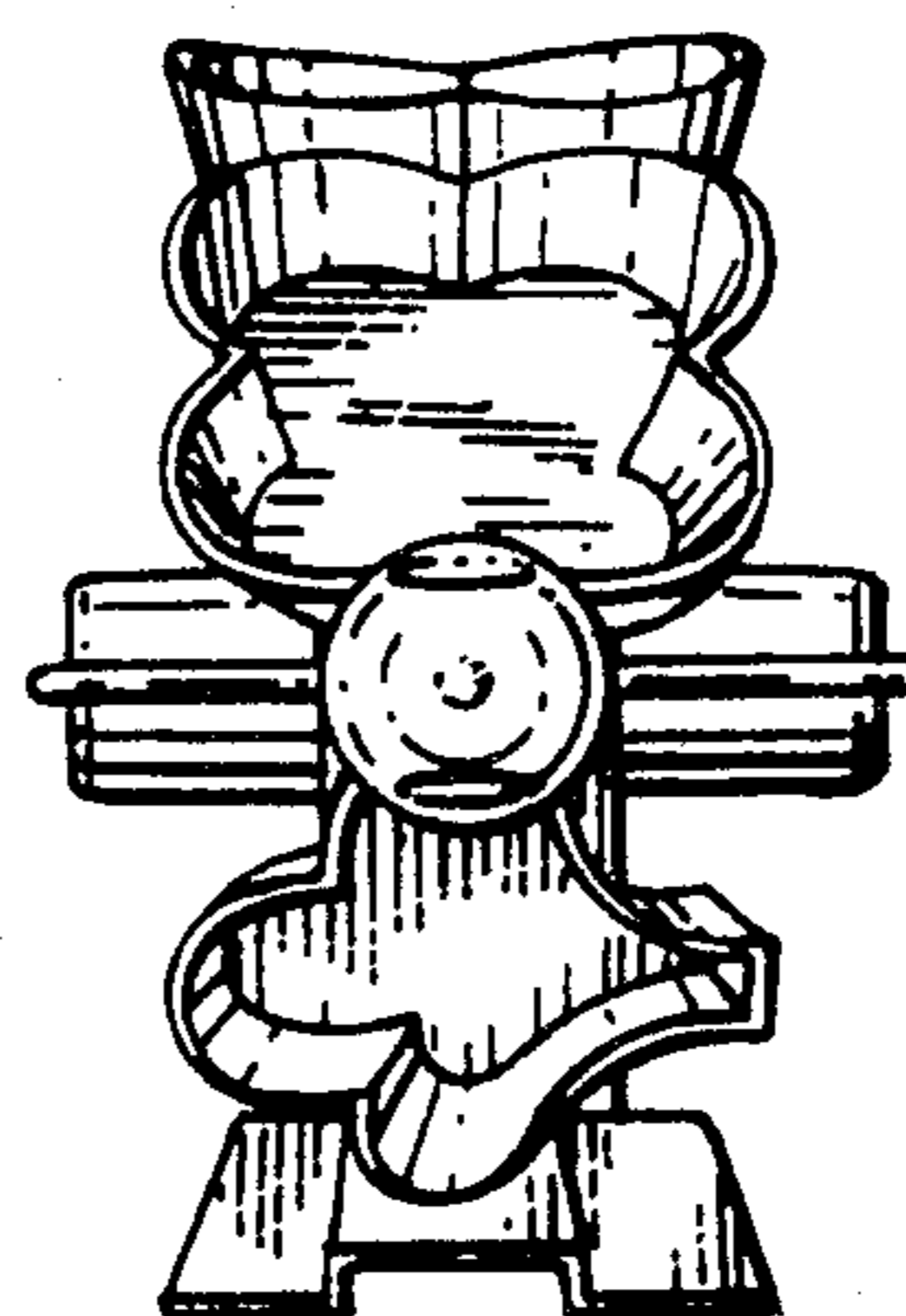


FIG. 4.

FIG. 5.



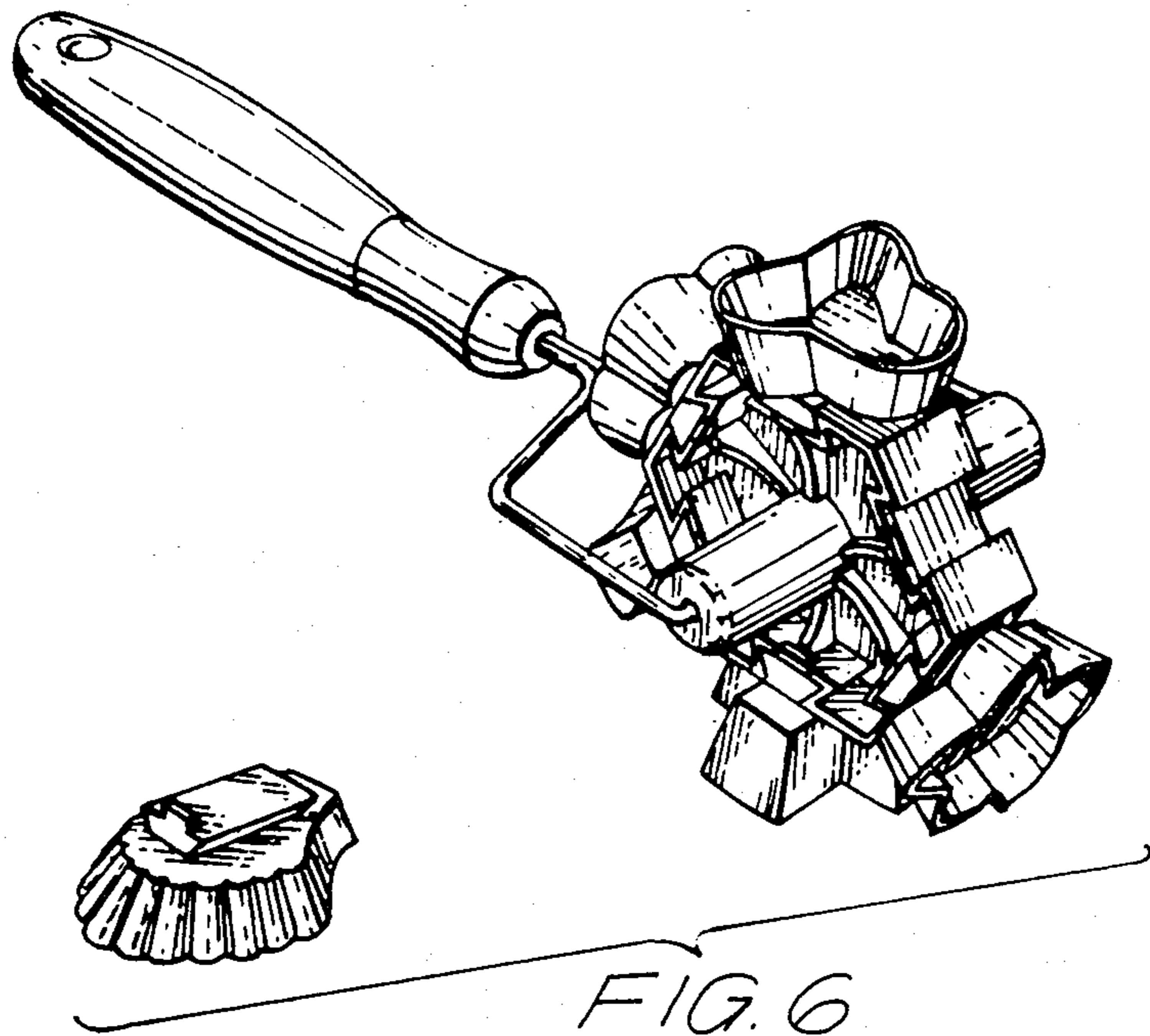


FIG. 7.

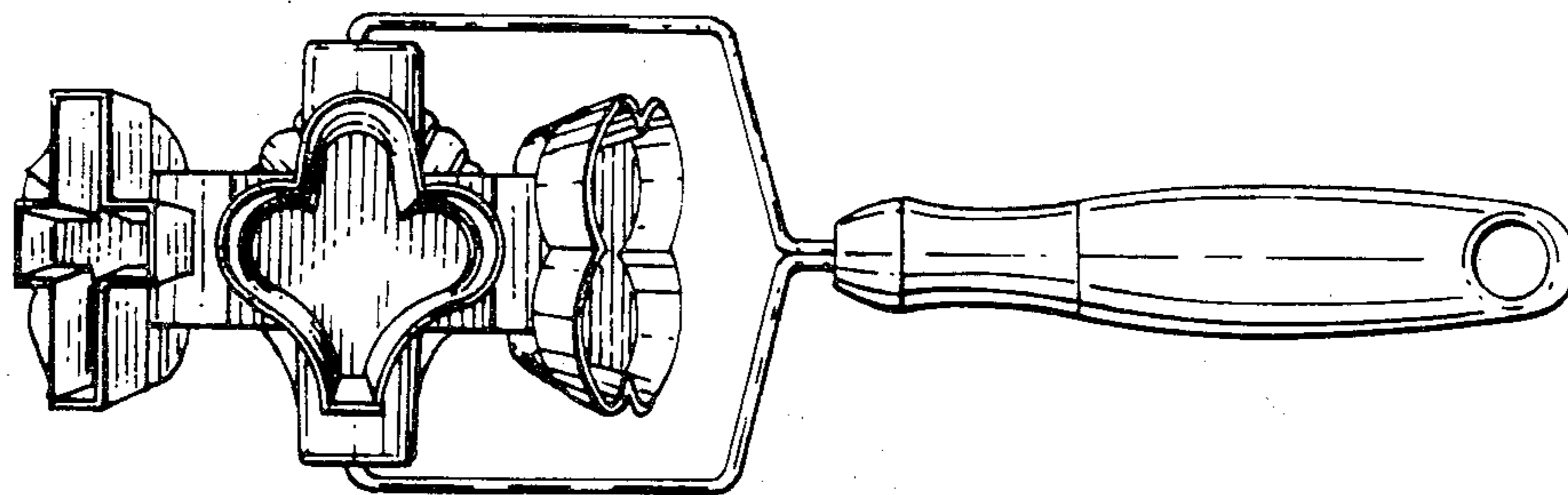


FIG. 8.

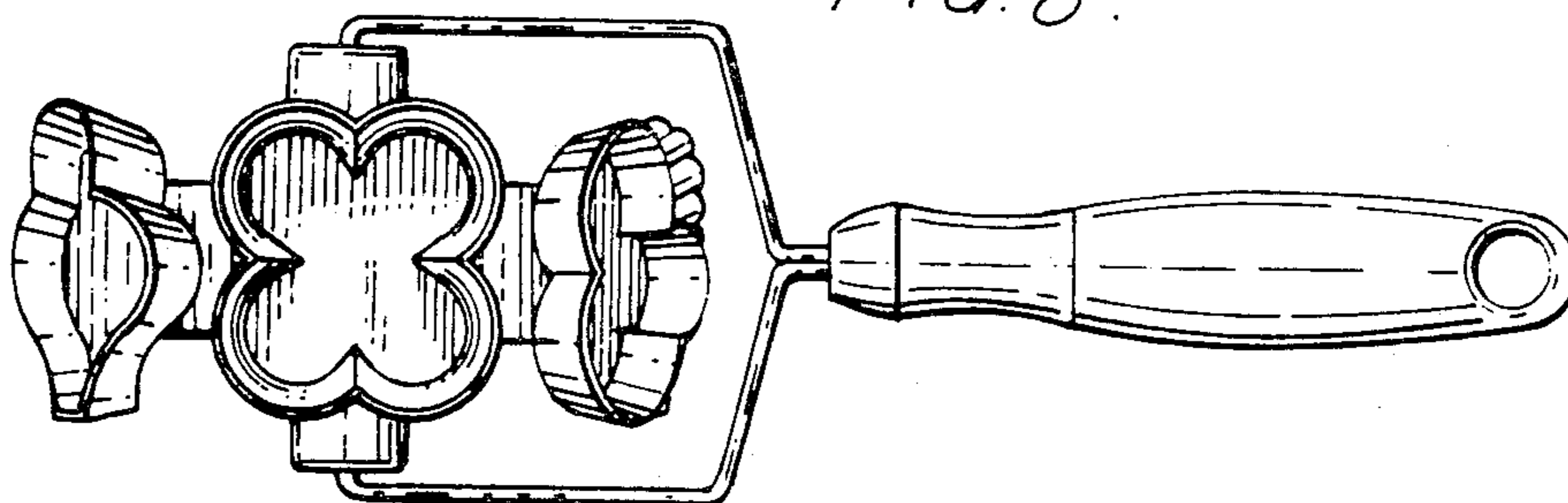


FIG. 9.

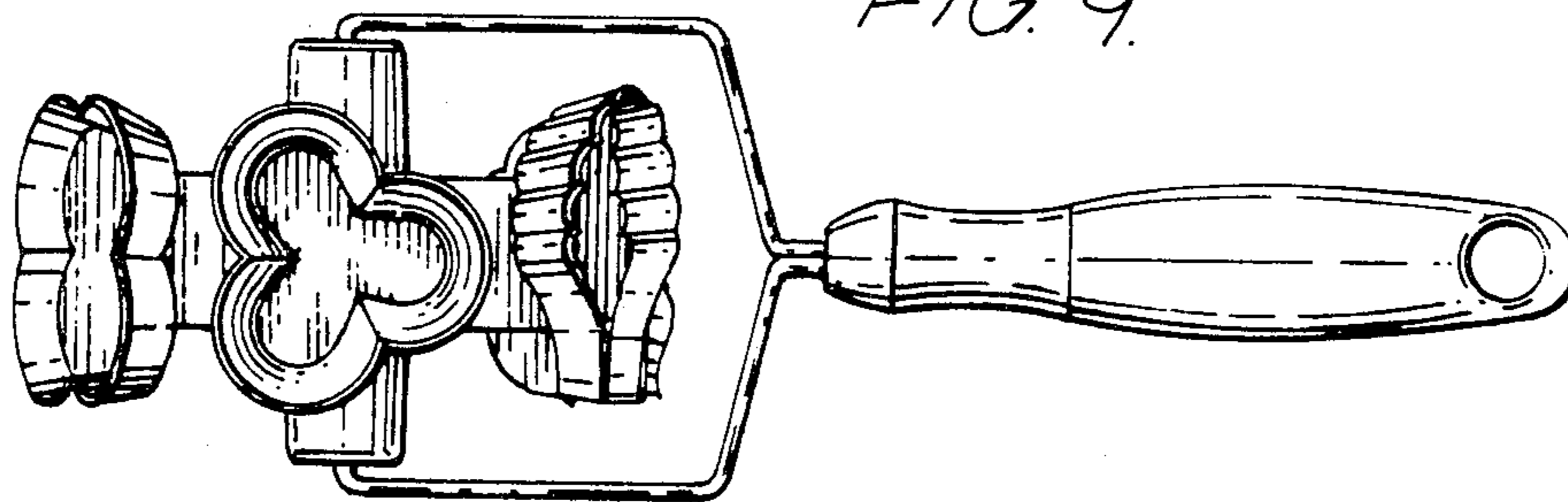


FIG. 10.

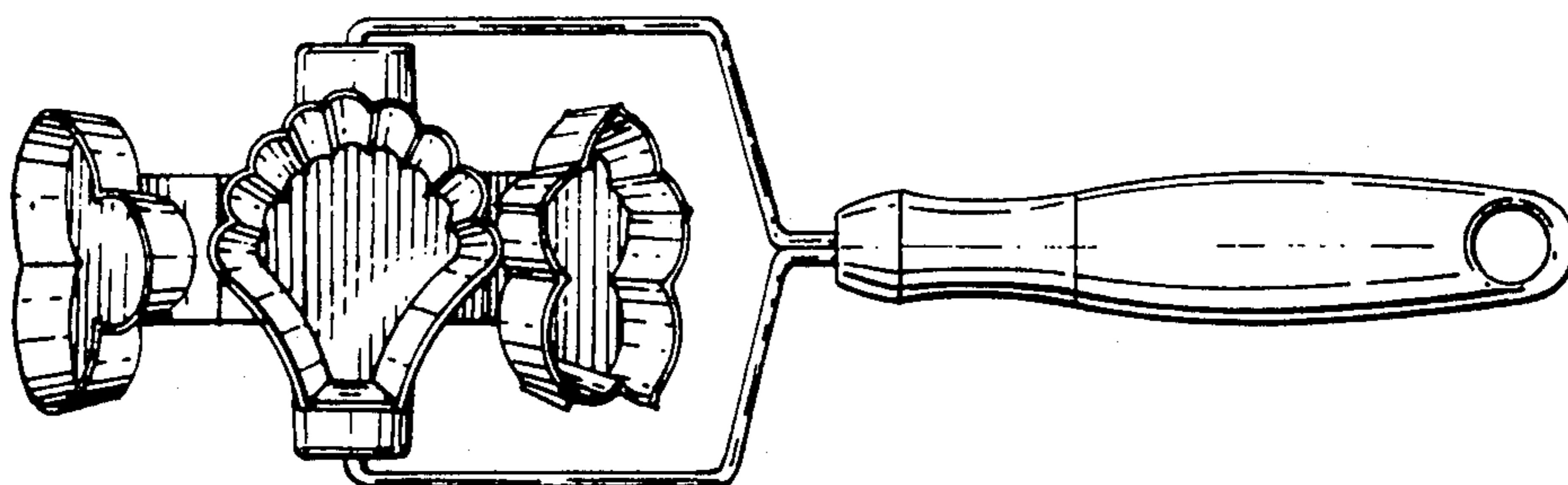


FIG. 11.

