

[54] GOBLET OR SIMILAR ARTICLE

[76] Inventor: Jean-Jacques Durand, LaButte, 62510 Arques, France

[**] Term: 14 Years

[21] Appl. No.: 547,726

[22] Filed: Nov. 1, 1983

[52] U.S. Cl. D7/13; D7/14

[58] Field of Search D7/6, 8, 11-15

[56] References Cited

U.S. PATENT DOCUMENTS

D. 10,887	10/1878	Franz	D7/13 X
D. 18,223	4/1888	Barr	D7/14 X
D. 41,237	3/1911	Ebeling	D7/13
D. 64,851	6/1924	Heisey	D7/13
D. 72,064	2/1927	Heisey	D7/14 X
D. 261,211	10/1981	Durand	D7/13

OTHER PUBLICATIONS

Tableware International, Aug. 1981, p. 11, "Casa" Bohemian Crystal-Glashütte Süßmuth, Ribbed Bowls.

Primary Examiner—Winifred E. Herrmann
Attorney, Agent, or Firm—Kimmel, Crowell & Weaver

[57] CLAIM

The ornamental design for a goblet or similar article, substantially as shown and described.

DESCRIPTION

FIG. 1 is a side elevational view of a goblet or similar article showing my new design in the size and proportions of a champagne flute; the sides not shown are similar to the side shown;

FIG. 2 is a sectional view thereof, taken along lines 2—2 of FIG. 3;

FIG. 3 is a top plan view thereof;

FIG. 4 is a bottom plan view thereof;

FIG. 5 is a sectional view thereof, looking in the direction of the arrows 5—5, as shown in FIG. 1;

FIG. 6 is a sectional view thereof, looking in the direction of the arrows 6—6, as shown in FIG. 1;

FIG. 7 is a sectional view thereof, looking in the direction of the arrows 7—7, as shown in FIG. 1;

FIG. 8 is a side elevational view of a goblet or similar article showing my new design in the size and proportions of a wine glass; the sides not shown are similar to the side shown;

FIG. 9 is a sectional view thereof, looking in the direction of the arrows 9—9, as shown in FIG. 10;

FIG. 10 is a top plan view thereof;

FIG. 11 is a bottom plan view thereof;

FIG. 12 is a sectional view thereof, looking in the direction of the arrows 12—12, as shown in FIG. 8;

FIG. 13 is a sectional view thereof, looking in the direction of the arrows 13—13, as shown in FIG. 8.

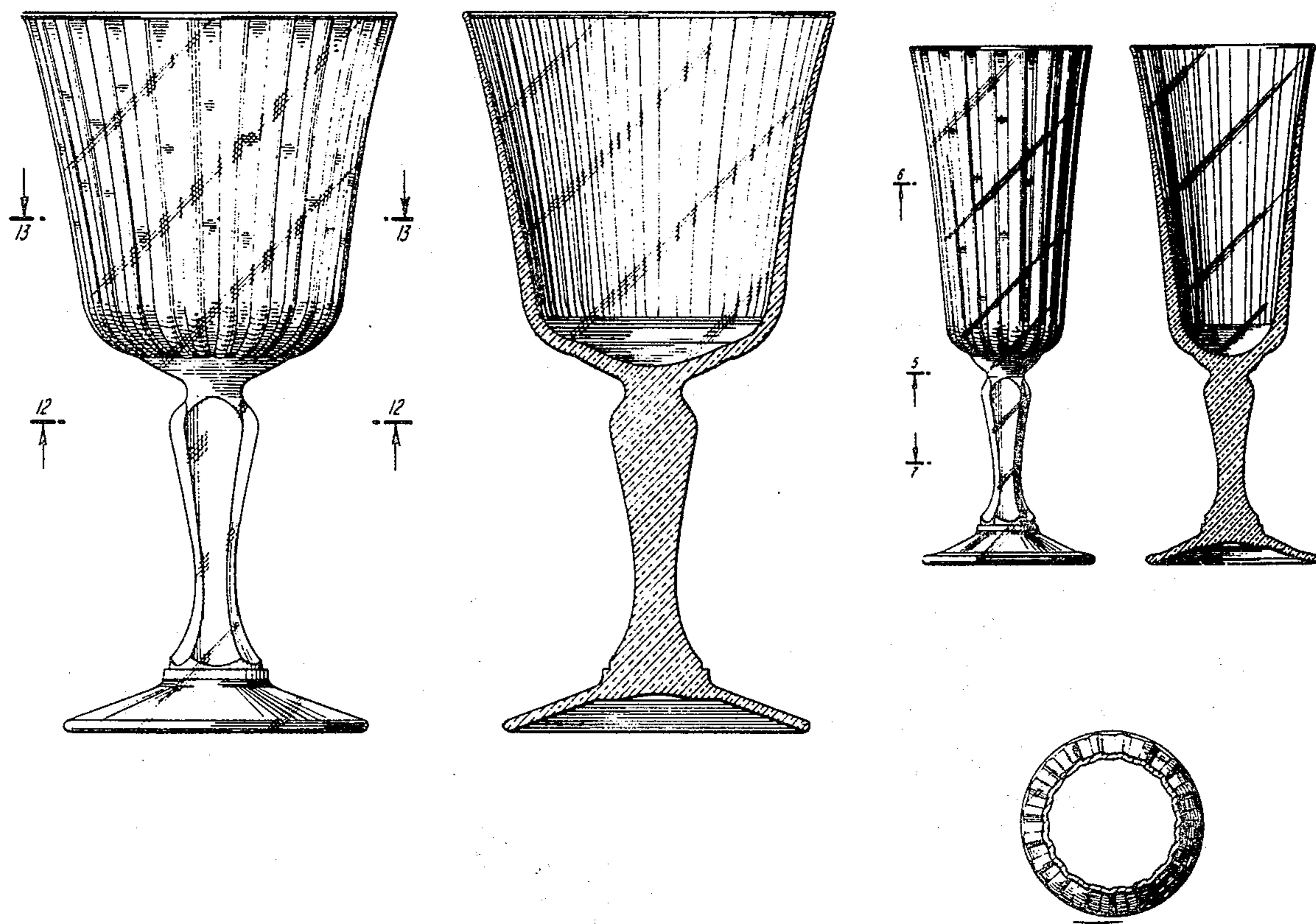


Fig. 1

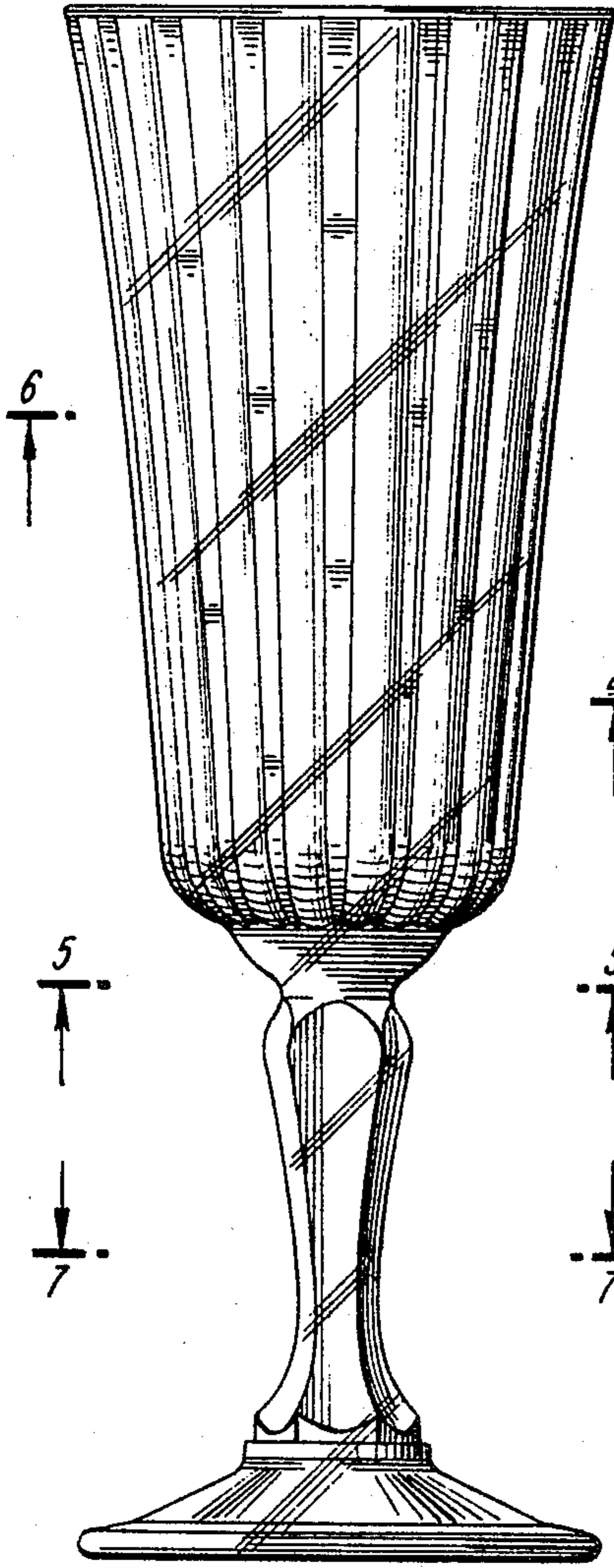


Fig. 2

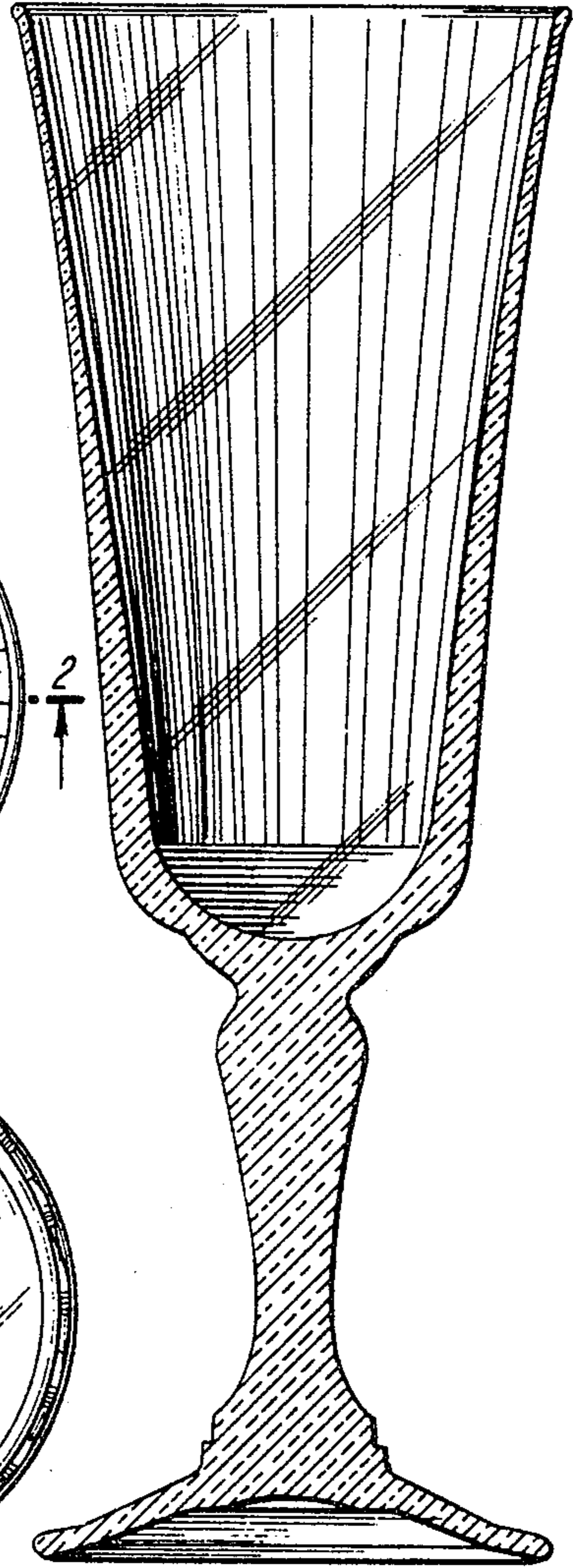


Fig. 3

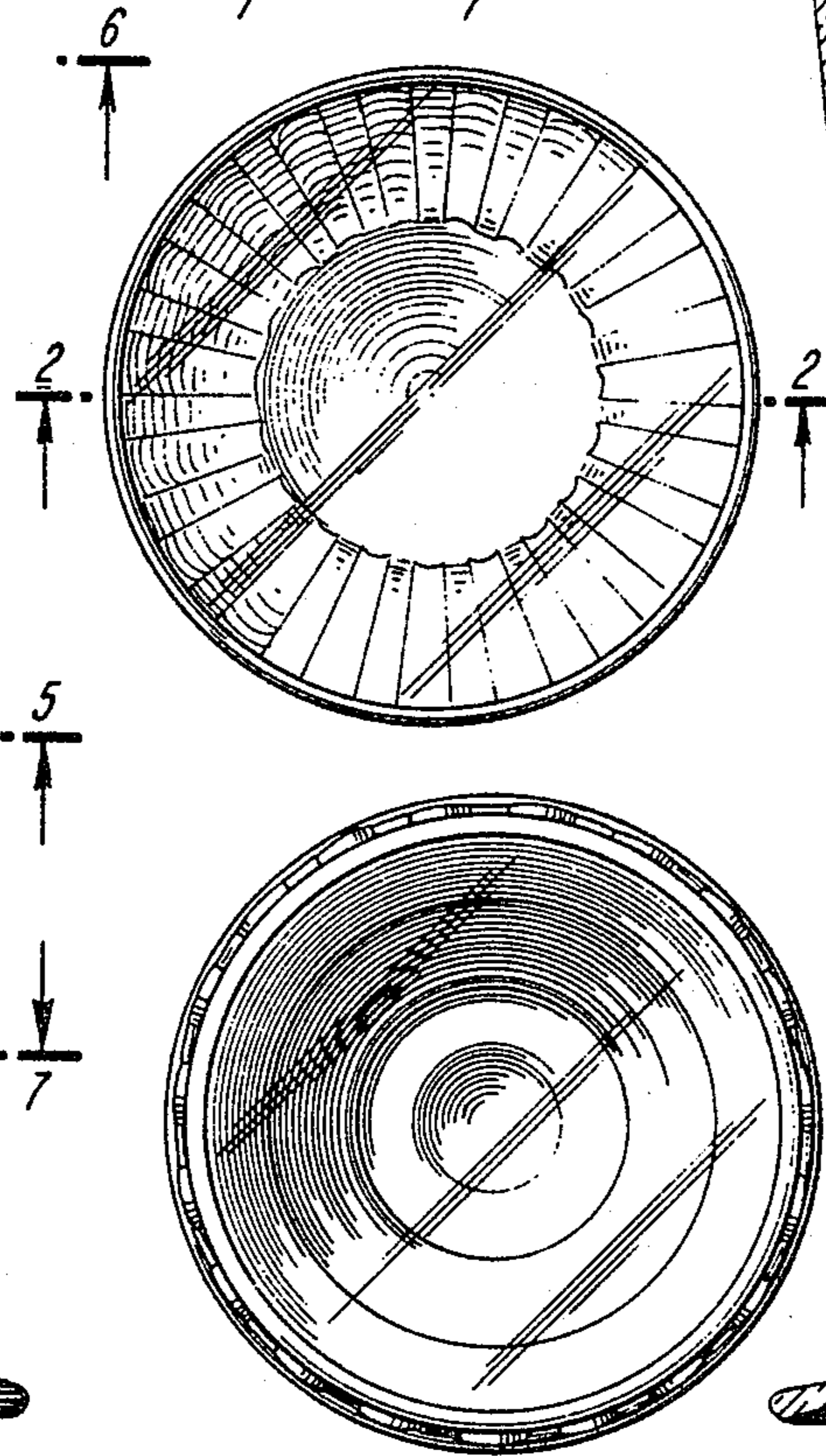


Fig. 4

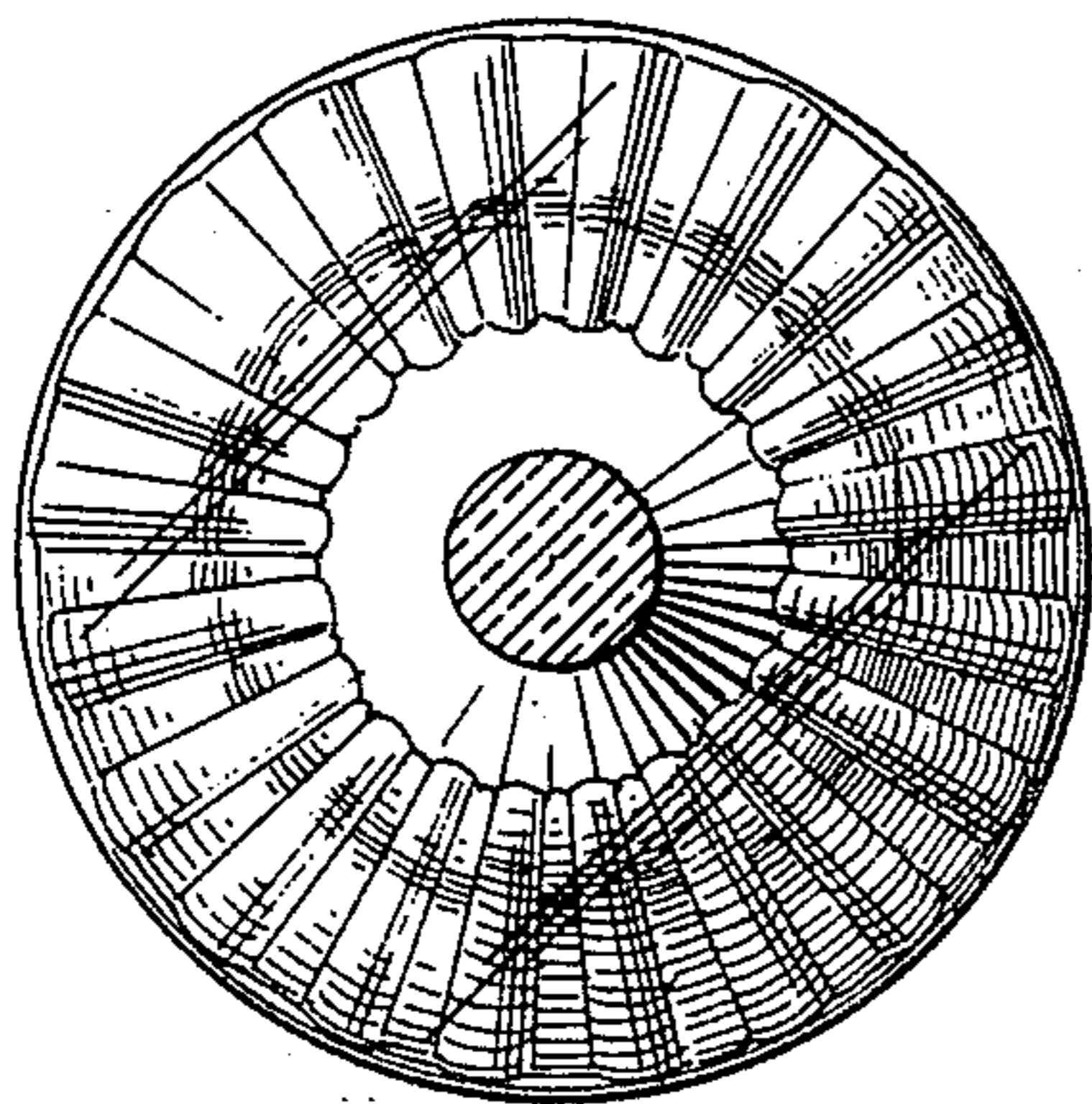


Fig. 5

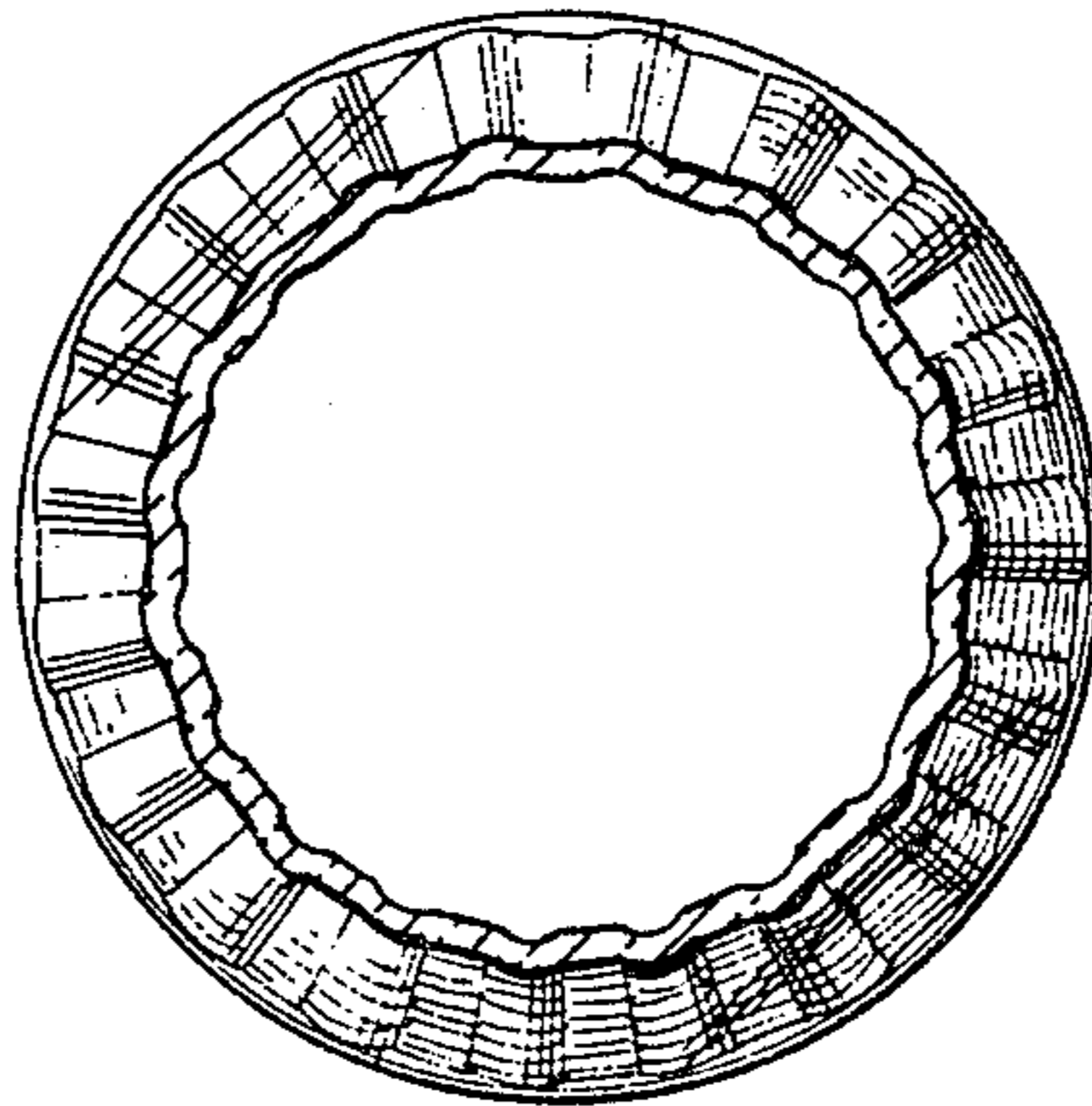


Fig. 6

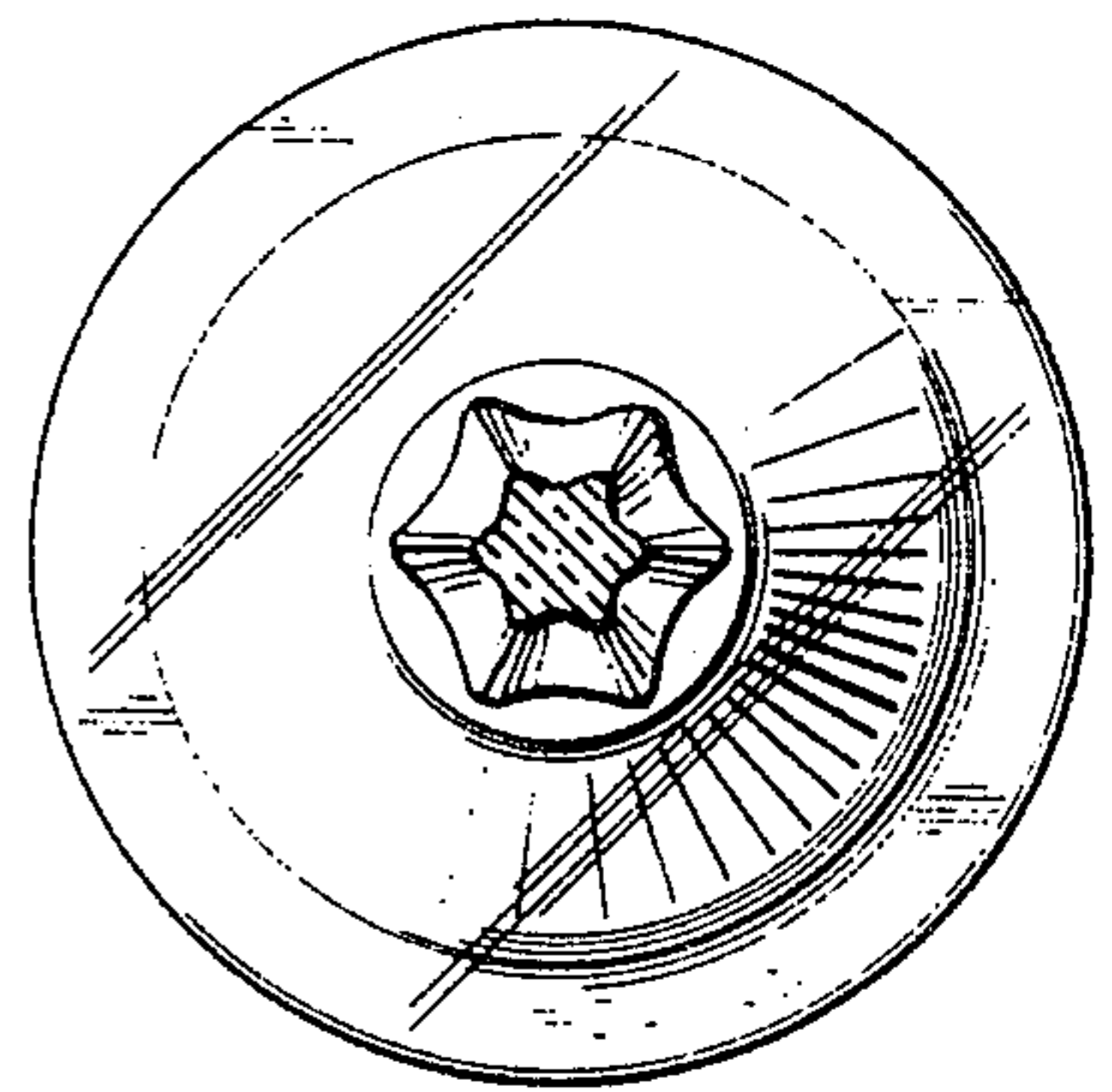


Fig. 7

FIG. 8

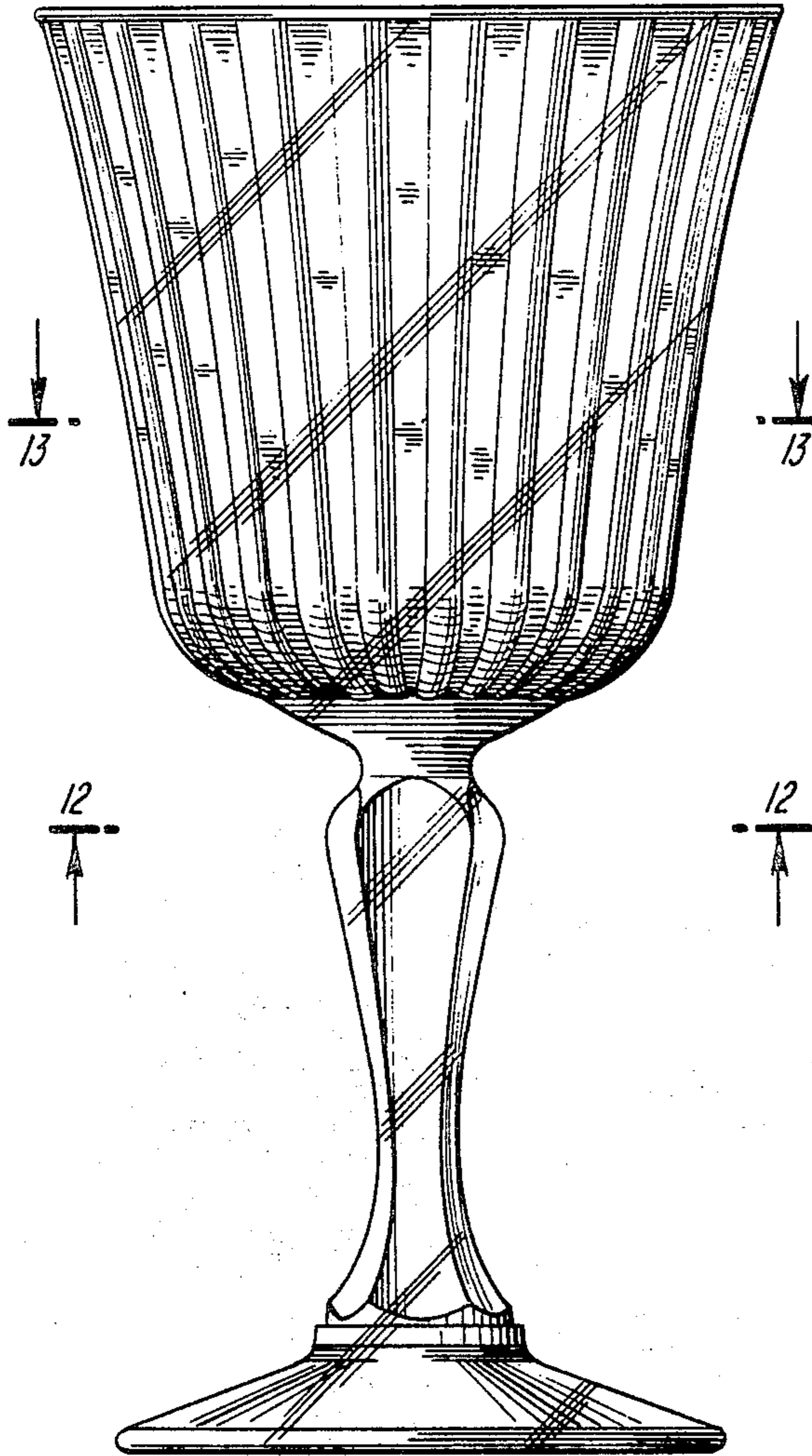


FIG. 9

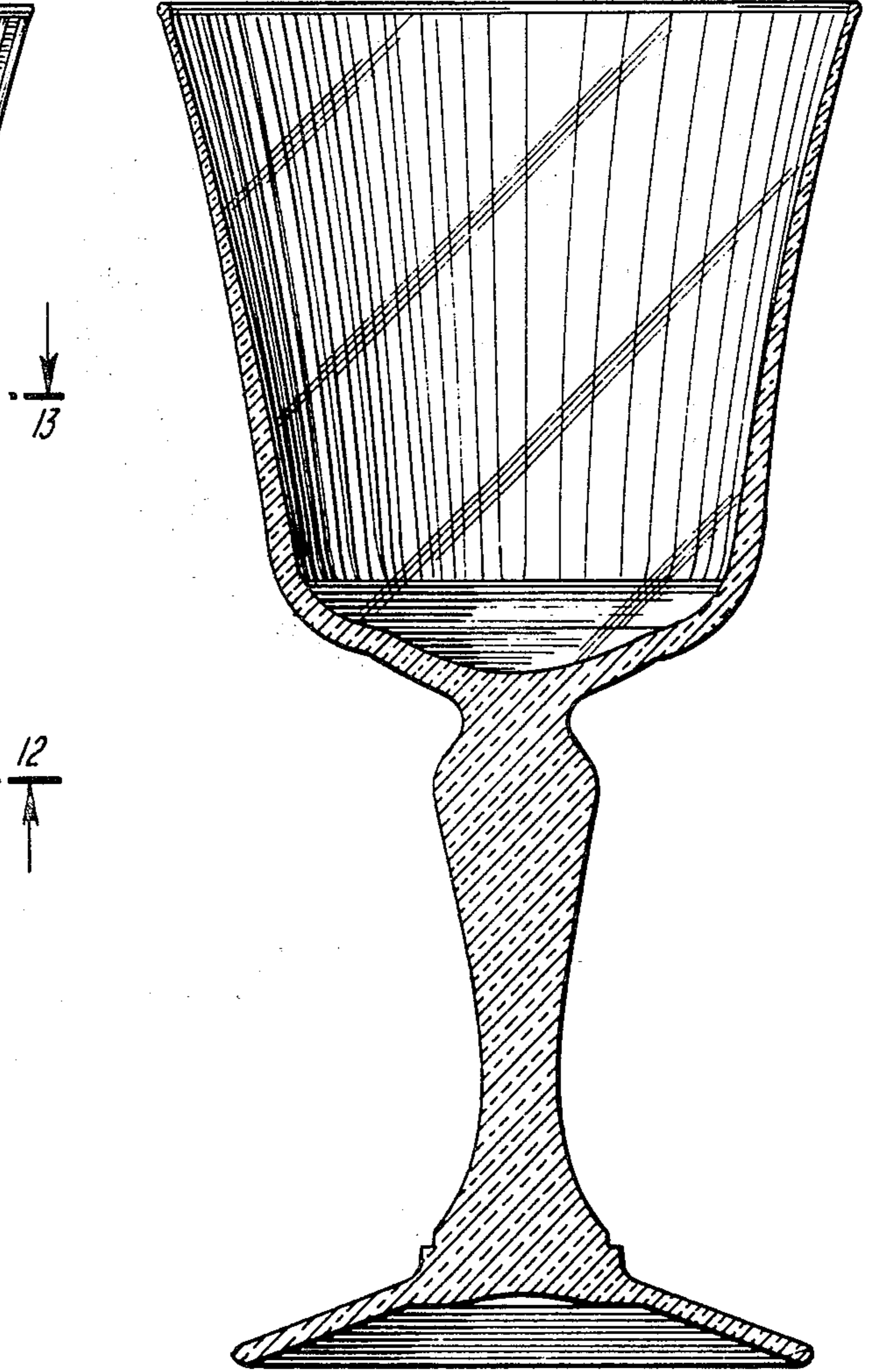
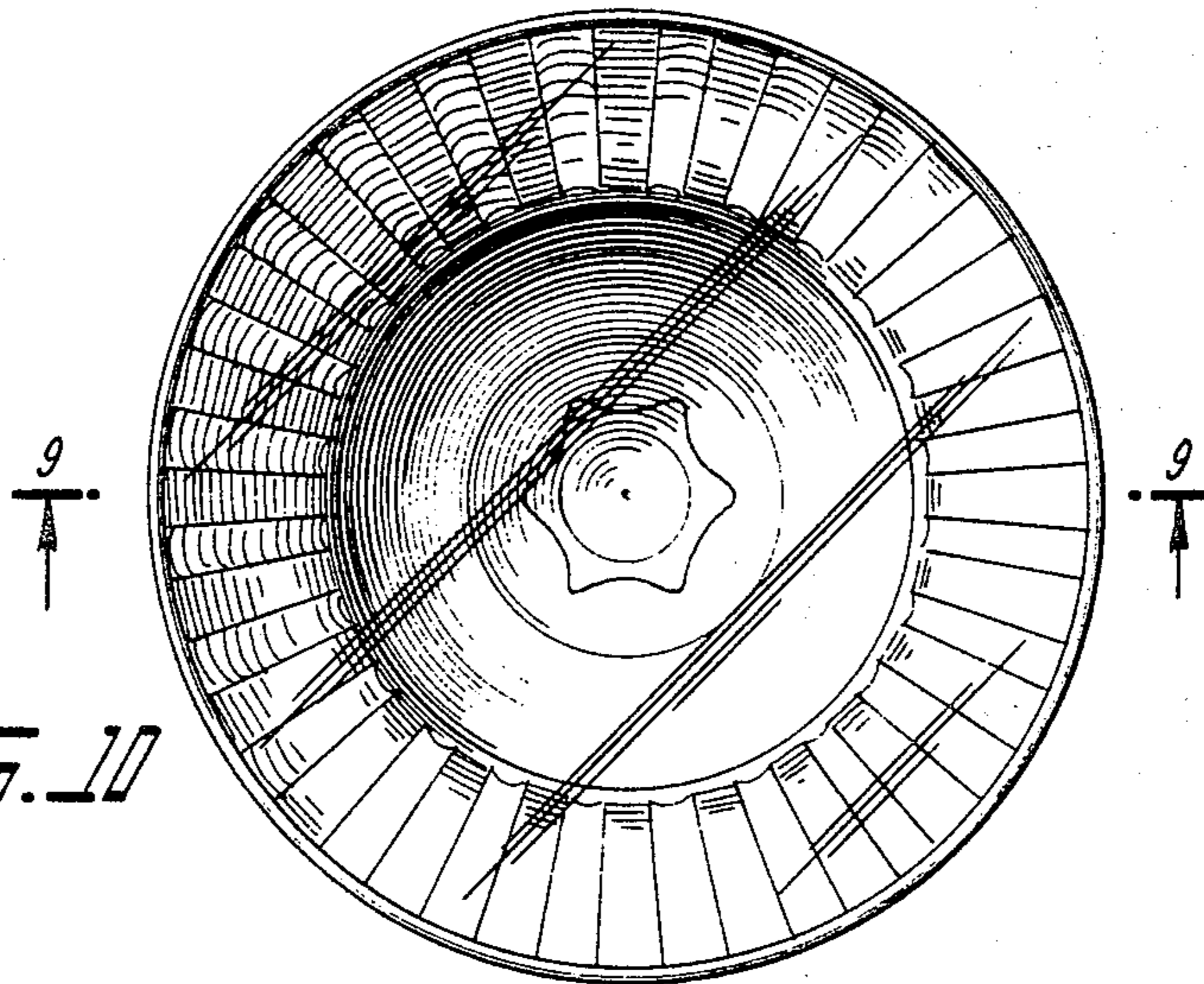


FIG. 10



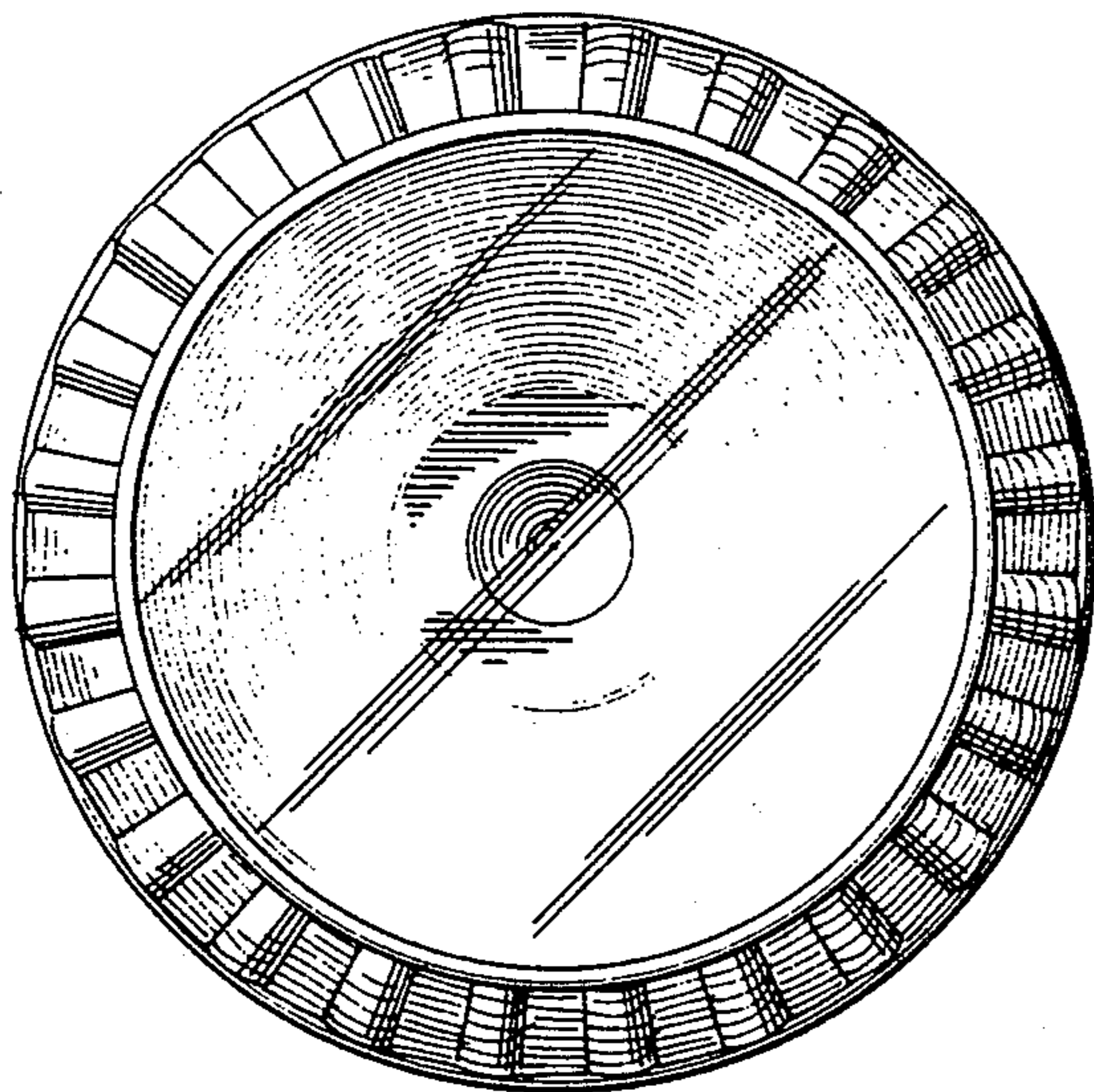


FIG. 11

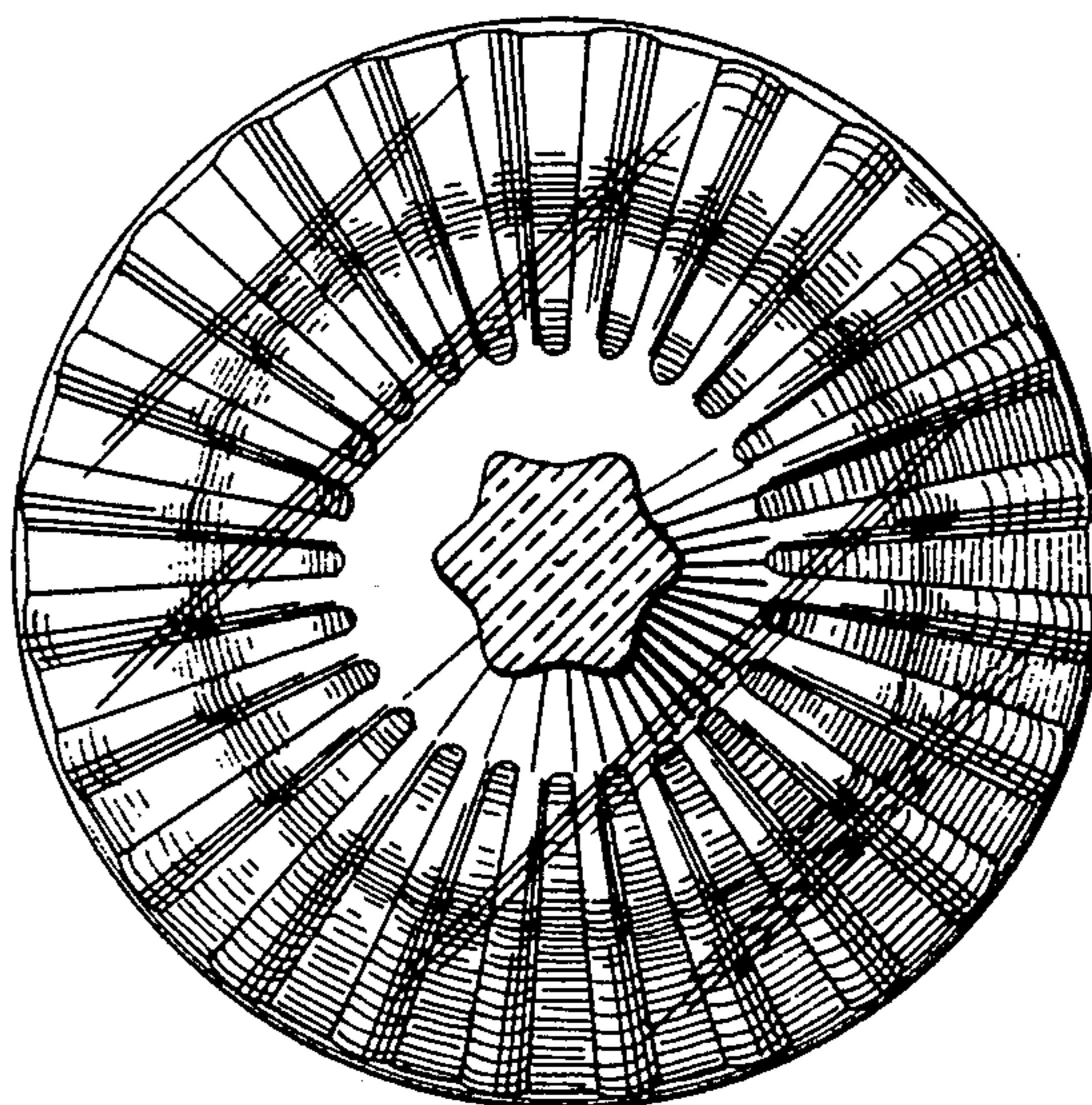


FIG. 12

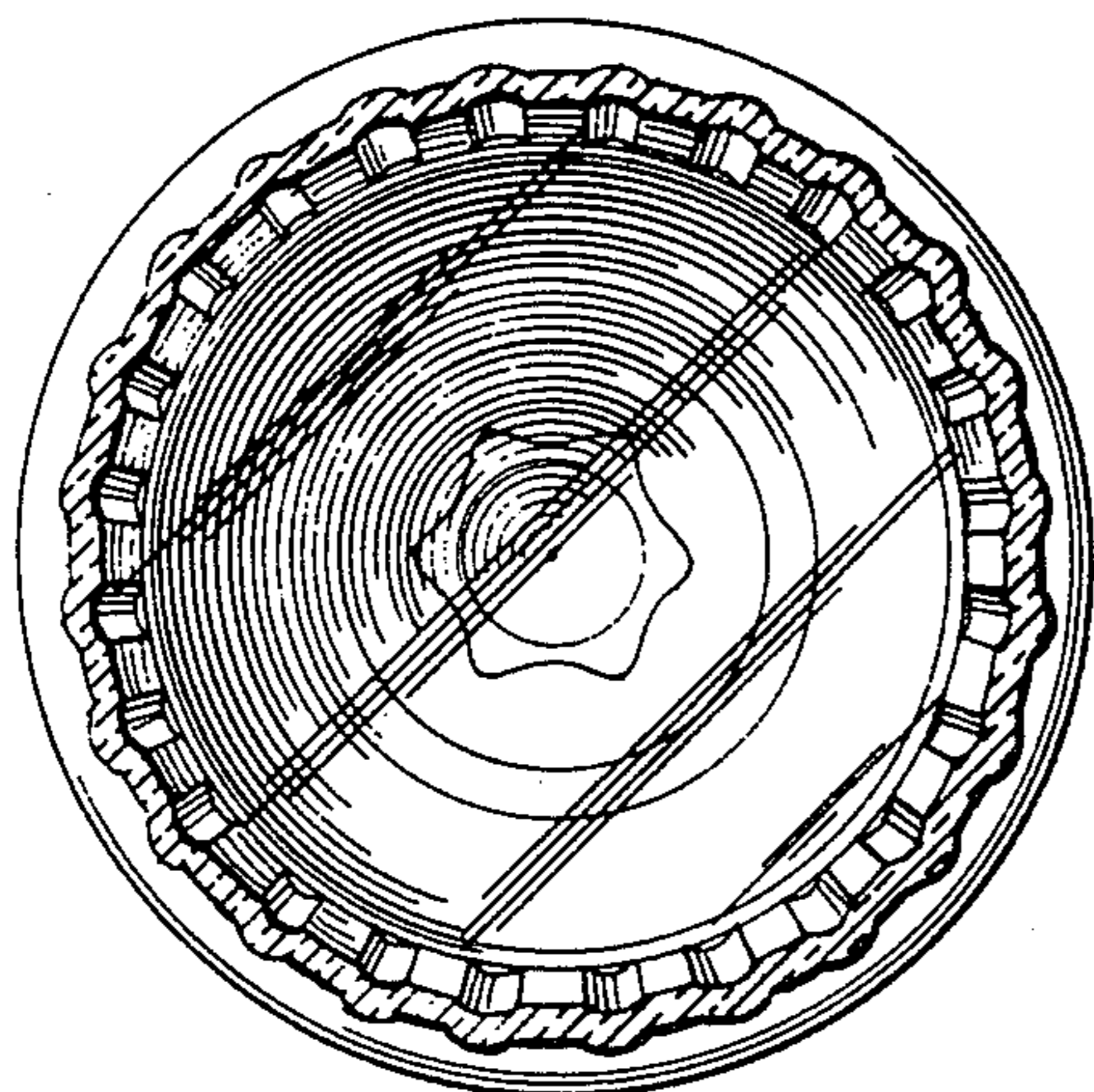


FIG. 13