

[54] TABLE

[75] Inventor: Christopher S. Bergelin, Morganton, N.C.

[73] Assignee: Gordon's Inc., Johnson City, Tenn.

[*] Notice: The portion of the term of this patent subsequent to May 20, 2000 has been disclaimed.

[**] Term: 14 Years

[21] Appl. No.: 778,138

[22] Filed: Sep. 20, 1985

[52] U.S. Cl. D6/484; D6/488

[58] Field of Search D6/461, 462, 463, 480, D6/481, 484, 488

[56] References Cited

U.S. PATENT DOCUMENTS

- D. 134,388 11/1942 Waltman D6/461
- D. 195,037 4/1963 Adkinson D6/488
- D. 250,308 11/1978 Adkinson D6/488 X

OTHER PUBLICATIONS

Tai Ming, brochure by Drexel, ©1982, p. 4, table No. 768-103.

East Wind brochure, American of Martinsville, Mar. 15, 1973, table No. 2653 14 661.

Primary Examiner—Bruce W. Dunkins
Attorney, Agent, or Firm—Wenderoth, Lind & Ponack

[57] CLAIM

The ornamental design for a table, as shown and described.

DESCRIPTION

FIG. 1 is a perspective view of a table showing my design;

FIG. 2 is a side view of the table shown in FIG. 1;

FIG. 3 is a plan view of the table shown in FIG. 1;

FIG. 4 is a perspective view of a table showing a modified form of my new design;

FIG. 5 is a side view of the table shown in FIG. 4;

FIG. 6 is a plan view of the table shown in FIG. 4;

FIG. 7 is a perspective view of a table showing another modified form of my new design;

FIG. 8 is a side view of the table shown in FIG. 7; and

FIG. 9 is a plan view of the table shown in FIG. 7.

The bottom of each embodiment is unornamented, and the views of the side of each embodiment opposite those shown in FIGS. 2, 5 and 8 are identical to the side views shown in FIGS. 2, 5 and 8, respectively.

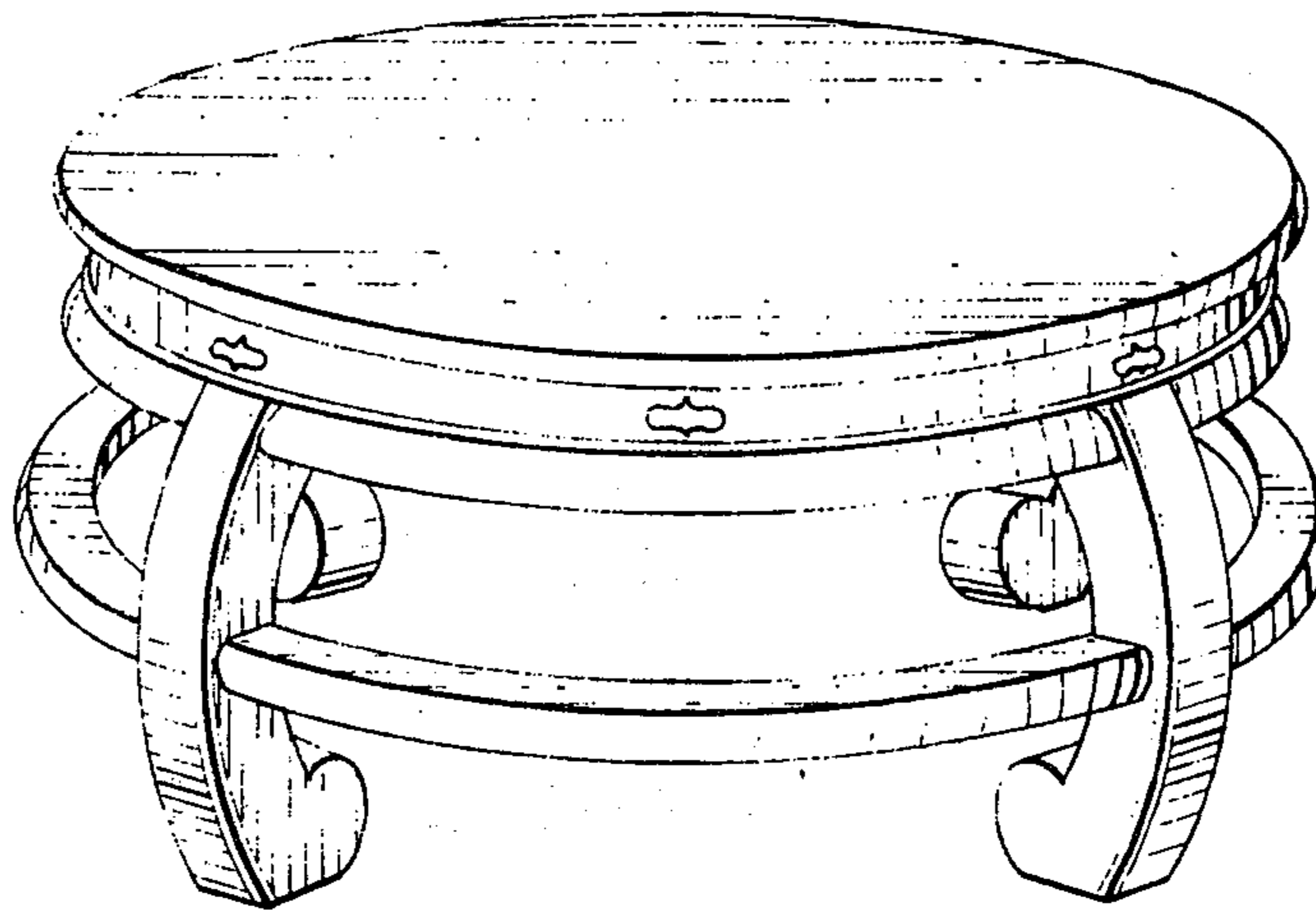


FIG. 1.

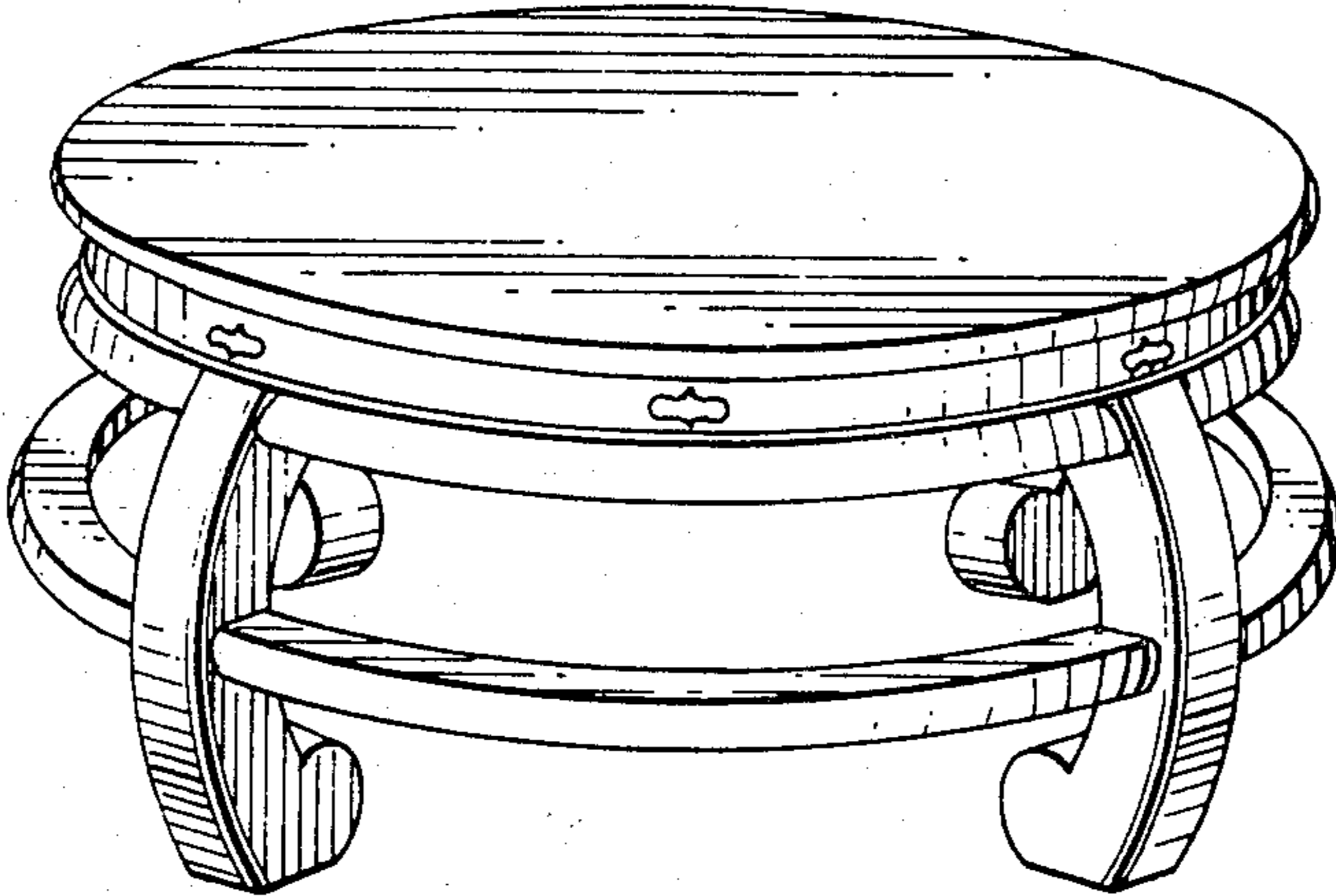


FIG. 3.

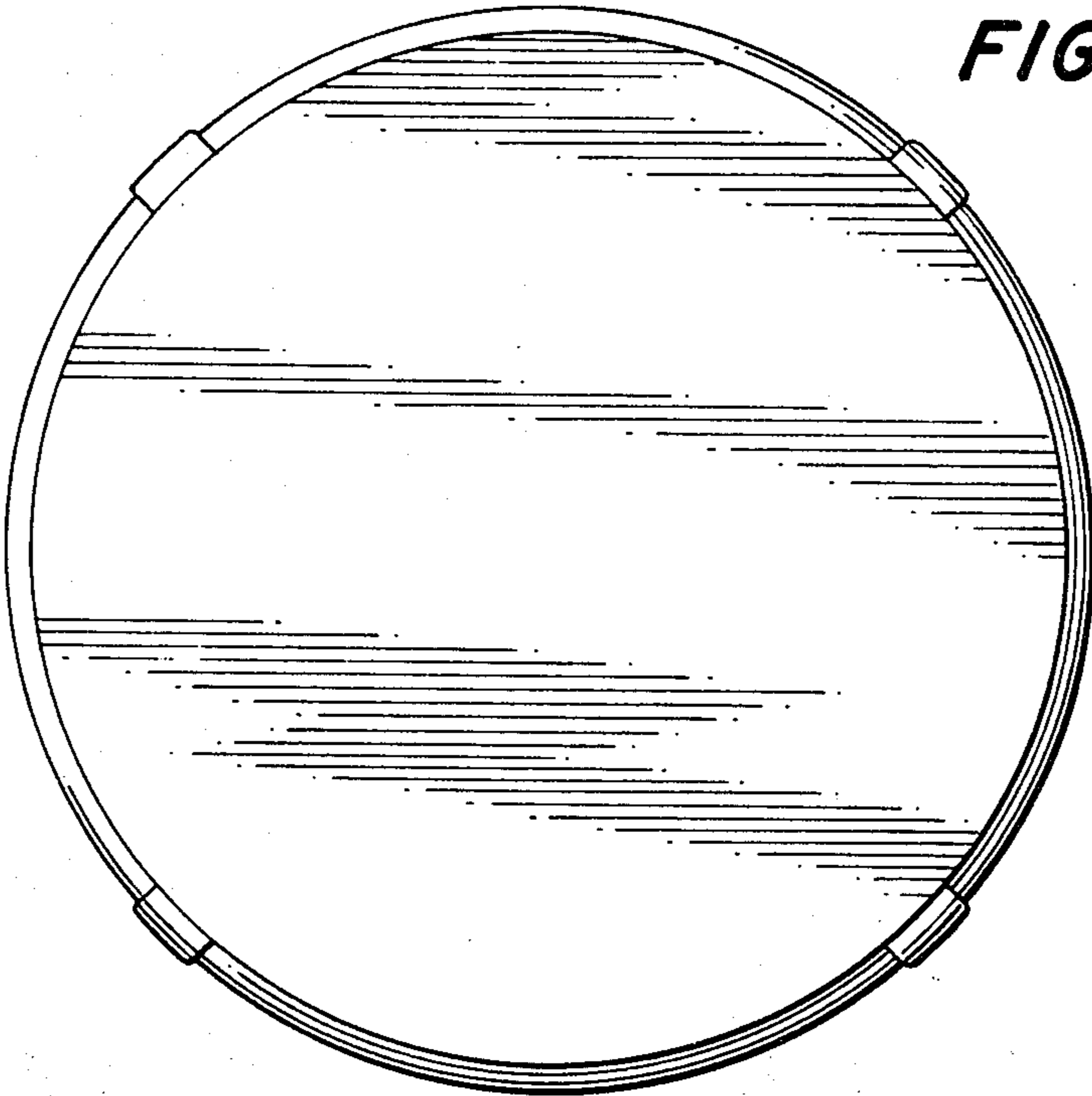


FIG. 2.

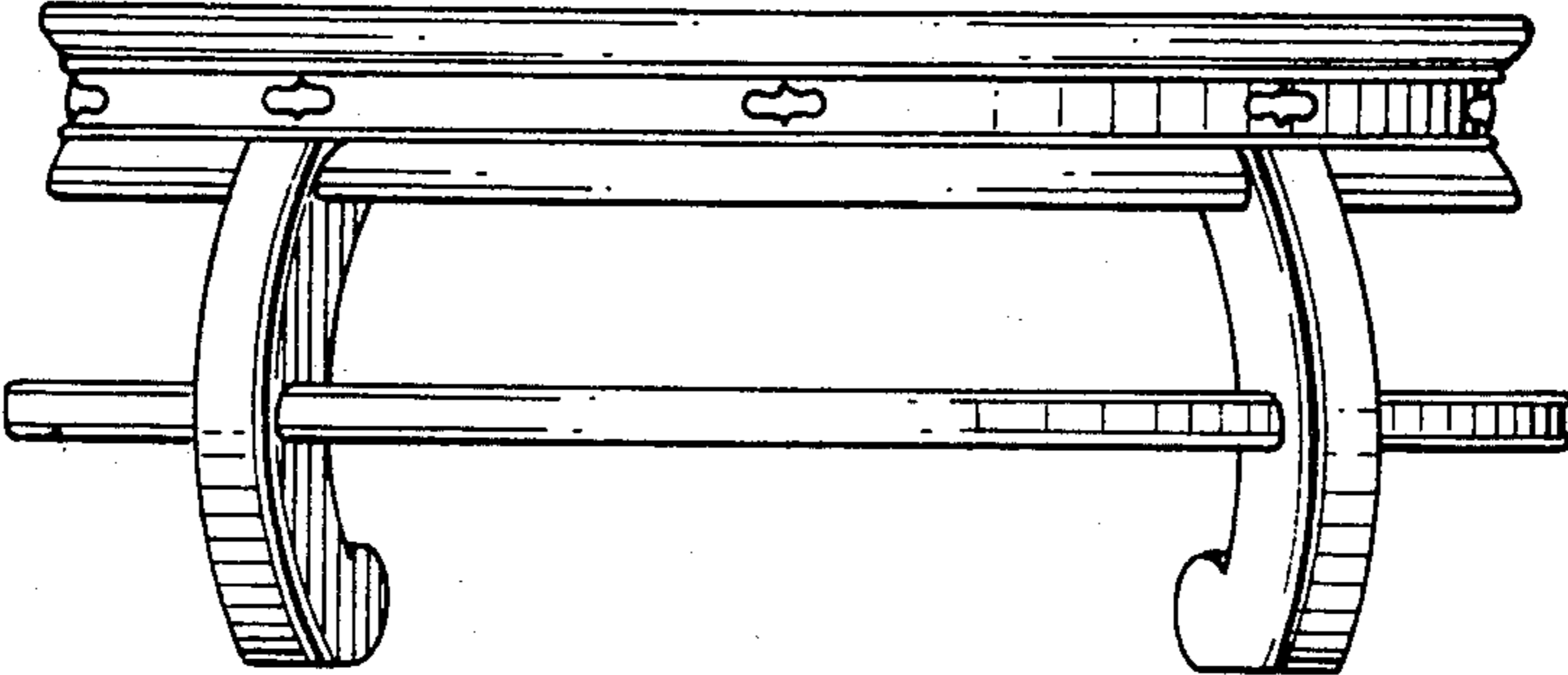


FIG. 7.

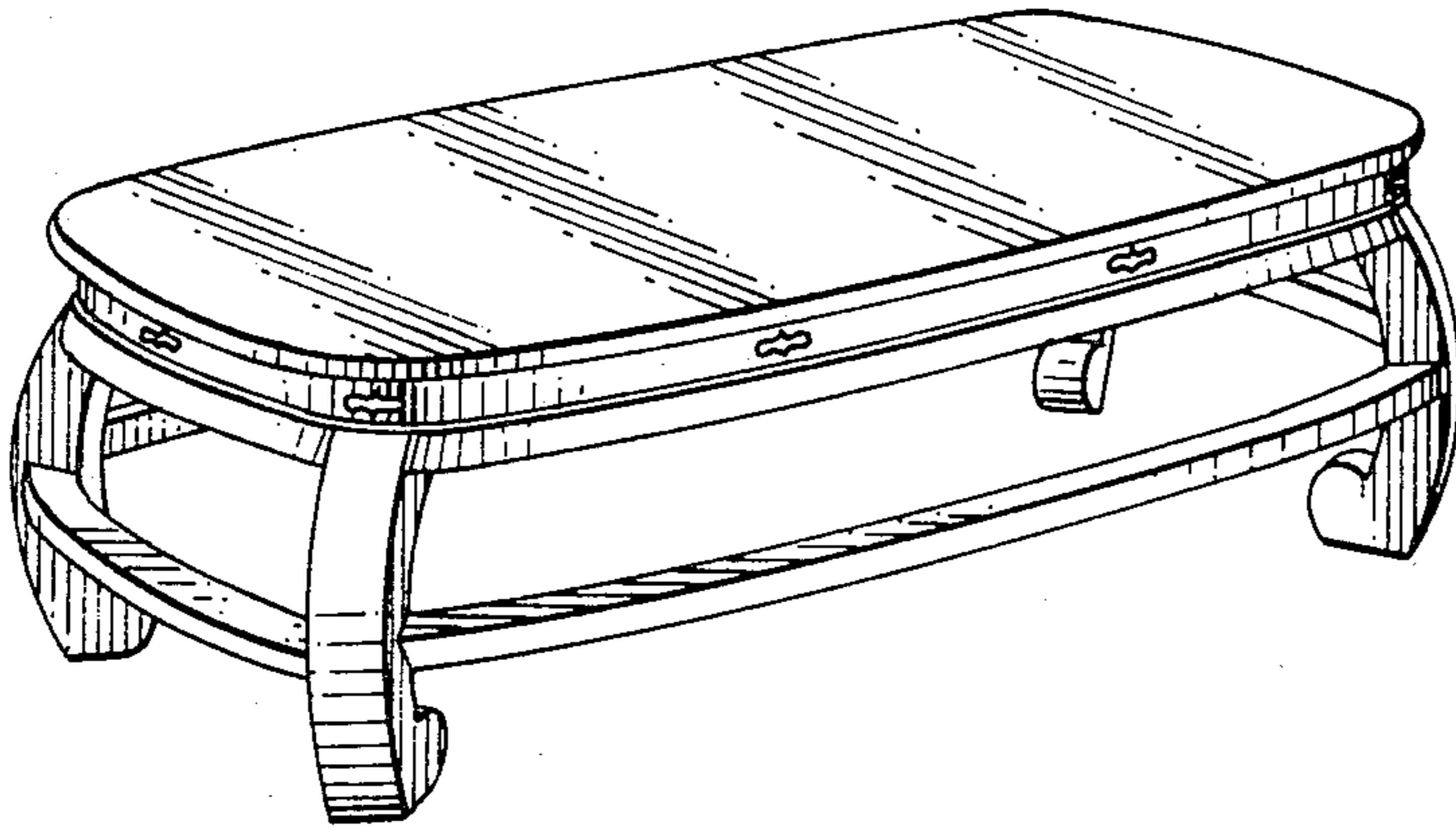


FIG. 8.

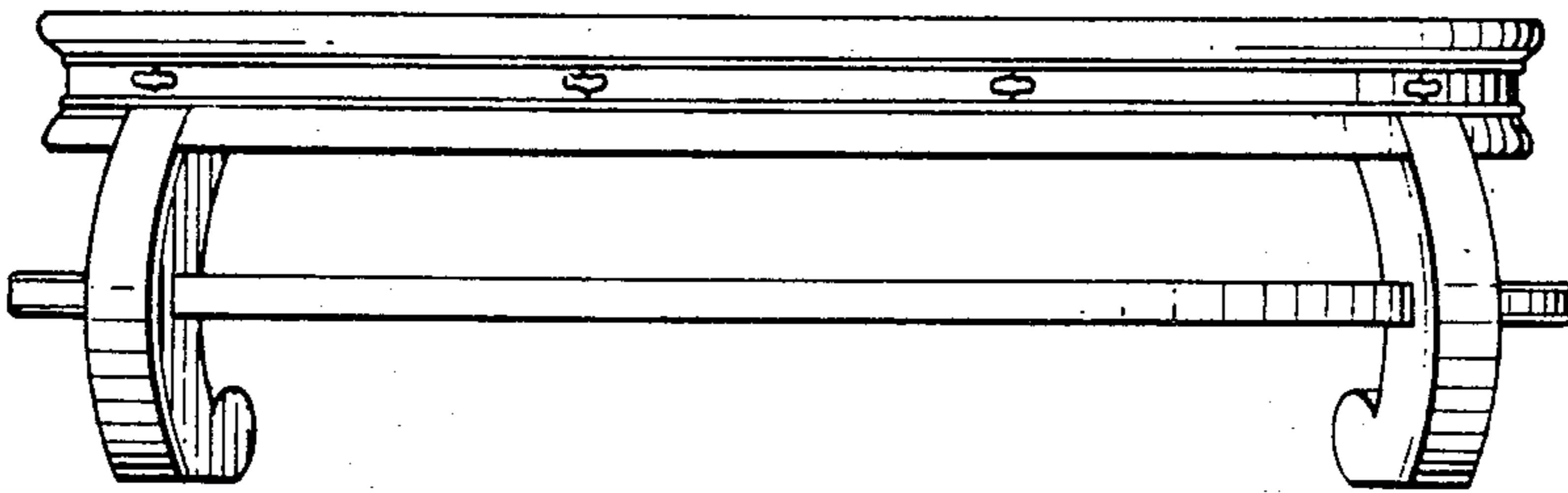


FIG. 9.

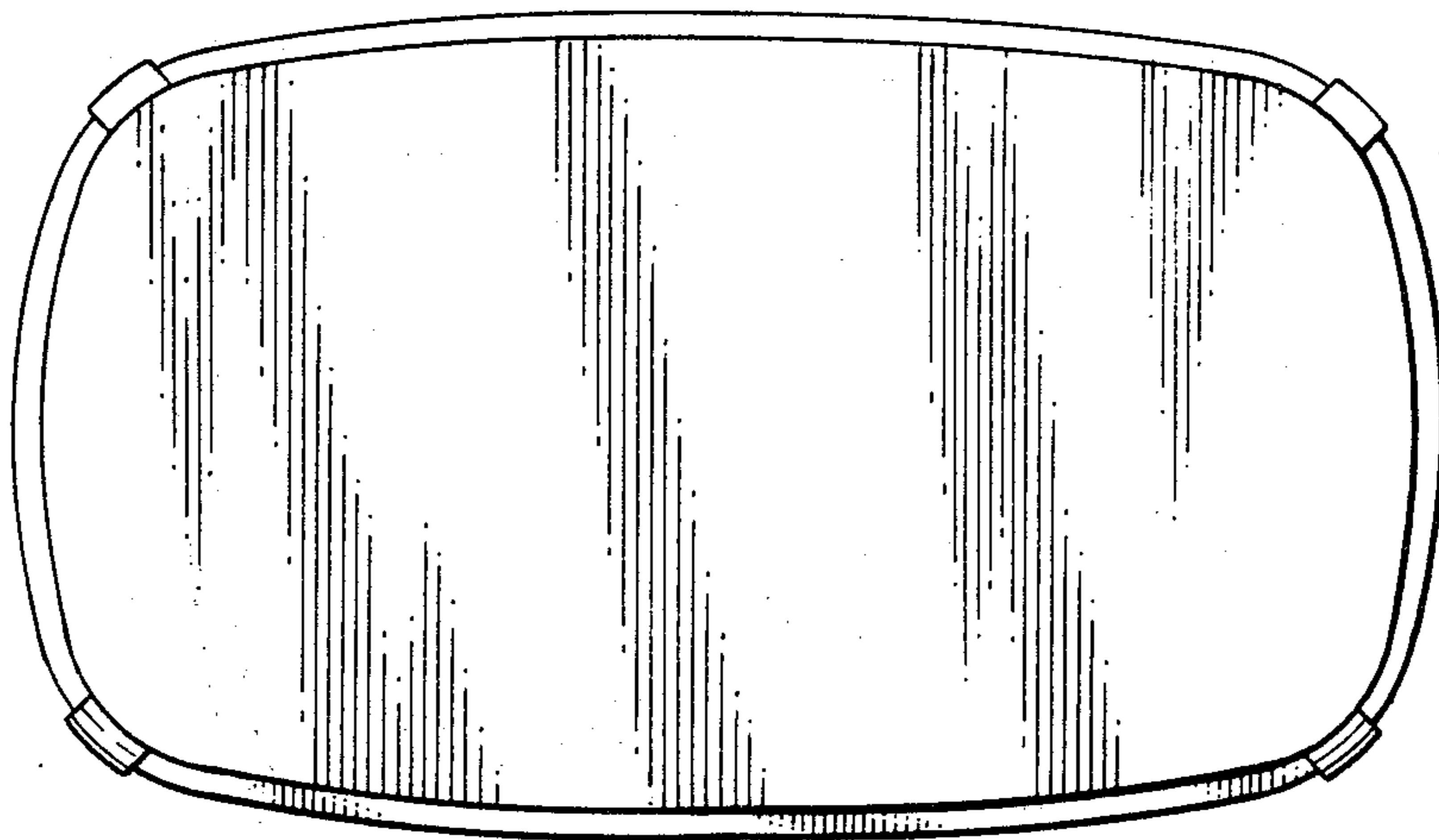


FIG. 4.

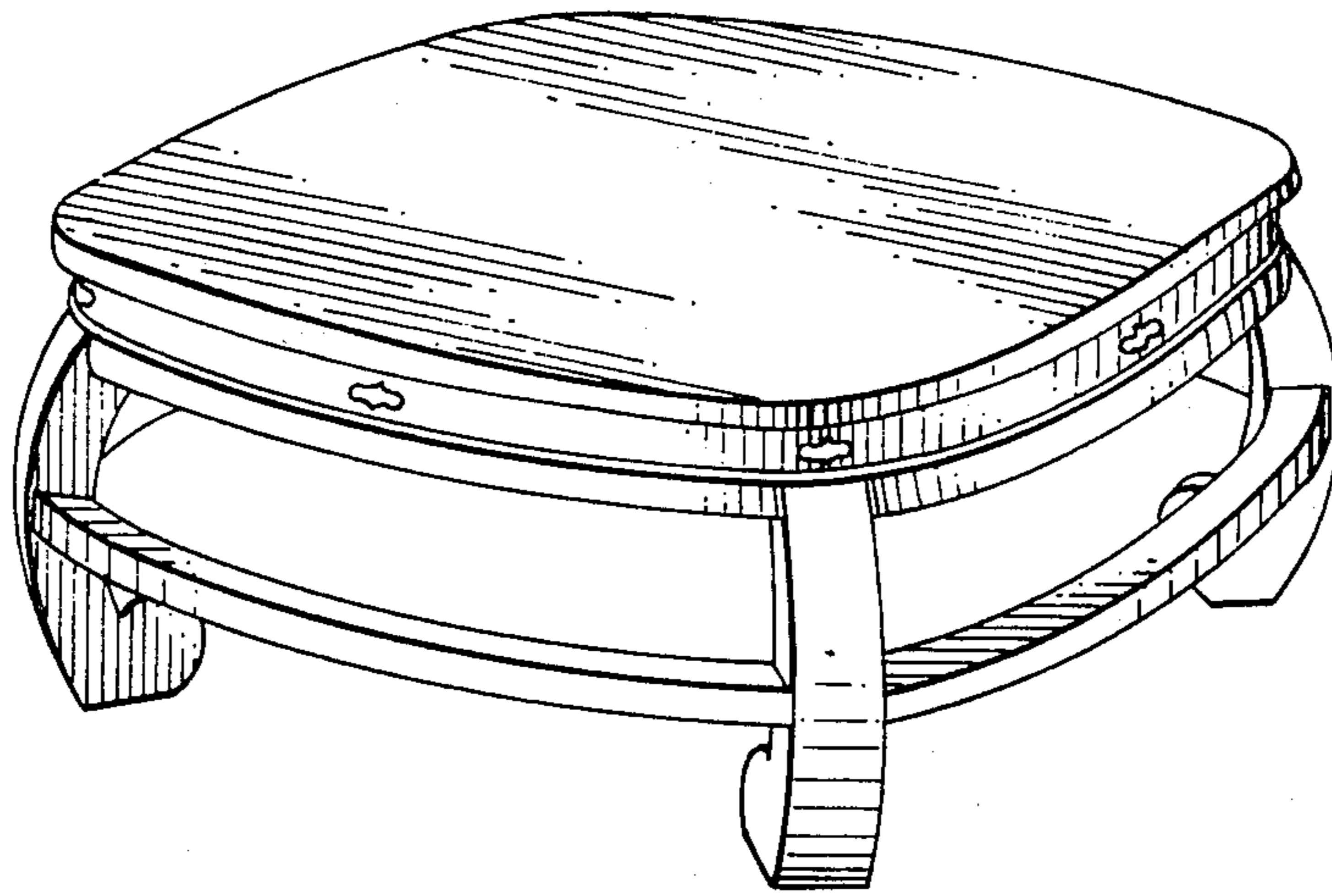


FIG. 5.

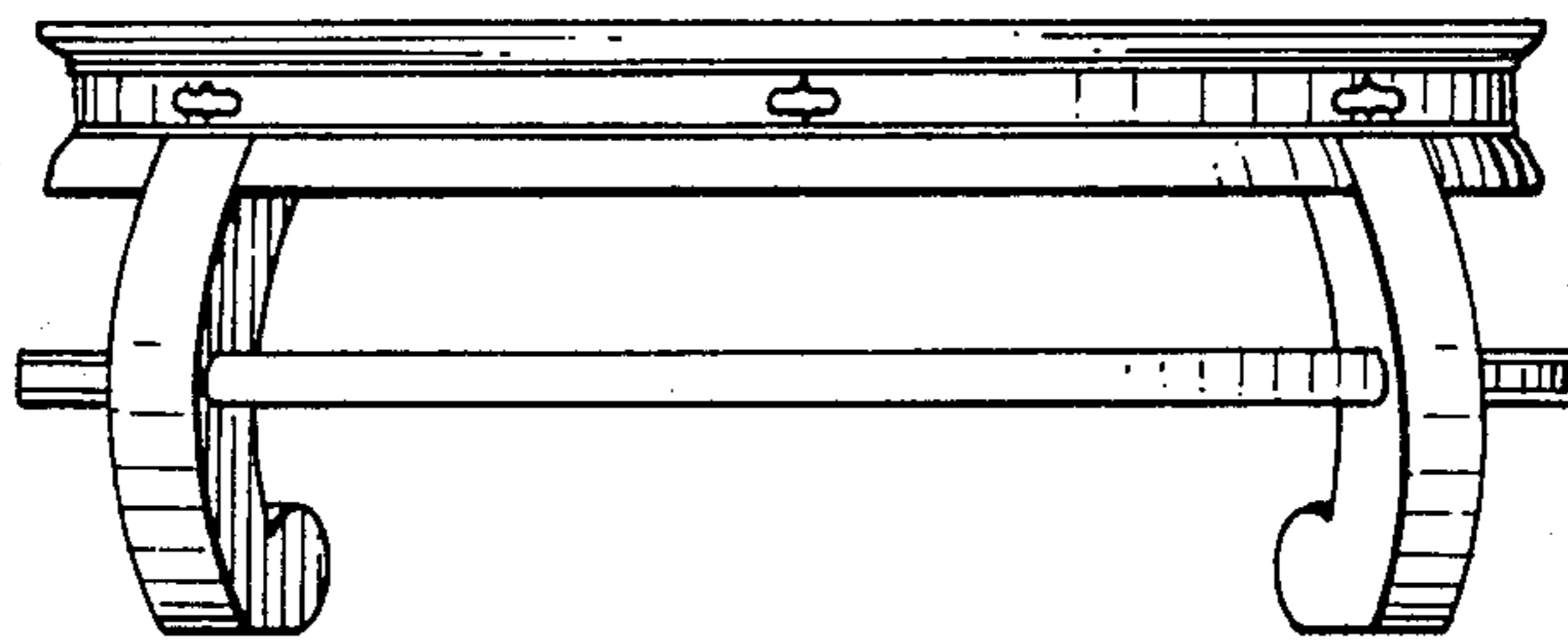


FIG. 6.

