

[54] HOLDER FOR MULTIPLE READING MATERIAL

[76] Inventor: Victor M. Chinchar, Two King James South, 24650 Center Ridge Rd., Westlake, Ohio 44145

[**] Term: 14 Years

[21] Appl. No.: 582,270

[22] Filed: Feb. 22, 1984

[52] U.S. Cl. D6/469

[58] Field of Search D6/449, 450, 466, 467, D6/468, 469, 474, 475, 476, 473; D7/71; D19/90, 91; D34/43, 44, 45; 211/42

[56] References Cited

U.S. PATENT DOCUMENTS

- D. 119,560 3/1940 Schaffer D6/473
- D. 138,130 6/1944 Goodin D34/44
- D. 149,740 5/1948 Crain D6/473

- D. 193,313 7/1962 Peca D34/44
- D. 251,412 3/1979 Weber D7/71
- D. 252,004 6/1979 Leventhal 6/469 X
- D. 266,129 9/1982 Lidstrom D6/469
- D. 276,777 12/1984 Evenson D19/91 X

Primary Examiner—Carmen H. Vales
Attorney, Agent, or Firm—J. Helen Slough

[57] CLAIM

The ornamental design for a holder for multiple reading material, as shown and described.

DESCRIPTION

FIG. 1 is a front perspective view of a holder for multiple reading material showing my new design; FIG. 2 is a rear perspective view thereof; FIG. 3 is a top plan view thereof; FIG. 4 is a front elevational view thereof; FIG. 5 is a rear elevational view thereof; and FIG. 6 is a side elevational view, the opposite side being a mirror image thereof.

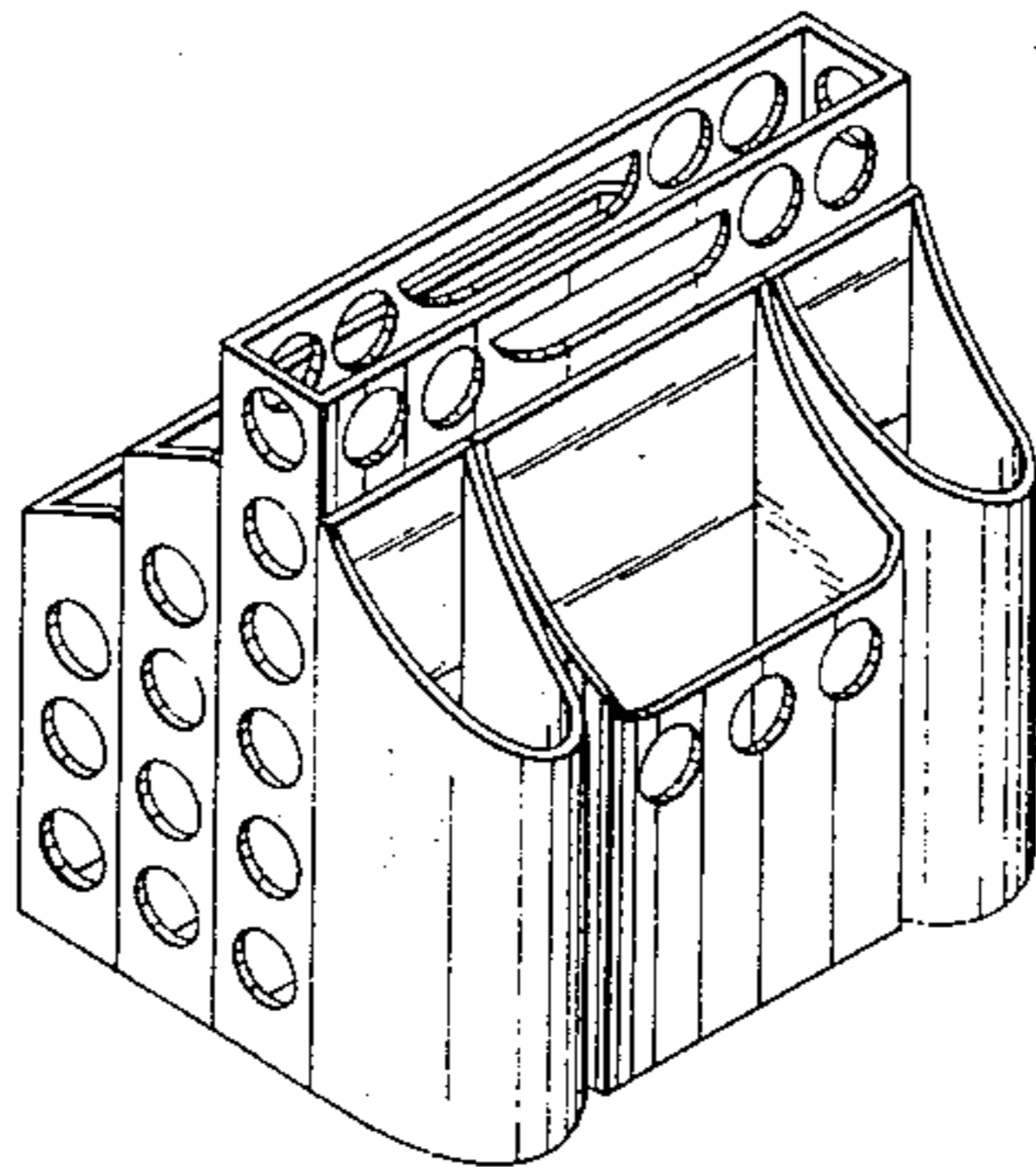
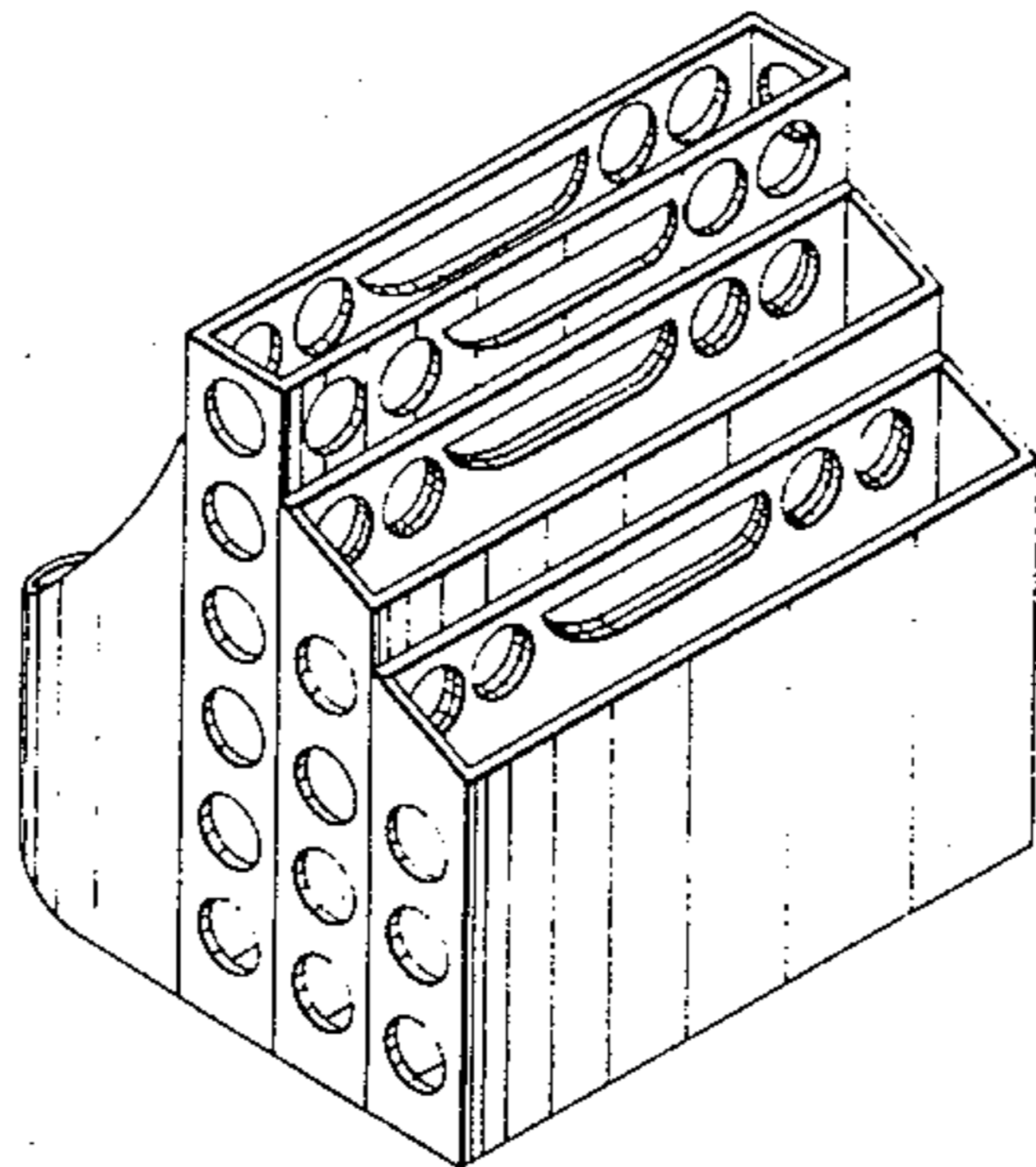


Fig. 1

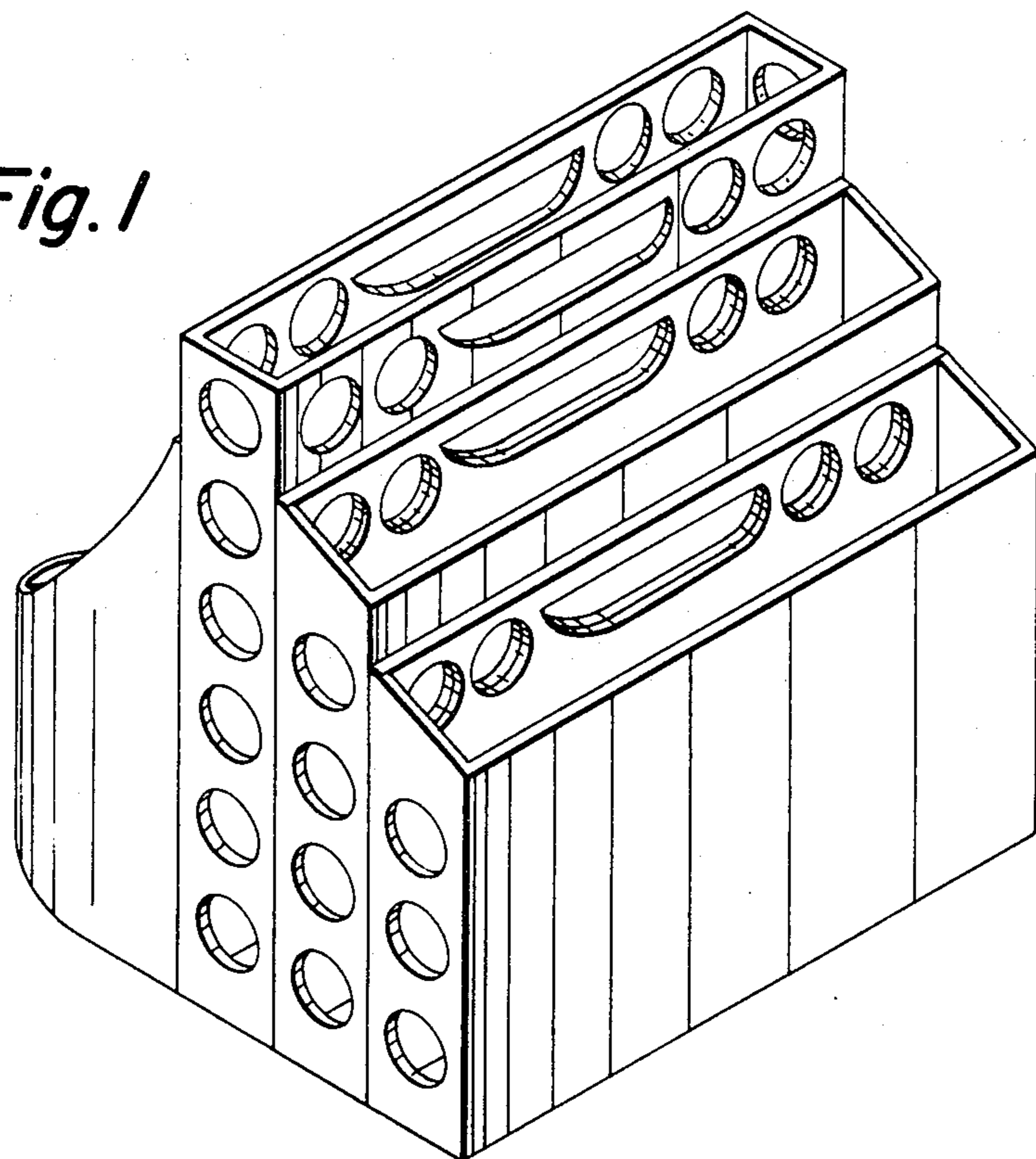


Fig. 2

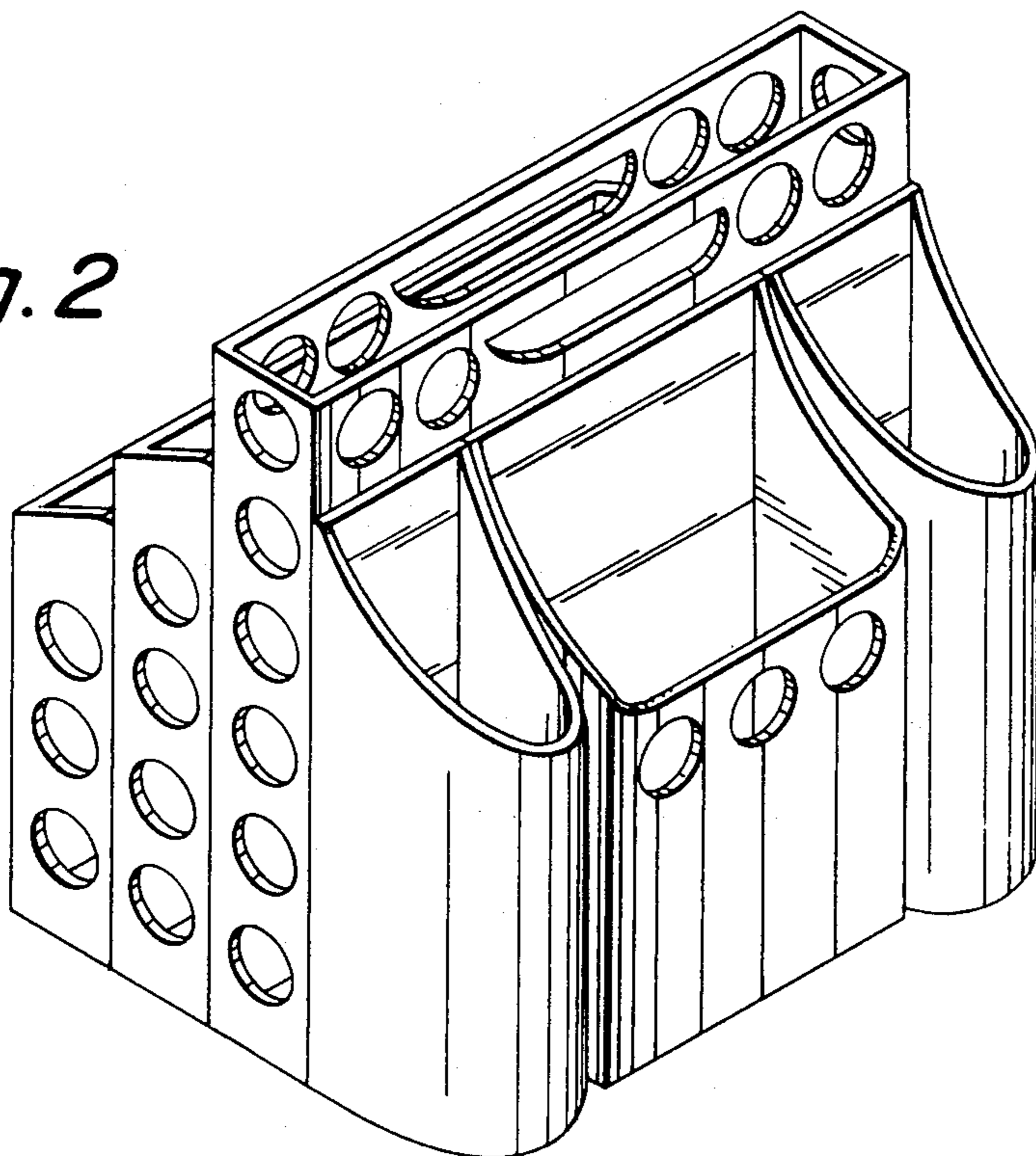


Fig. 3

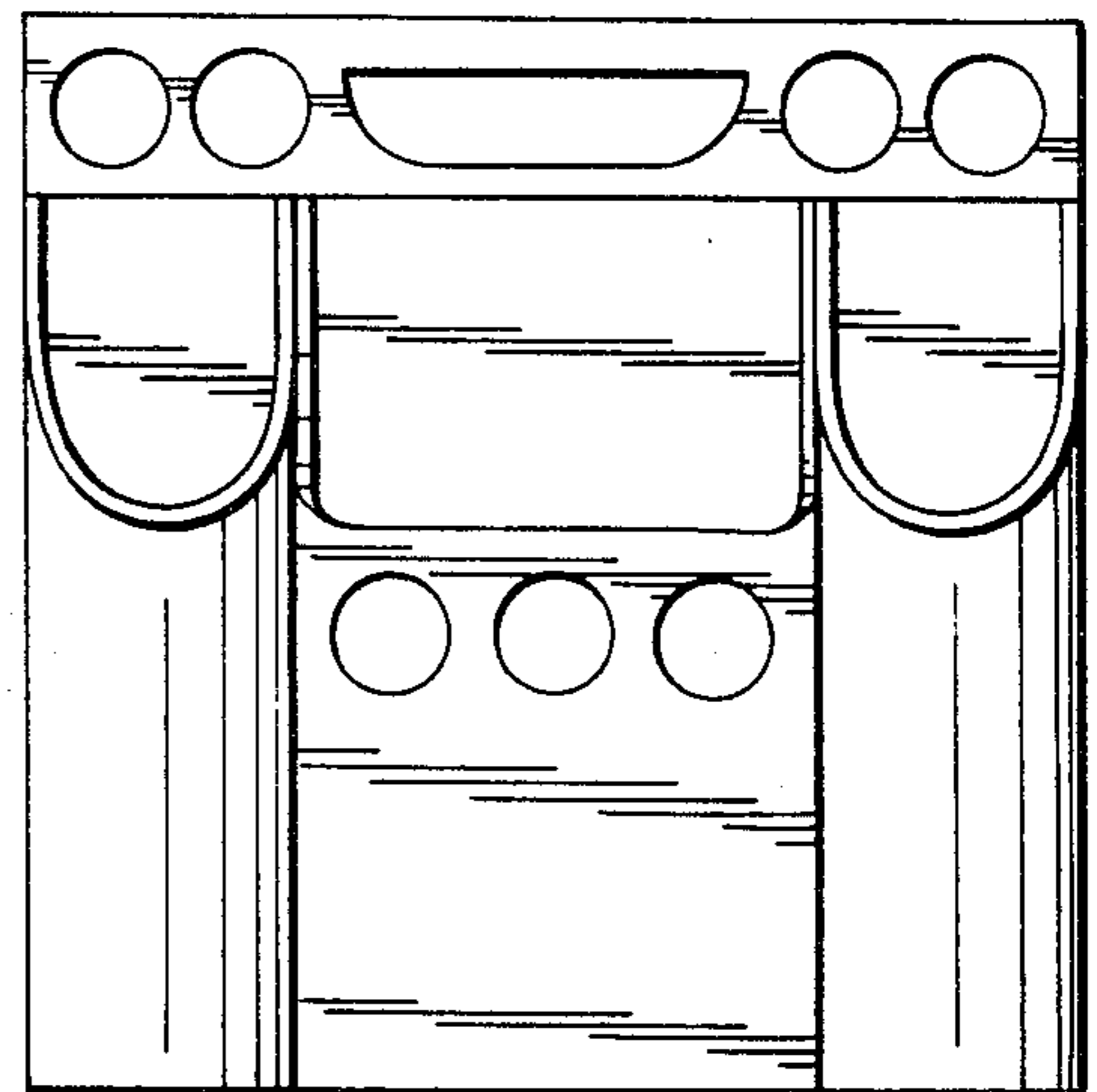
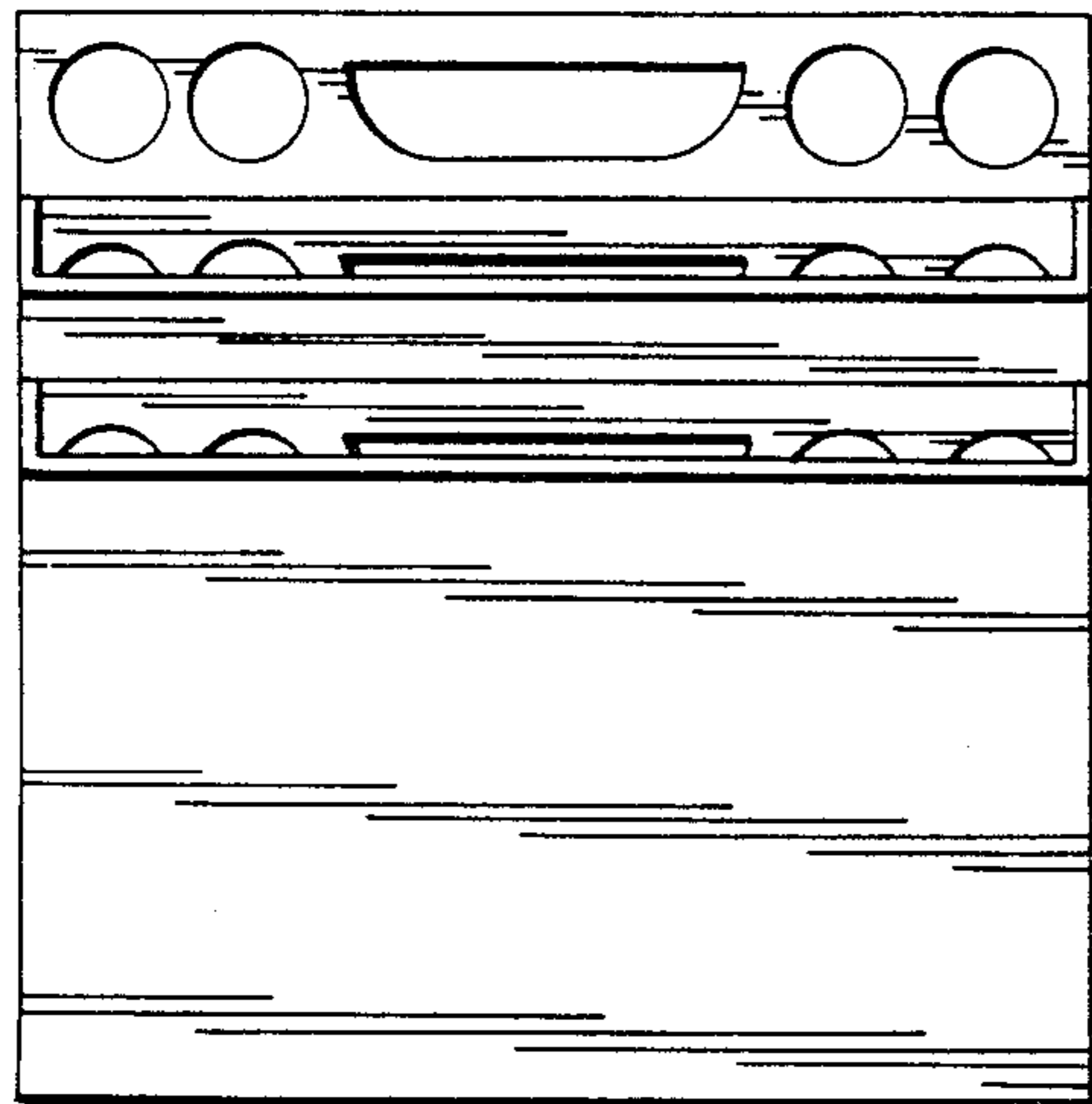
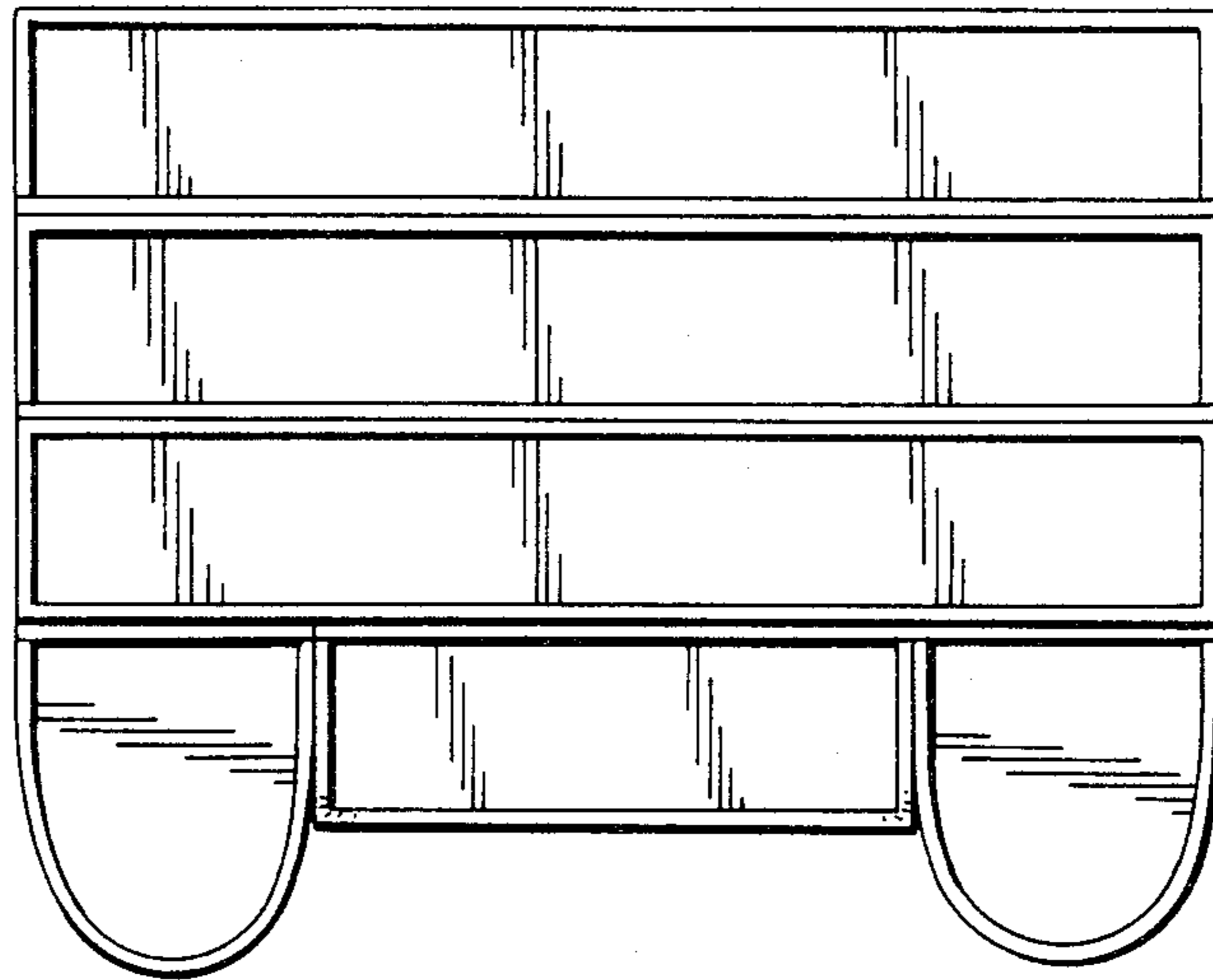


Fig. 4

Fig. 5

Fig. 6

