

[54] DISPLAY RACK

[76] Inventor: Douglas P. Blunden, 18595 N. Oak Ct., Mount Clemens, Mich. 48044

[\*\*] Term: 14 Years

[21] Appl. No.: 528,637

[22] Filed: Sep. 1, 1983

[52] U.S. Cl. .... D6/457; D6/458; D6/467

[58] Field of Search ..... D6/449, 455, 457, 458, D6/459, 460, 467; 211/13

[56] References Cited

U.S. PATENT DOCUMENTS

D. 41,688 8/1911 Hohner ..... D6/458

D. 63,786 1/1924 Henderson ..... D6/458 X  
D. 65,278 7/1924 Kelly ..... D6/457  
D. 224,060 6/1972 Larson ..... D6/458 X  
D. 261,744 11/1981 Mulvihill ..... D6/457

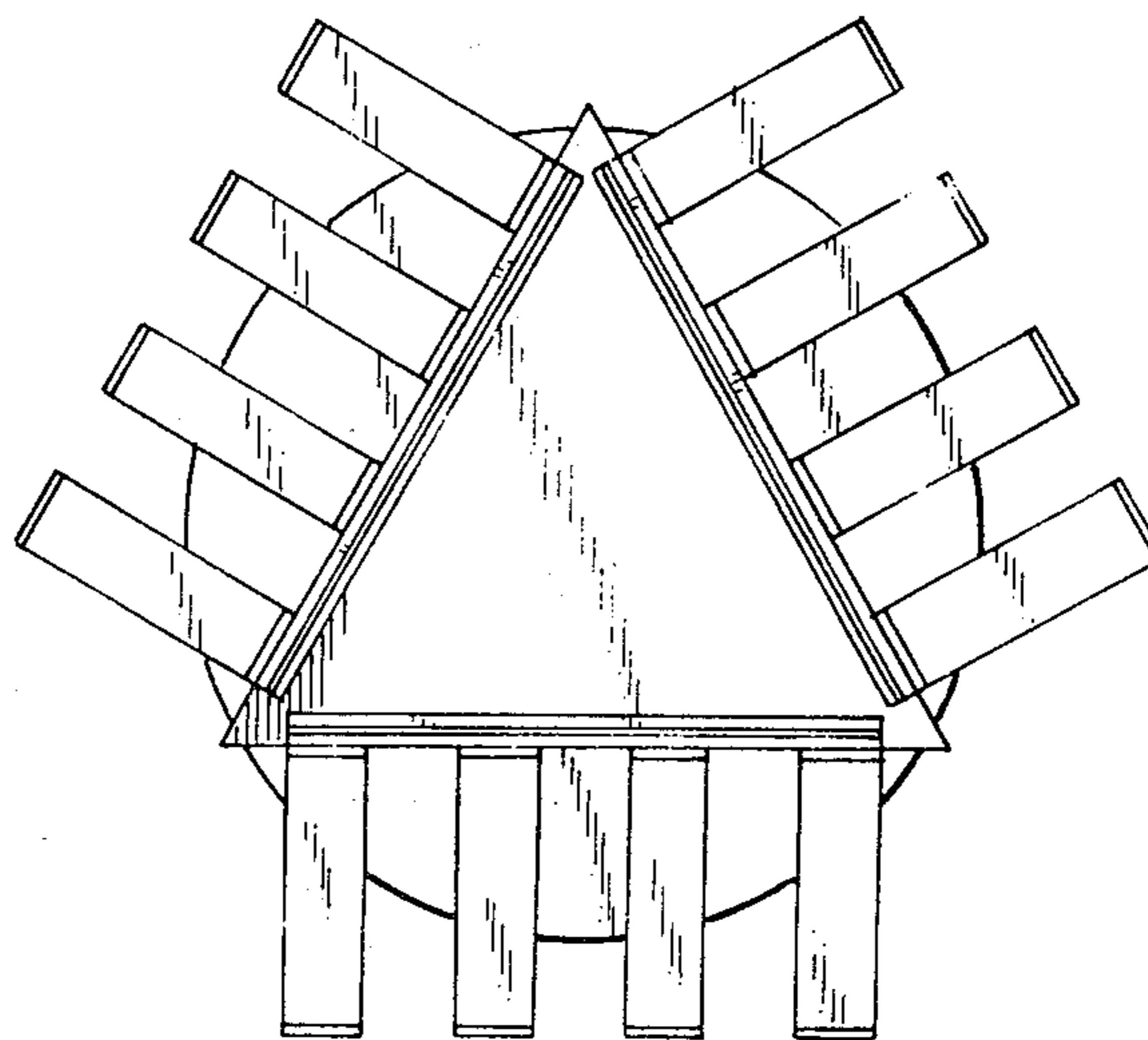
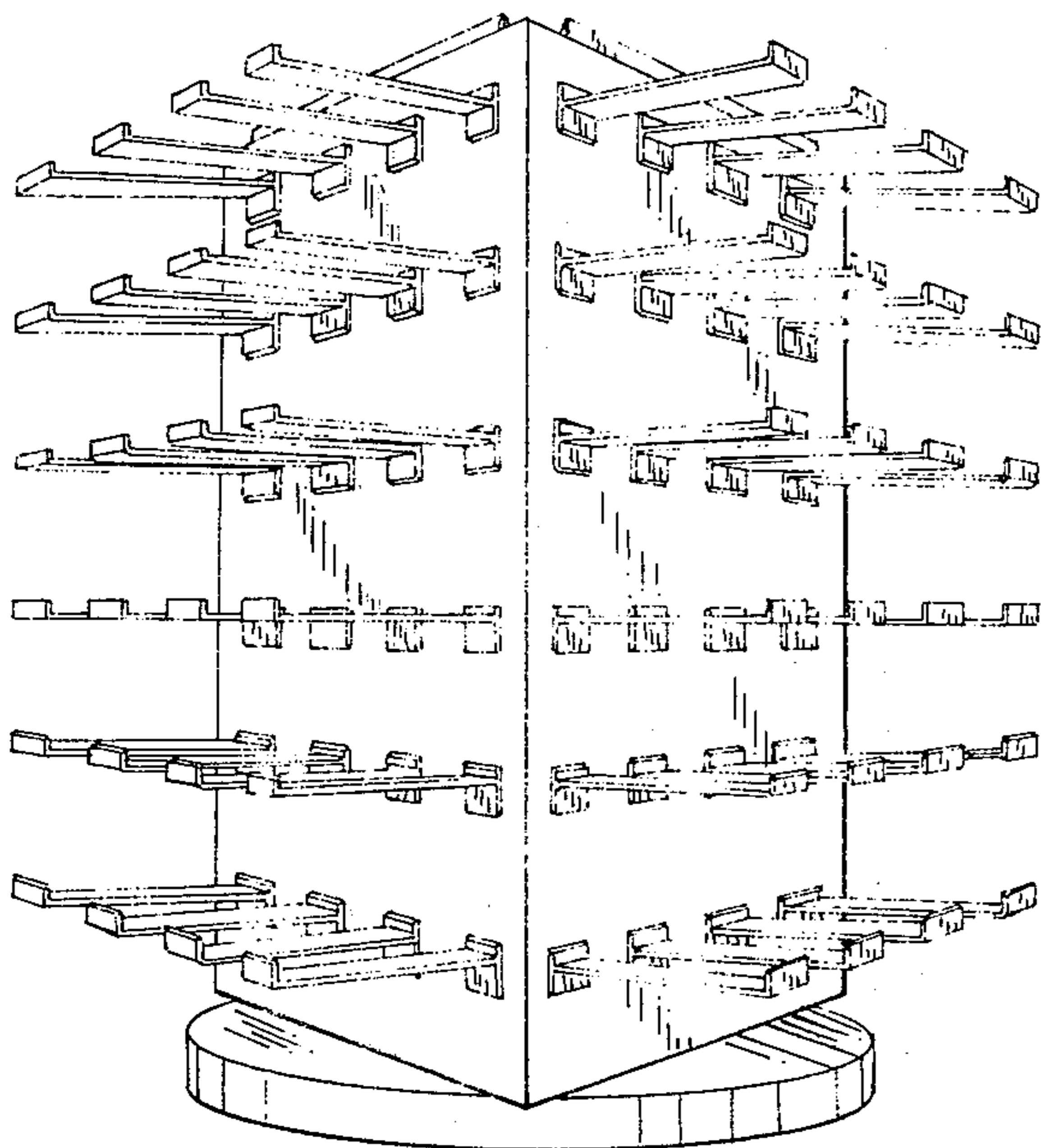
Primary Examiner—Carmen H. Vales  
Attorney, Agent, or Firm—Basile Weintraub Hanlon

[57] CLAIM

The ornamental design for a display rack, as shown and described.

DESCRIPTION

FIG. 1 is a front perspective view of a display rack showing my new design;  
FIG. 2 is a rear perspective view thereof;  
FIG. 3 is a top plan view thereof; and  
FIG. 4 is a bottom plan view thereof.



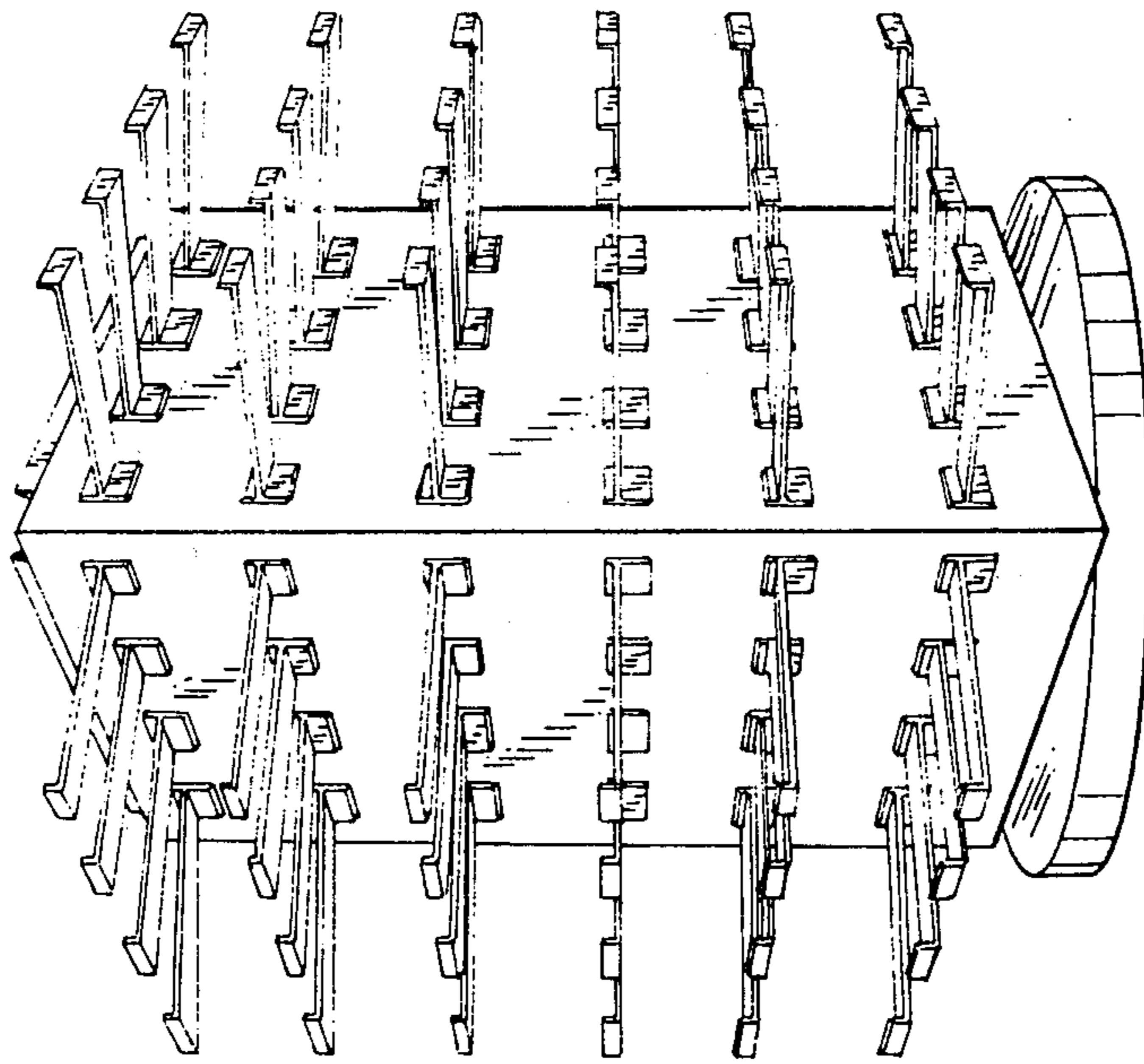


FIG-2

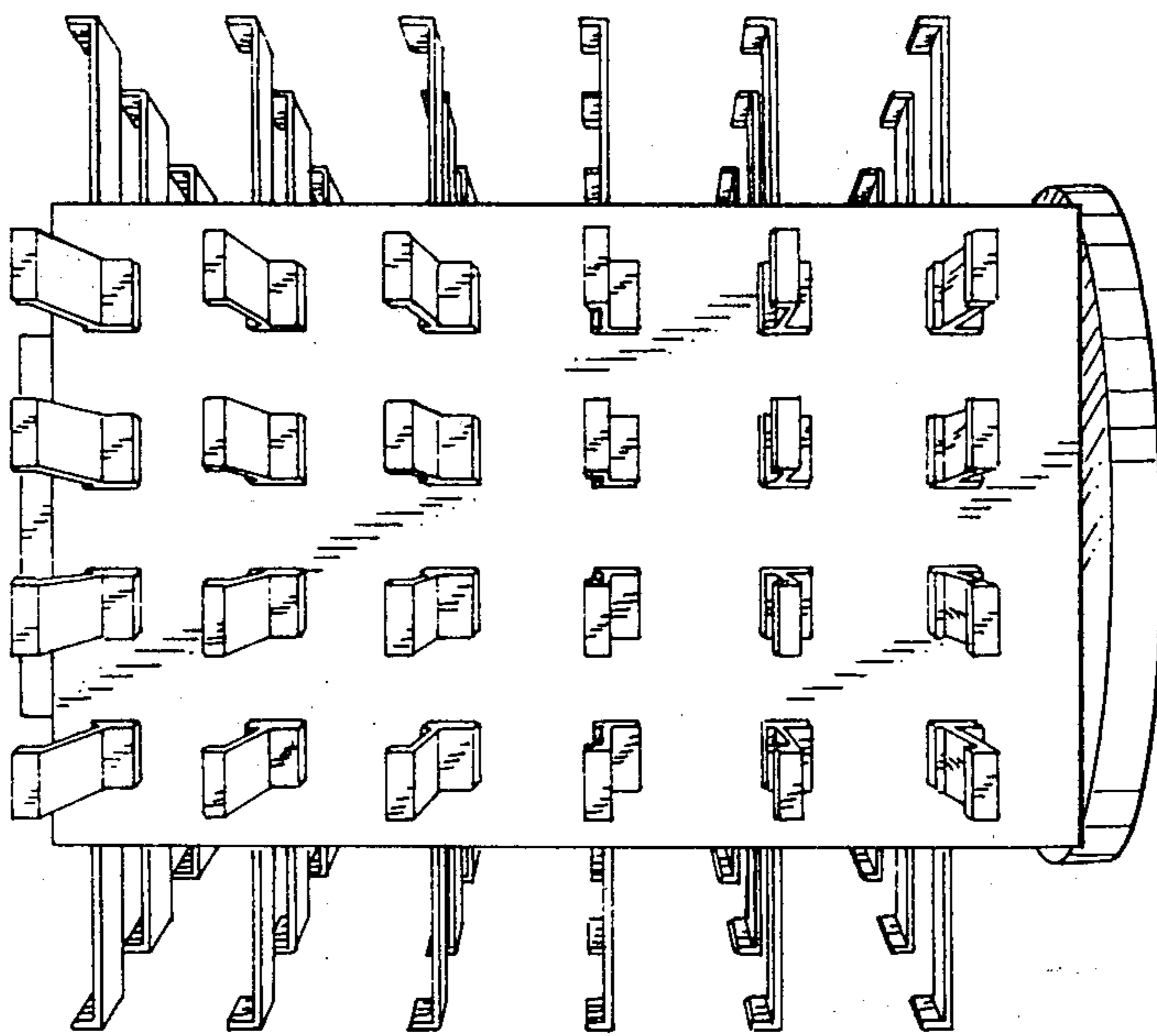


FIG-1

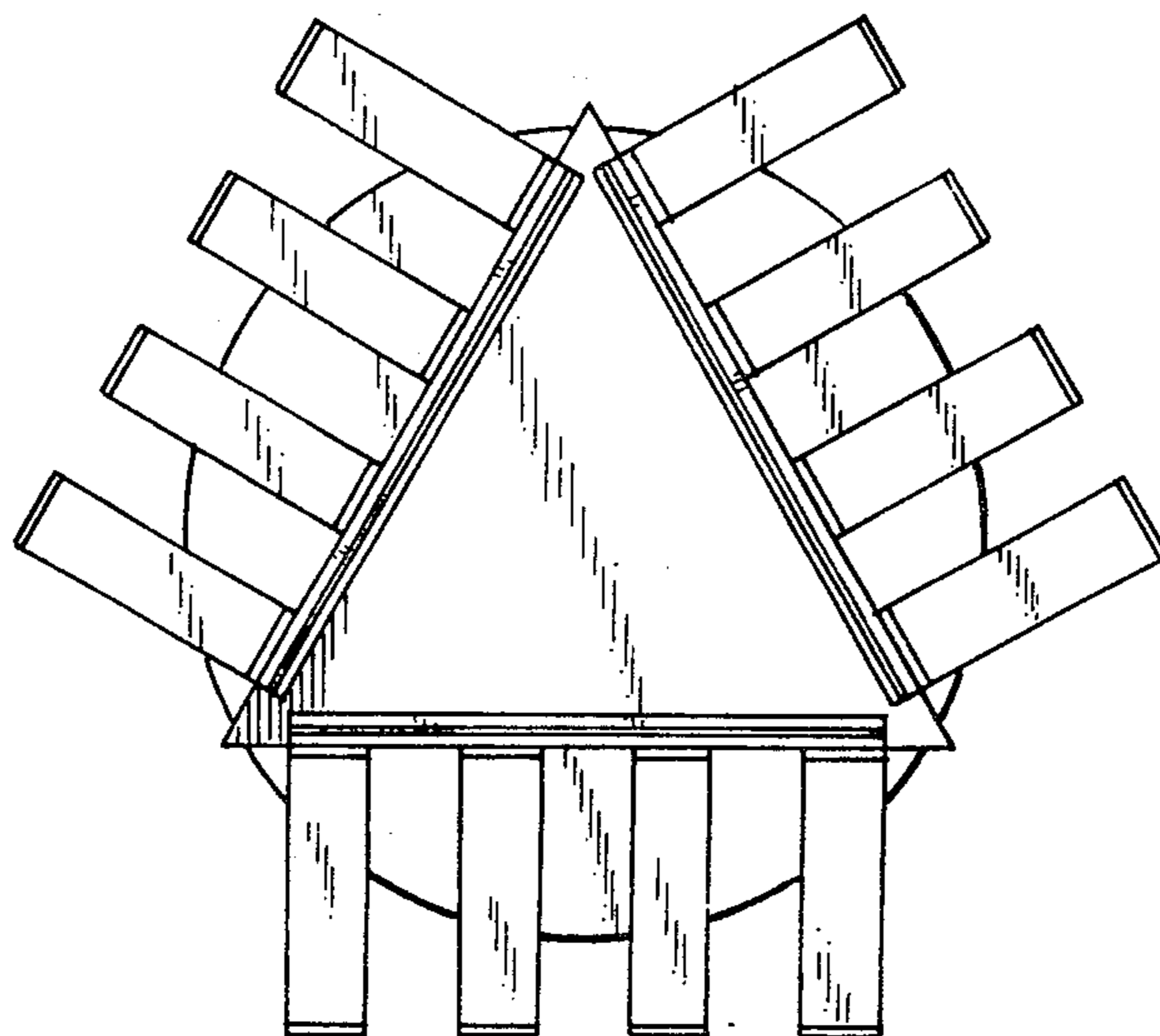


FIG-3

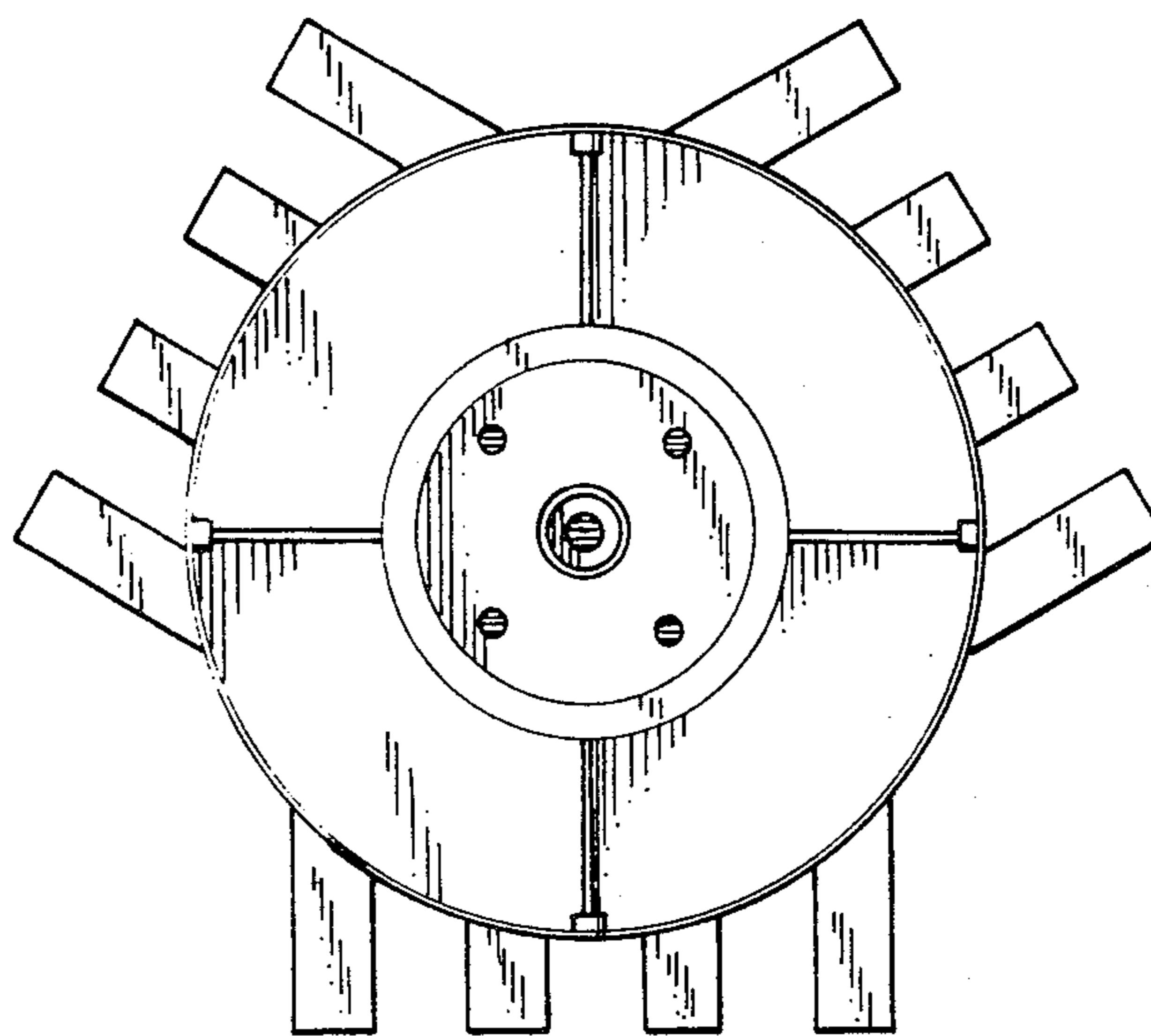


FIG-4