

[54] DOOR HUTCH

3,230,025 1/1966 Hamilton et al. 312/295 X

[75] Inventors: Merlin A. Brunner; David W. Robinson, both of New London; Harvey J. Draheim, Weyauwega, all of Wis.

[73] Assignee: Simmons Universal Corporation, New York, N.Y.

[**] Term: 14 Years

[21] Appl. No.: 502,798

[22] Filed: Jun. 9, 1983

[52] U.S. Cl. D6/432

[58] Field of Search D6/422, 559, 553, 555, D6/560, 561, 432, 438, 562, 563, 439, 567, 568, 569, 570, 571, 572, 573, 574; 312/245, 246, 324, 294

[56] References Cited

U.S. PATENT DOCUMENTS

D. 166,109	3/1952	Wadsworth	D6/555
D. 224,995	10/1972	Harrison	D6/561
D. 260,953	9/1981	Patterson	D6/561
D. 262,341	12/1981	Keller	D6/438
D. 272,496	2/1984	Kemp et al.	D6/427

OTHER PUBLICATIONS

"Main Event I" by Burlington, ©1979, p. 8; Door Hutch Item No. 535-211, top right on page. Pace Industries Inc., ©1981, p. 2; Linen Cabinet No. 501-187RP, top right on page.

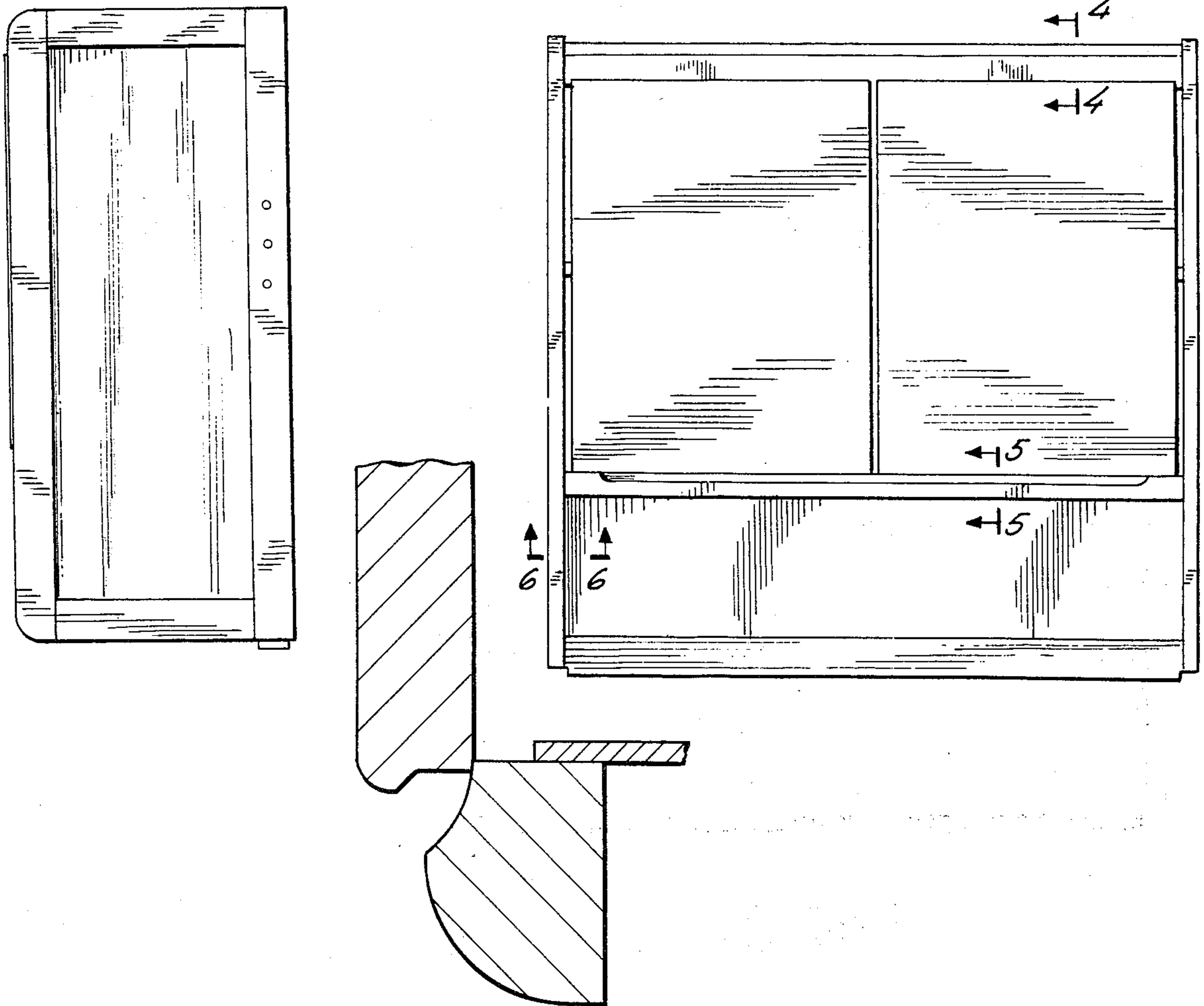
Primary Examiner—Carmen H. Vales
Attorney, Agent, or Firm—A. Thomas Kammer

[57] CLAIM

The ornamental design for door hutch, as shown and described.

DESCRIPTION

FIG. 1 is a front elevational view of a door hutch showing our new design;
FIG. 2 is a right side elevational view, the left side being a mirror image thereof;
FIG. 3 is a top plan view thereof;
FIG. 4 is an enlarged fragmentary sectional view taken along line 4—4 of FIG. 1;
FIG. 5 is an enlarged fragmentary sectional view taken along line 5—5 of FIG. 1; and
FIG. 6 is an enlarged fragmentary sectional view taken along line 6—6 of FIG. 1.



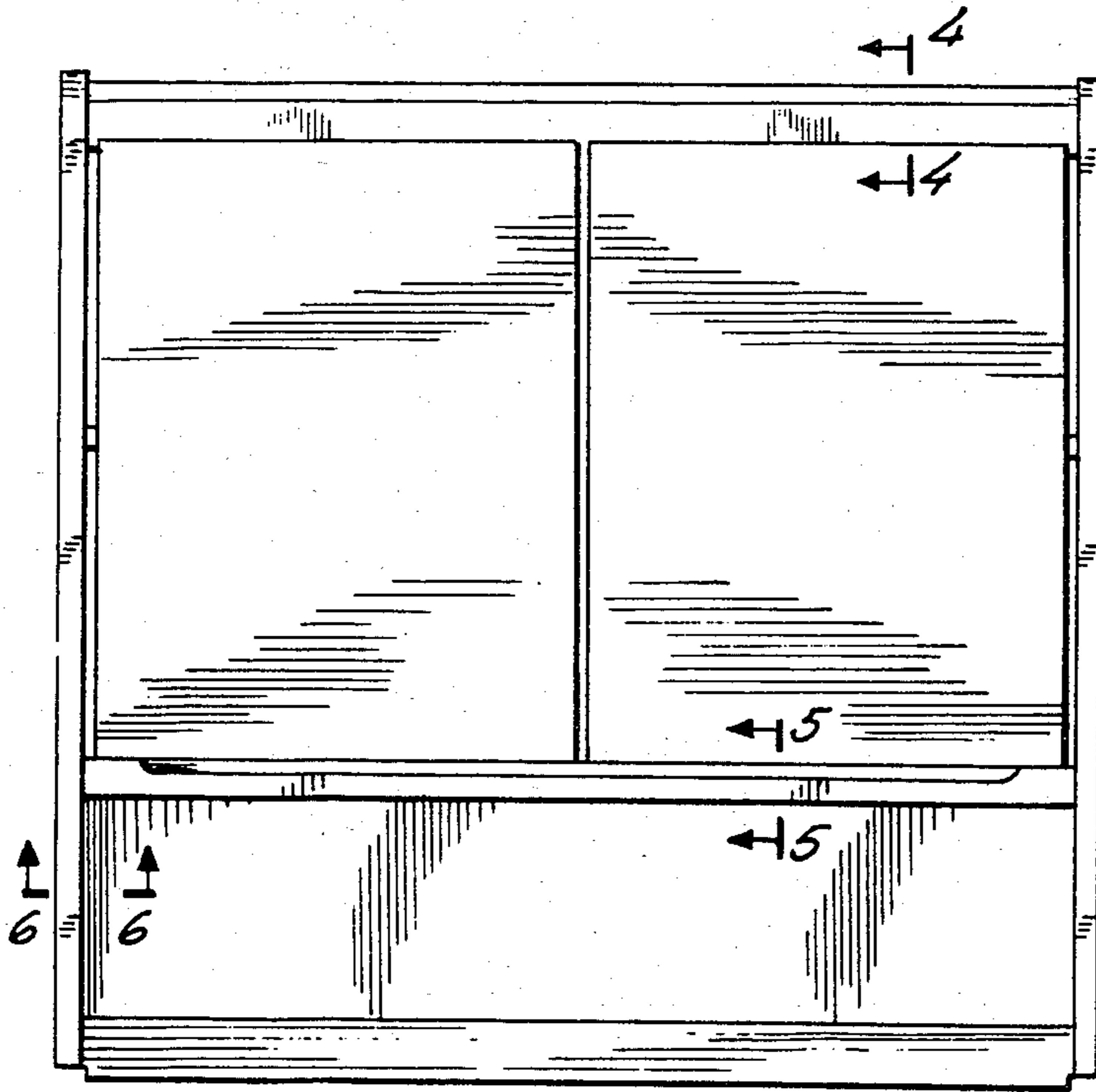


FIG. 1

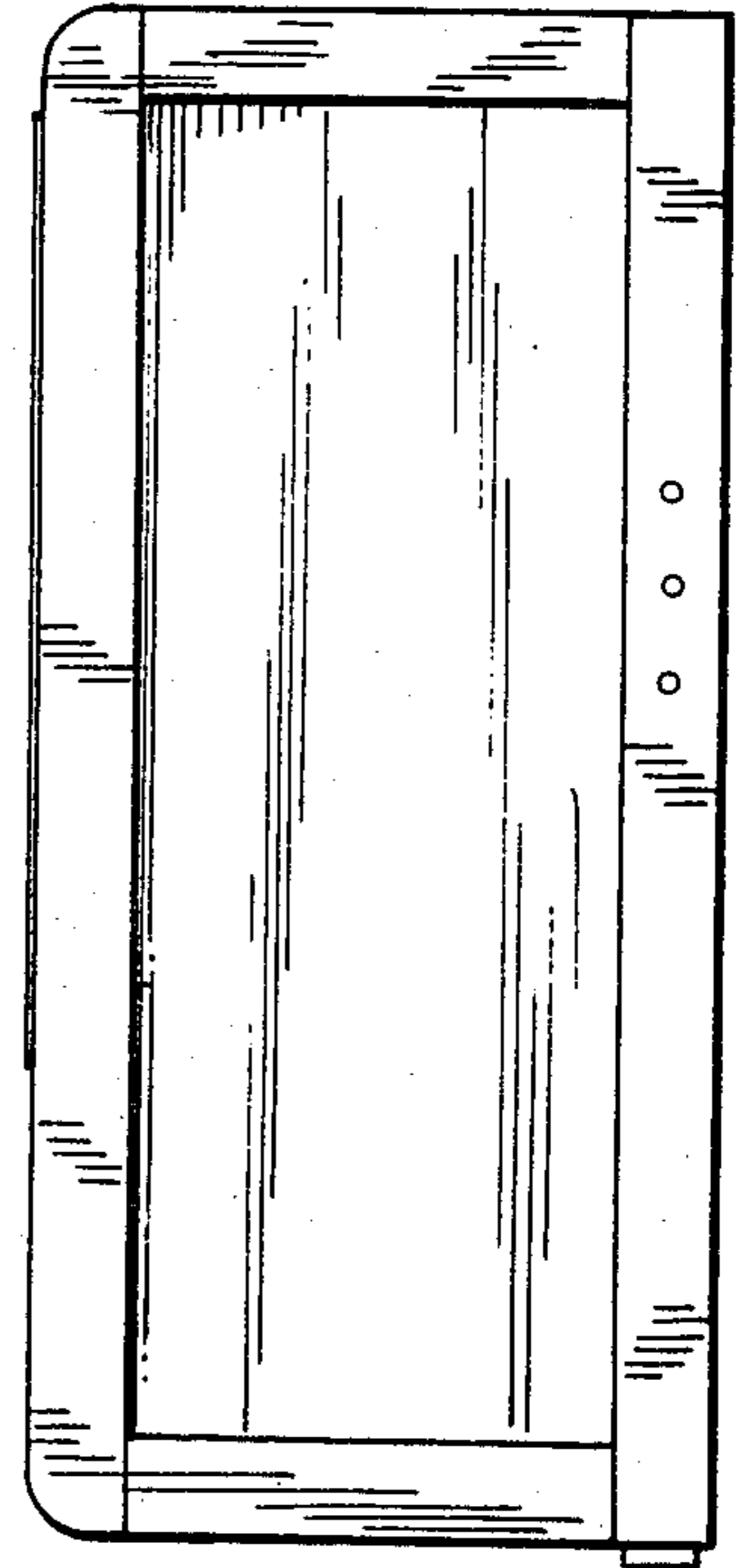


FIG. 2

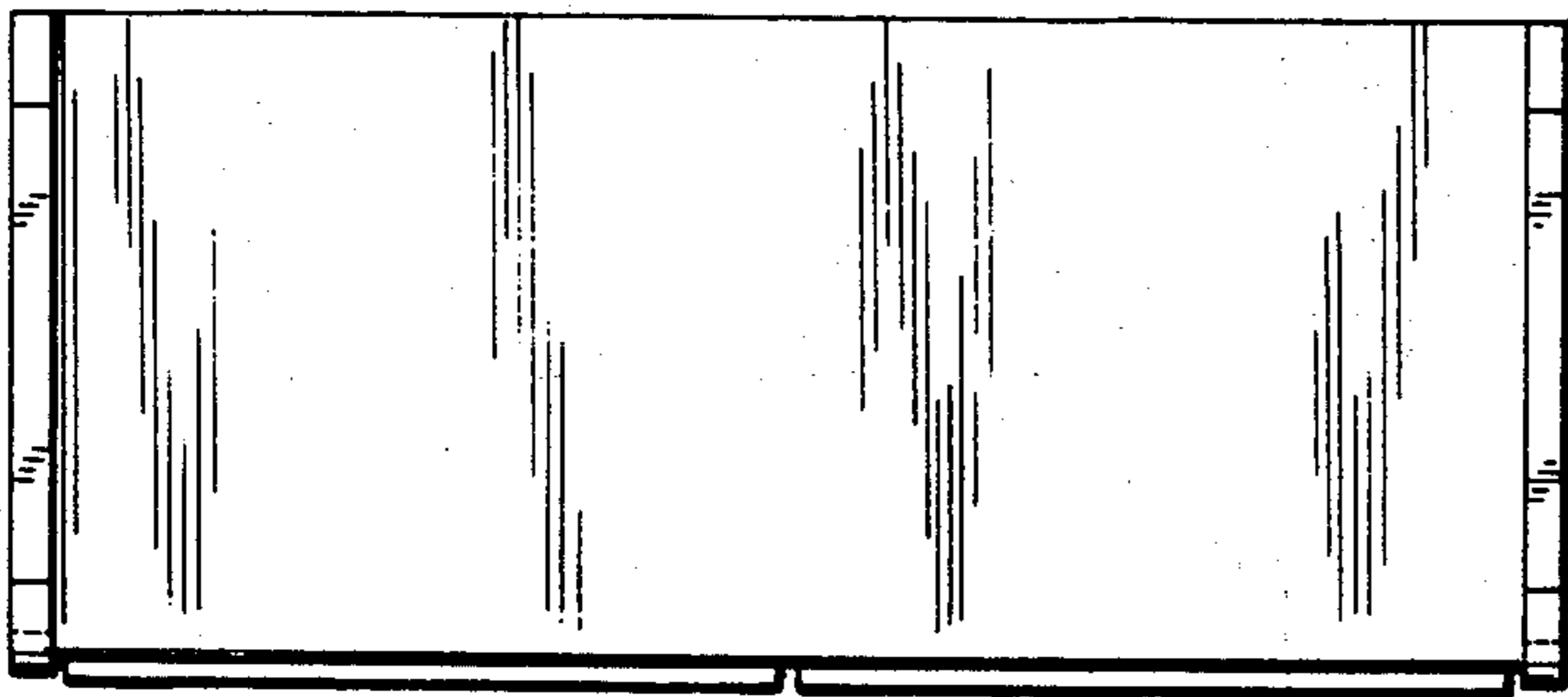


FIG. 3

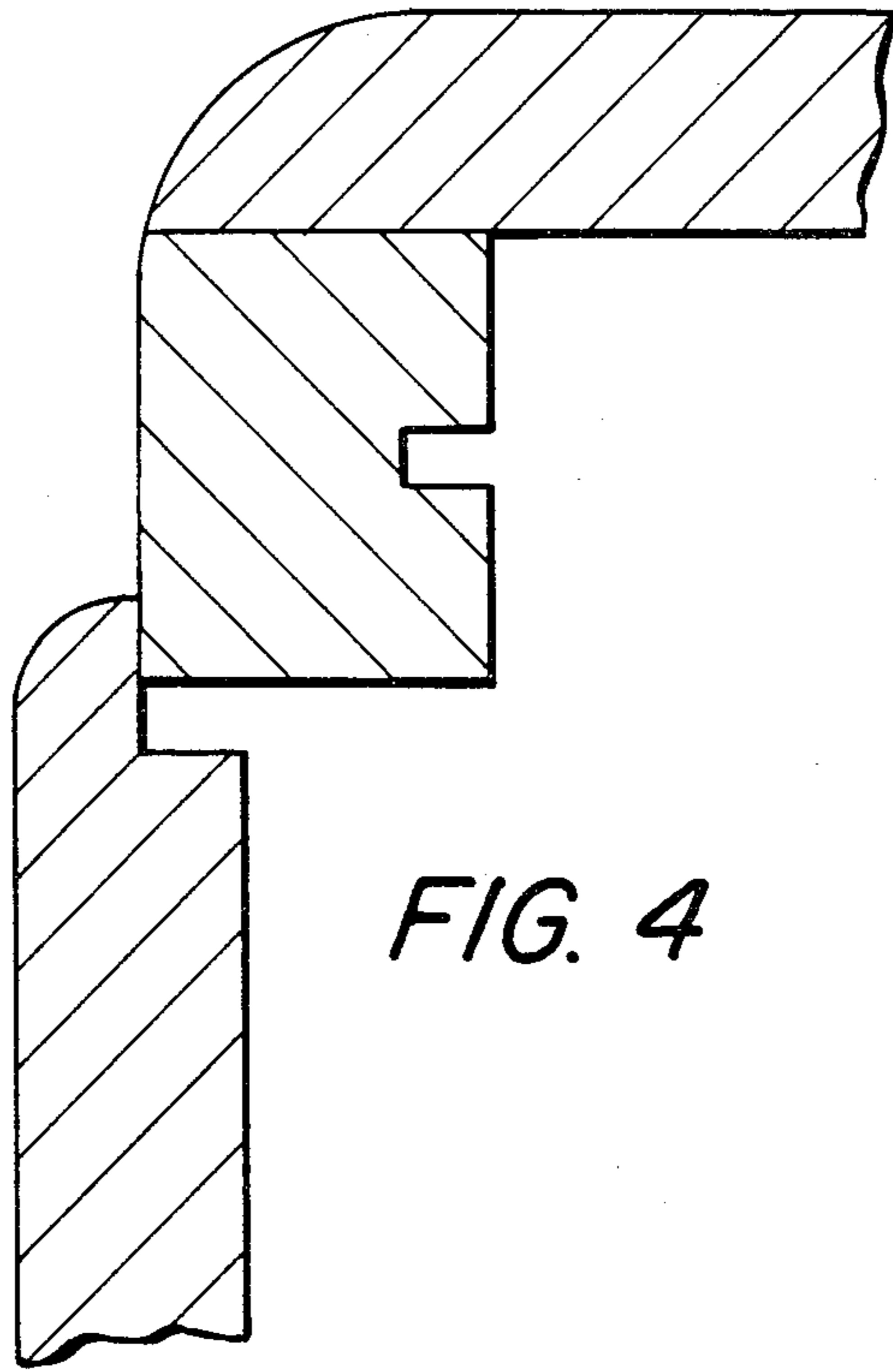


FIG. 4

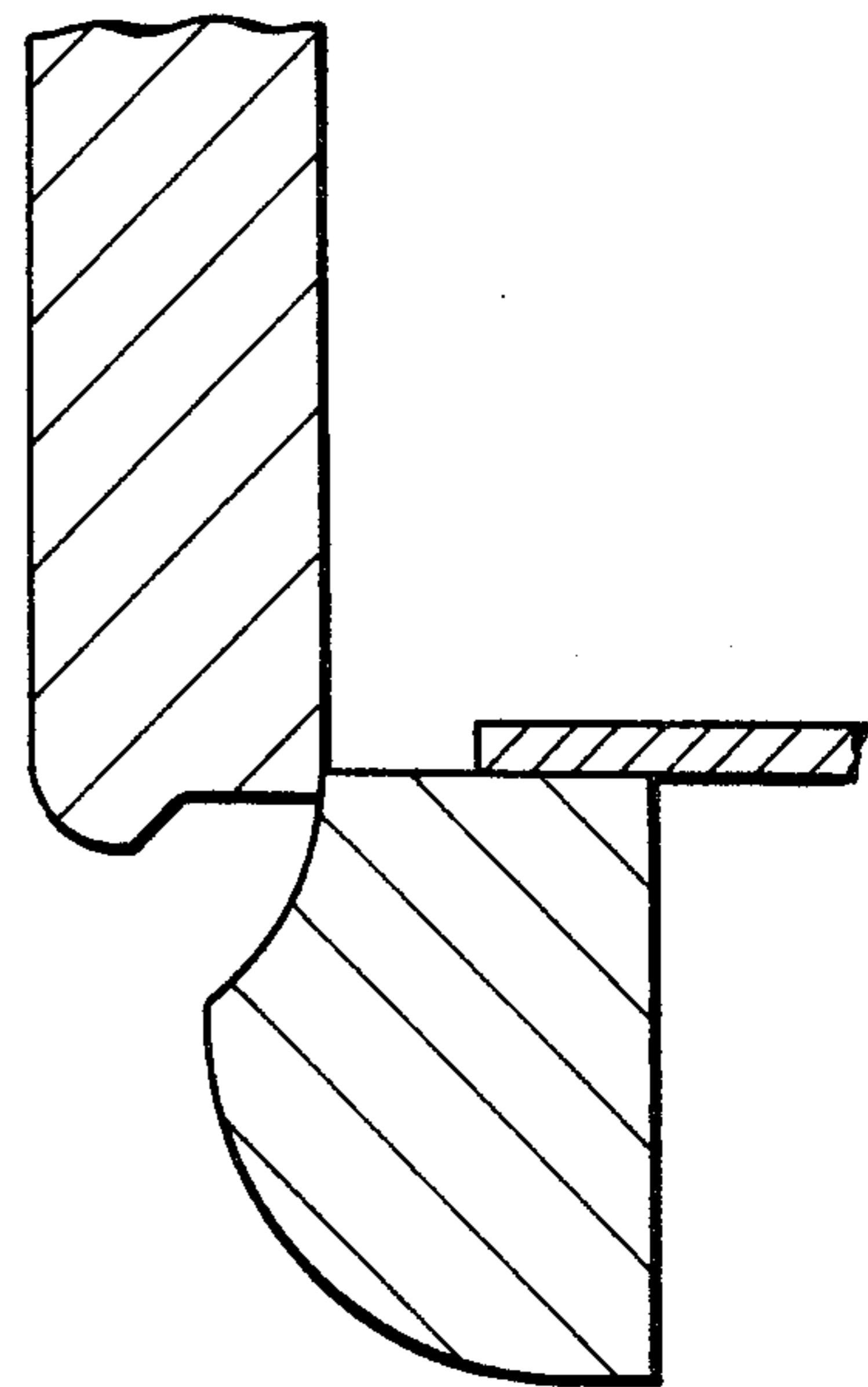


FIG. 5

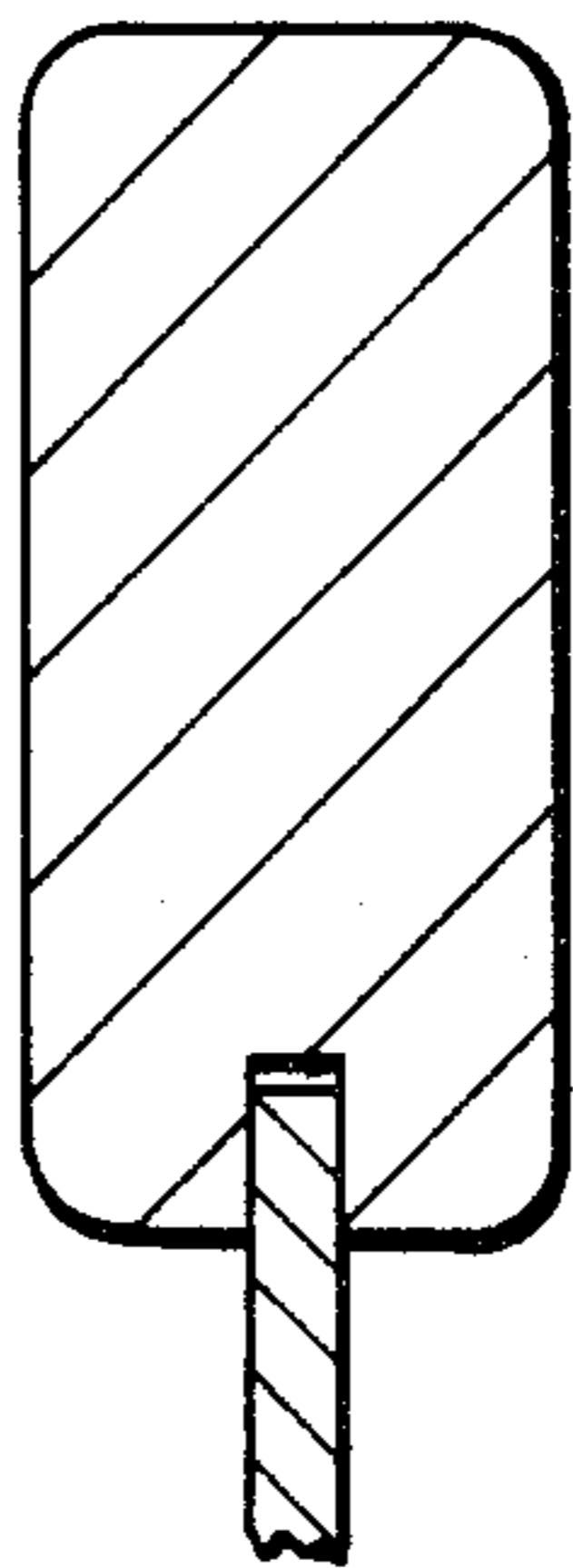


FIG. 6