

[54] CHAIR

[75] Inventors: Emilio Ambasz, New York, N.Y.; Giancarlo Piretti, Bologna, Italy

[73] Assignee: Center for Design Research and Development N.V., Netherlands Antilles

[**] Term: 14 Years

[21] Appl. No.: 485,268

[22] Filed: Apr. 15, 1983

[30] Foreign Application Priority Data

Oct 21, 1982 [DE] Fed. Rep. of GermanyURA1193/82

[52] U.S. Cl. D6/380; D6/366; D6/375

[58] Field of Search D6/334, 364, 365, 366, D6/374, 375; 297/297, 300, 310, 452

[56] References Cited

U.S. PATENT DOCUMENTS

- D. 249,417 9/1978 Ambasz D6/374
- D. 259,688 6/1981 Ambasz D6/375
- 3,695,693 10/1972 Acton et al. D6/371 X

OTHER PUBLICATIONS

Interiors, Jul. 1972, p. 48, "Flottoto" chair by American Seating.

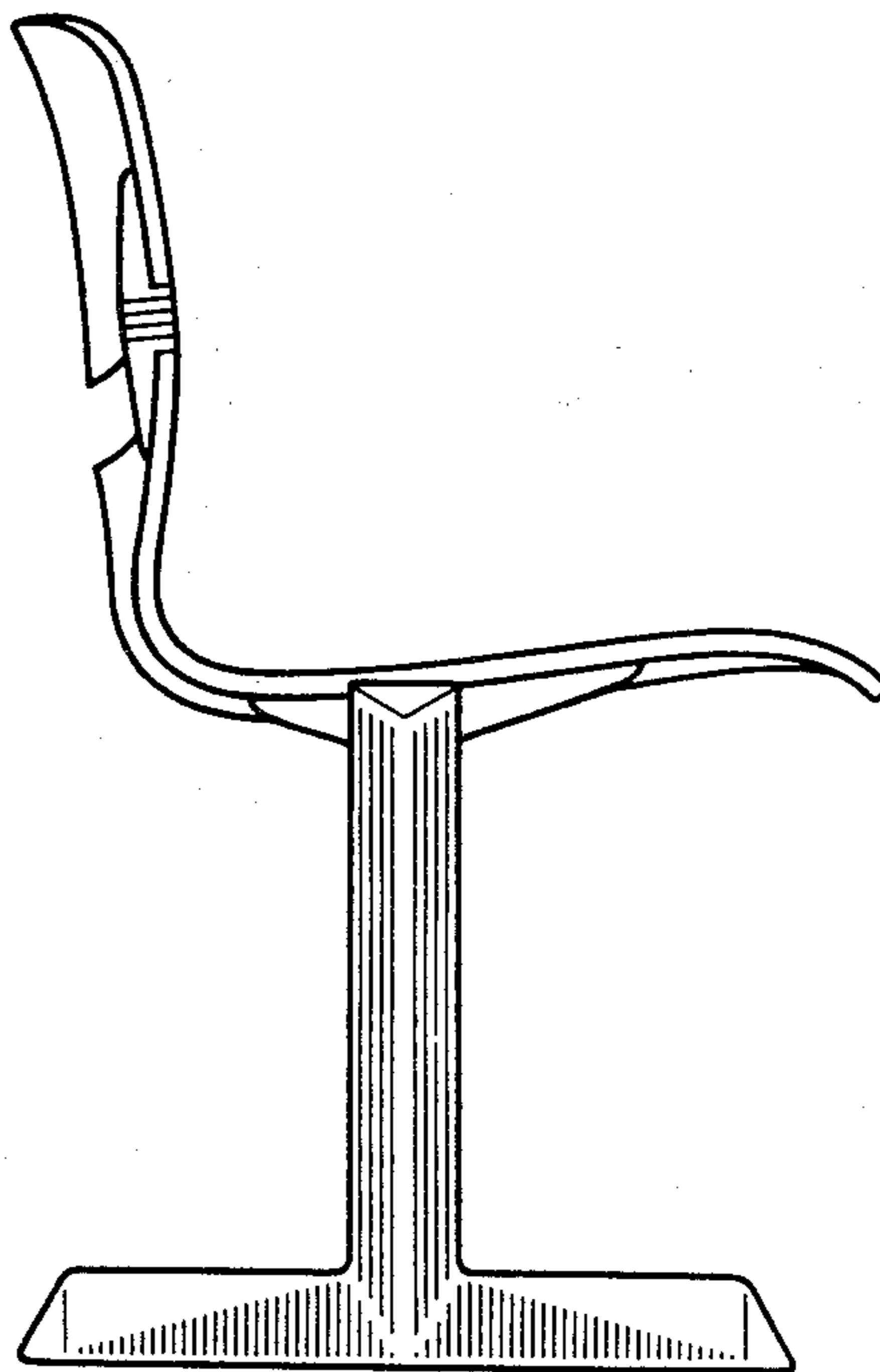
Primary Examiner—Bruce W. Dunkins
Attorney, Agent, or Firm—Brumbaugh, Graves, Donohue & Raymond

[57] CLAIM

The ornamental design for a chair, as shown and described.

DESCRIPTION

FIG. 1 is a front elevational view of a first embodiment of a chair incorporating our new design;
 FIG. 2 is a side elevational view of the first embodiment;
 FIG. 3 is a top view of the first embodiment;
 FIG. 4 is a rear elevational view of the first embodiment;
 FIG. 5 is a bottom view of the first embodiment;
 FIG. 6 is a front elevational view of a second embodiment of a chair incorporating our new design;
 FIG. 7 is a side elevational view of the second embodiment;
 FIG. 8 is a top view of the second embodiment;
 FIG. 9 is a rear elevational view of the second embodiment;
 FIG. 10 is a bottom view of the second embodiment;
 FIG. 11 is a front elevational view of a third embodiment of a chair incorporating our new design;
 FIG. 12 is a side elevational view of the second embodiment;
 FIG. 13 is a top view of the third embodiment;
 FIG. 14 is a rear elevational view of the third embodiment;
 FIG. 15 is a bottom view of the third embodiment;
 FIG. 16 is a front elevational view of a fourth embodiment of a chair incorporating our new design;
 FIG. 17 is a side elevational view of the fourth embodiment;
 FIG. 18 is a top view of the fourth embodiment;
 FIG. 19 is a rear elevational view of the fourth embodiment; and
 FIG. 20 is a bottom view of the fourth embodiment.



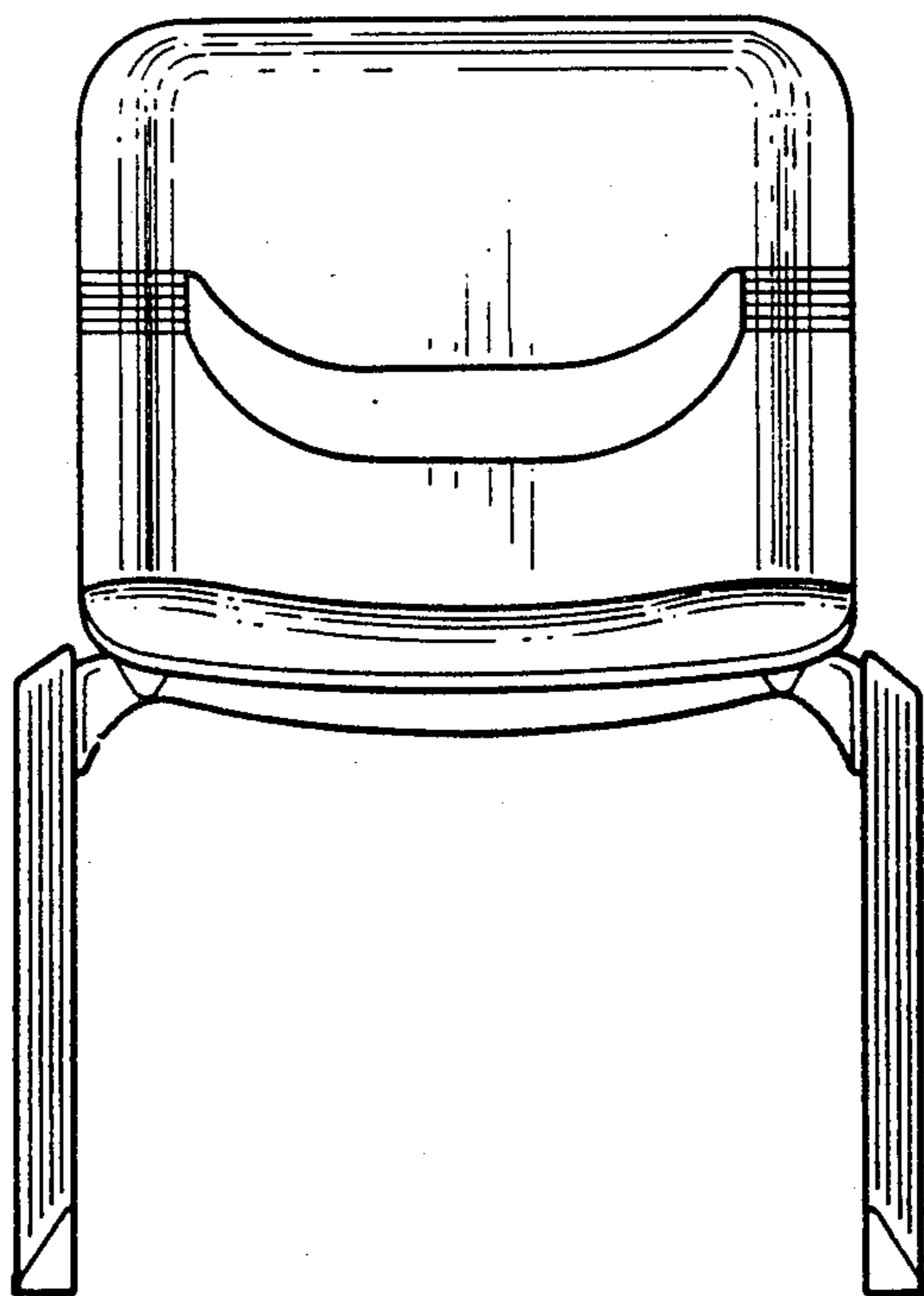


FIG. 1

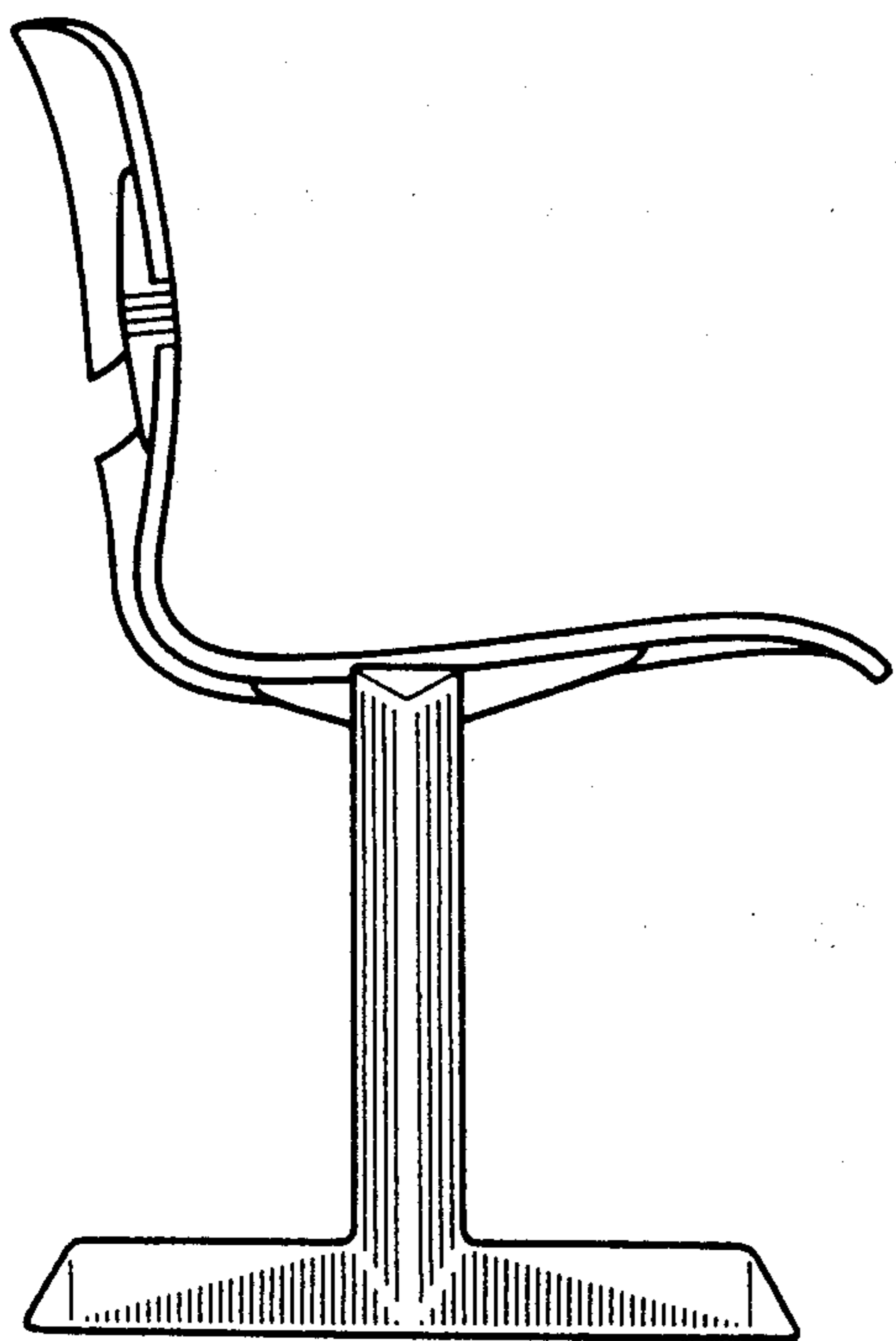


FIG. 2

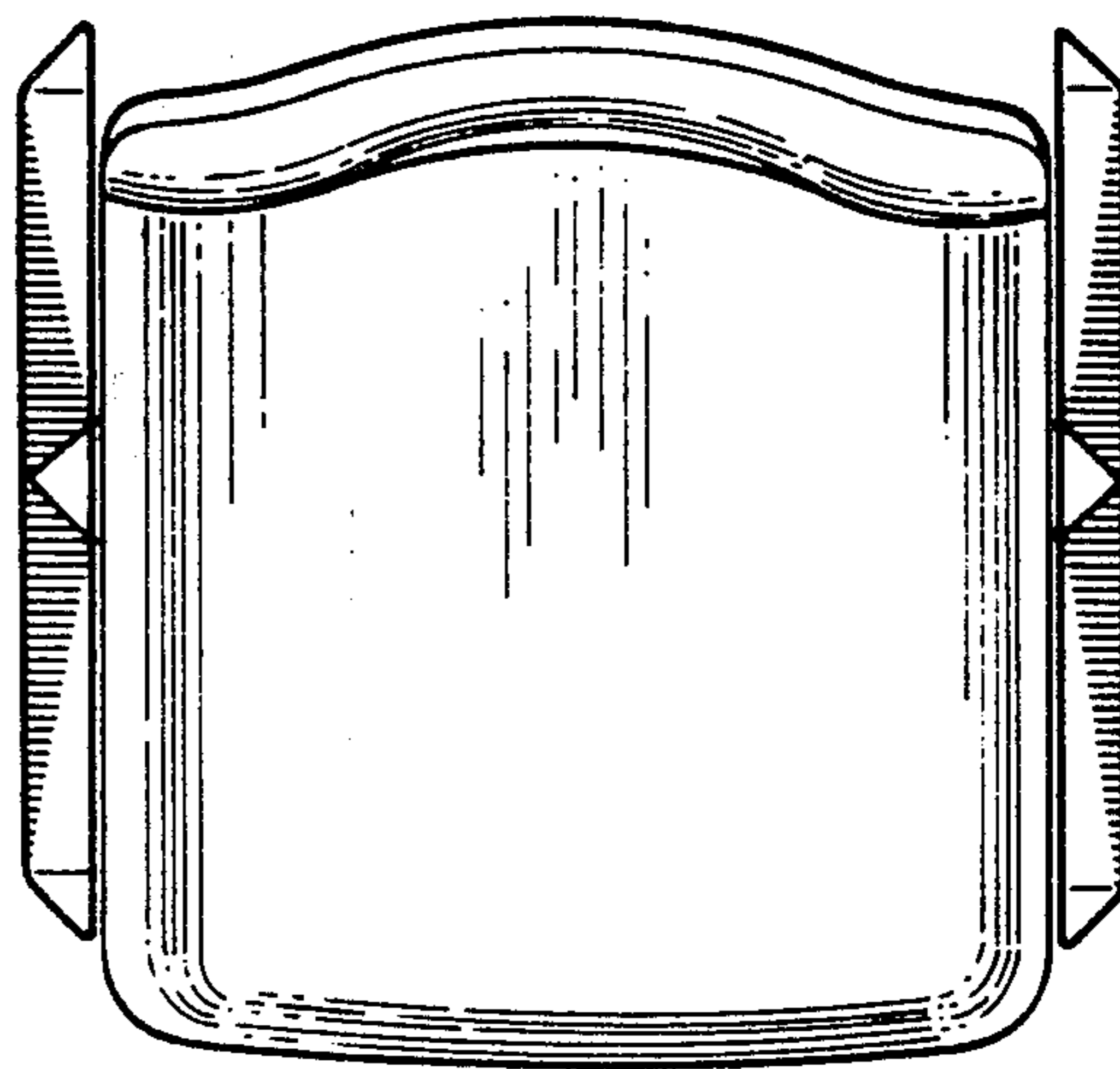


FIG. 3

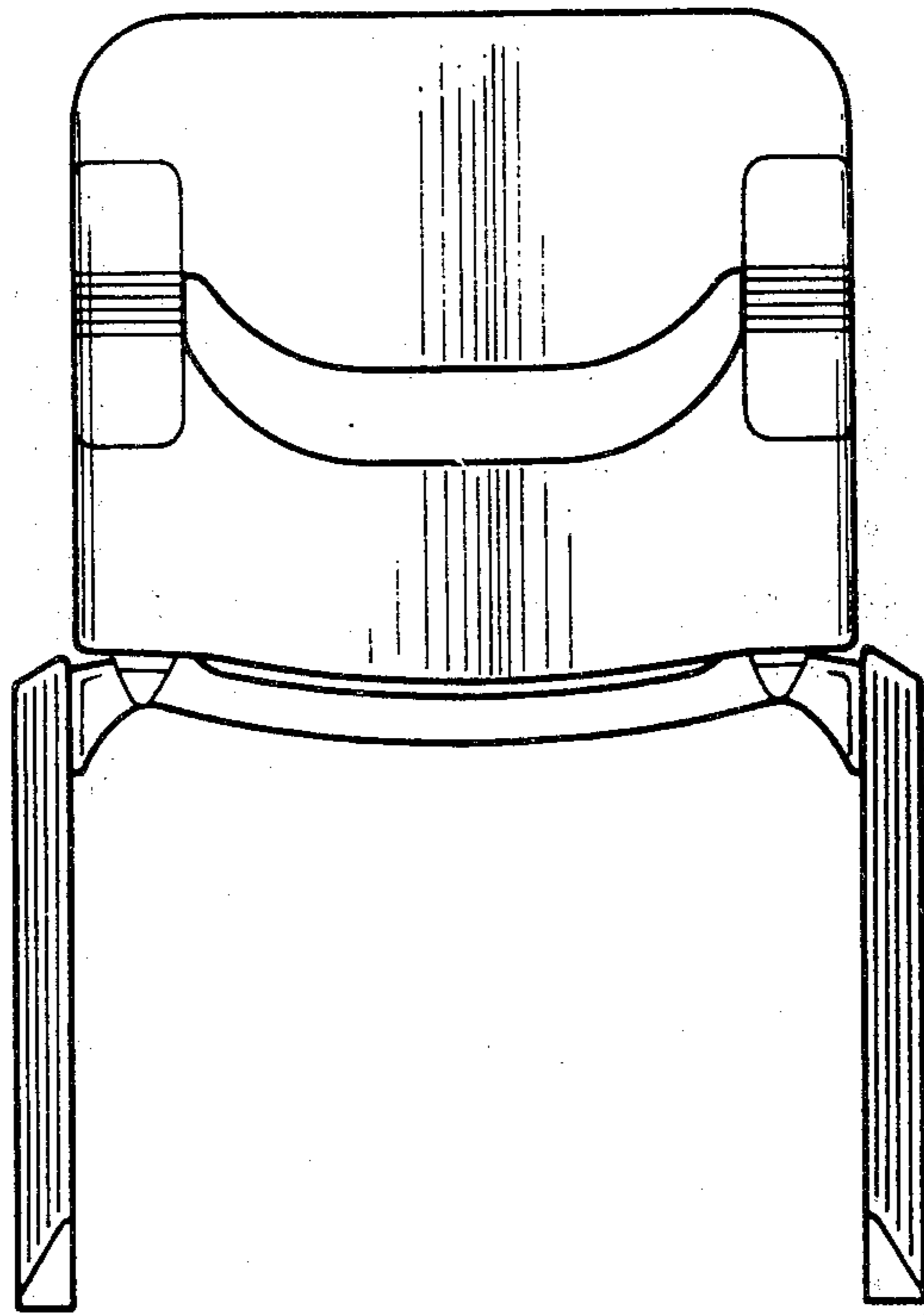


FIG. 4

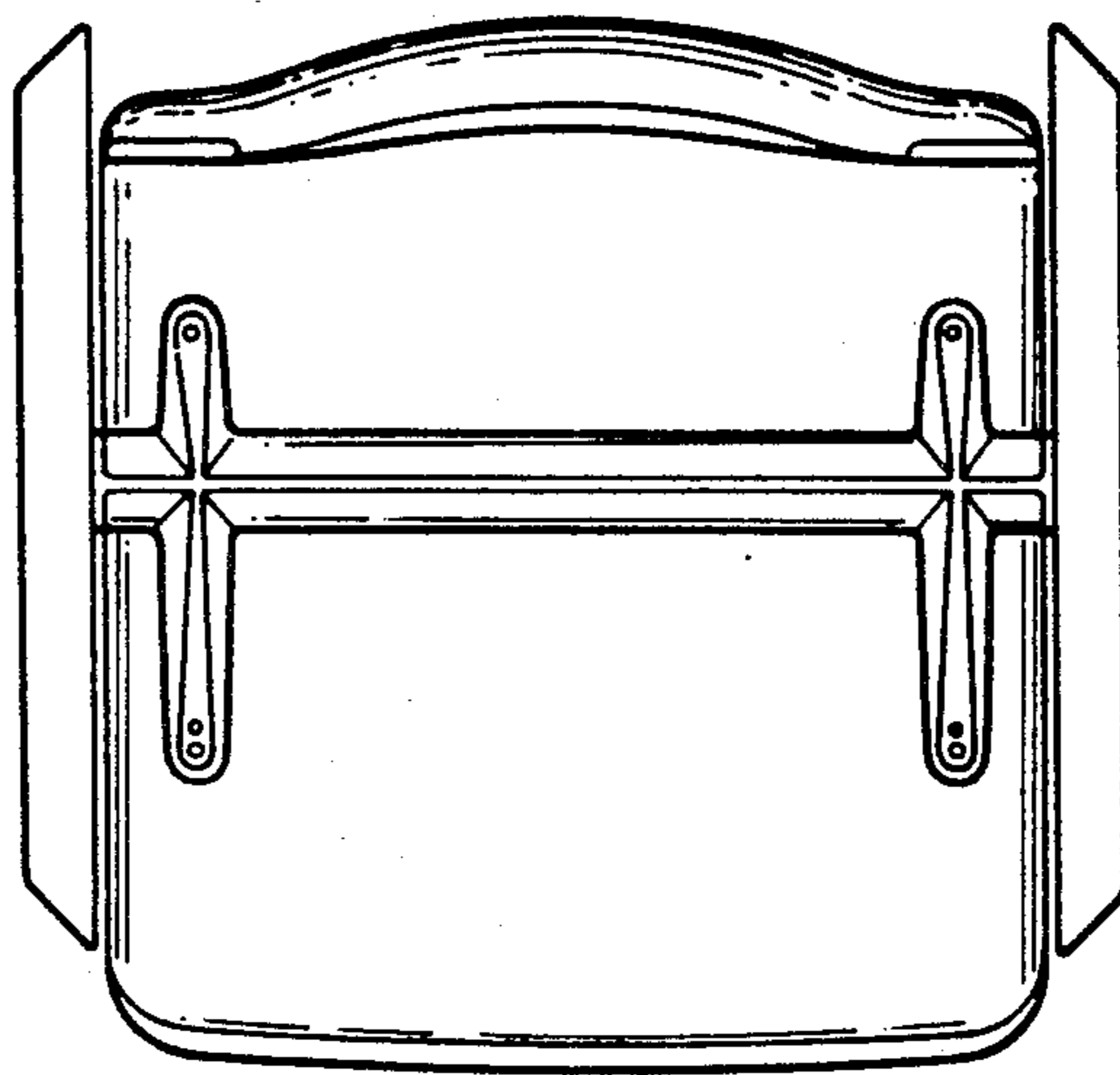


FIG. 5

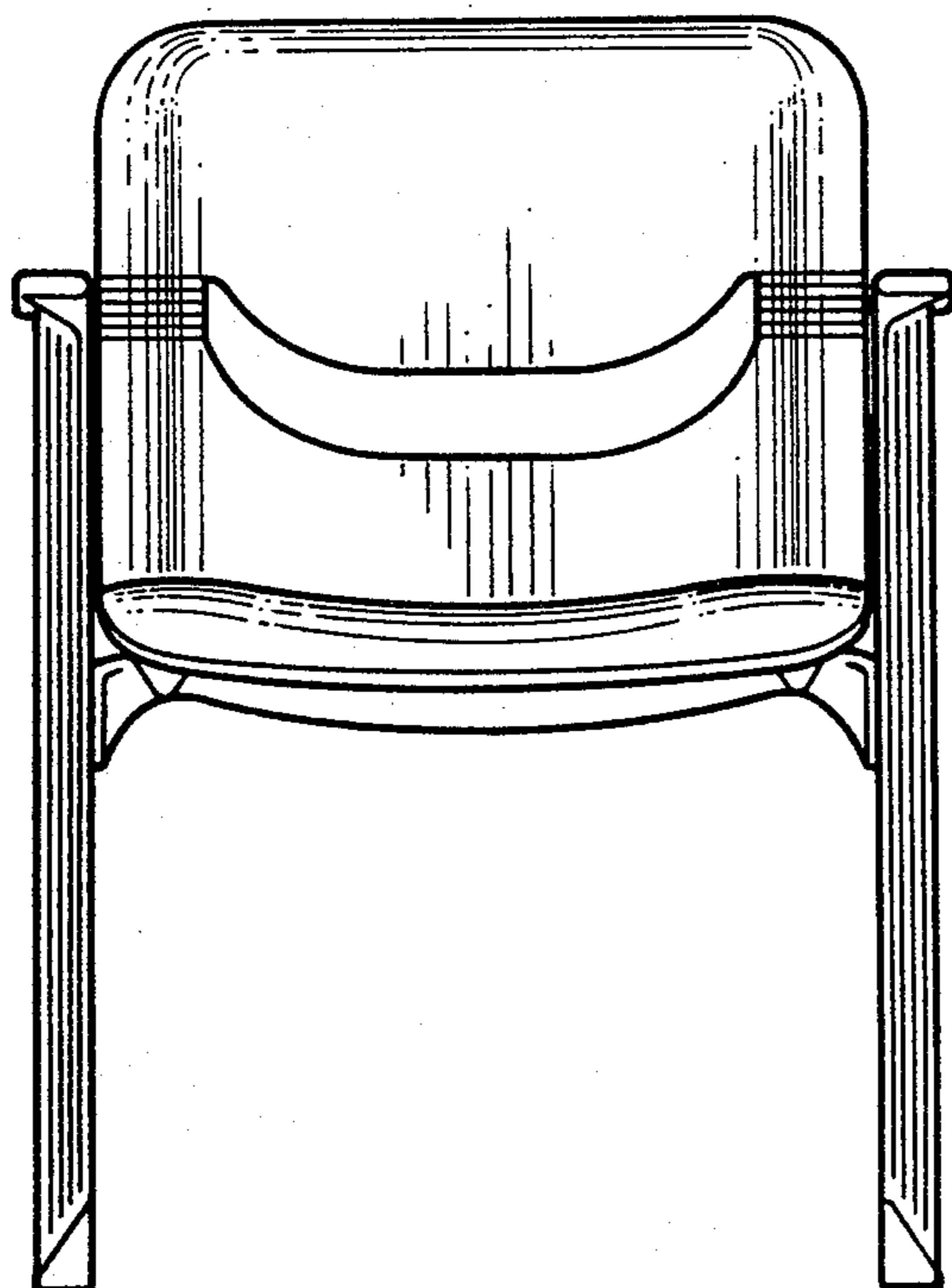


FIG. 6

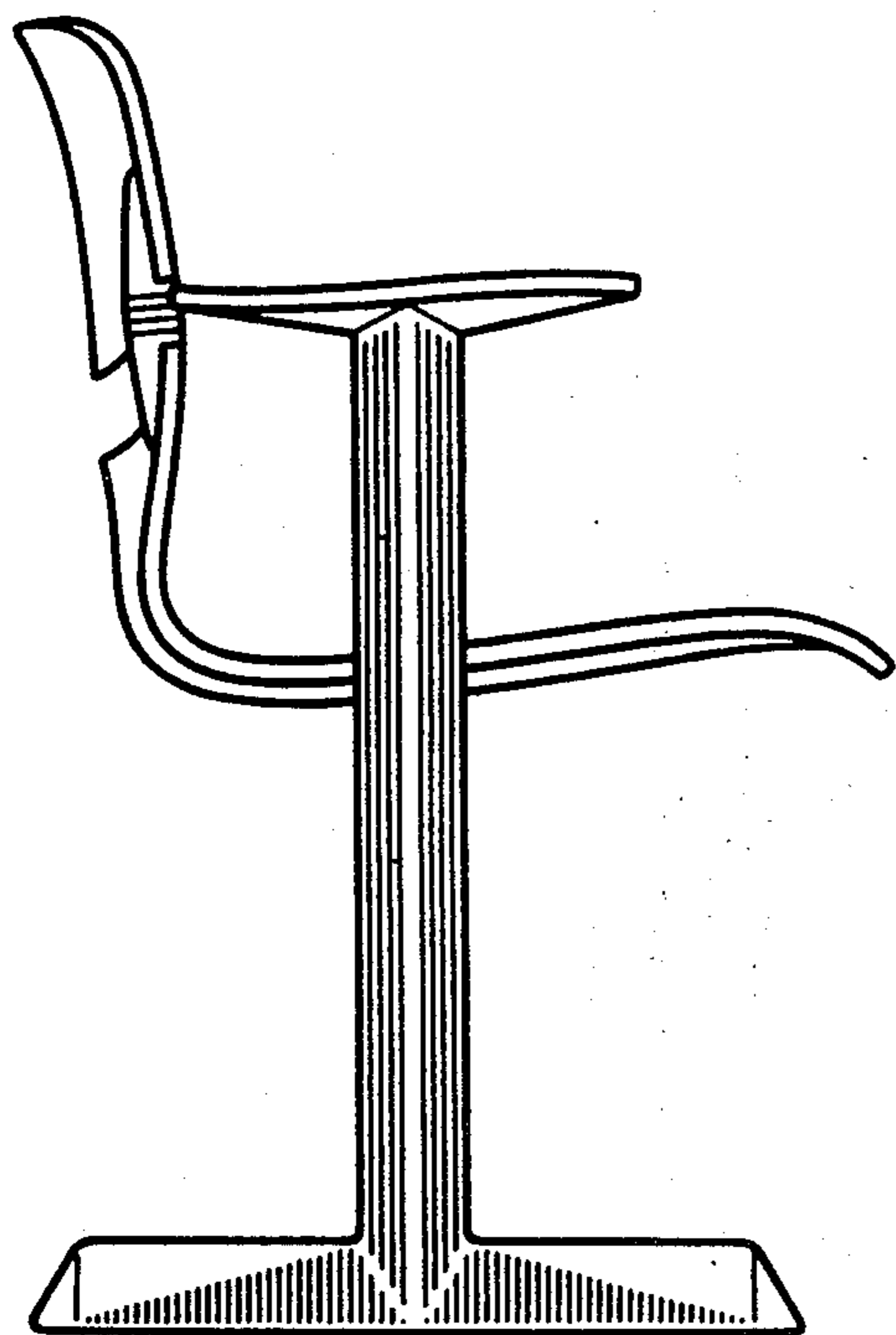


FIG. 7

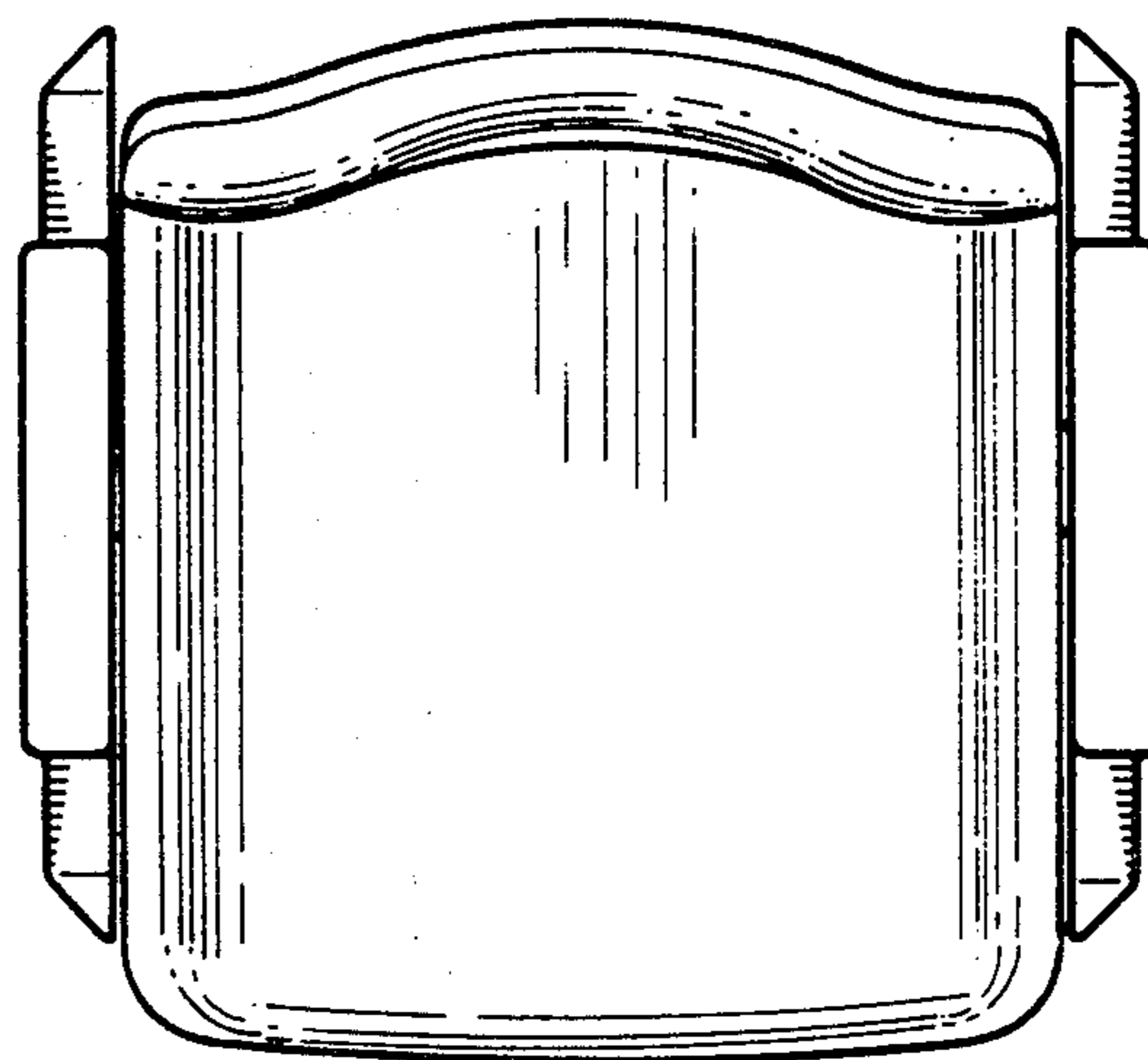


FIG. 8

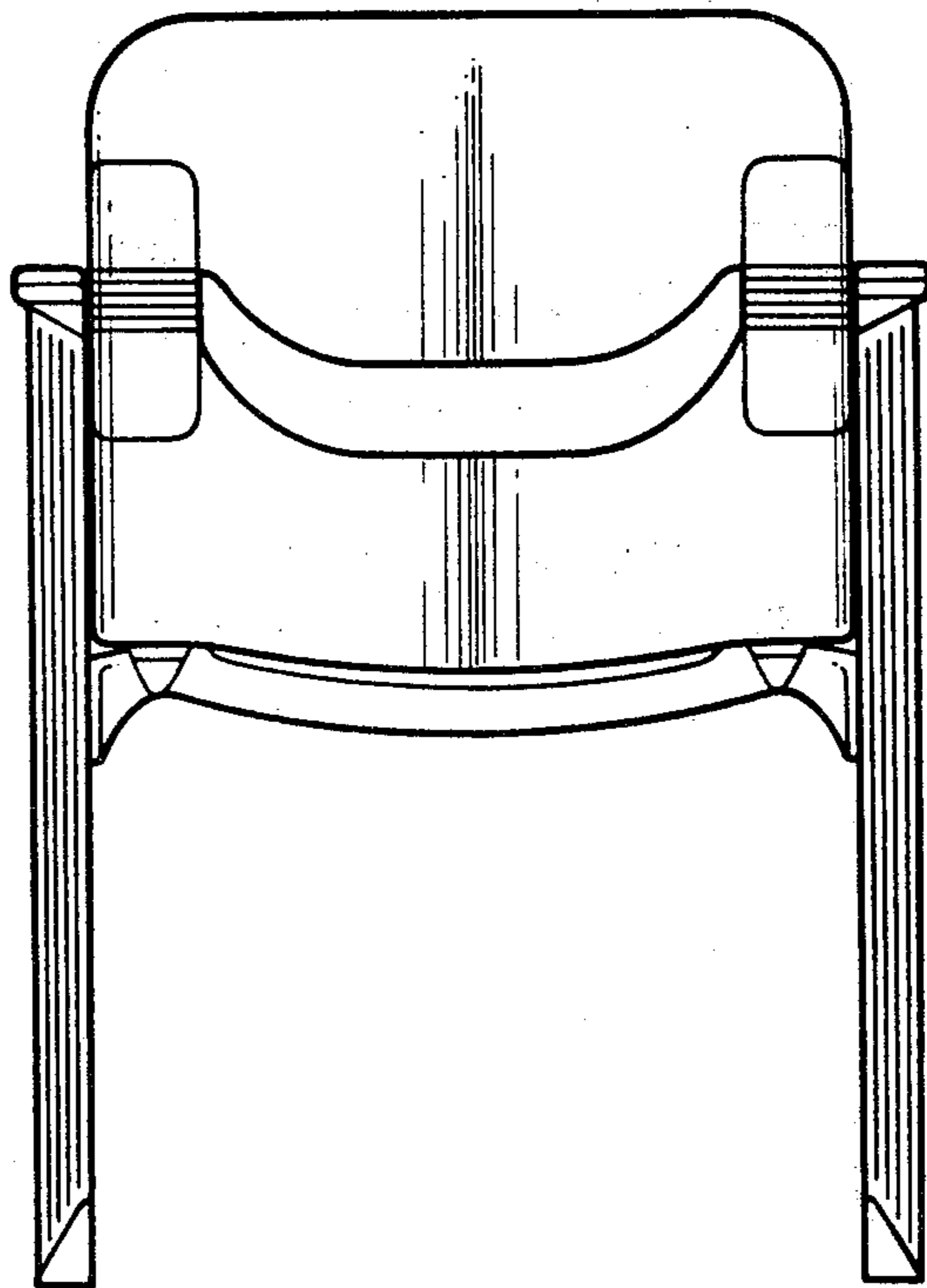


FIG. 9

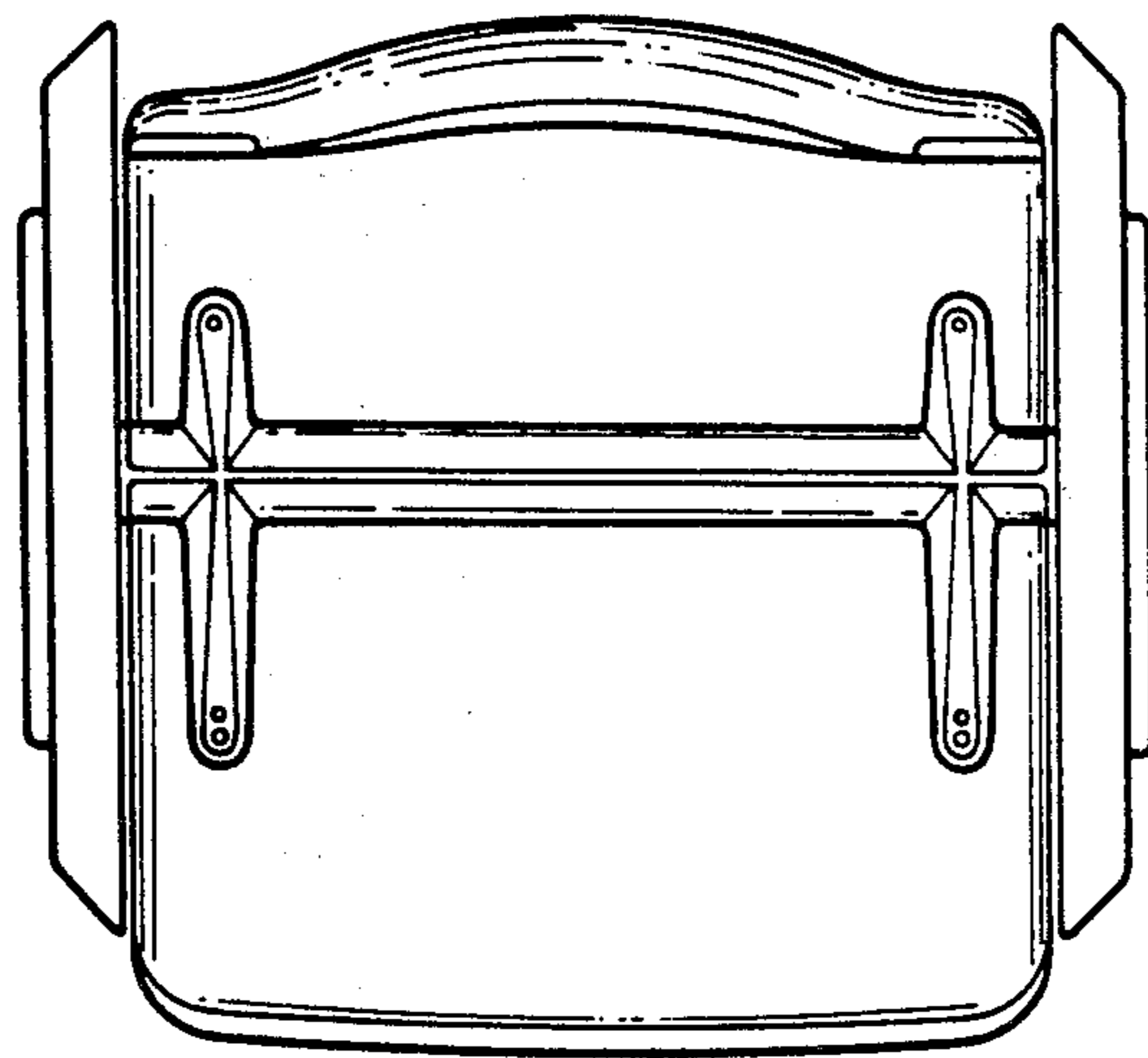


FIG. 10

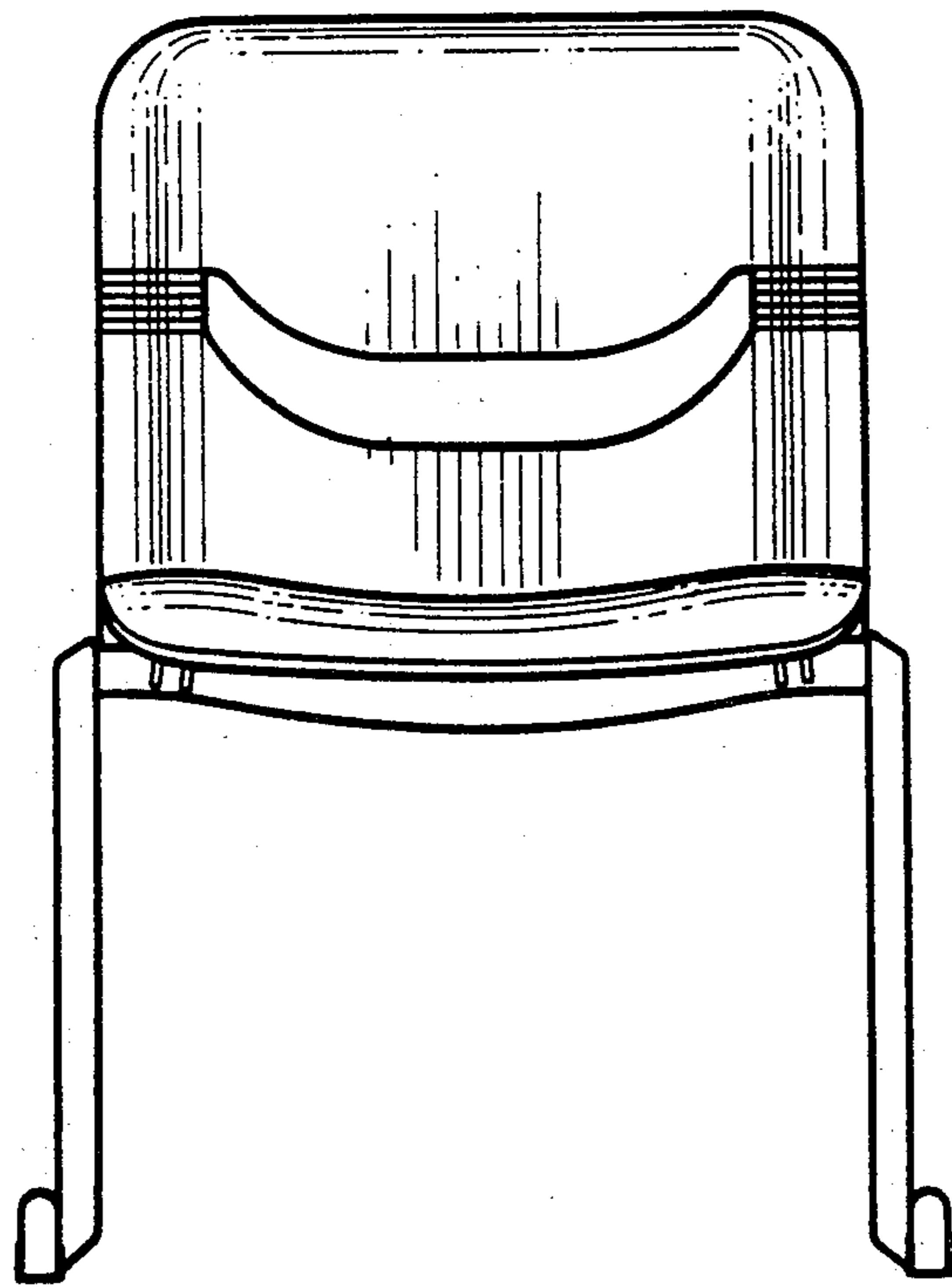


FIG. 11

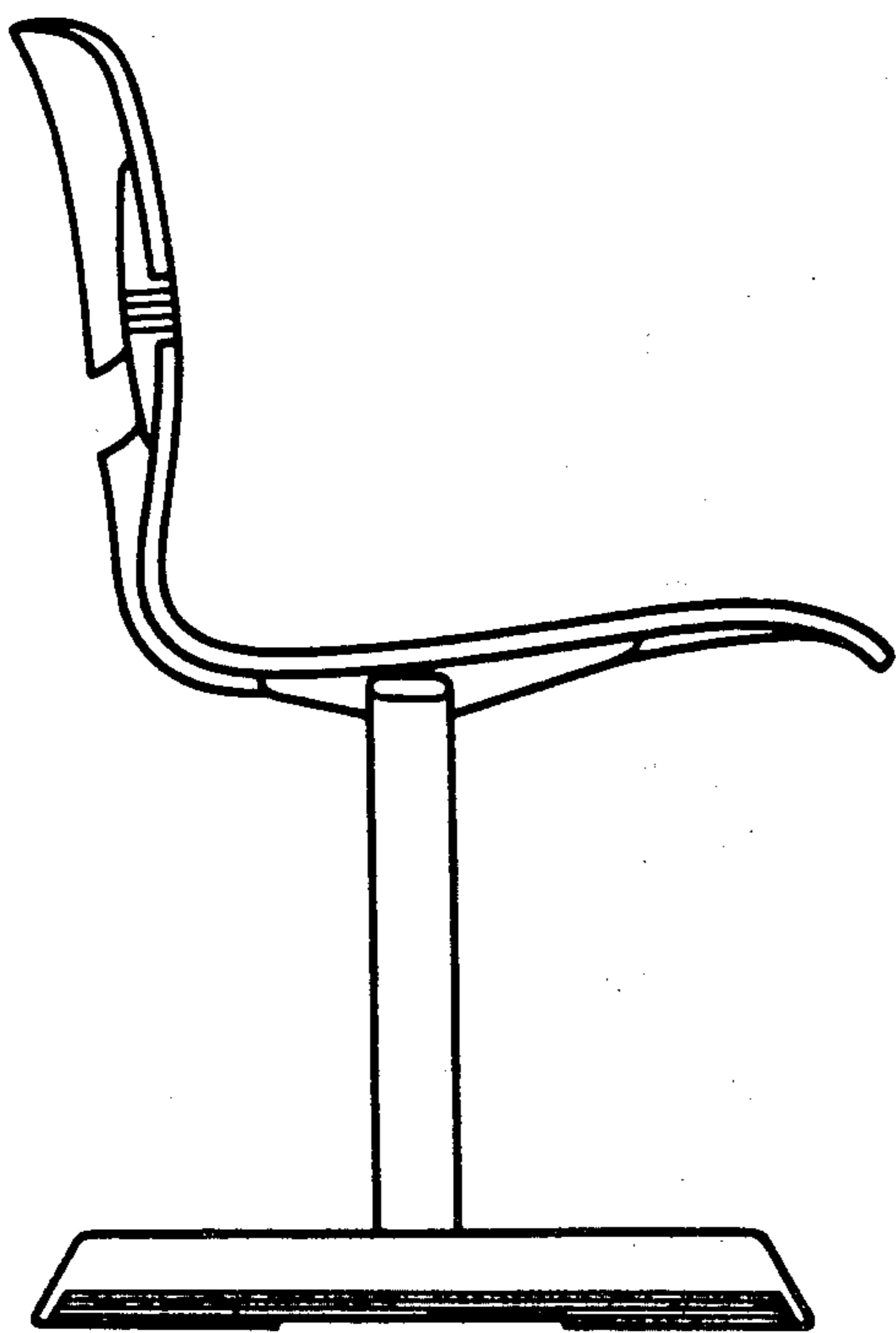


FIG. 12

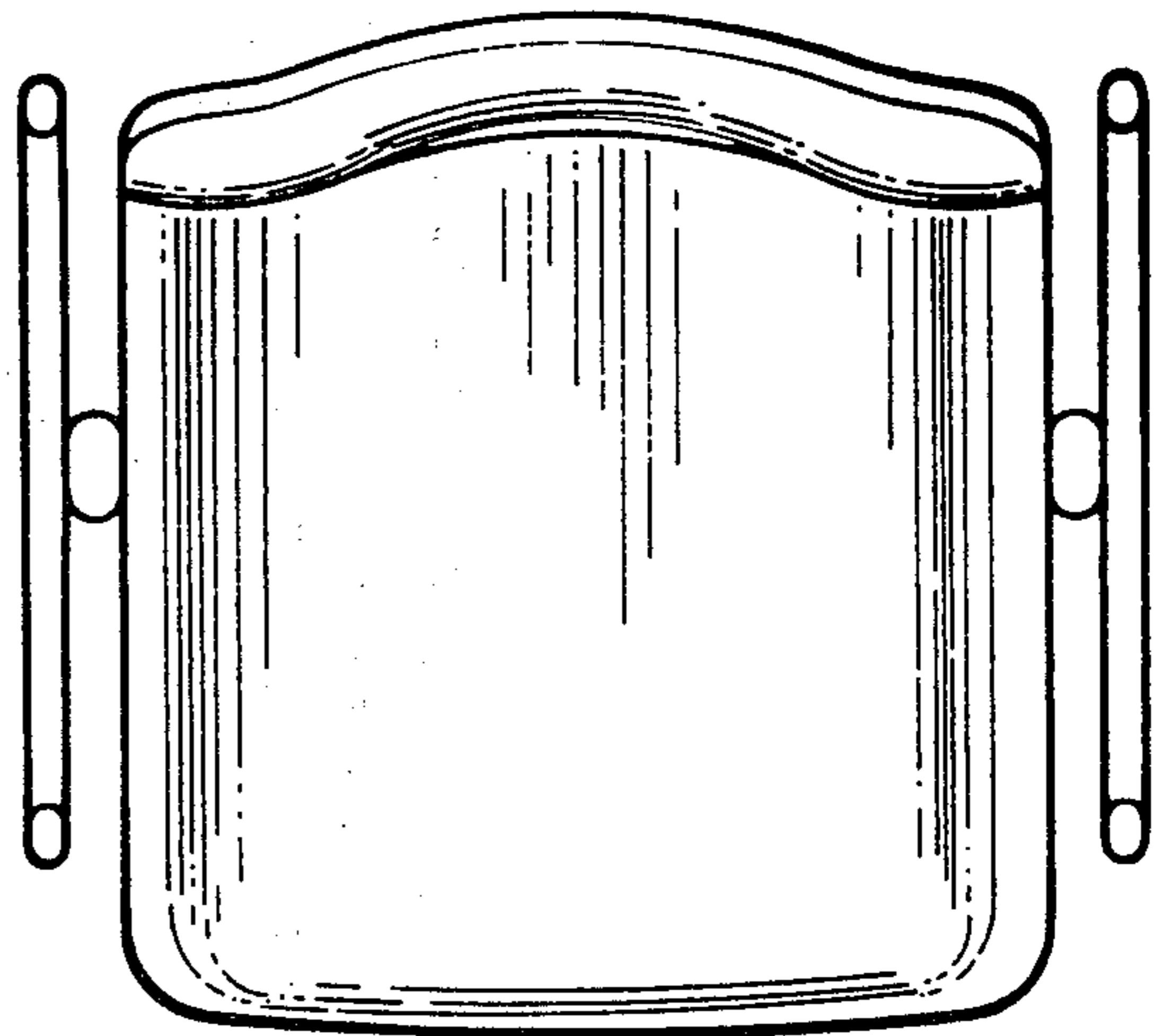


FIG. 13

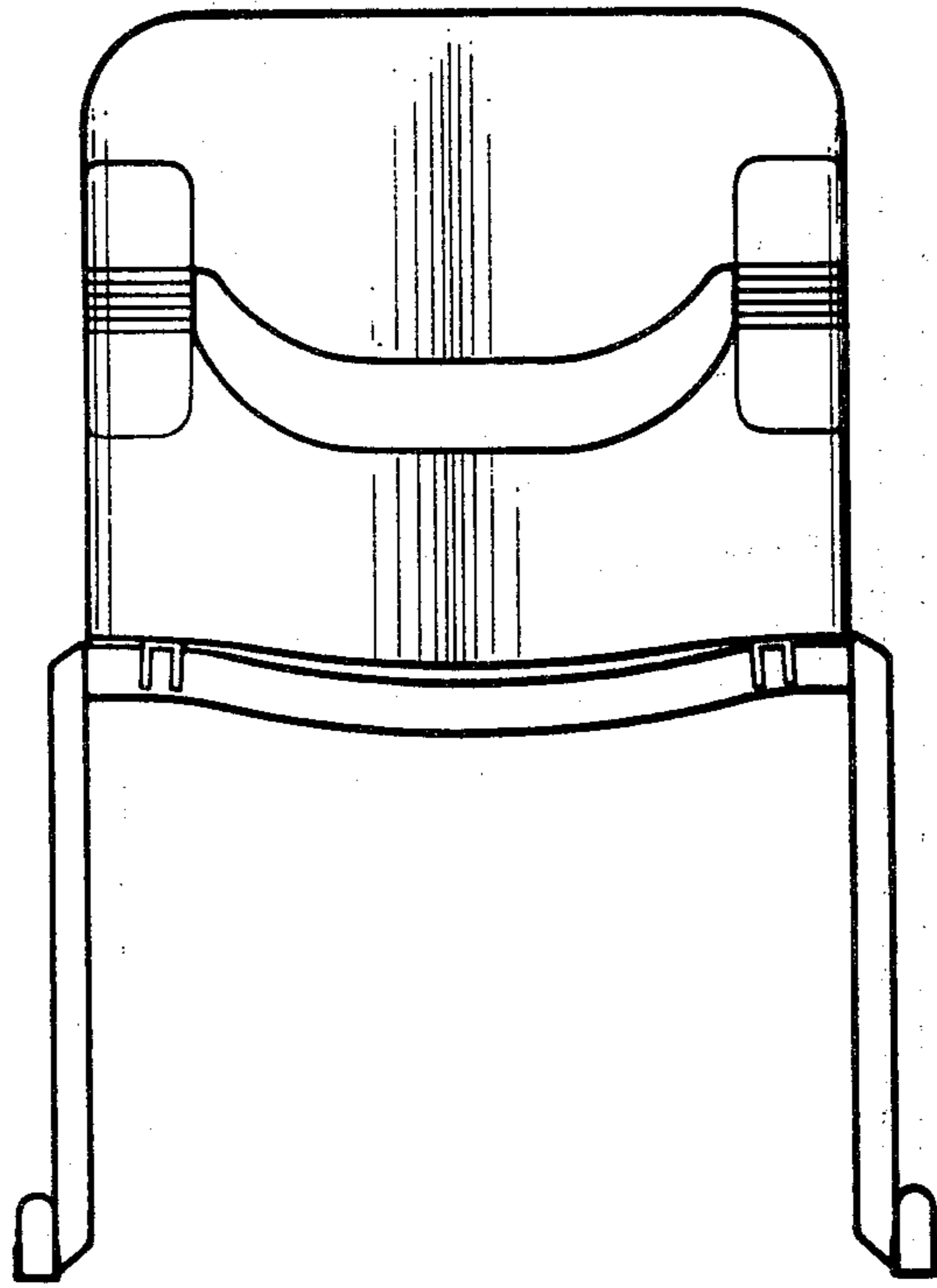


FIG. 14

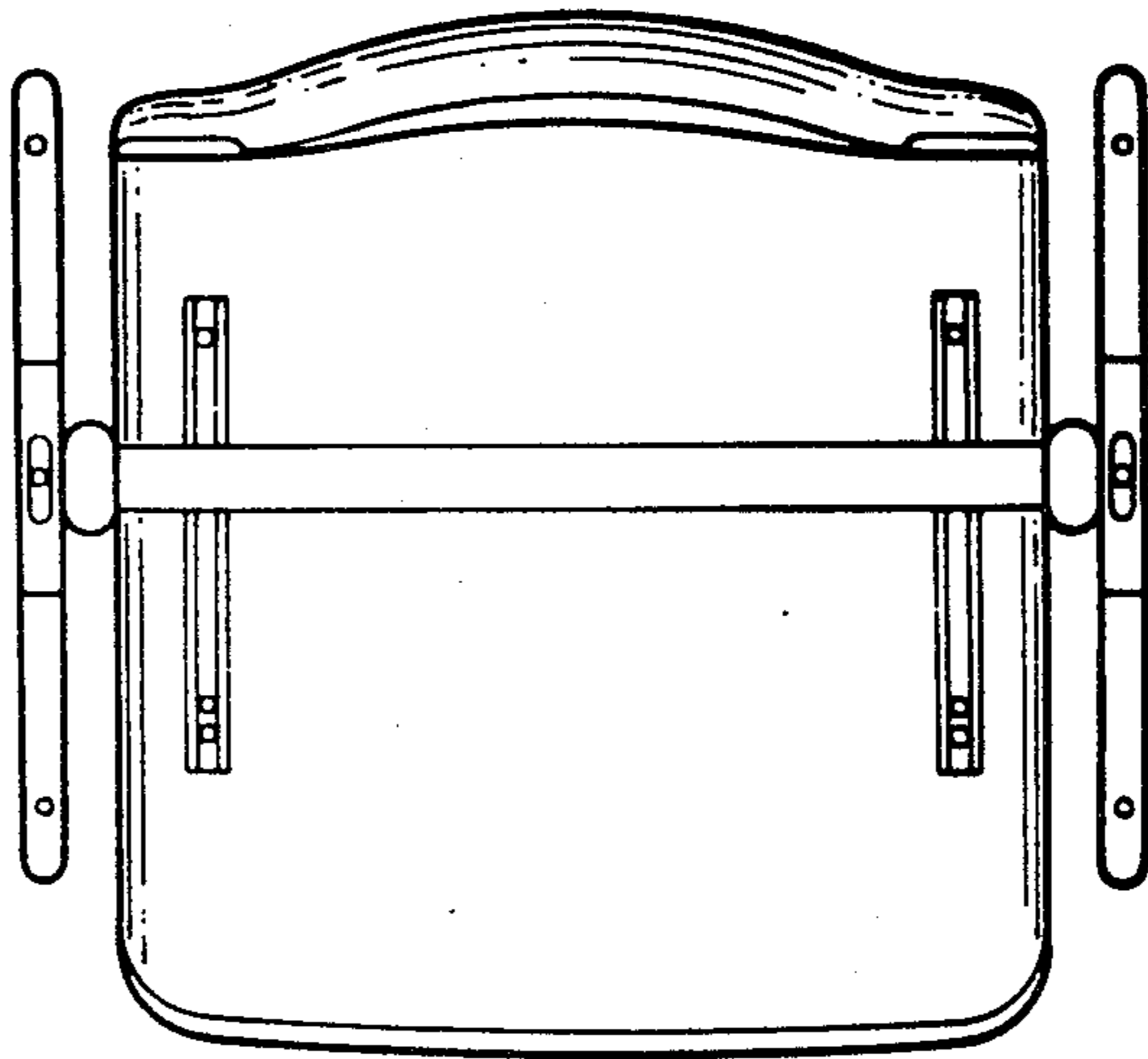


FIG. 15

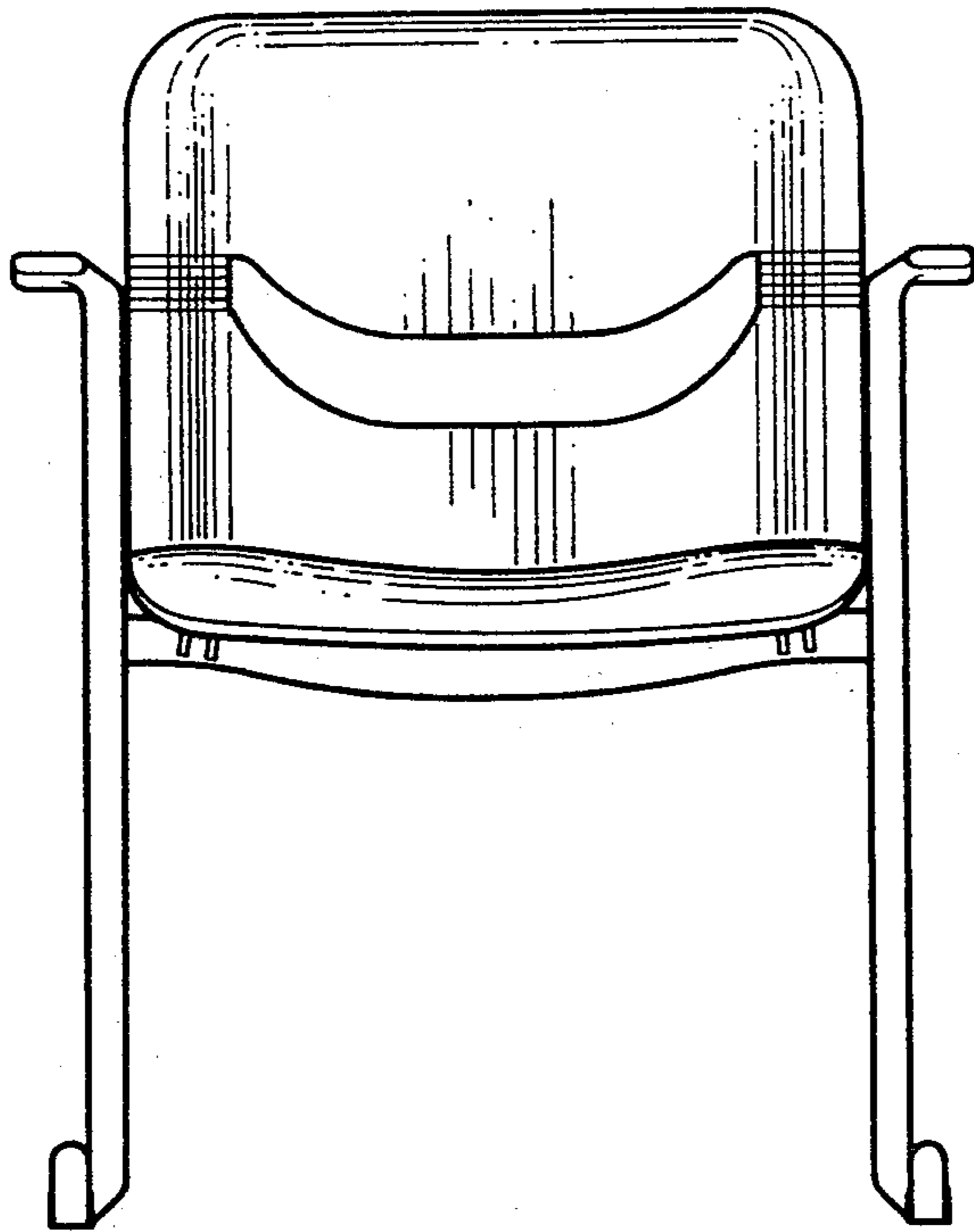


FIG. 16

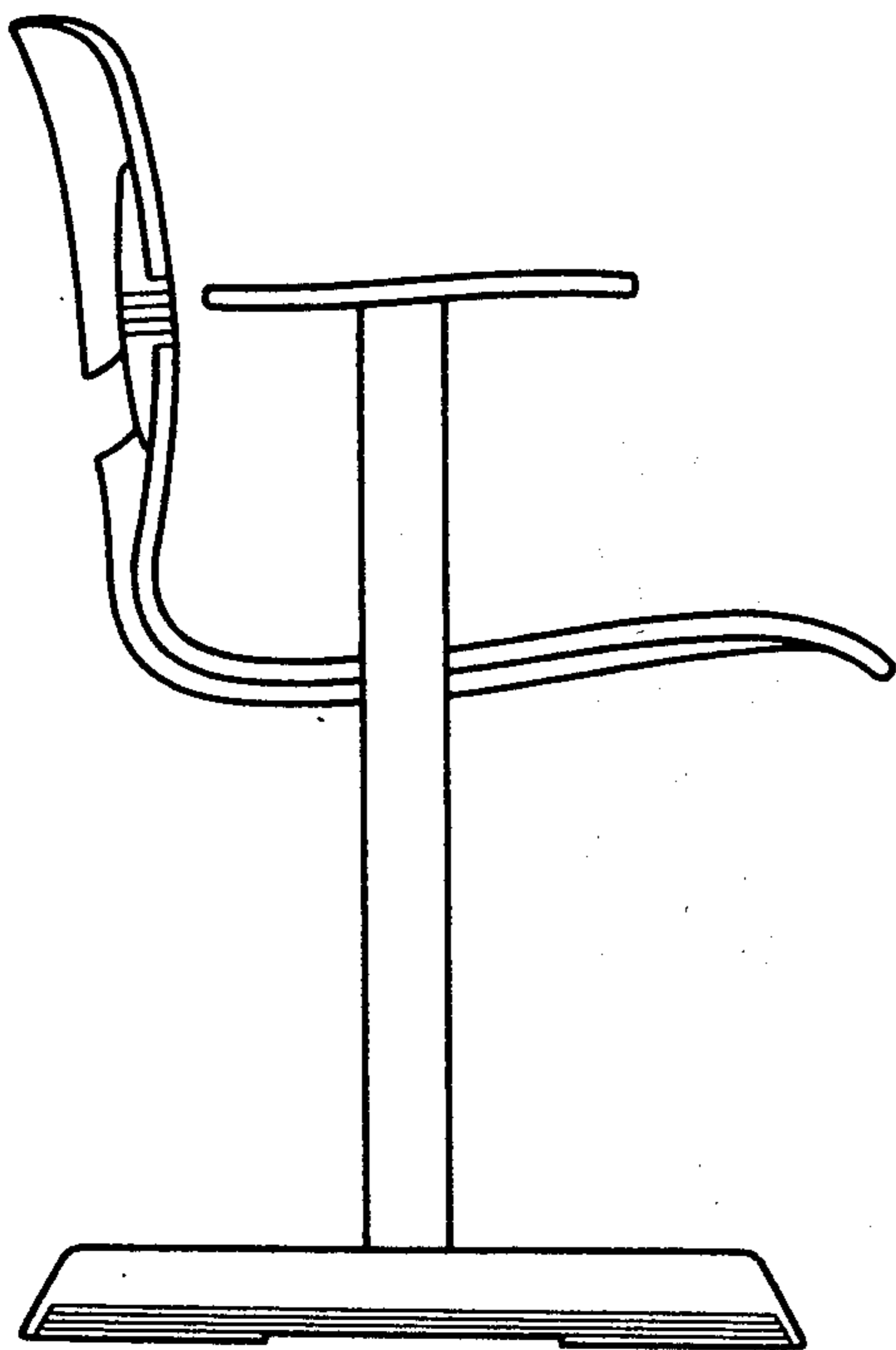


FIG. 17

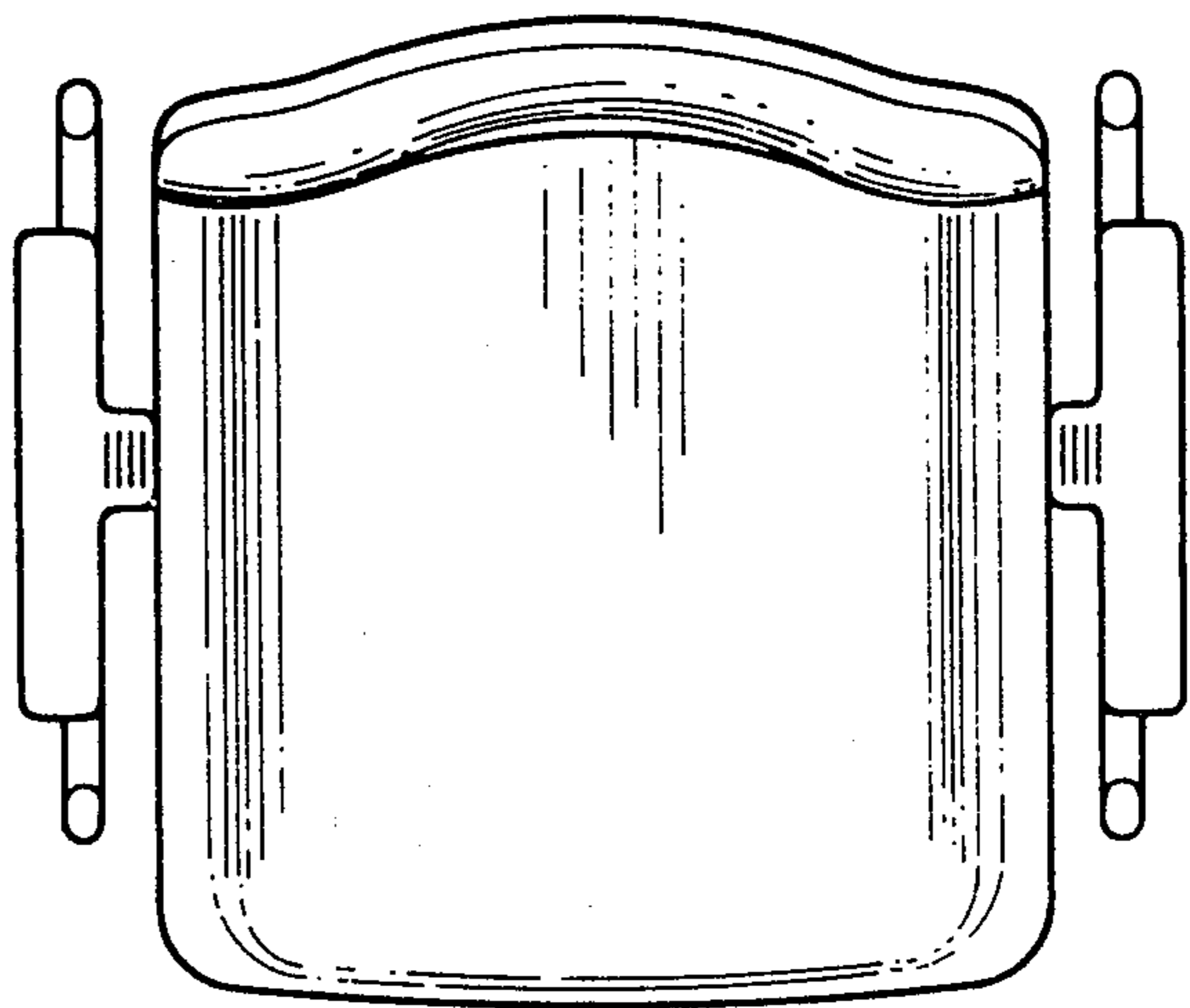


FIG. 18

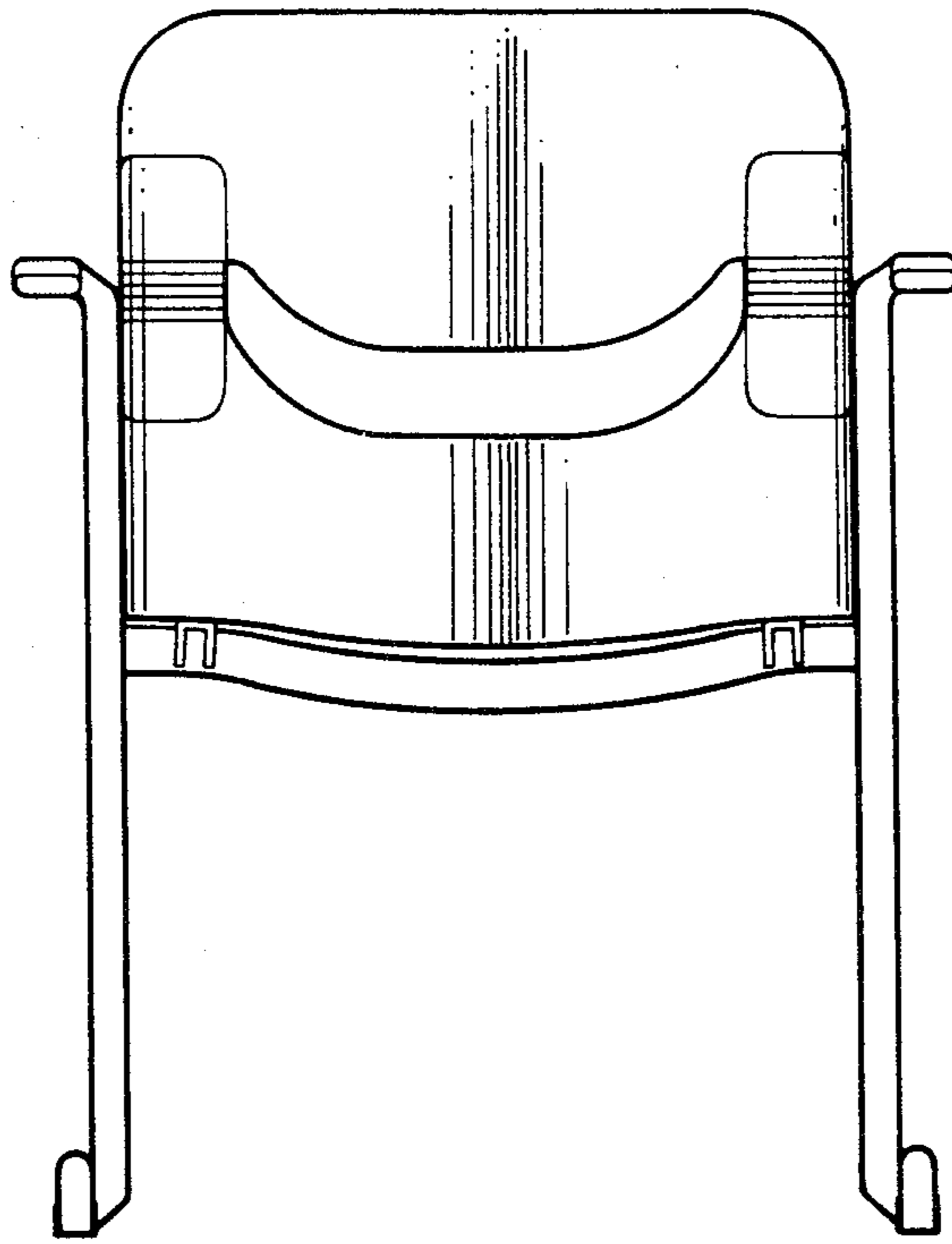


FIG. 19

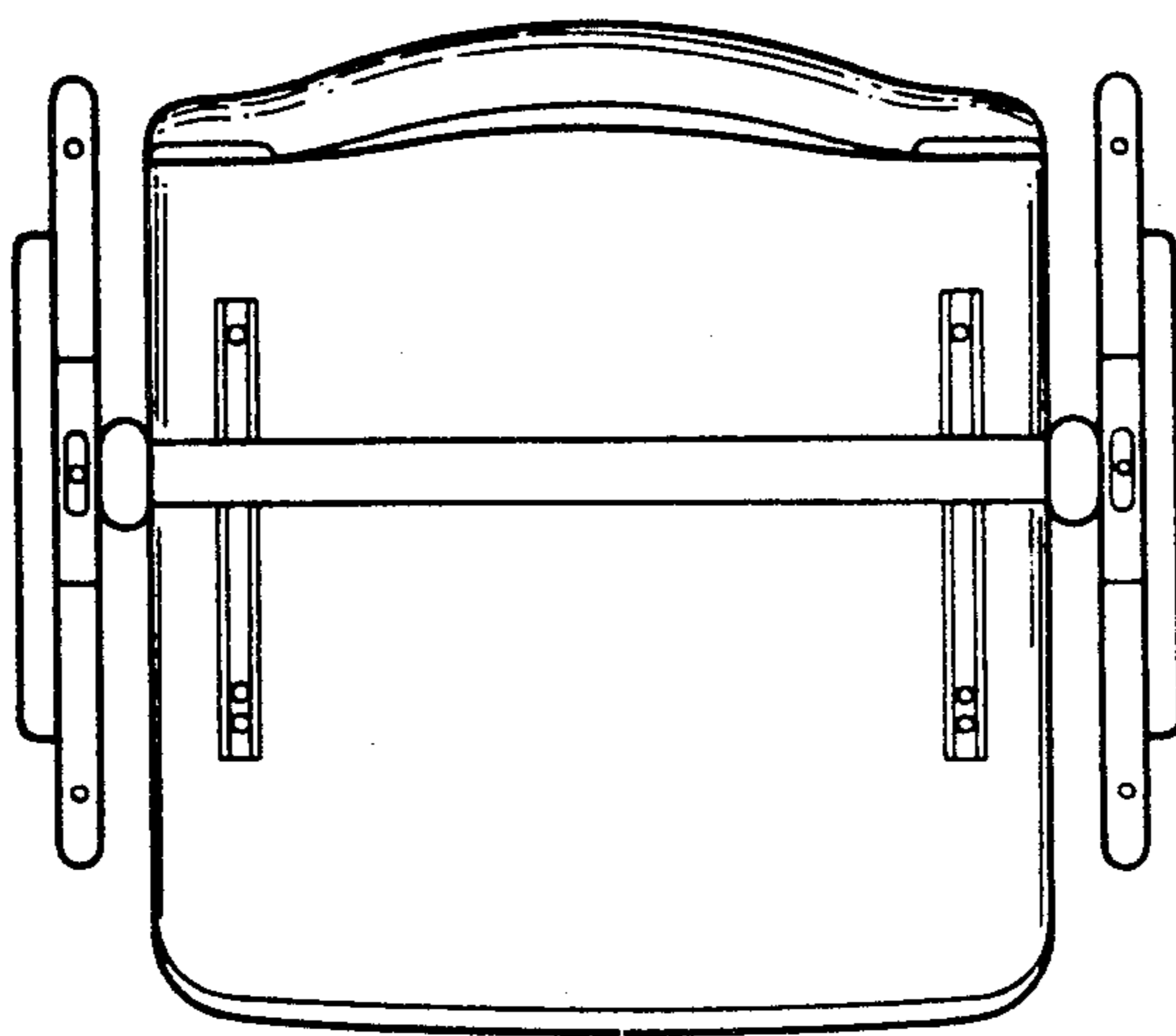


FIG. 20