

[54] EMBROIDERY HOOP HOLDER

[76] Inventor: James D. Di Martino, 14099 Mortenview, Taylor, Mich. 48180

[**] Term: 14 Years

[21] Appl. No.: 588,154

[22] Filed: Mar. 9, 1984

[52] U.S. Cl. D3/26

[58] Field of Search D3/26; 223/106, 120; D15/78; 38/102.2, 102.91, 102, 102.1

[56] References Cited

U.S. PATENT DOCUMENTS

D. 244,755	6/1977	Bard	D3/20 X
396,073	1/1889	Cory	38/102.2
437,240	9/1890	Przewdzink	38/102.2
1,016,463	2/1912	Wilkins	38/102.2
3,955,722	5/1976	Bard	D3/23 X

OTHER PUBLICATIONS

Hereschners Catalog, (985), Spring '75, p. 36, Quilting Hoop #7-2544, top, middle of page.

Primary Examiner—Bernard Ansher

Assistant Examiner—Terry Pfeffer

[57] CLAIM

The ornamental design for an embroidery hoop holder, as shown and described.

DESCRIPTION

FIG. 1 is a perspective view of an embroidery hoop holder showing my new design; FIG. 2 is a front elevation thereof; FIG. 3 is a right side elevation thereof; FIG. 4 is a top plan view thereof; FIG. 5 is a bottom plan view thereof; FIG. 6 is a left side elevation thereof; FIG. 7 is a rear elevation thereof; FIG. 8 is a side elevation of a second embodiment of that shown in FIG. 1, the top portion only shown for ease of illustration; and FIG. 9 is a front elevation thereof.

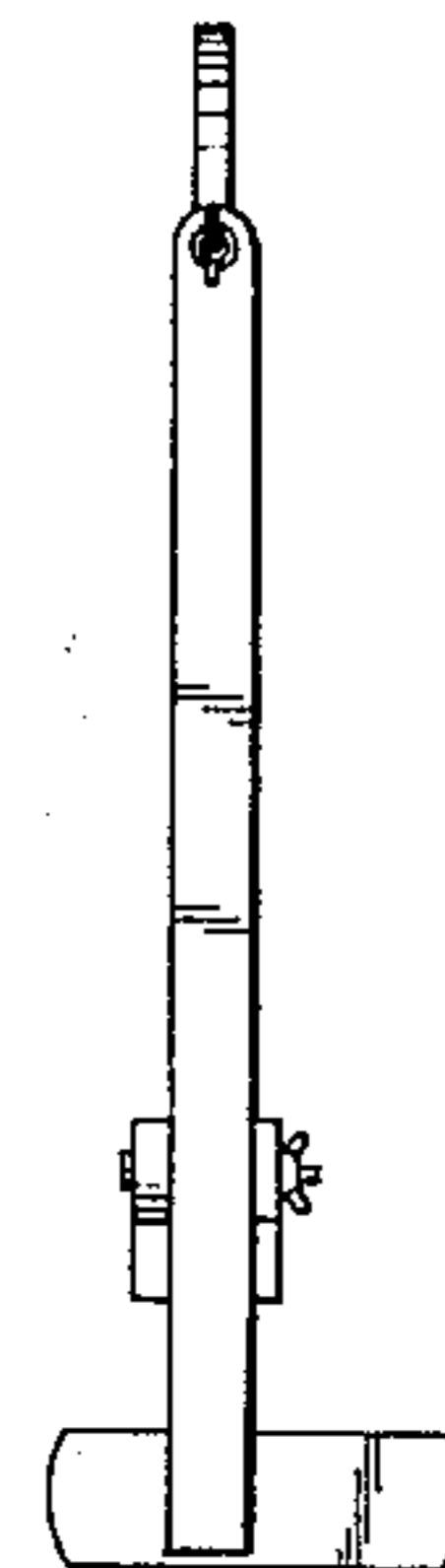
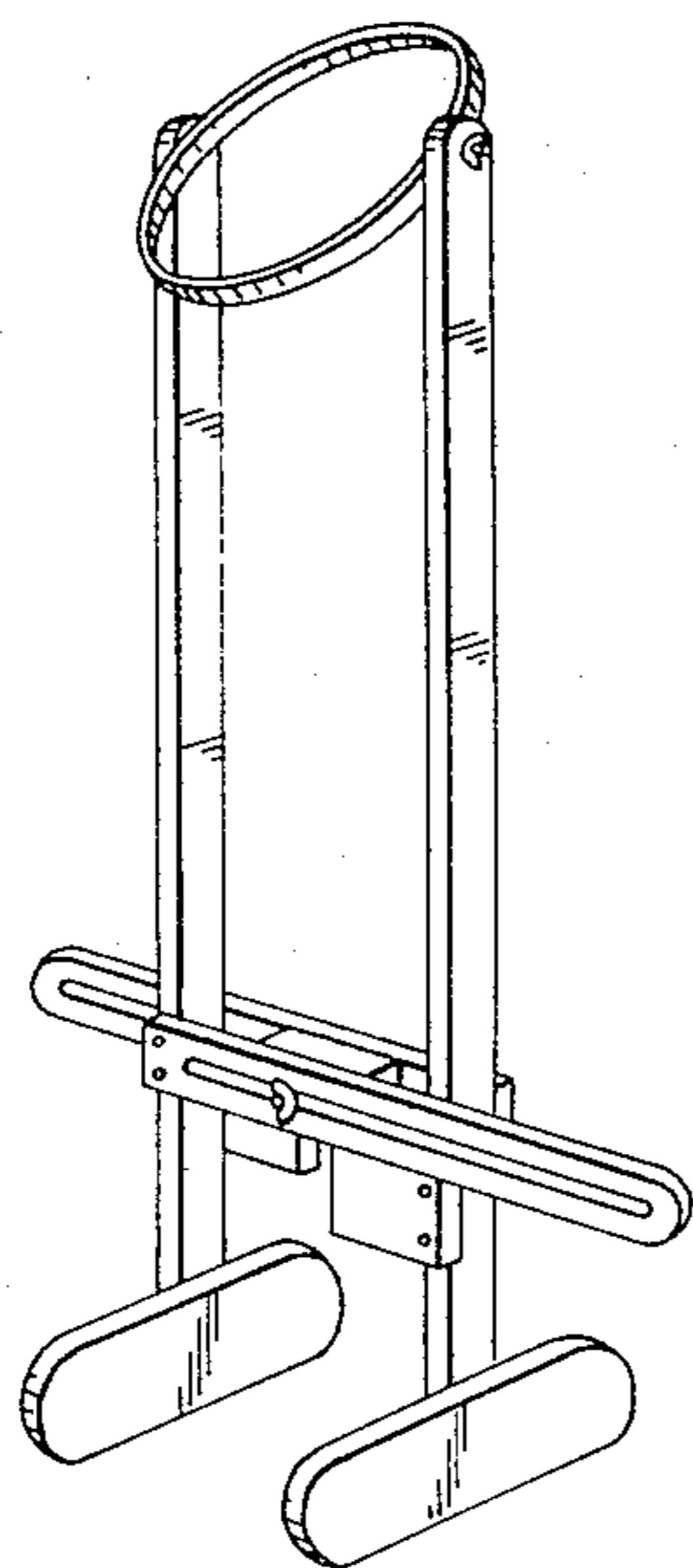


FIG. 1

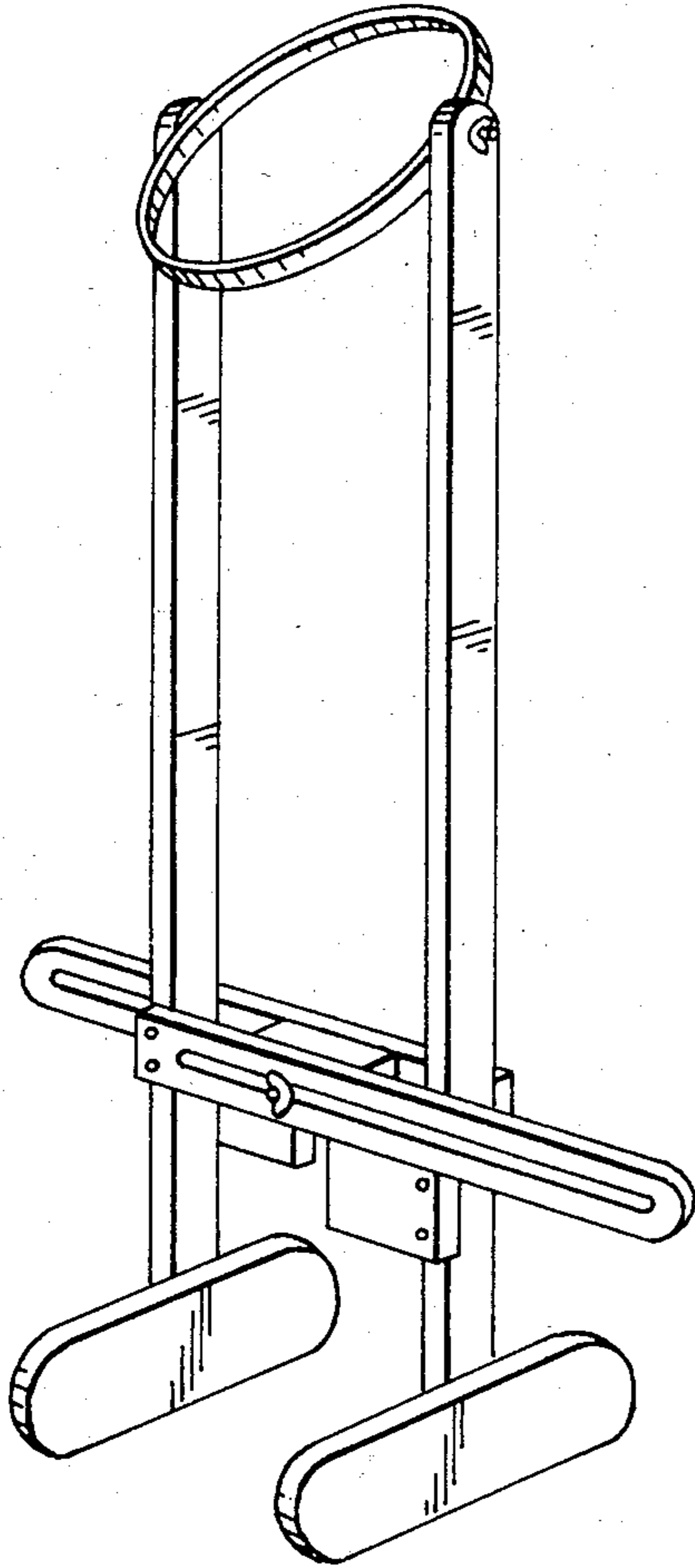


FIG. 2

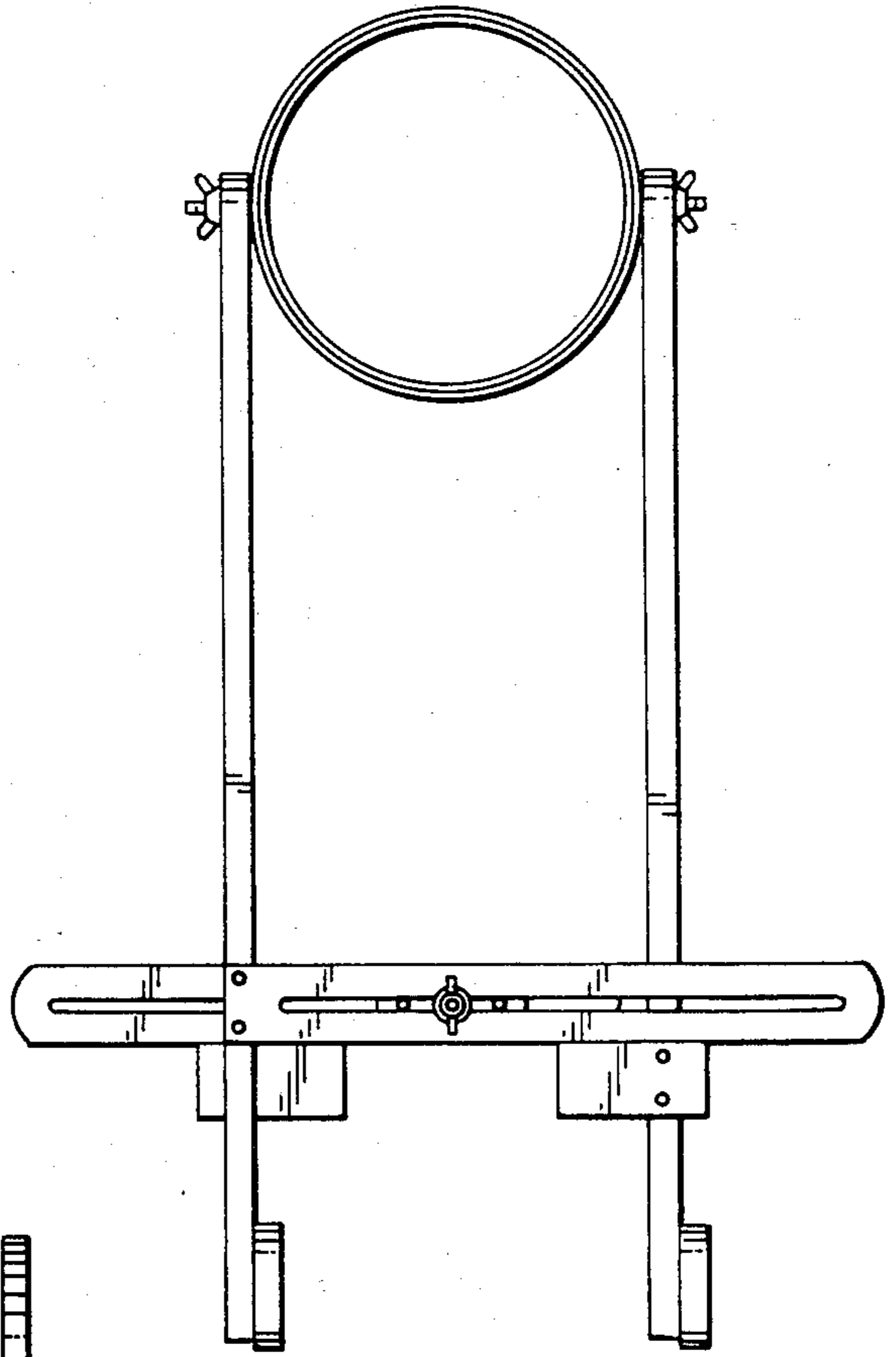


FIG. 4

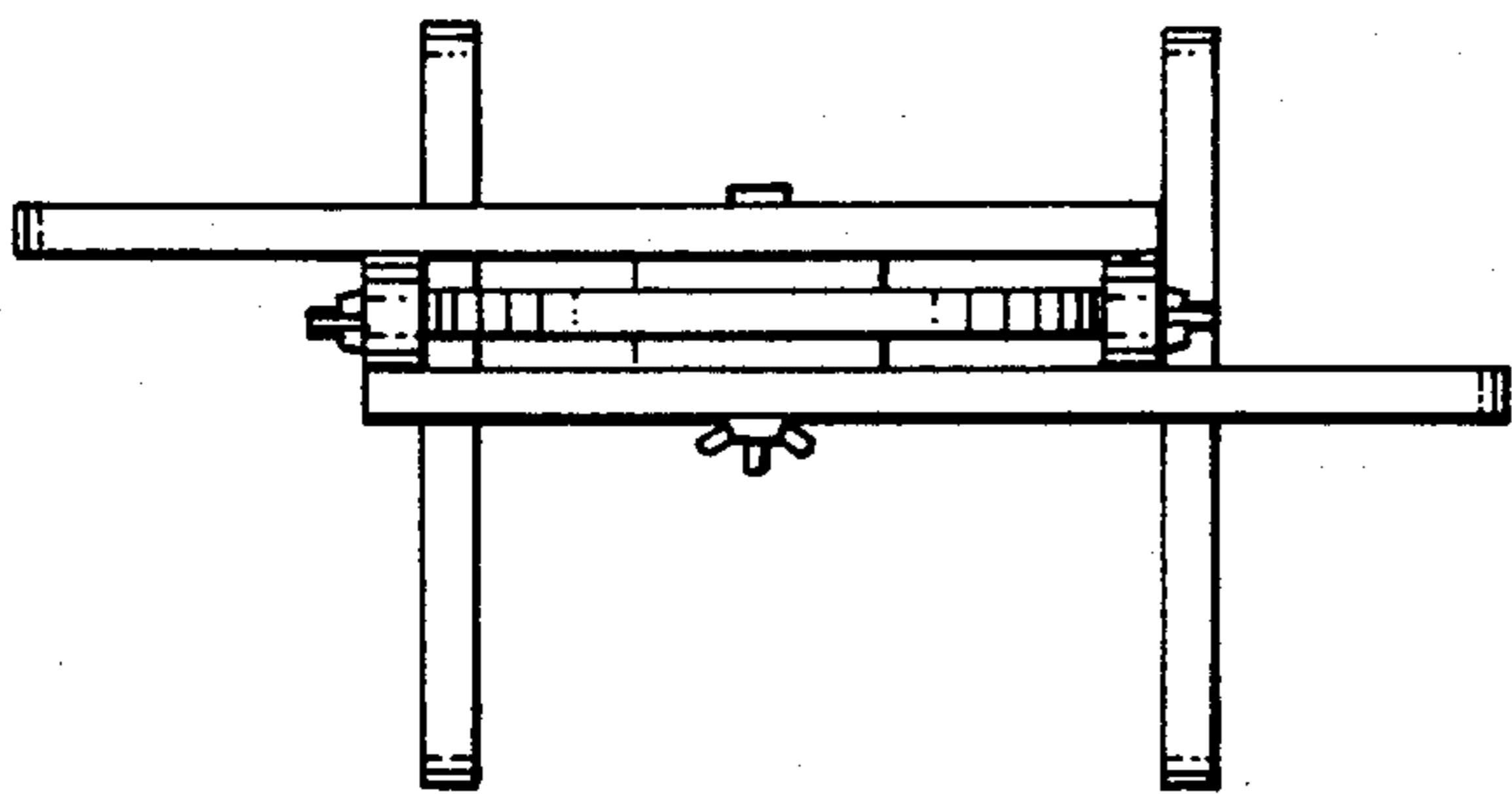
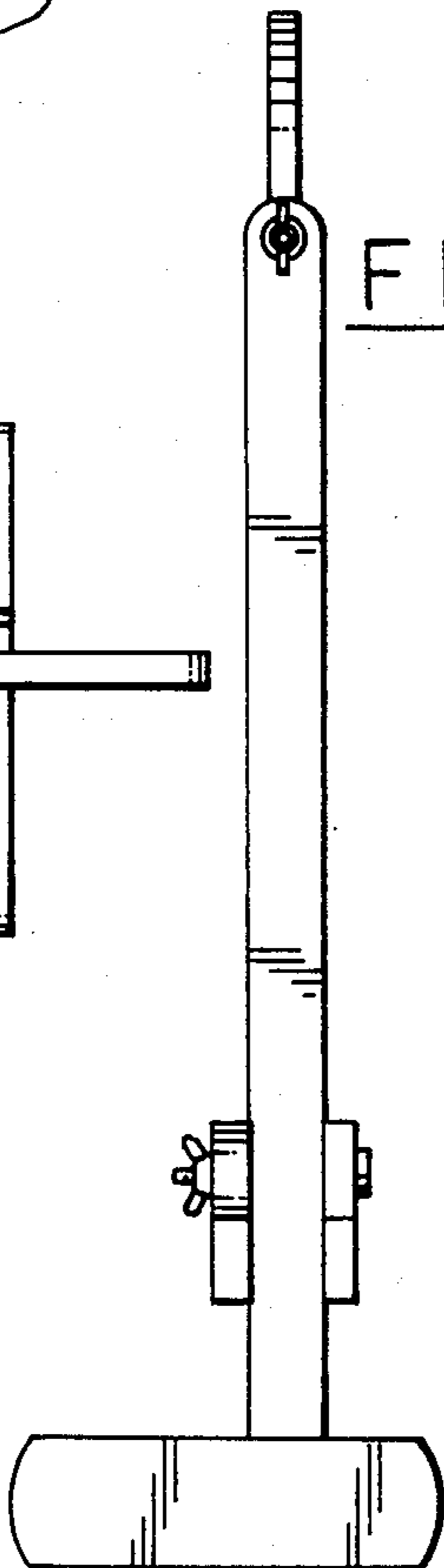


FIG. 3



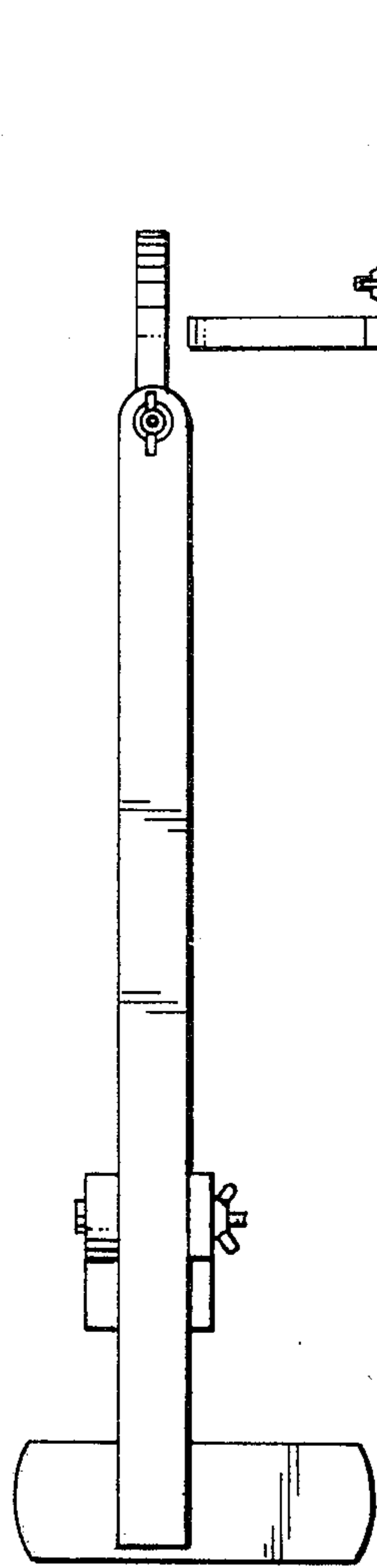


FIG. 6

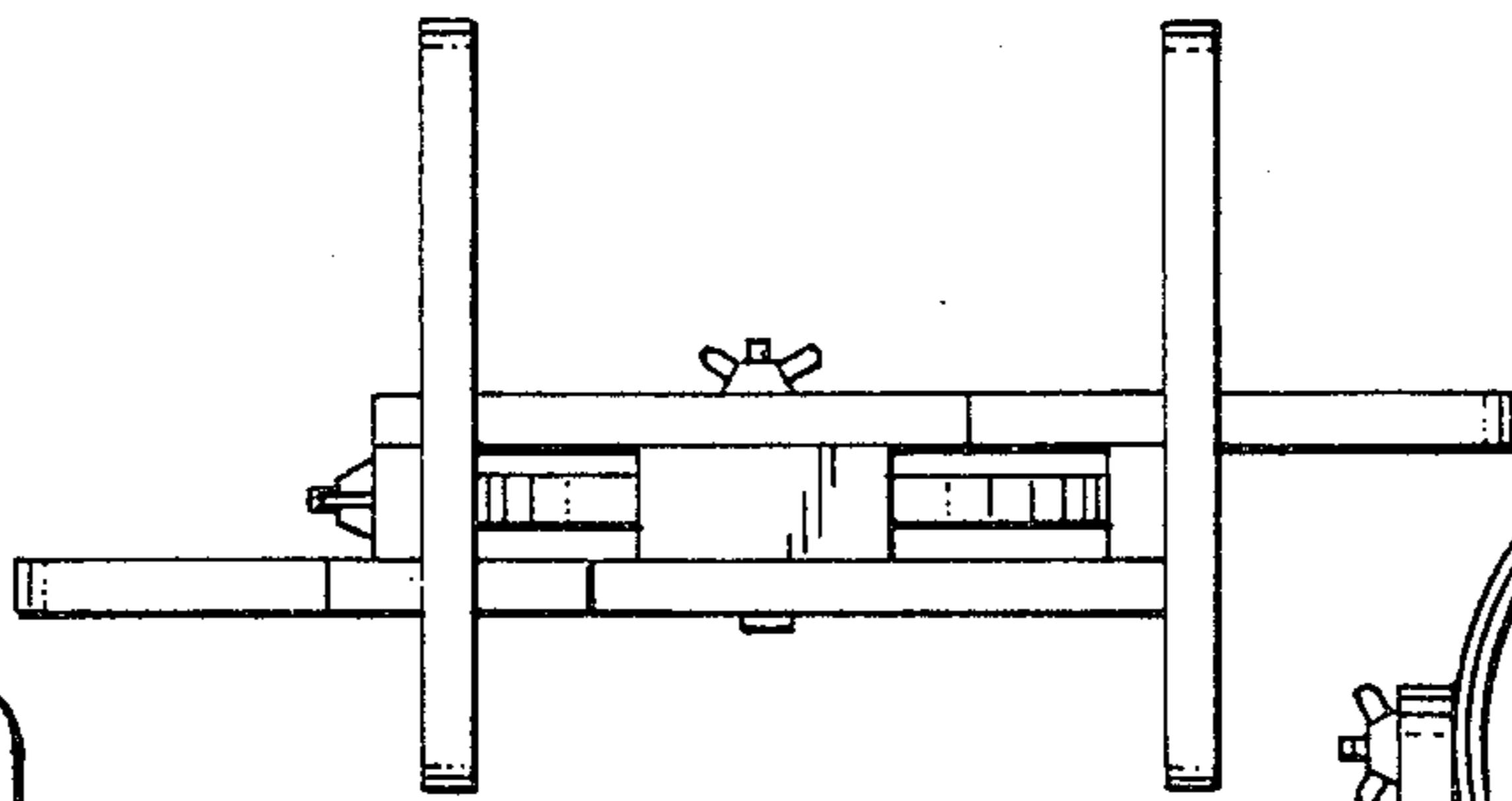


FIG. 5

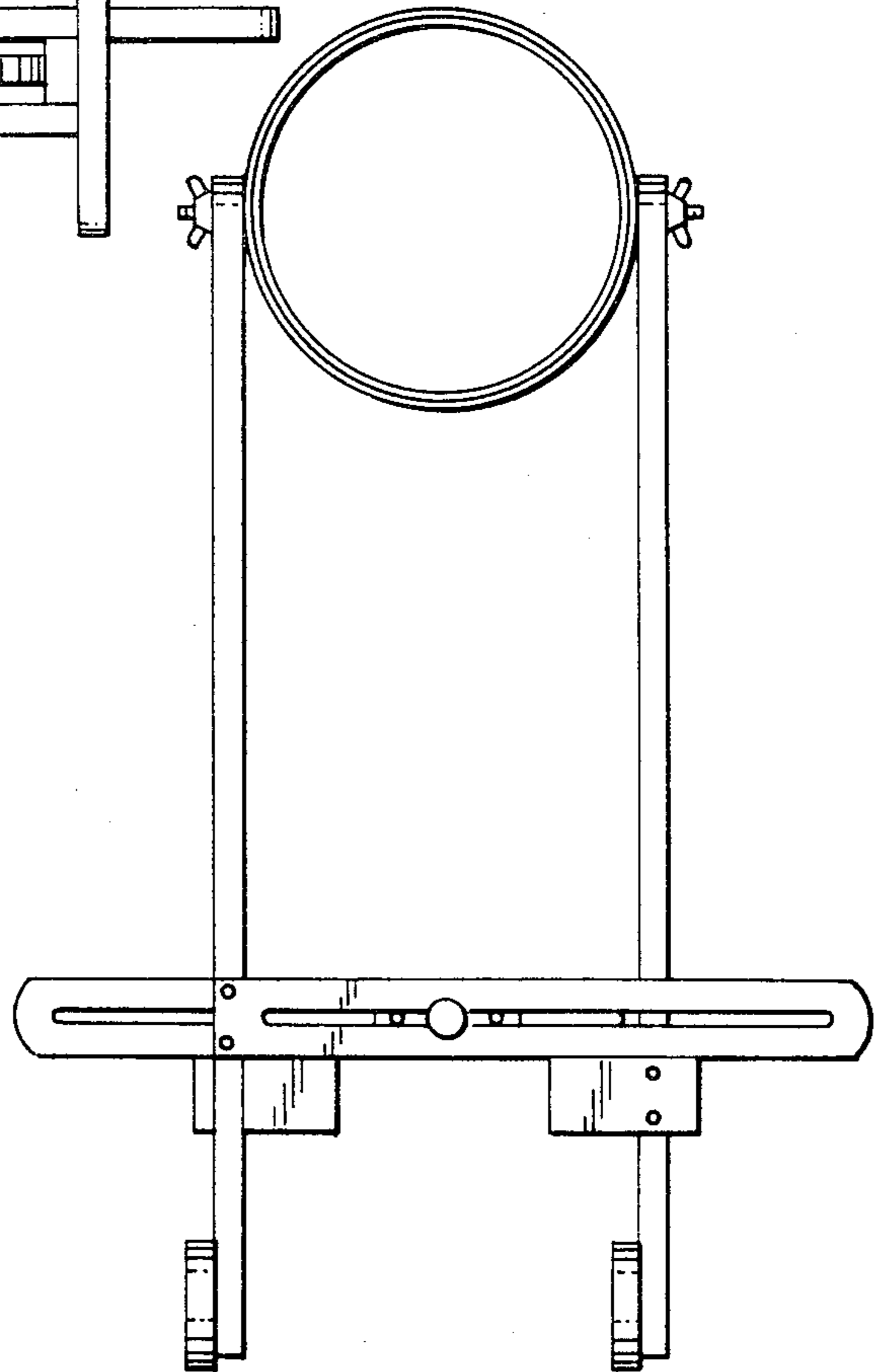


FIG. 7



FIG. 8

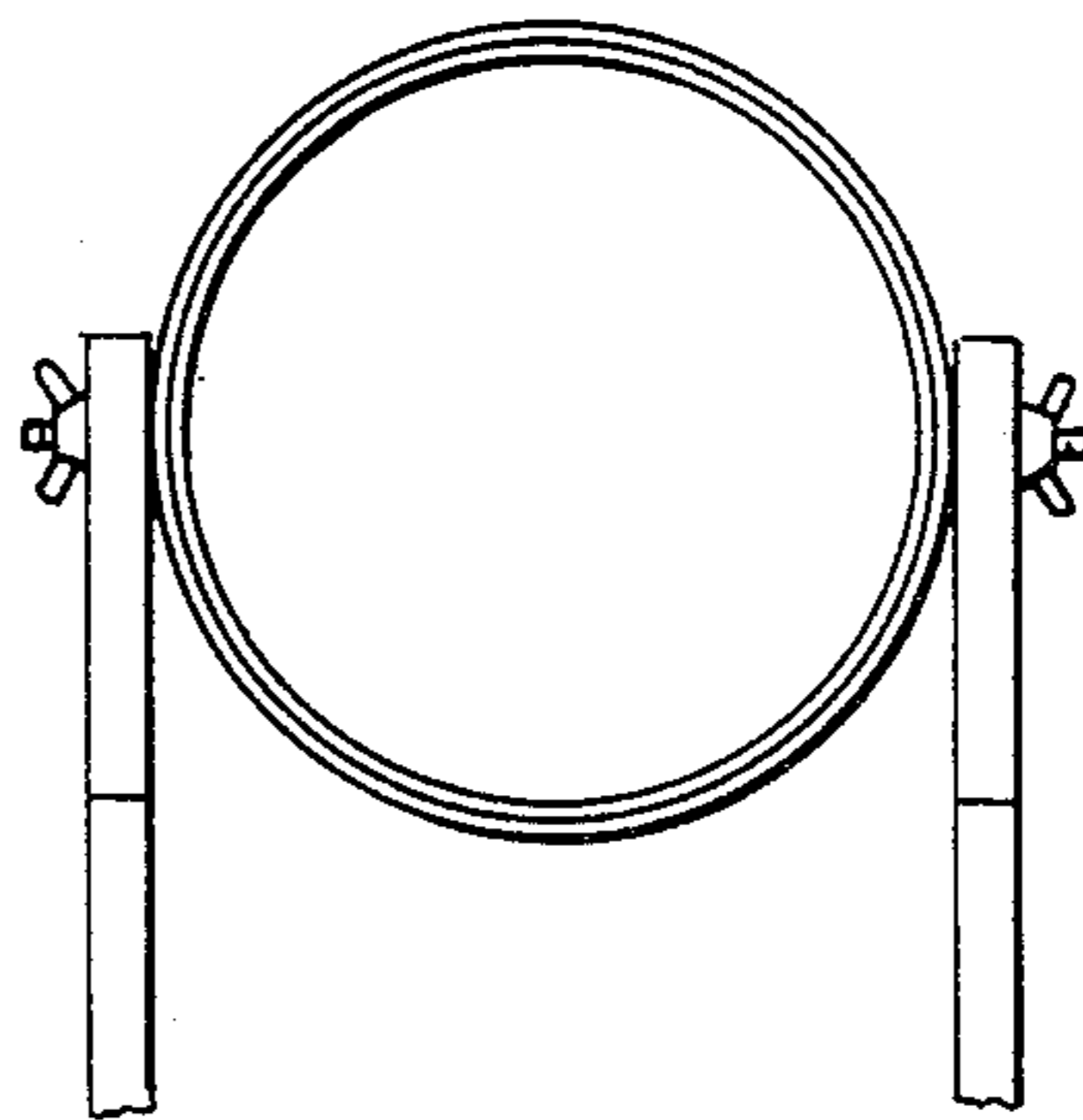


FIG. 9