

[54] DIGITAL SPHYGMOMANOMETER

[75] Inventors: Hiroshi Nishibori; Harumi Fukuda, both of Osaka, Japan

[73] Assignee: Sharp Corporation, Osaka, Japan

[**] Term: 14 Years

[21] Appl. No.: 567,073

[22] Filed: Dec. 30, 1983

[30] Foreign Application Priority Data

Jul. 7, 1983 [JP] Japan 58-29725

[52] U.S. Cl. D24/21

[58] Field of Search D24/8, 17, 21, 99; D9/426; D10/46, 57, 75, 85, 100; D13/40-41; 128/900, 630-635, 637, 660-663, 666-667, 672, 680-683, 687-689, 691, 693, 696, 698, 701, 713, 706-707; 73/748-750; 206/305-306; D18/7

[56] References Cited

U.S. PATENT DOCUMENTS

D. 251,775 5/1979 Schmidt et al. D24/17

D. 262,318	12/1981	Koshino	D24/8
D. 273,370	4/1984	Eilert	D10/75
D. 277,133	1/1985	Haulihan	D24/17
D. 278,041	3/1985	Clarke	D10/75
D. 279,108	6/1985	Sawada	D18/7
4,397,317	8/1983	Villa-Real	128/680

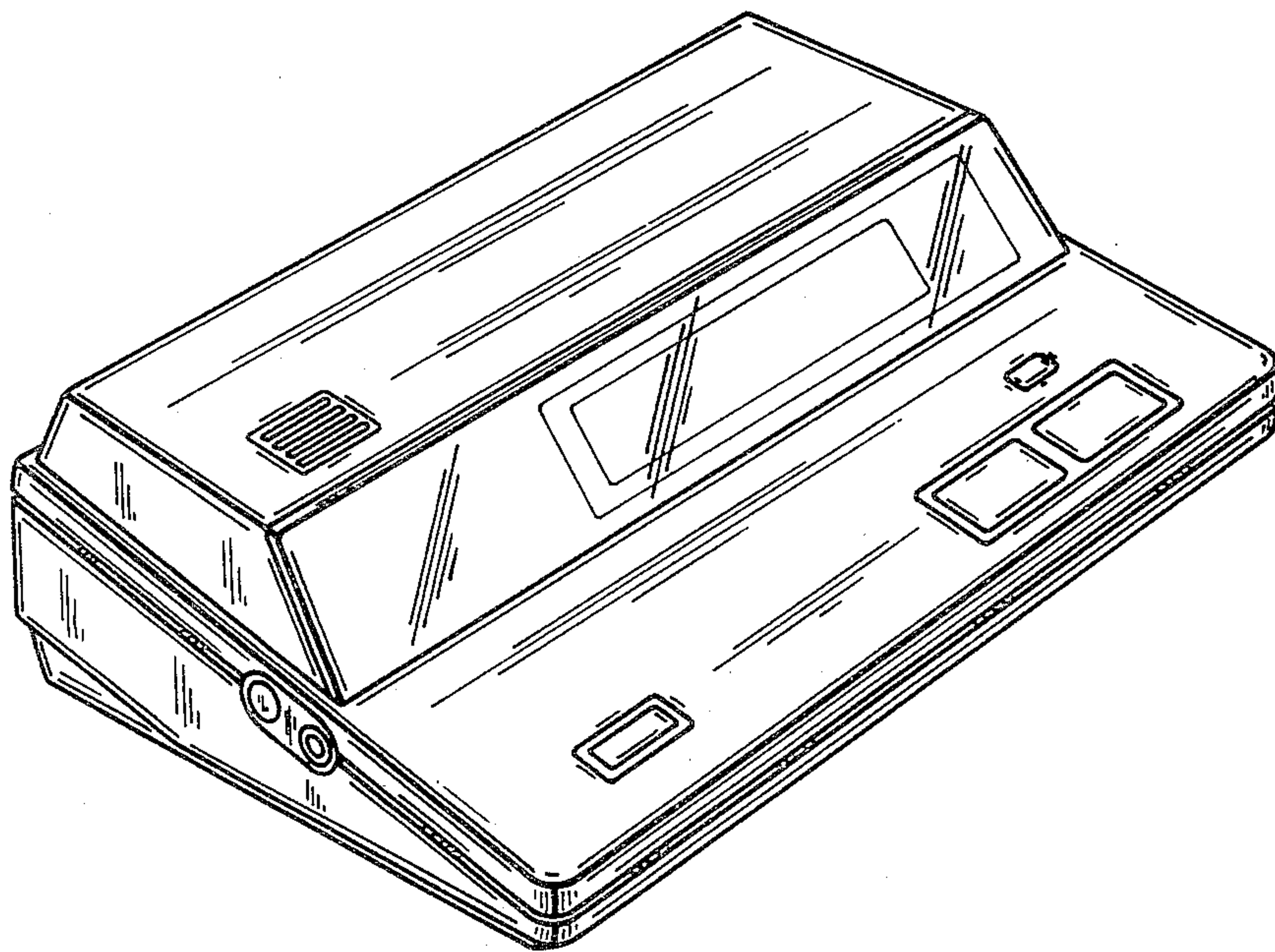
Primary Examiner—Wallace R. Burke
Assistant Examiner—Brian N. Vinson
Attorney, Agent, or Firm—Flehr, Hohbach, Test, Albritton & Herbert

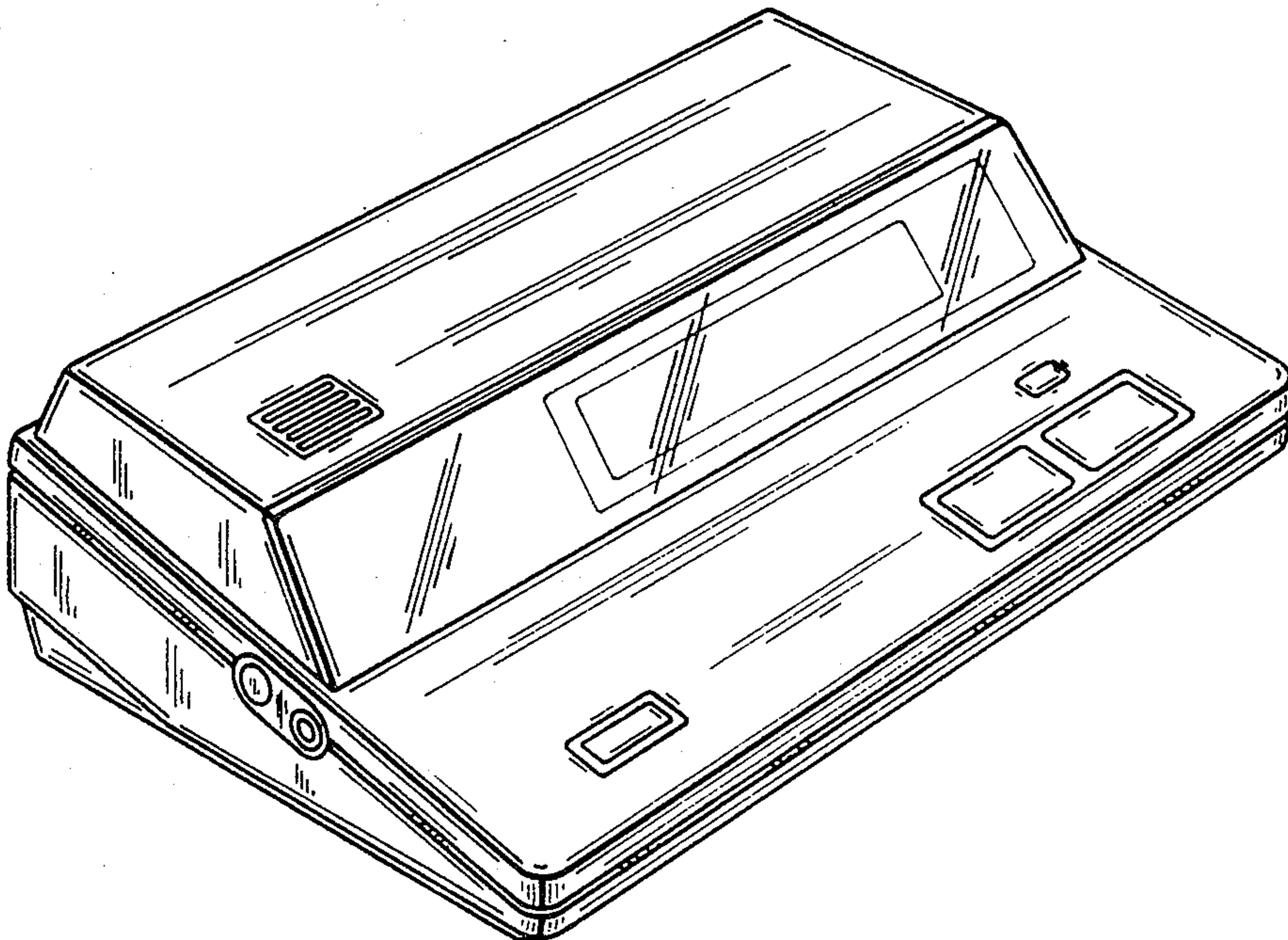
[57] CLAIM

The ornamental design for a digital sphygmomanometer, as shown and described.

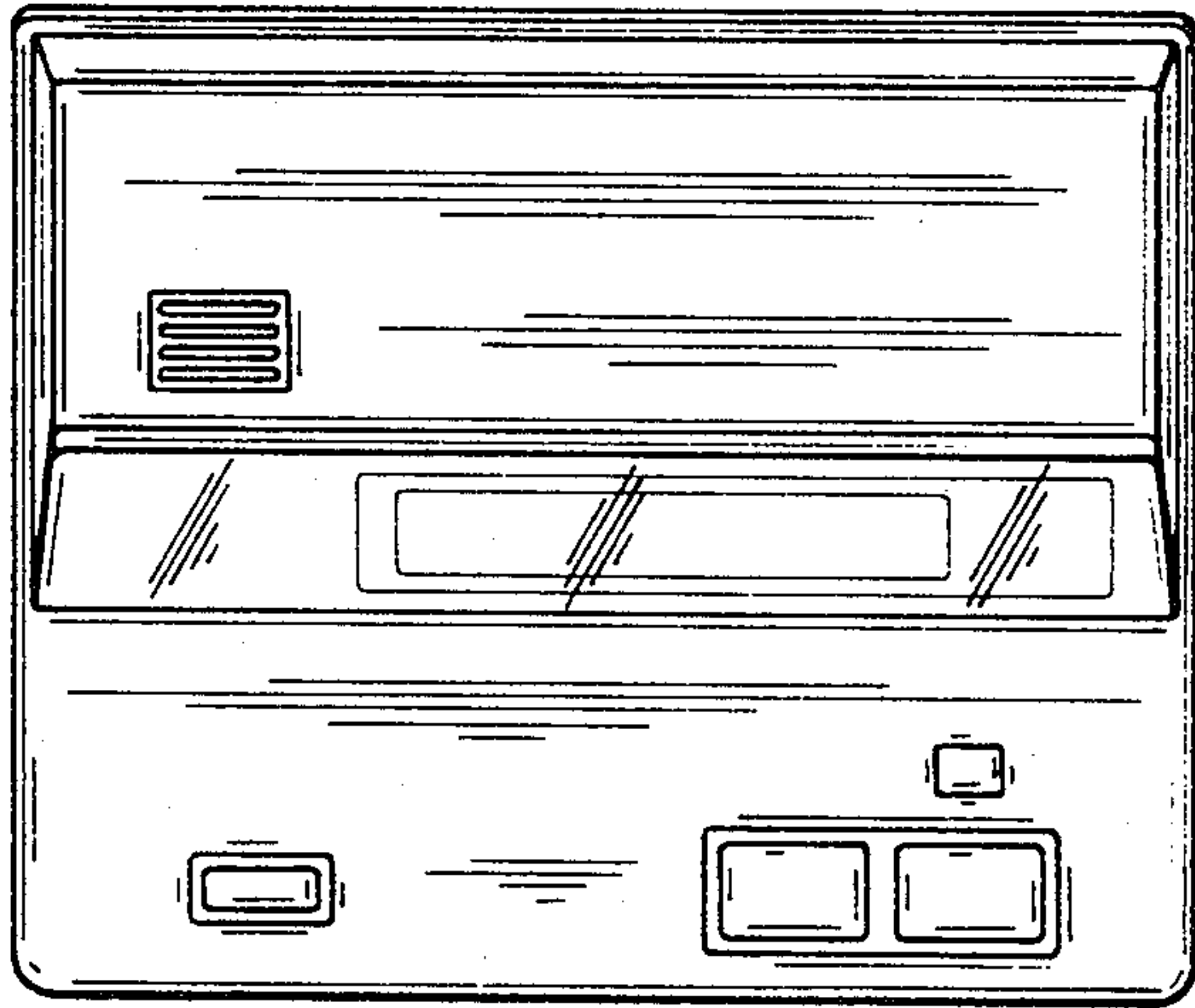
DESCRIPTION

FIG. 1 is a perspective view of a digital sphygmomanometer showing our new design; FIG. 2 is a top plan view thereof; FIG. 3 is a bottom plan view thereof; FIG. 4 is a front elevational view thereof; FIG. 5 is a rear elevational view thereof; FIG. 6 is a right side elevational view thereof; and FIG. 7 is a left side elevational view thereof.

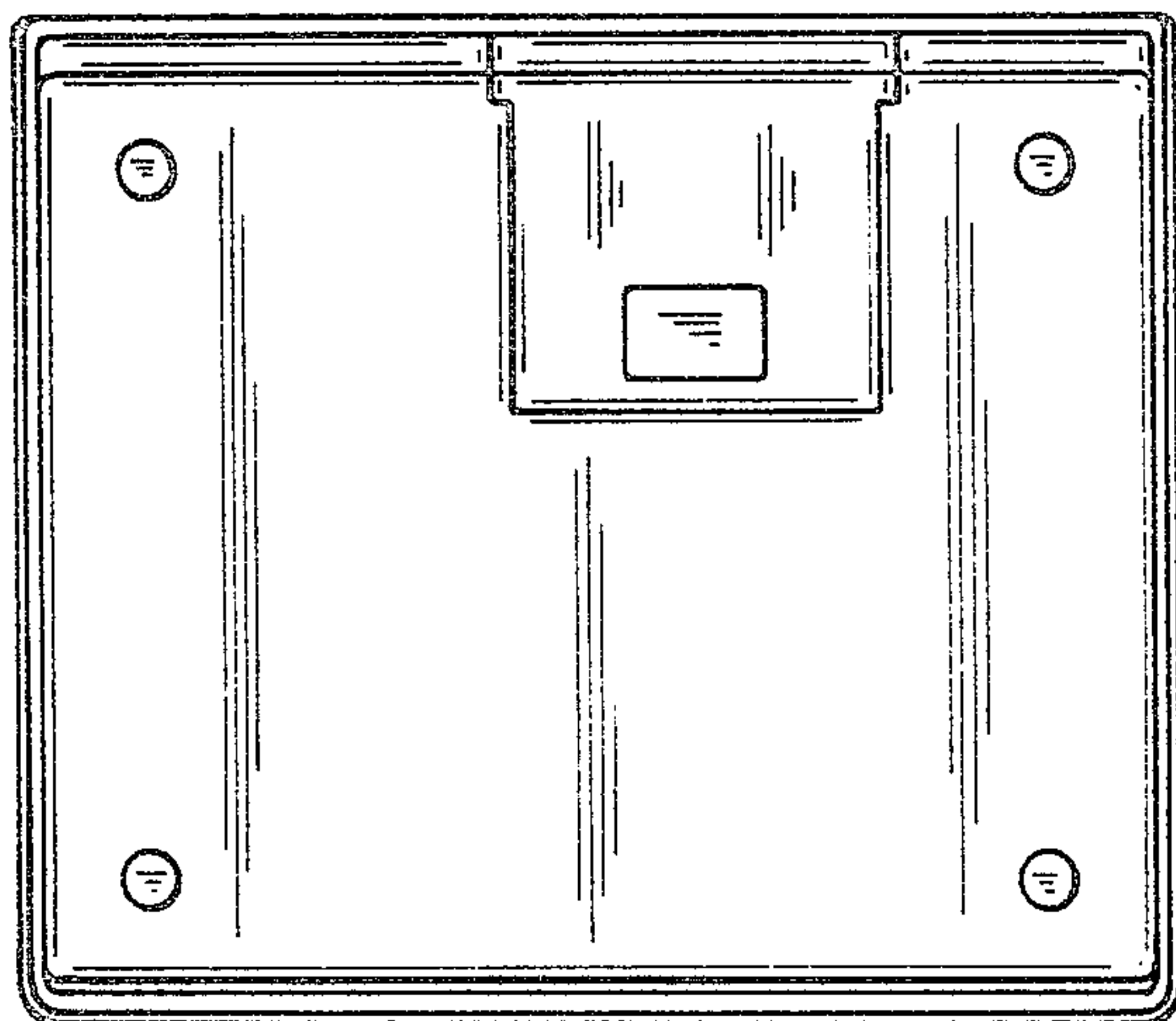




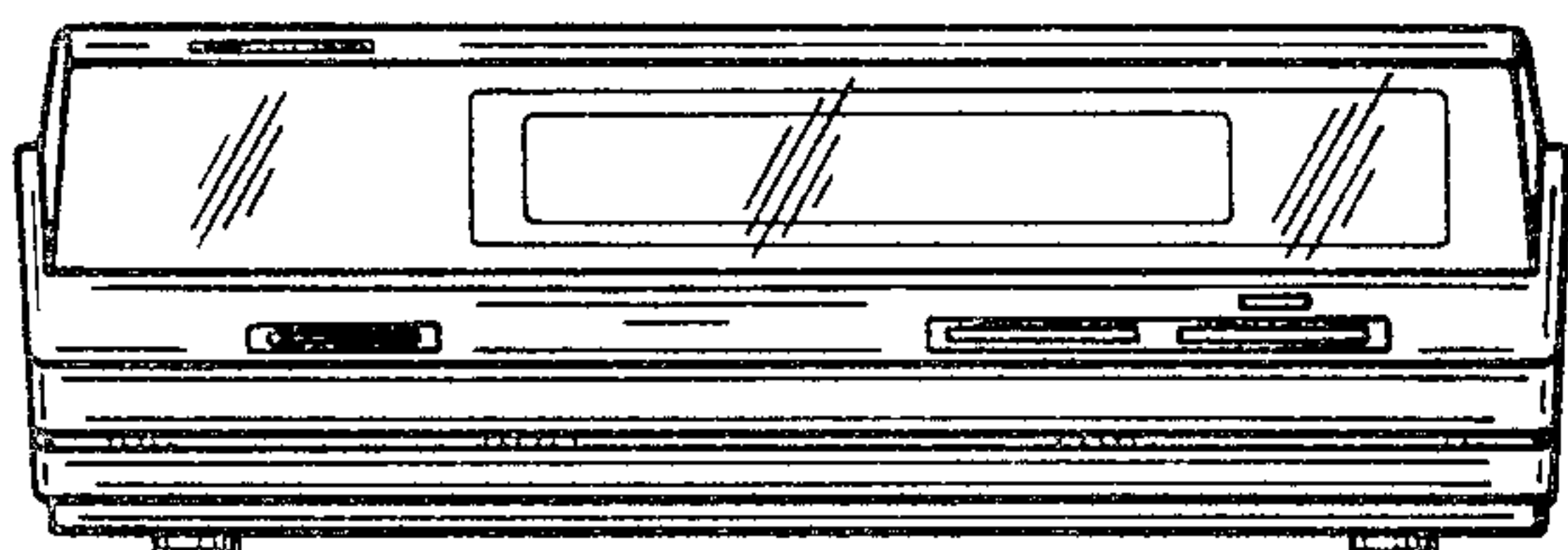
FIG_1



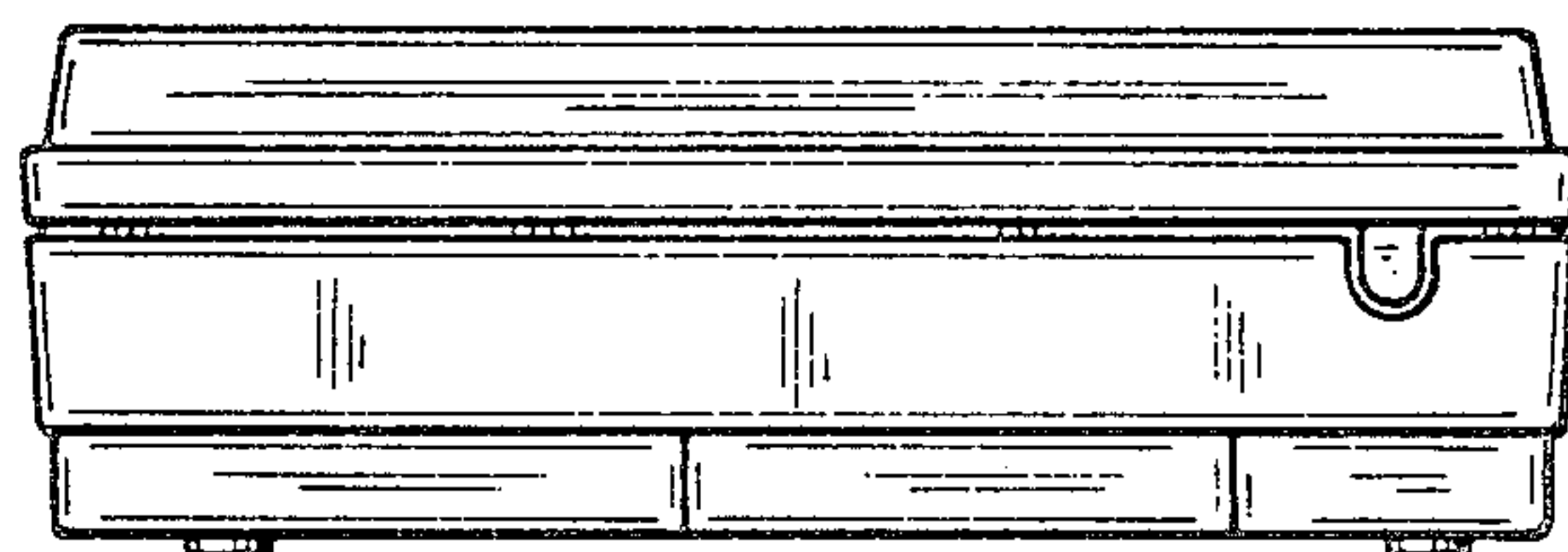
FIG_2



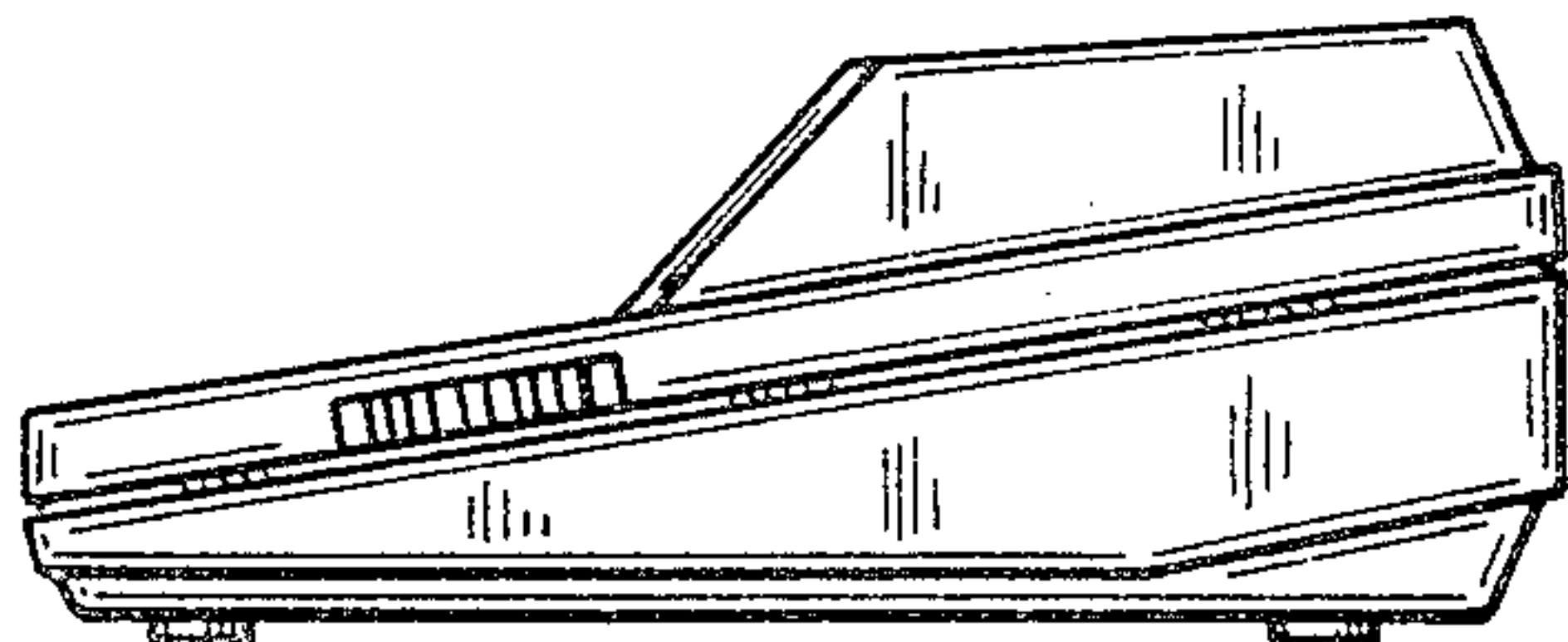
FIG_3



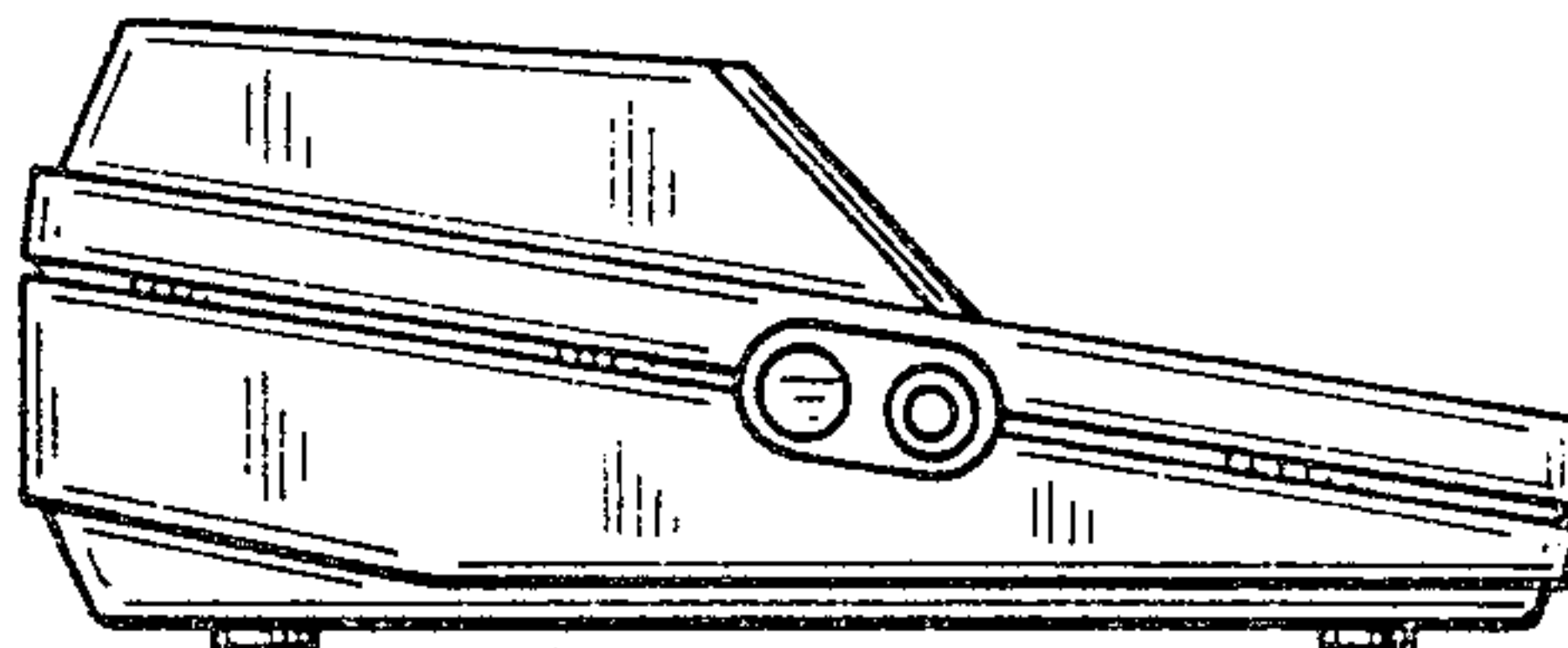
FIG_4



FIG_5



FIG_6



FIG_7