

[54] BACKING RING FOR A PIPE COUPLING

[75] Inventors: Laverne J. Milot; Kenneth D. Werbowy, both of Mississauga, Canada

[73] Assignee: Canron Inc., Toronto, Canada

[\*\*] Term: 14 Years

[21] Appl. No.: 530,654

[22] Filed: Sep. 9, 1983

[30] Foreign Application Priority Data

Mar. 29, 1983 [CA] Canada ..... 29-03-83-23  
[52] U.S. Cl. .... D23/43  
[58] Field of Search ..... D23/40-46;  
285/337, 413, 417

[56] References Cited

U.S. PATENT DOCUMENTS

D. 16,160 7/1885 Crano ..... D23/43  
D. 208,388 8/1967 Graham ..... D23/43

D. 240,428 7/1976 Hoffman ..... D23/40  
1,940,729 12/1933 Pfefferle ..... 285/337  
2,288,904 7/1942 Hudson ..... 285/337 X  
2,412,487 12/1946 Amley et al. .  
2,792,240 5/1957 Riskey et al. .... 285/337 X  
3,065,000 11/1962 Stanton ..... 285/337 X  
3,433,509 3/1969 Jeffery et al. .... 285/414 X

FOREIGN PATENT DOCUMENTS

981721 1/1976 Canada .

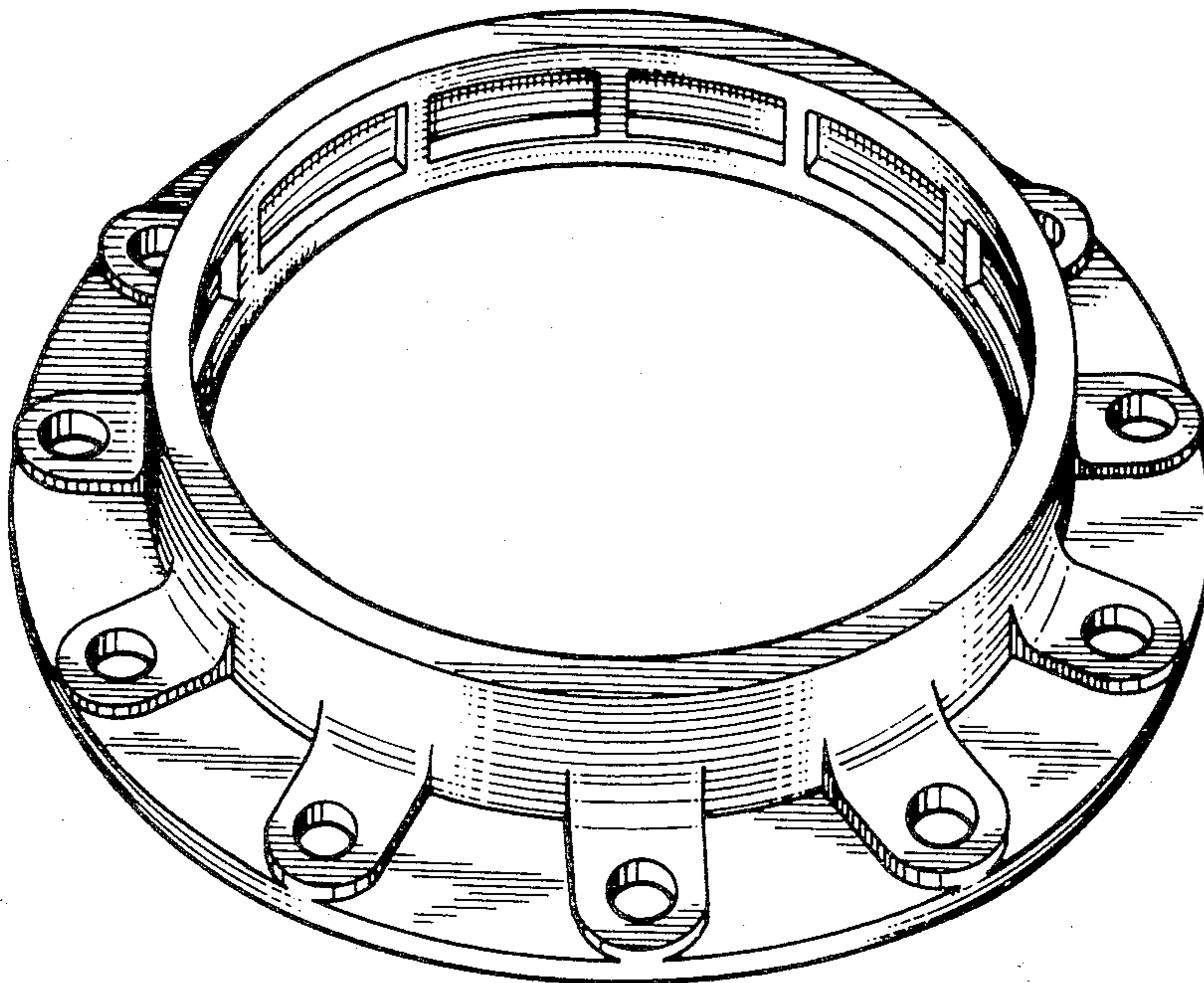
Primary Examiner—James R. Largen  
Attorney, Agent, or Firm—Schwartz, Jeffery, Schwaab,  
Mack, Blumenthal & Evans

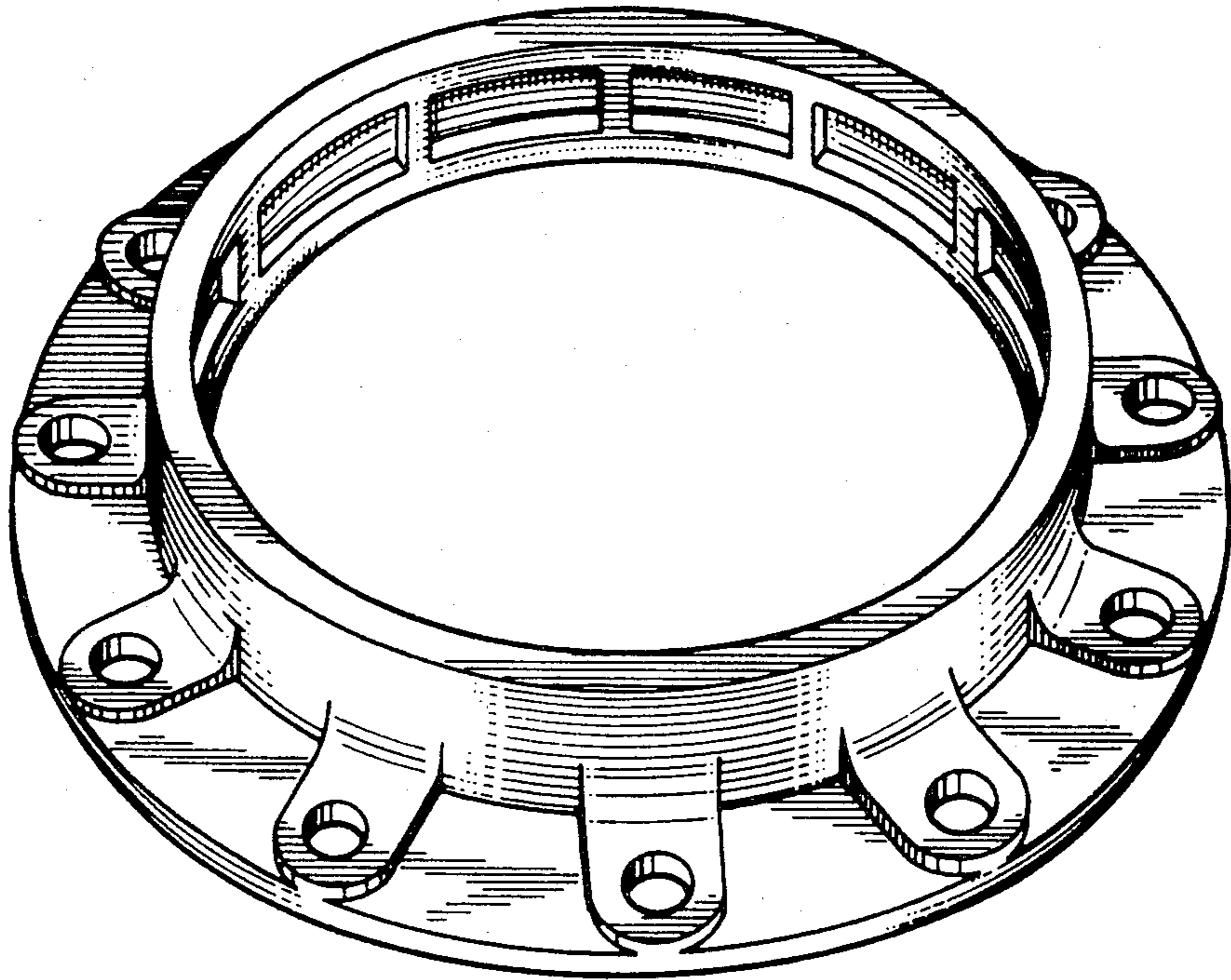
[57] CLAIM

The ornamental design for a backing ring for a pipe coupling, as shown and described.

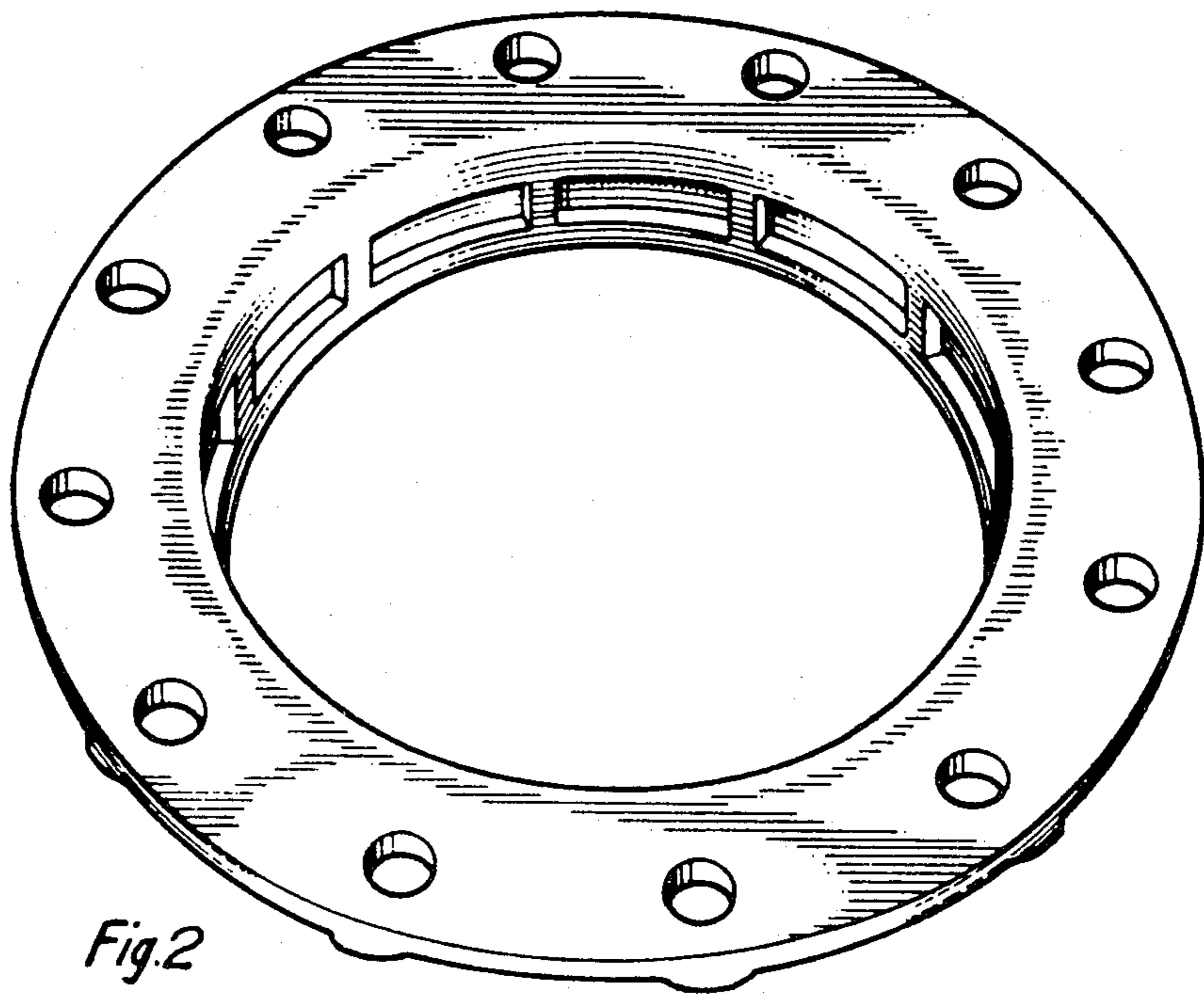
DESCRIPTION

FIG. 1 is a bottom perspective view of a backing ring for a pipe coupling showing our new design; and FIG. 2 is a top perspective view thereof.





*Fig. 1*



*Fig. 2*