

[54] SILO PLAYGROUND CLIMBER AND SLIDE

[75] Inventor: Keith A. Addleman, Hillsdale, Mich.

[73] Assignee: Quality Industries, Inc., Hillsdale, Mich.

[\*\*] Term: 14 Years

[21] Appl. No.: 544,485

[22] Filed: Oct. 24, 1983

[52] U.S. Cl. .... D21/244

[58] Field of Search ..... D21/242-246; 272/113

[56] References Cited

U.S. PATENT DOCUMENTS

D. 213,508 3/1969 Wormser ..... D21/245

D. 236,518 8/1975 Wormser ..... D21/244

OTHER PUBLICATIONS

Jamison Equipment Cat., p. 38, left, Lighthouse Slide.

Primary Examiner—Melvin B. Feifer

Attorney, Agent, or Firm—Beaman & Beaman

[57] CLAIM

The ornamental design for a silo playground climber and slide, substantially as shown and described.

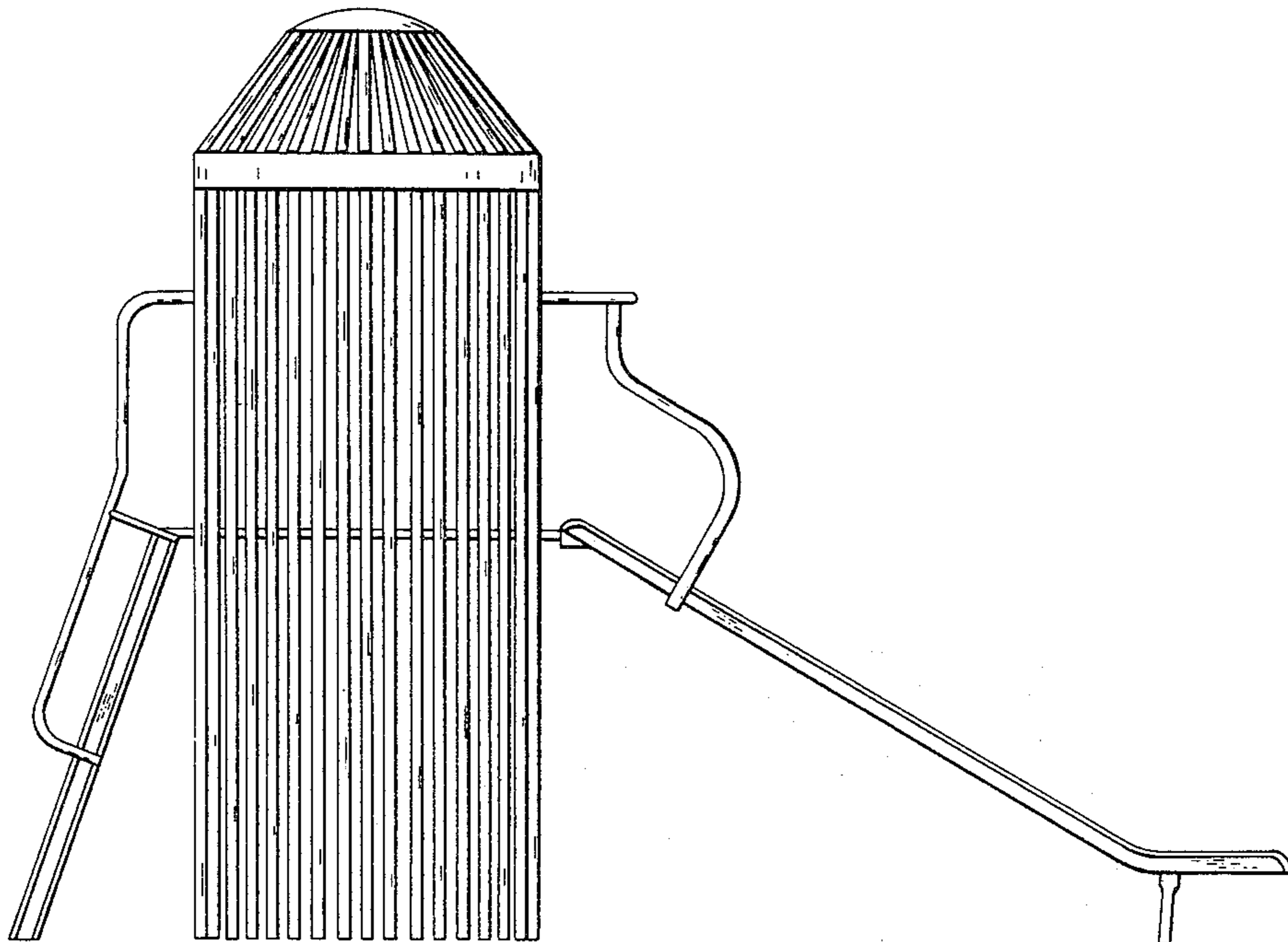
DESCRIPTION

FIG. 1 is a right side elevational view of a silo playground climber showing my new design, the left side being a mirror image thereof;

FIG. 2 is a front elevational view;

FIG. 3 is a rear elevational view of my new design, and

FIG. 4 is a top plan view.



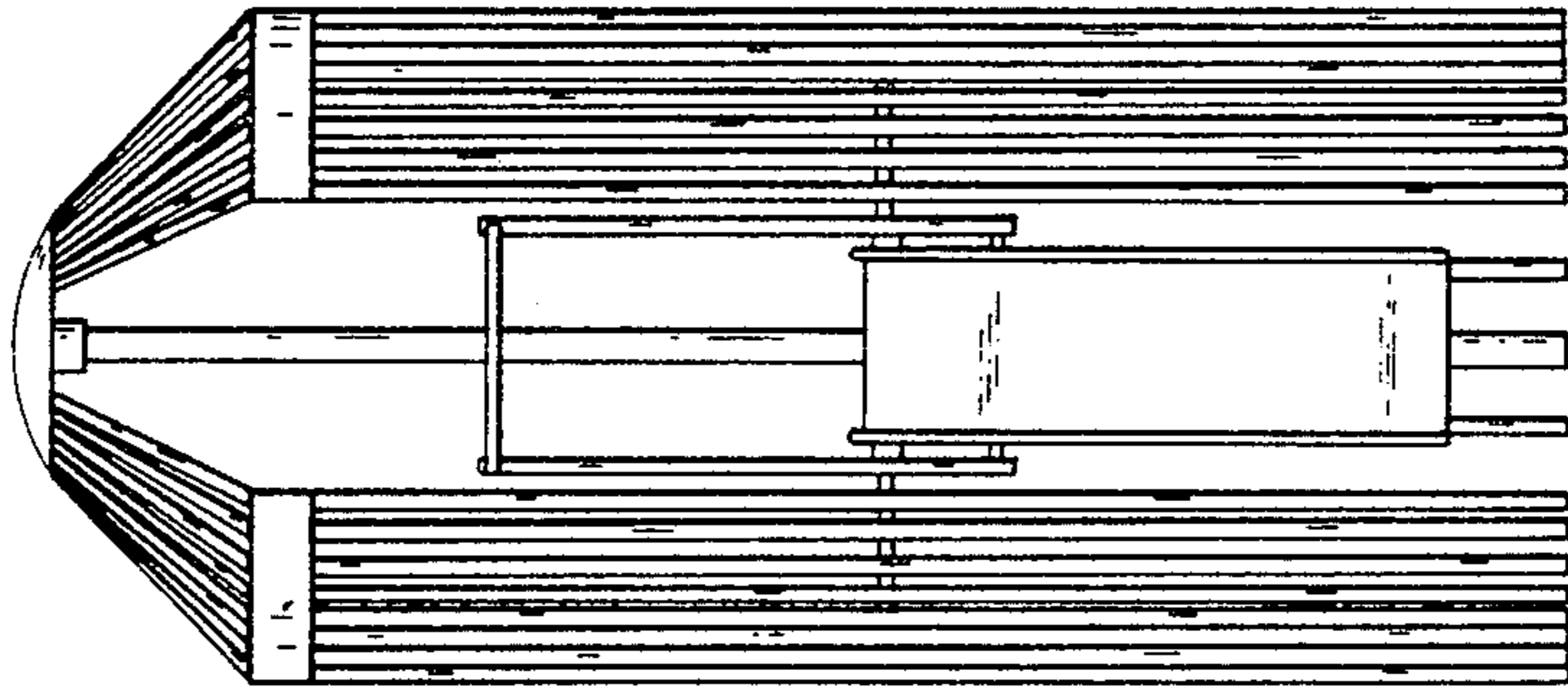


FIG. 2-

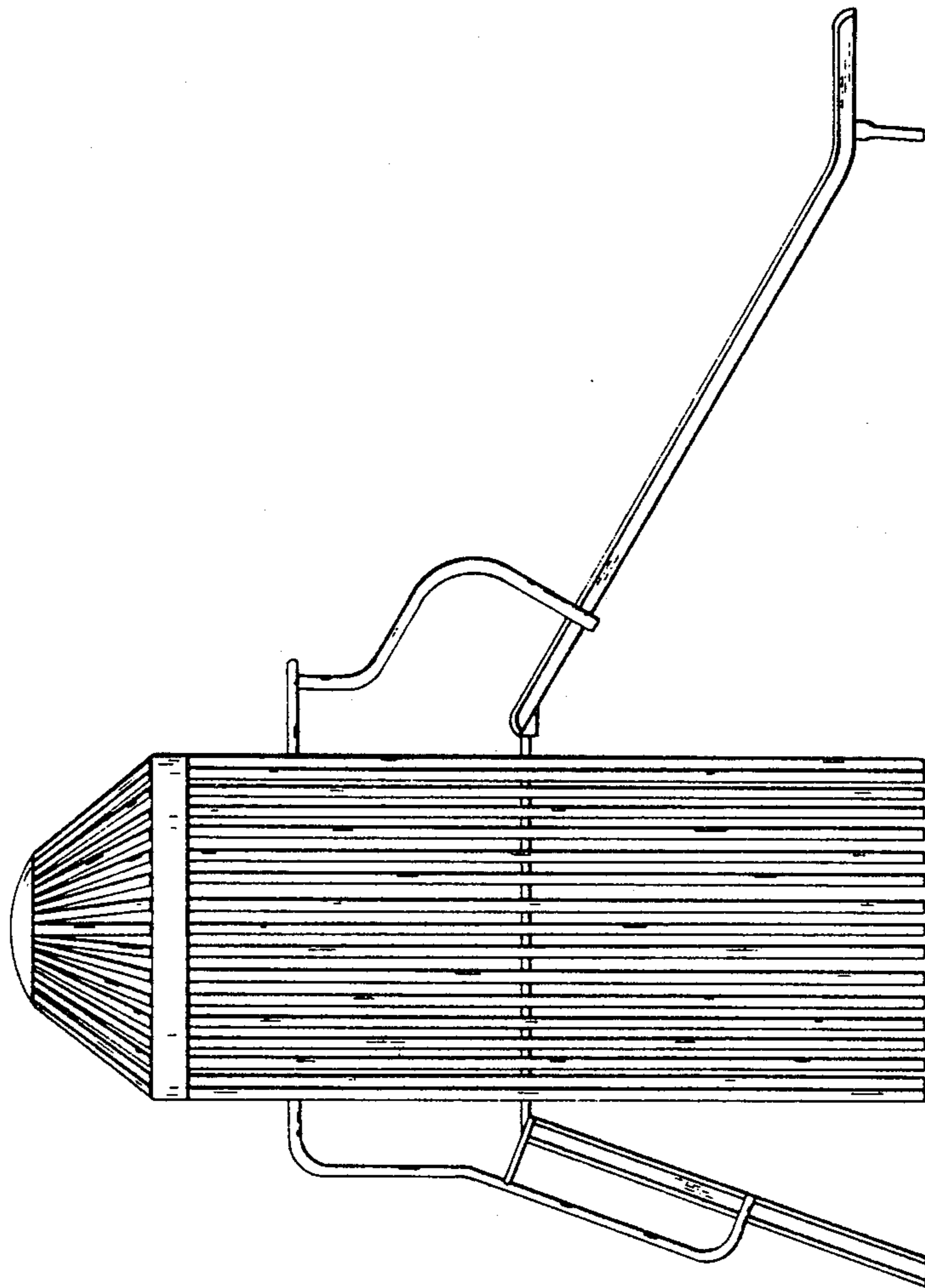


FIG. 1-

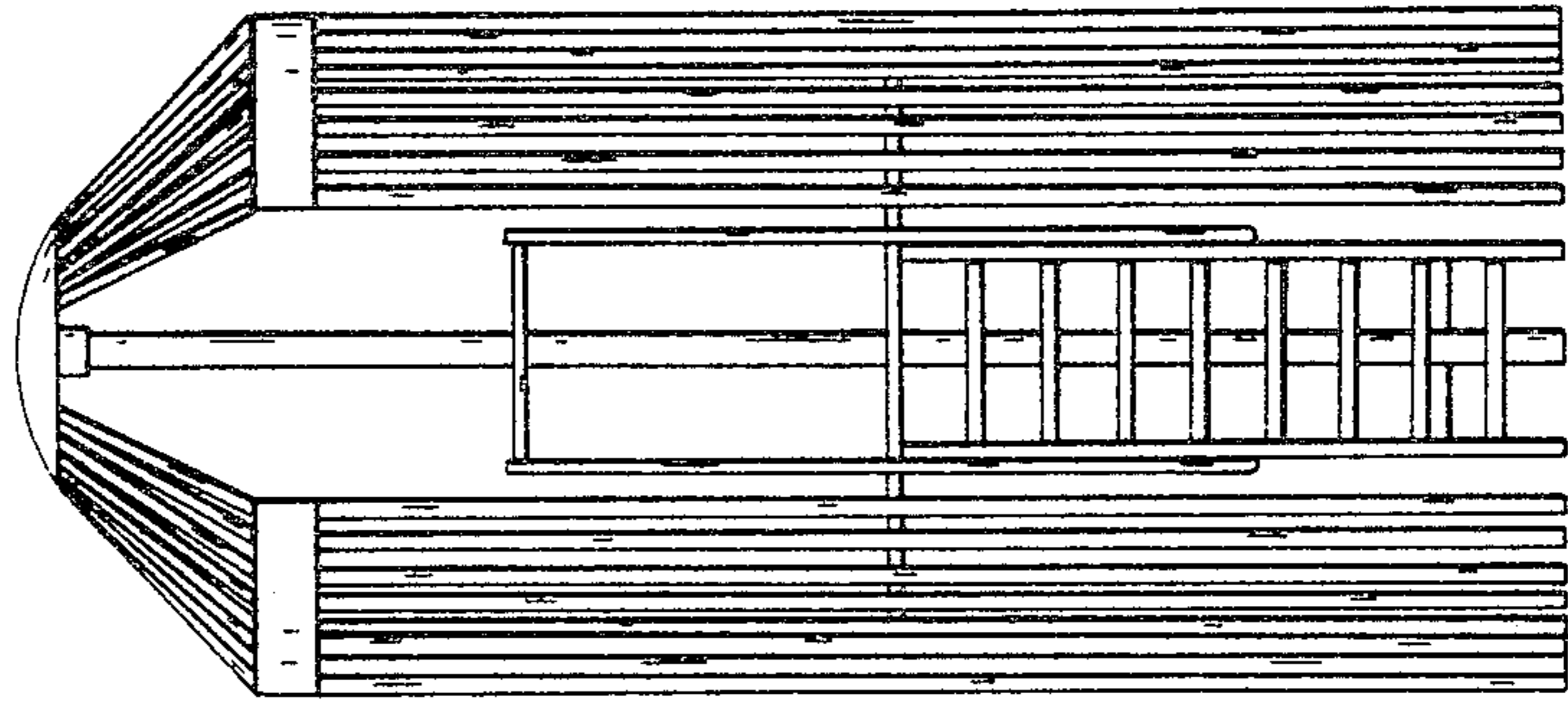


FIG. 3-

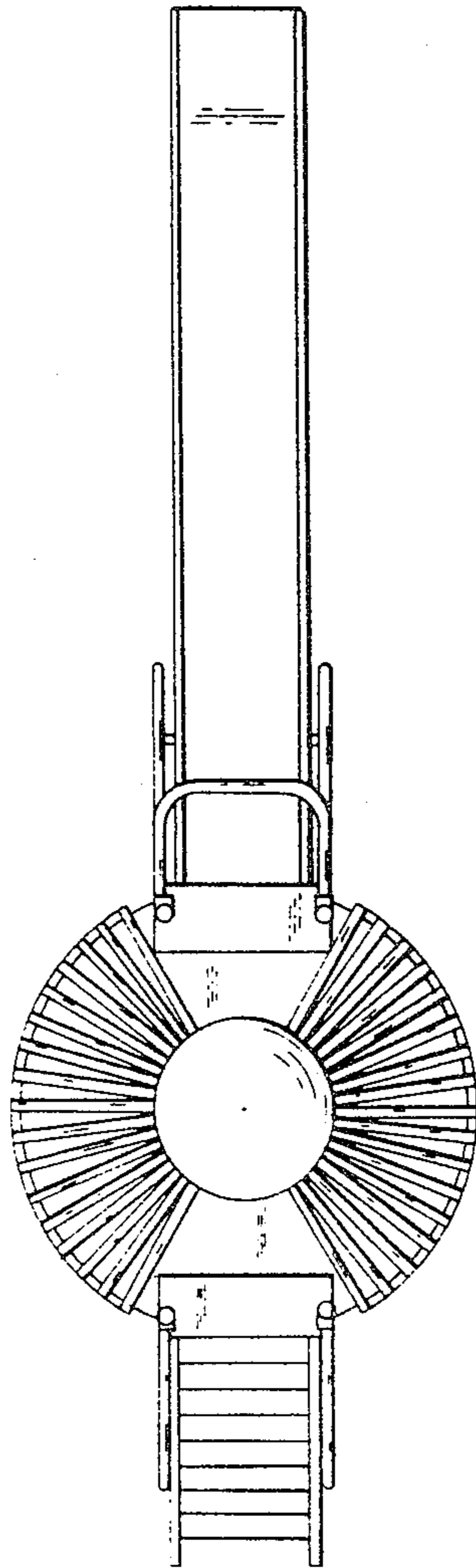


FIG. 4-