

[54] SHAPE TOY

[75] Inventor: Howard S. Kamentsky, Buffalo, N.Y.

[73] Assignee: The Quaker Oats Company, Chicago, Ill.

[**] Term: 14 Years

[21] Appl. No.: 578,672

[22] Filed: Feb. 9, 1984

[52] U.S. Cl. D21/59

[58] Field of Search D21/59, 62, 63, 66, D21/109; D18/3, 7; 446/143; D19/62; 434/258, 259

[56] References Cited

U.S. PATENT DOCUMENTS

- D. 223,847 6/1972 Laughlin D21/59
- D. 255,474 6/1980 Satten D21/109
- 4,237,650 12/1980 Goldfarb 446/141

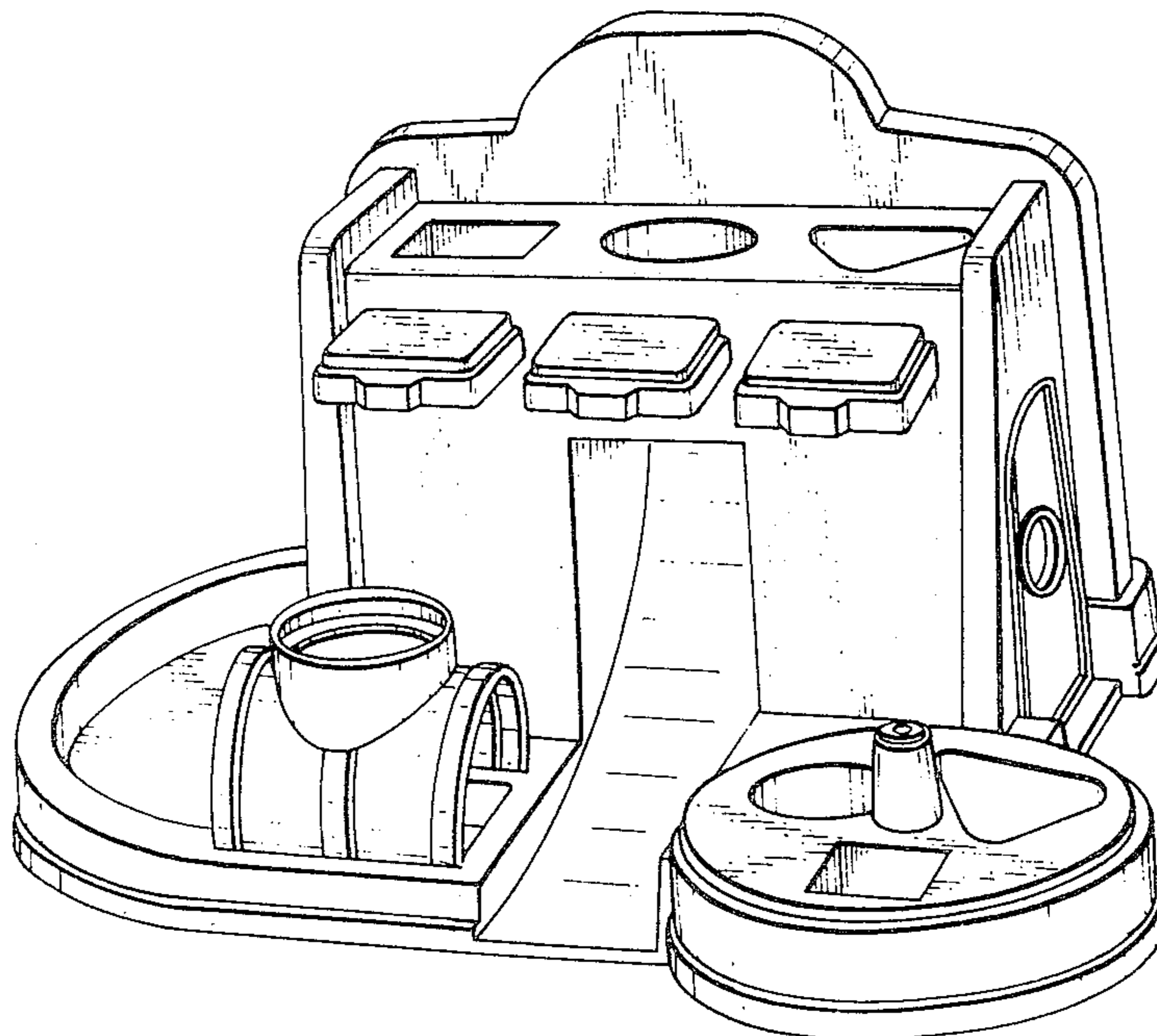
Primary Examiner—Charles A. Rademaker
Attorney, Agent, or Firm—Cumpston & Shaw

[57] CLAIM

The ornamental design for a shape toy, substantially as shown and described.

DESCRIPTION

FIG. 1 is a perspective view of the front, top and right side of a shape toy showing my new design; FIG. 2 is a right-side elevational view thereof; FIG. 3 is a left-side elevational view thereof; and FIG. 4 is a rear elevational view thereof.



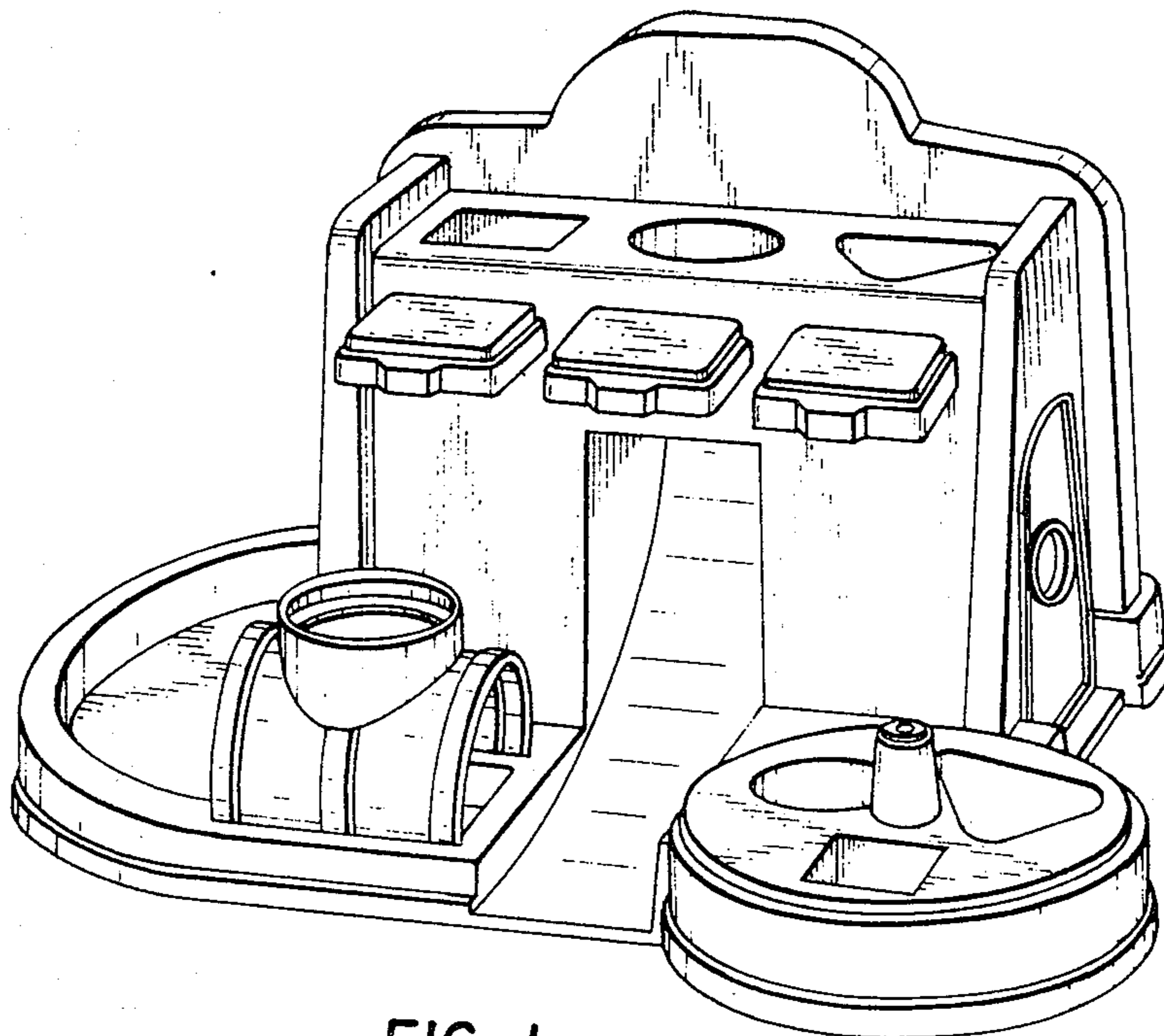


FIG. 1

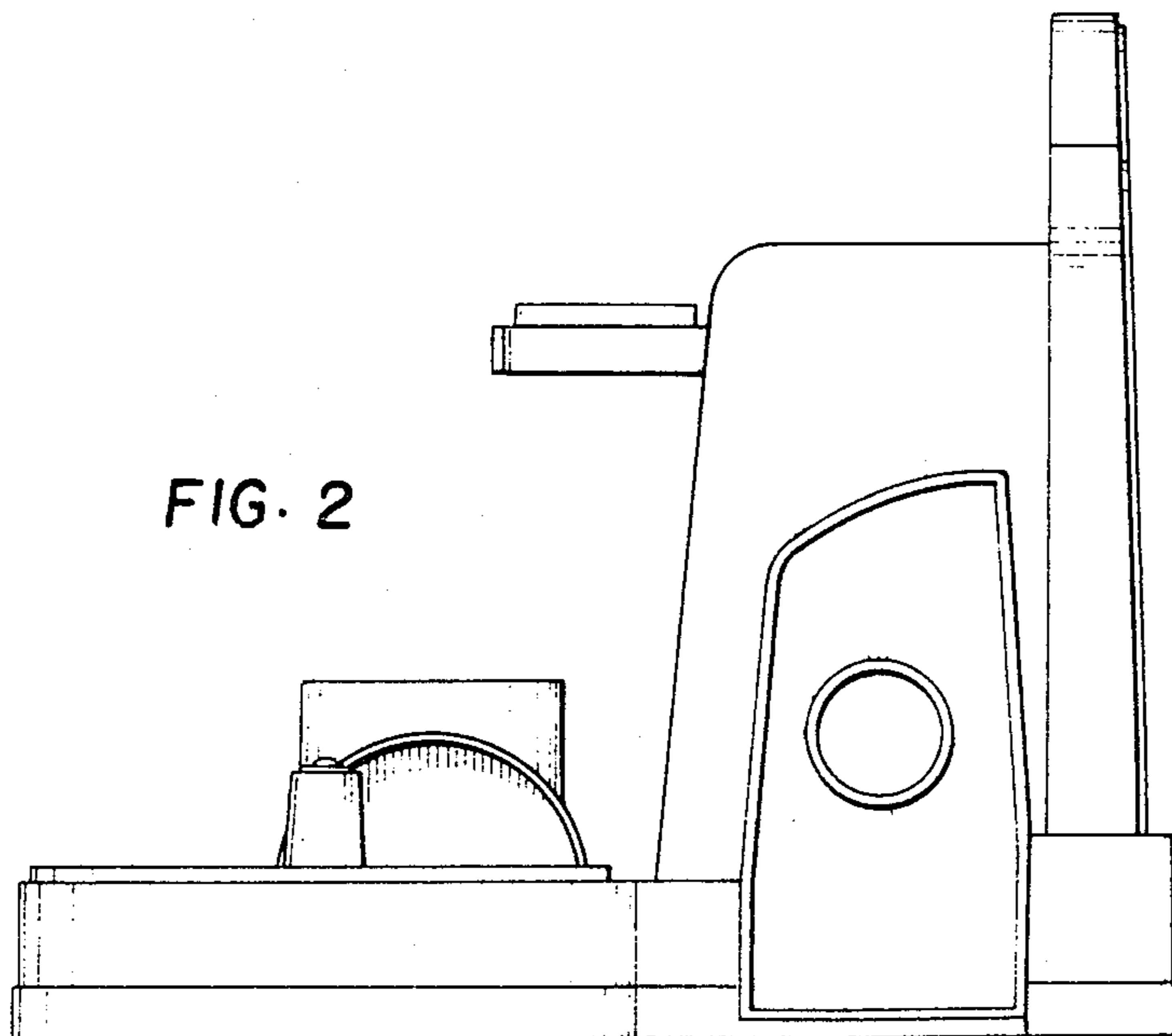


FIG. 2

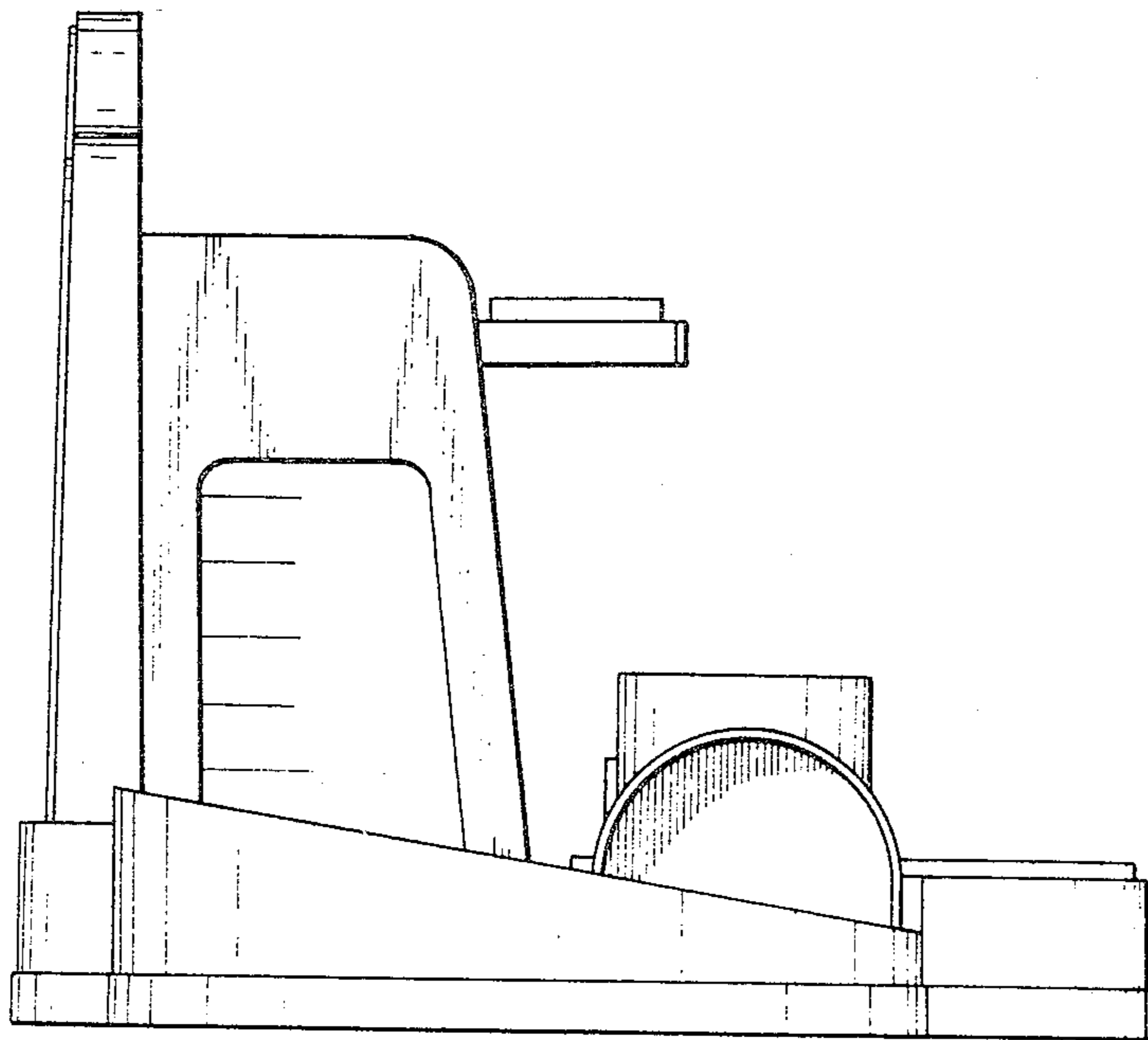


FIG. 3

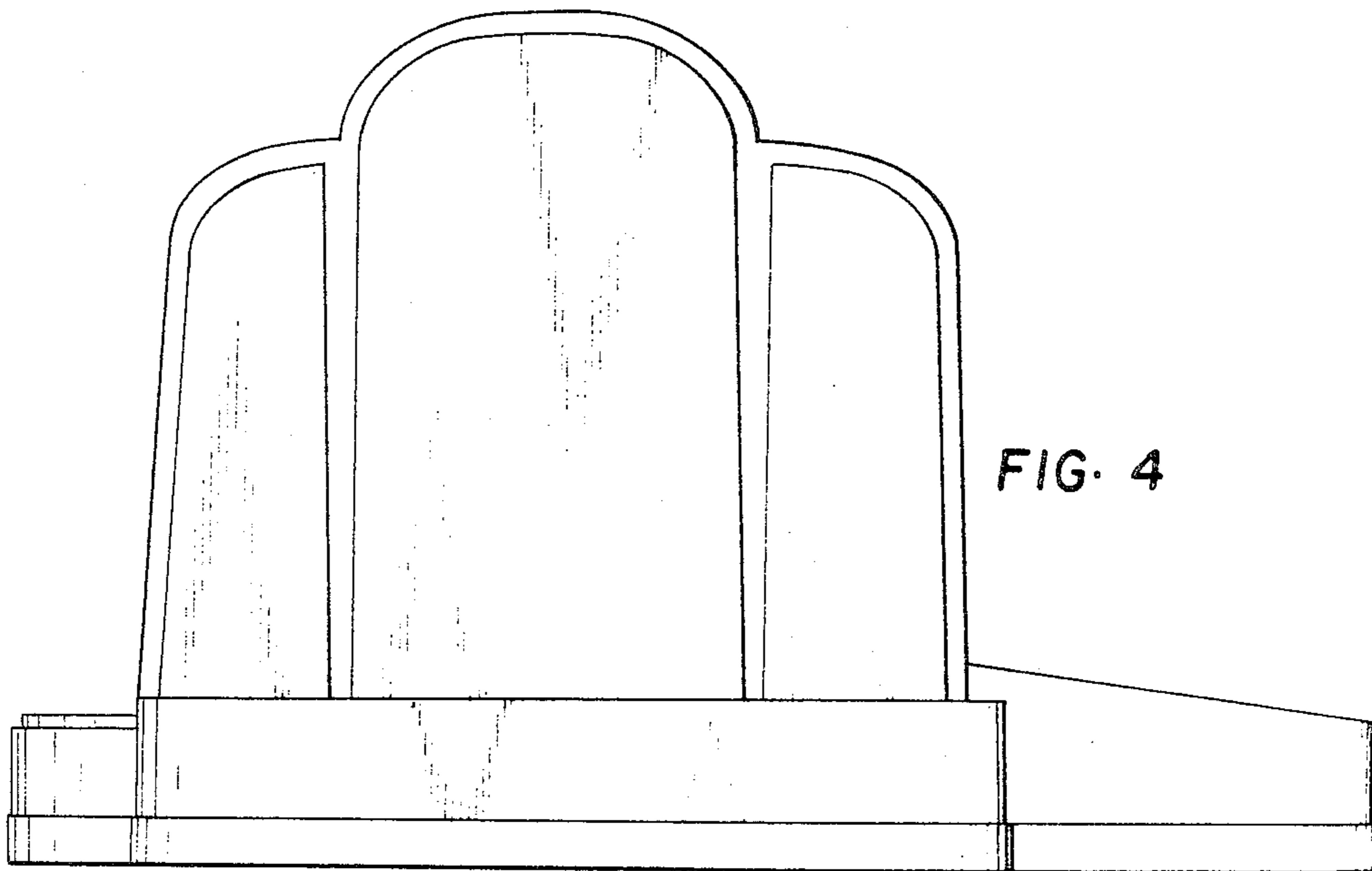


FIG. 4