

[54] STAMP

[75] Inventors: Mitsuhiro Iwasaki; Takashi Ichikawa, both of Nagoya, Japan

[73] Assignee: Shachihata Industrial Co., Ltd., Japan

[\*\*] Term: 14 Years

[21] Appl. No.: 629,319

[22] Filed: Jul. 10, 1984

[30] Foreign Application Priority Data

Jan. 27, 1984 [JP] Japan ..... 59-2782

[52] U.S. Cl. .... D18/15

[58] Field of Search ..... D18/13-15, D18/17, 18, 22; 101/111, 327, 368, 371-373, 405, 406

[56] References Cited

U.S. PATENT DOCUMENTS

- D. 280,644 9/1985 Ichikawa ..... D18/15
- 1,189,032 6/1916 Angel ..... 101/372 X
- 4,054,093 10/1977 Funahashi ..... 101/372 X

FOREIGN PATENT DOCUMENTS

- 388772 2/1978 Japan .
- 604176 4/1983 Japan .
- 442263 2/1984 Japan .
- 28161 of 1913 United Kingdom ..... 101/406

Primary Examiner—Louis S. Zarfes  
Attorney, Agent, or Firm—Brumbaugh, Graves, Donohue & Raymond

[57] CLAIM

The ornamental design for a stamp, as shown and described.

DESCRIPTION

FIG. 1 is a top perspective view of a stamp showing our new present design;  
FIG. 2 is a bottom perspective view of the stamp;  
FIG. 3 is a front elevational view of the stamp;  
FIG. 4 is a rear elevational view thereof;  
FIG. 5 is a left side elevational view thereof;  
FIG. 6 is a top plan view thereof;  
FIG. 7 is a bottom plan view thereof; and  
FIG. 8 is a vertical sectional view thereof.

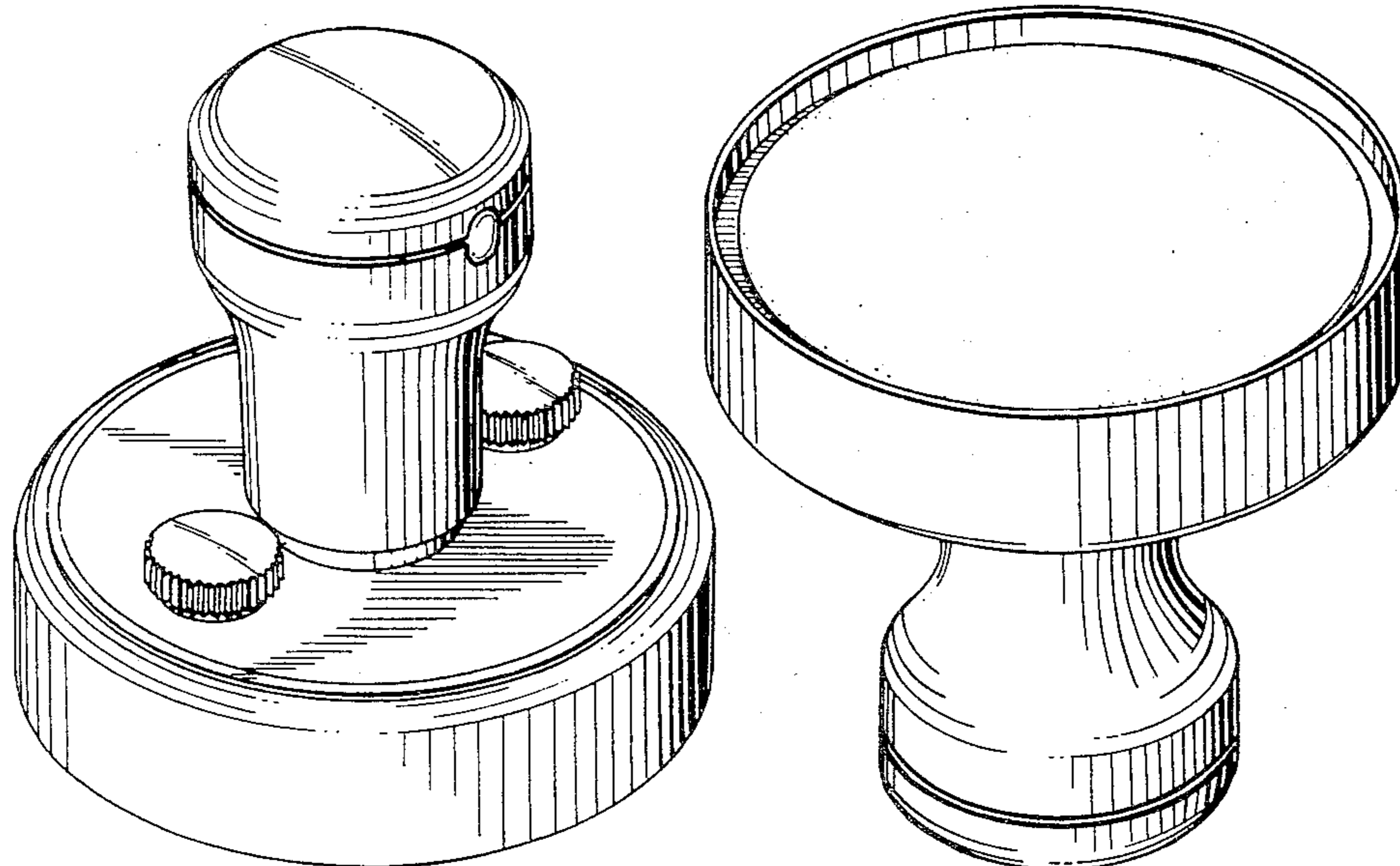


FIG. 1

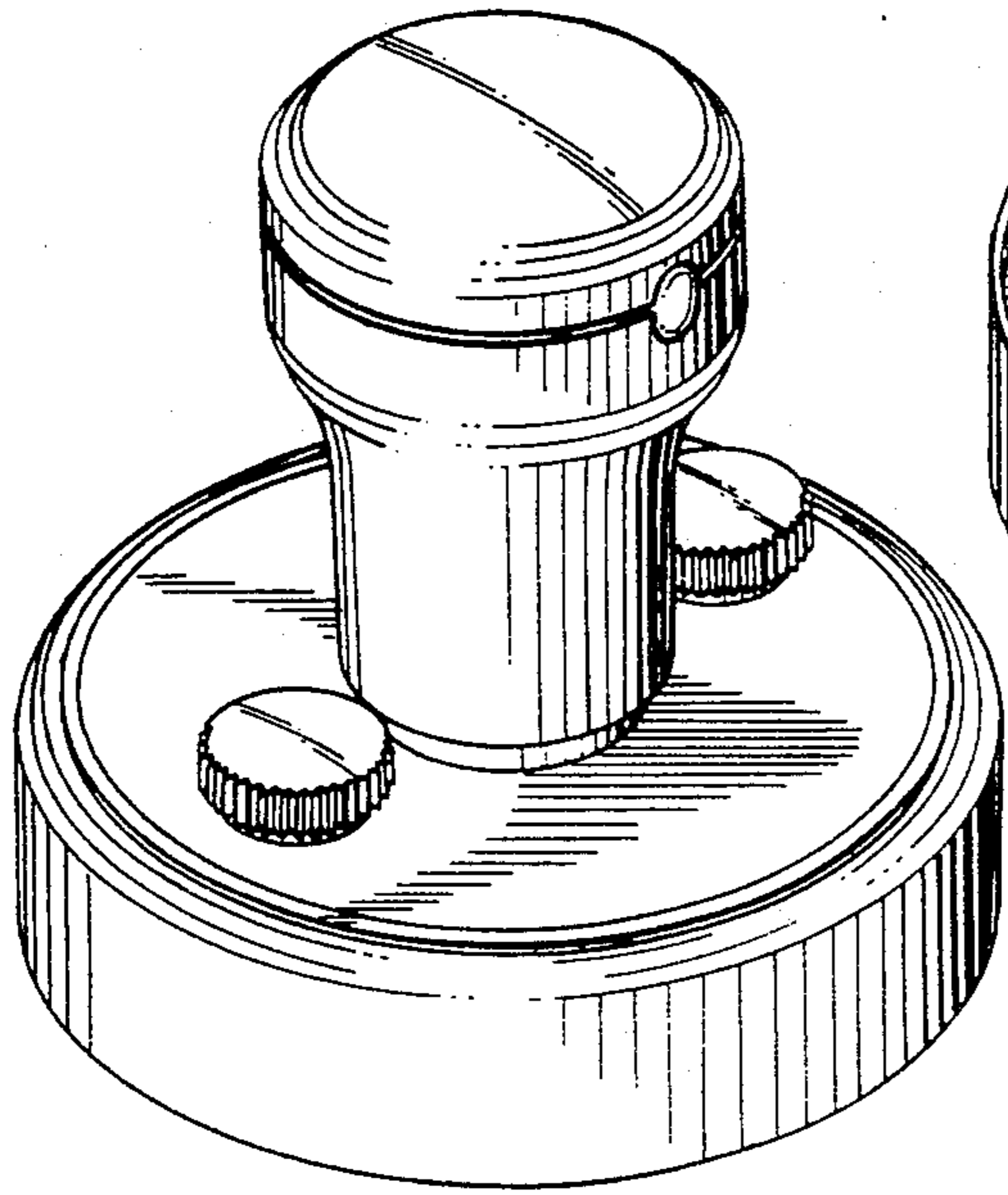


FIG. 2

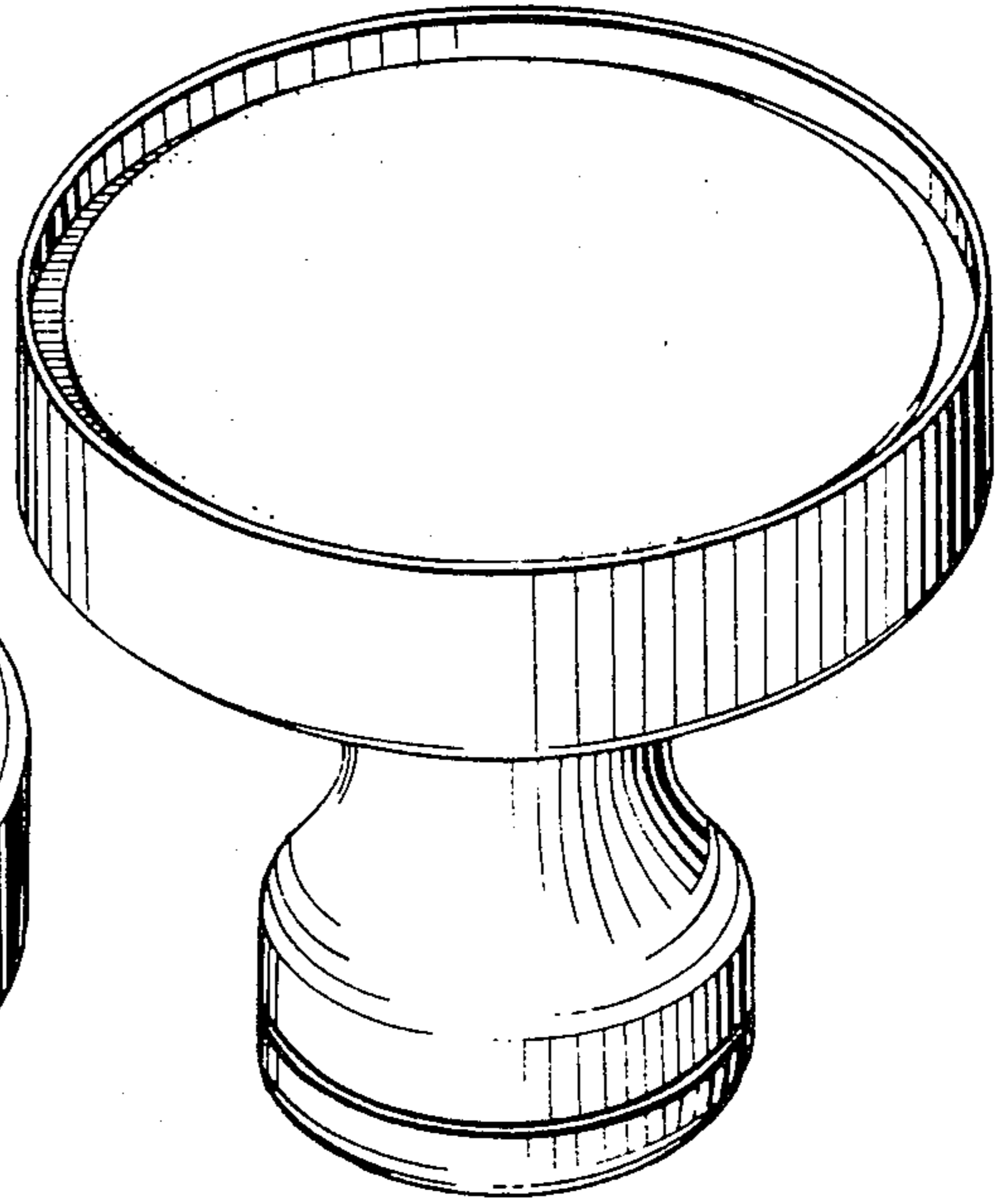


FIG. 3

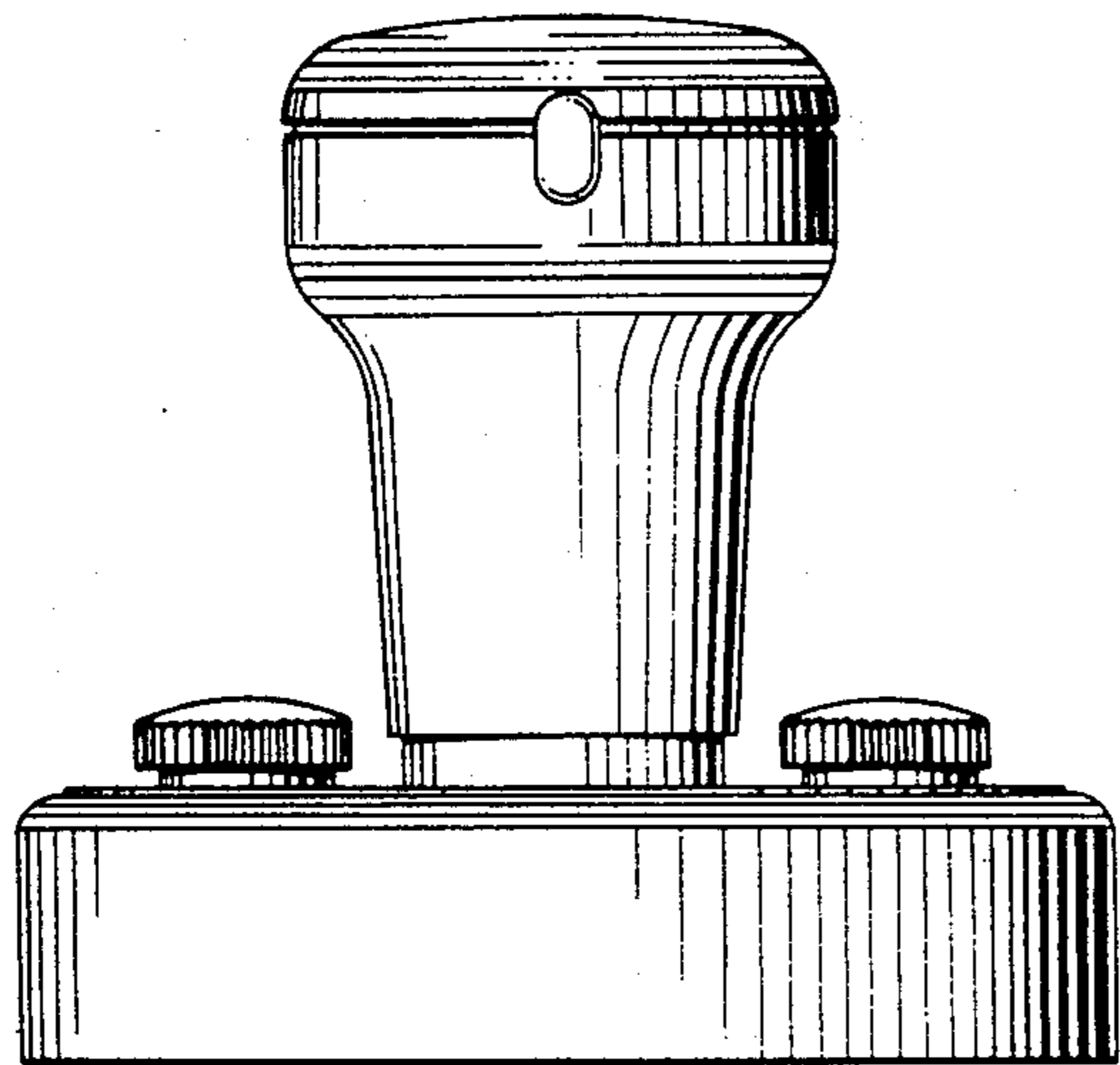


FIG. 4

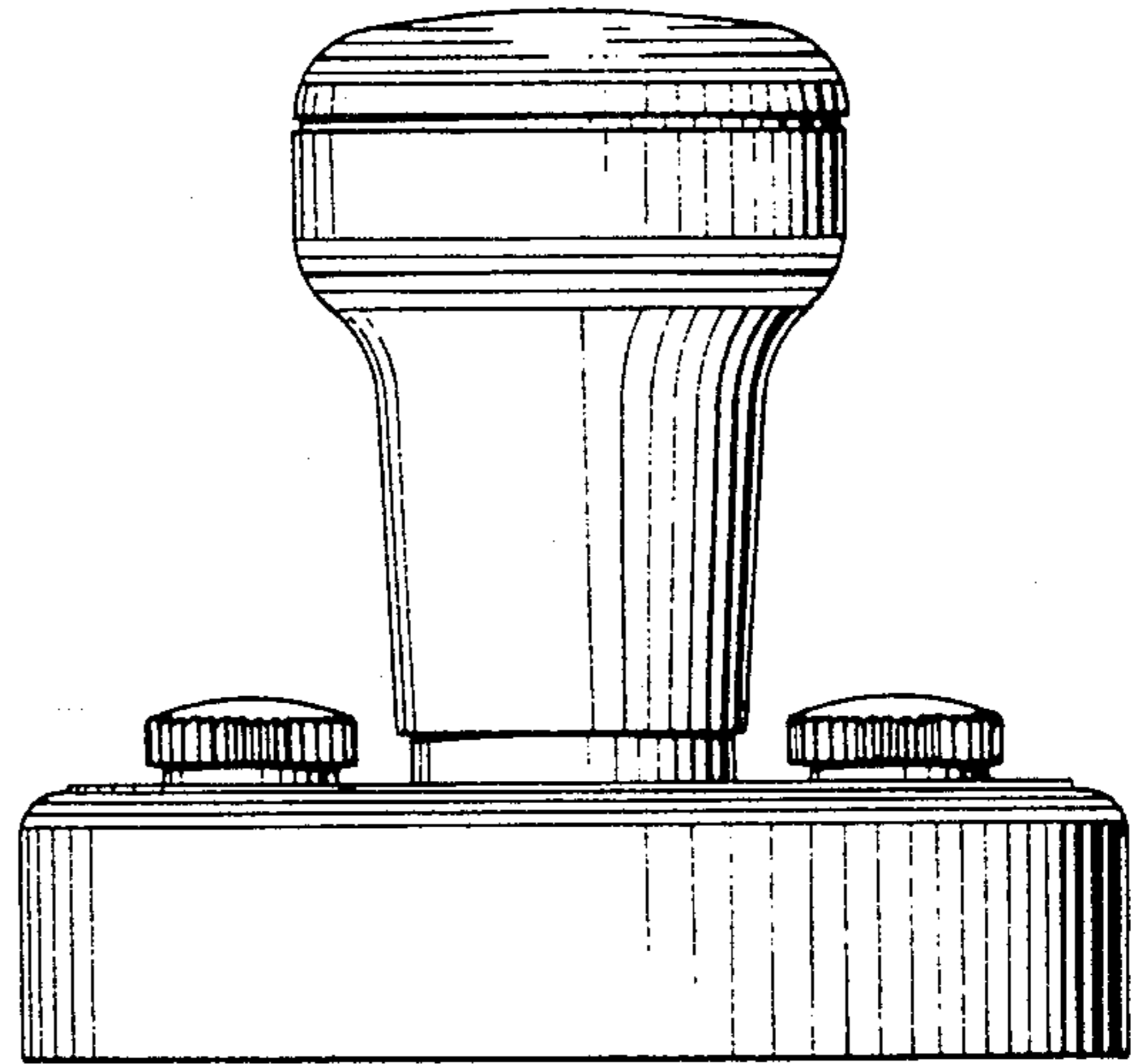


FIG. 6

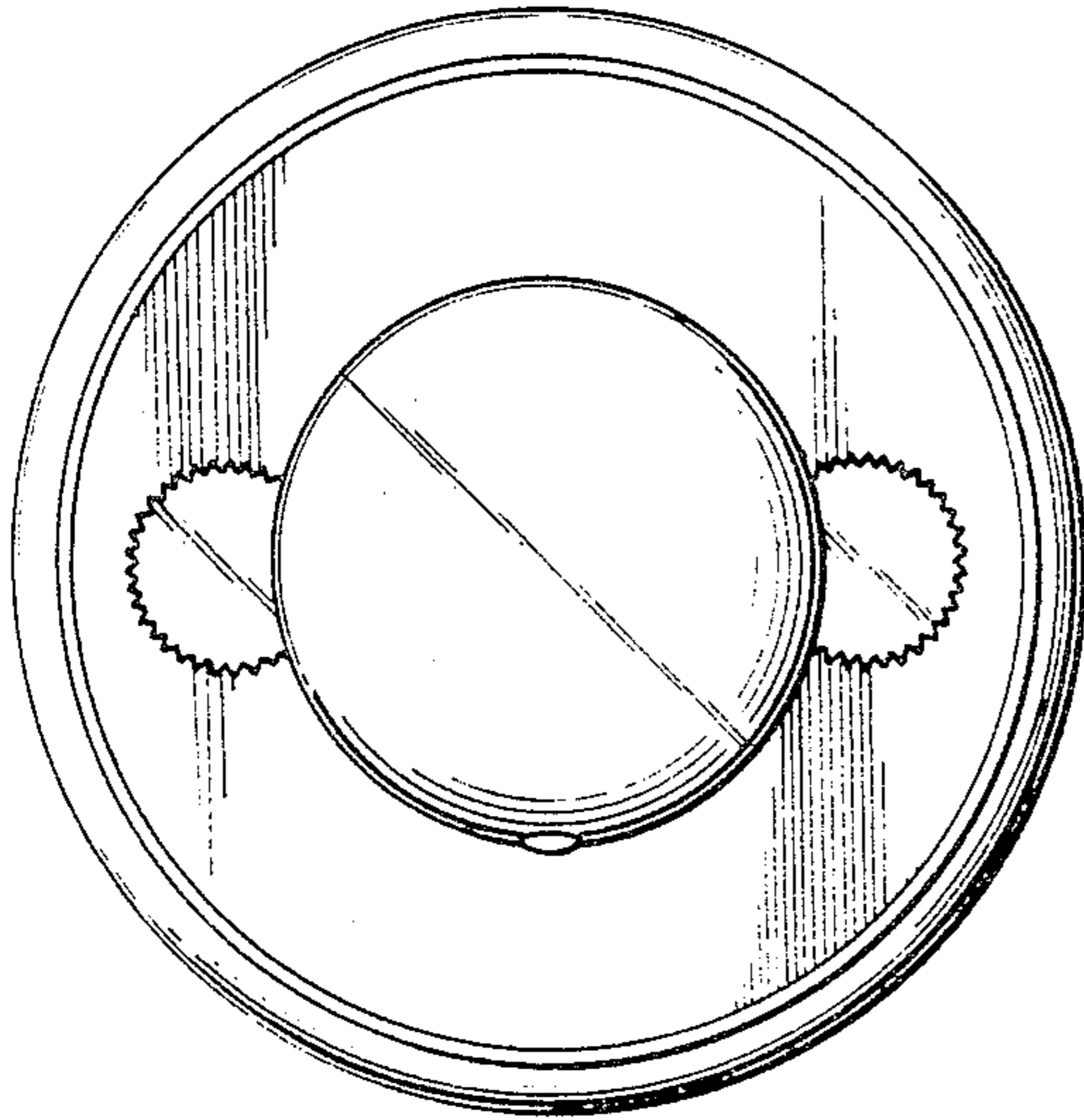


FIG. 7

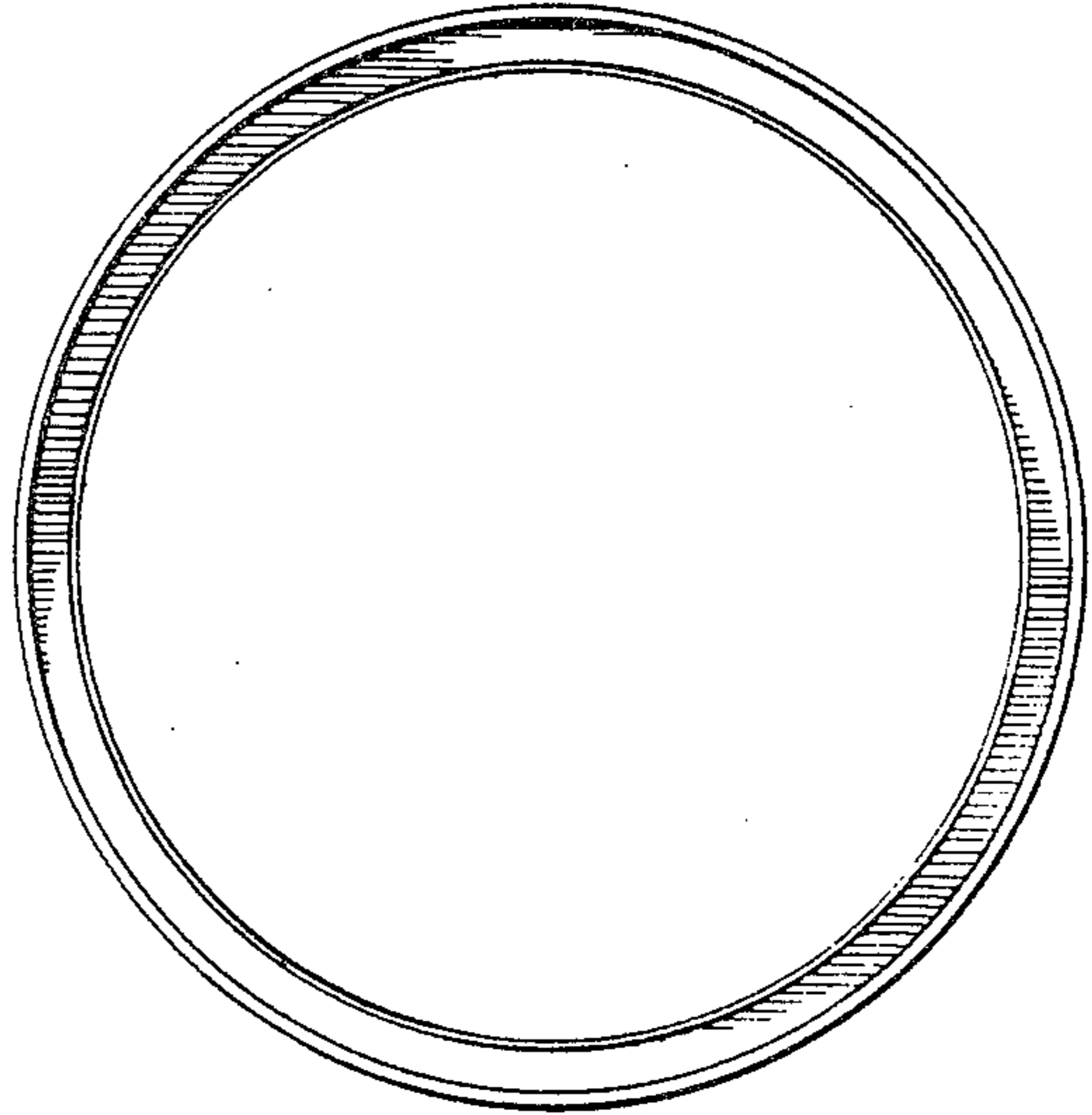


FIG. 5

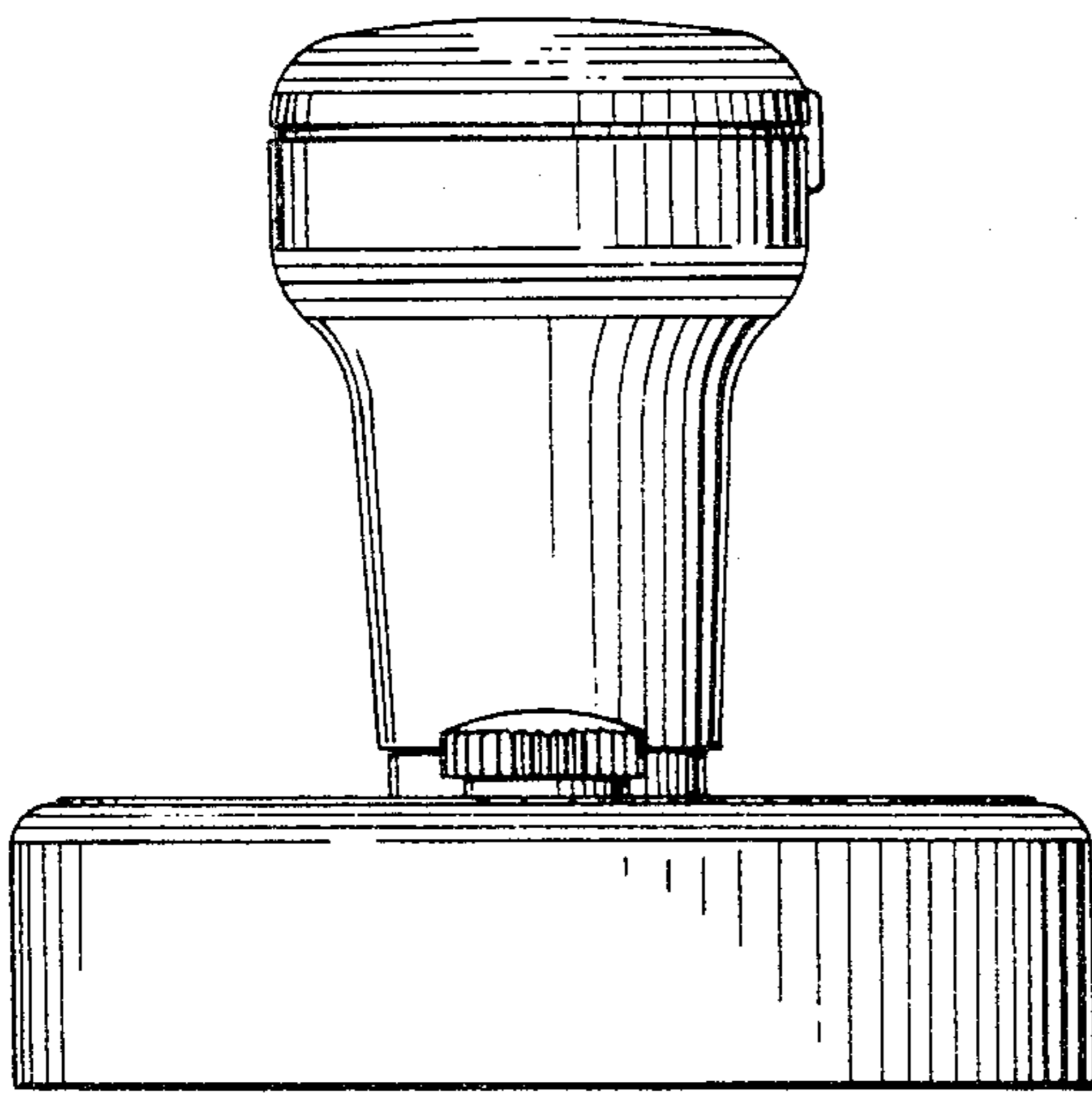


FIG. 8

