

# United States Patent [19]

Kuroki

[11] Patent Number: **Des. 284,013**

[45] Date of Patent: **\*\* May 27, 1986**

[54] **PRINTER**

[75] Inventor: **Nobufusa Kuroki, Machida, Japan**

[73] Assignee: **Janome Sewing Machine Co. Ltd., Tokyo, Japan**

[\*\*] Term: **14 Years**

[21] Appl. No.: **597,526**

[22] Filed: **Apr. 6, 1984**

[30] **Foreign Application Priority Data**

Mar. 21, 1984 [JP] Japan ..... 59-10622  
[52] U.S. Cl. .... **D18/13; D14/111**  
[58] Field of Search ..... D18/13, 22; D14/111;  
400/689-694

[56] **References Cited**

**U.S. PATENT DOCUMENTS**

D. 269,782 7/1983 Canning et al. .... D18/13 X

D. 279,292 6/1985 Maruyama ..... D14/111  
D. 280,901 10/1985 Fong et al. .... D14/111  
4,493,573 1/1985 Hashimoto et al. .... 400/490.4

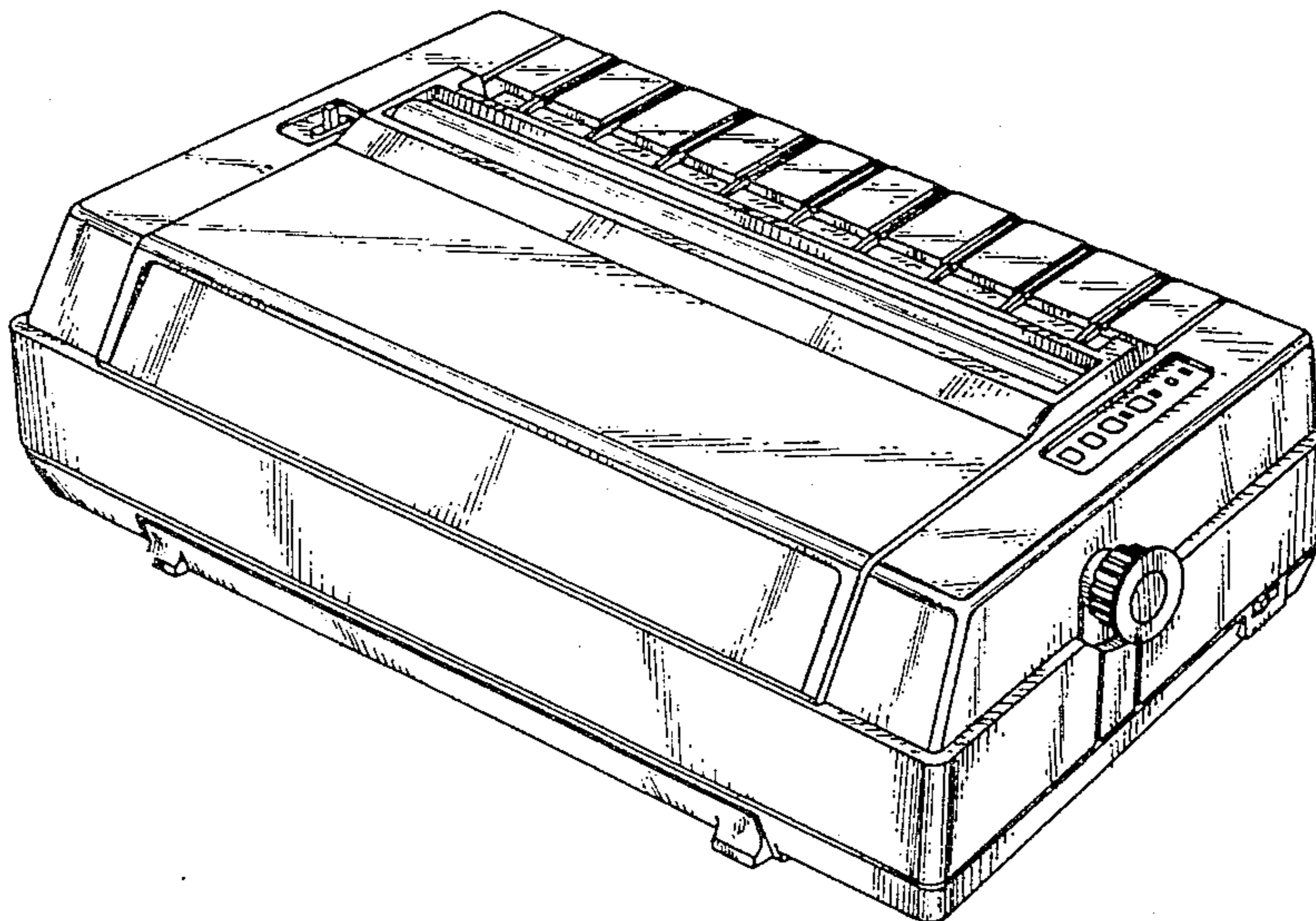
*Primary Examiner*—Louis S. Zarfes  
*Attorney, Agent, or Firm*—Michael J. Striker

[57] **CLAIM**

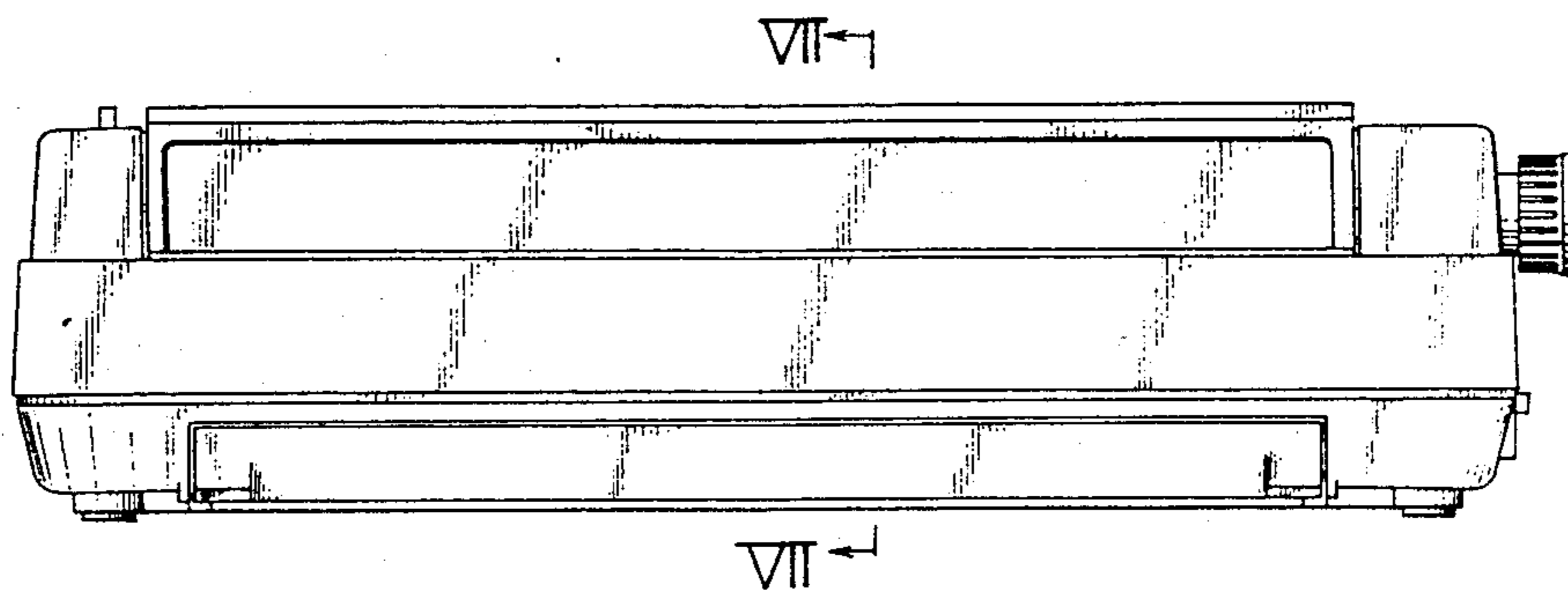
The ornamental design for a printer, substantially as shown and described.

**DESCRIPTION**

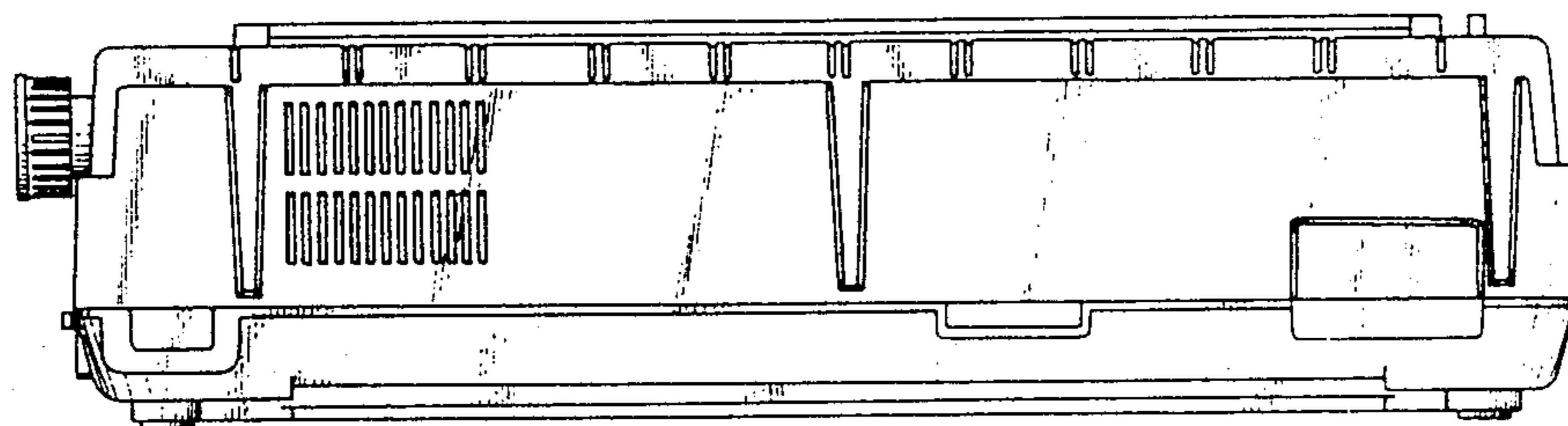
FIG. 1 is a front elevational view of a printer showing my new design;  
FIG. 2 is a rear elevational view thereof;  
FIG. 3 is a right side elevational view thereof;  
FIG. 4 is a top plan view thereof;  
FIG. 5 is a bottom plan view thereof;  
FIG. 6 is a left side elevational view thereof;  
FIG. 7 is a cross-sectional view along plane VII—VII, omitting inner structure; and  
FIG. 8 is a top front right perspective view.



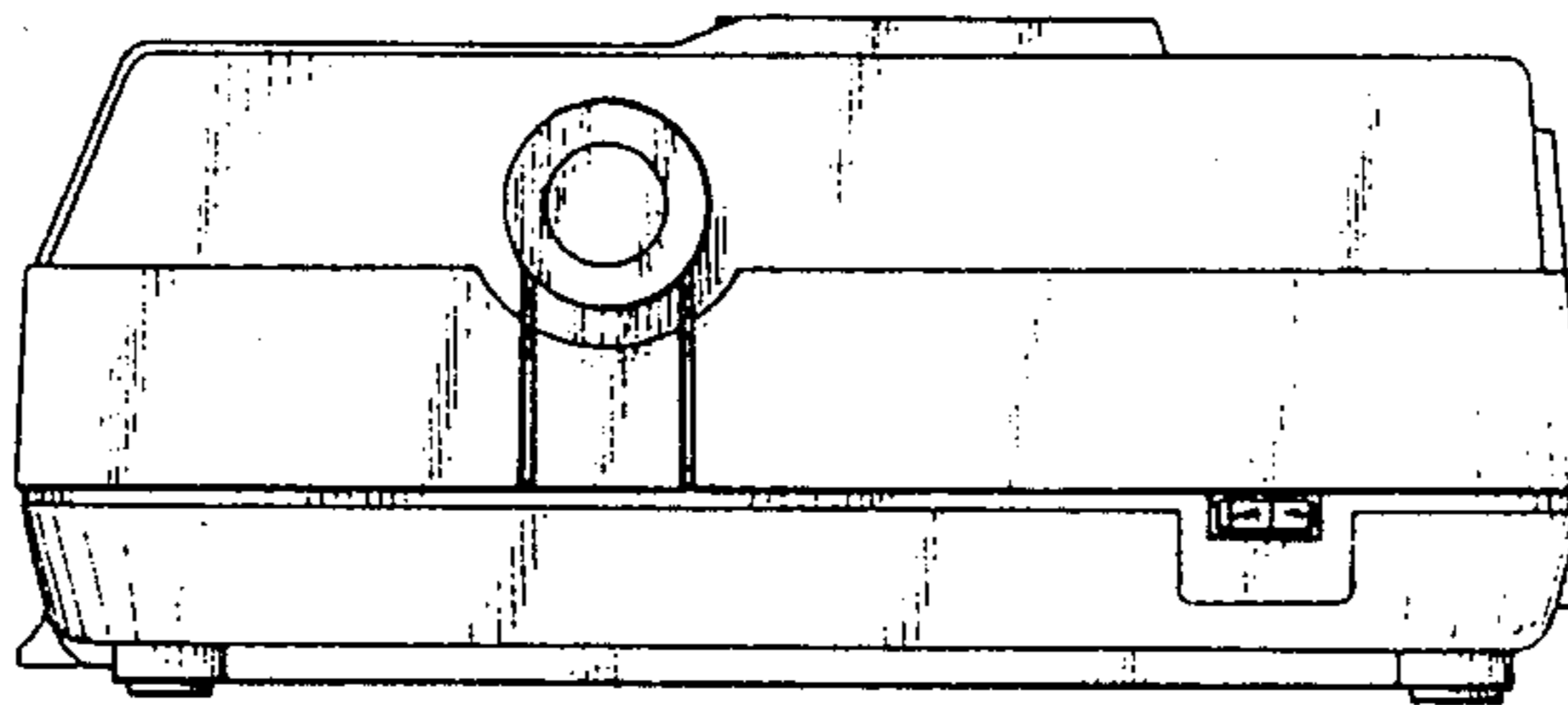
FIG\_1



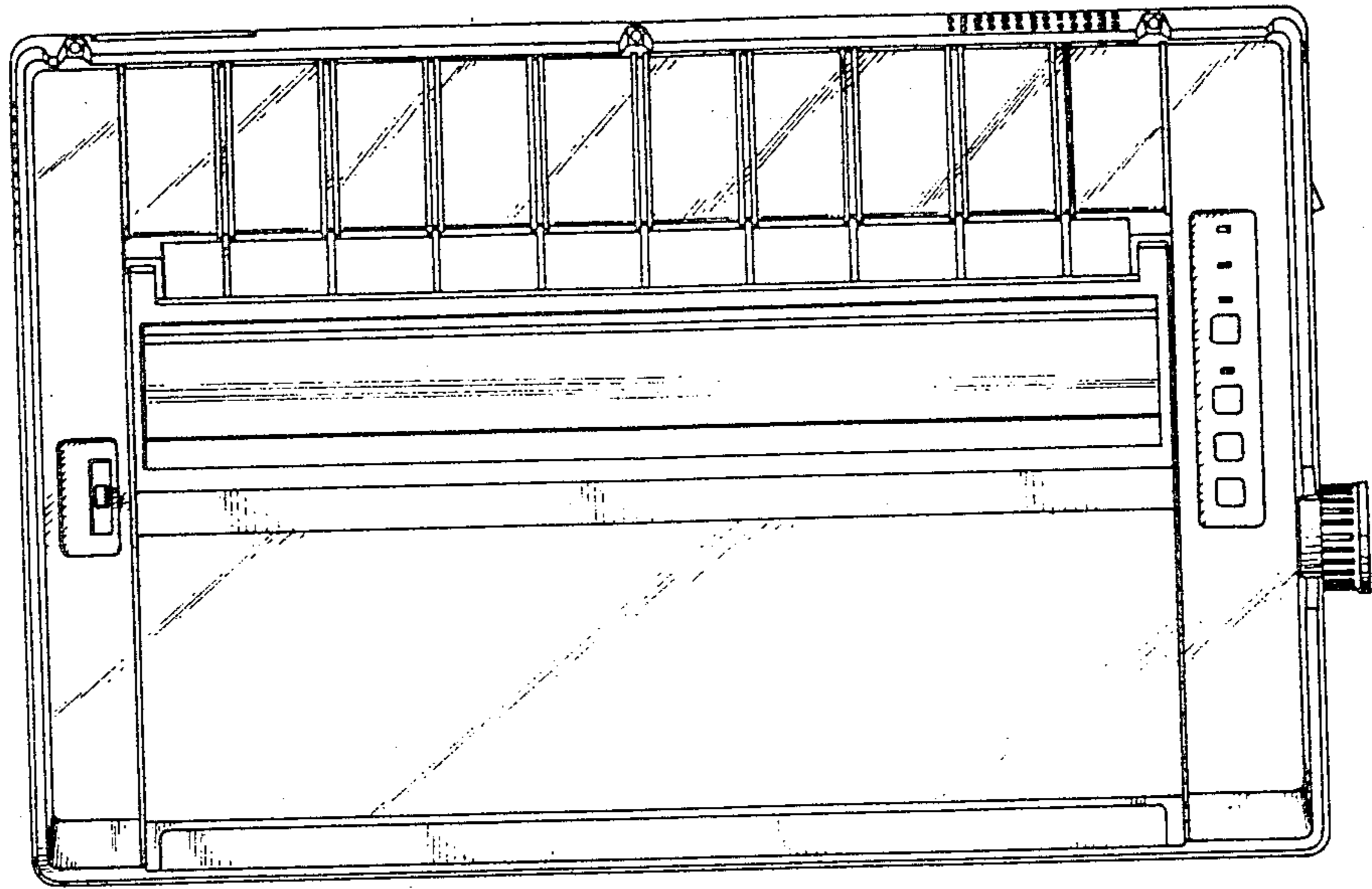
FIG\_2



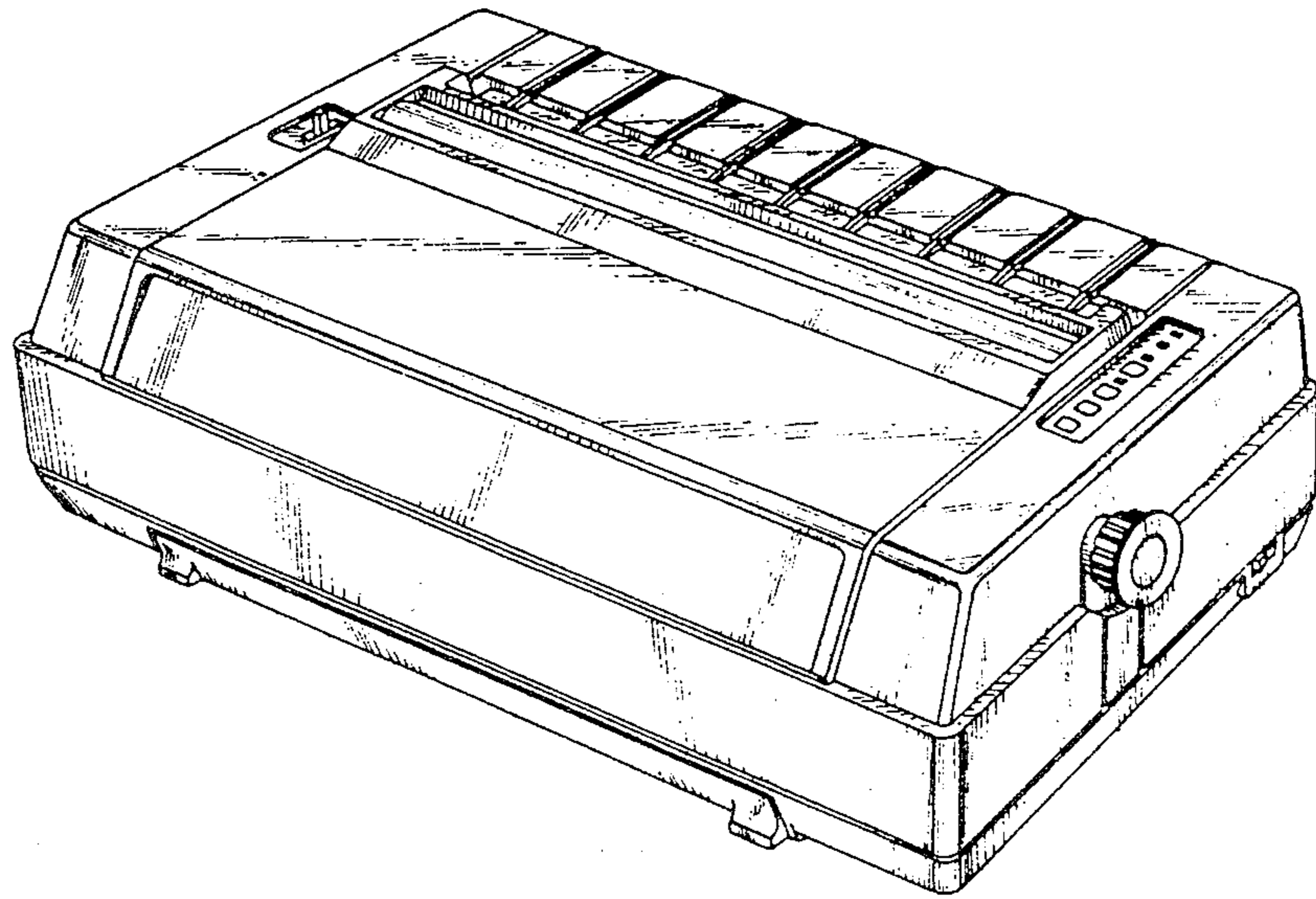
FIG\_3



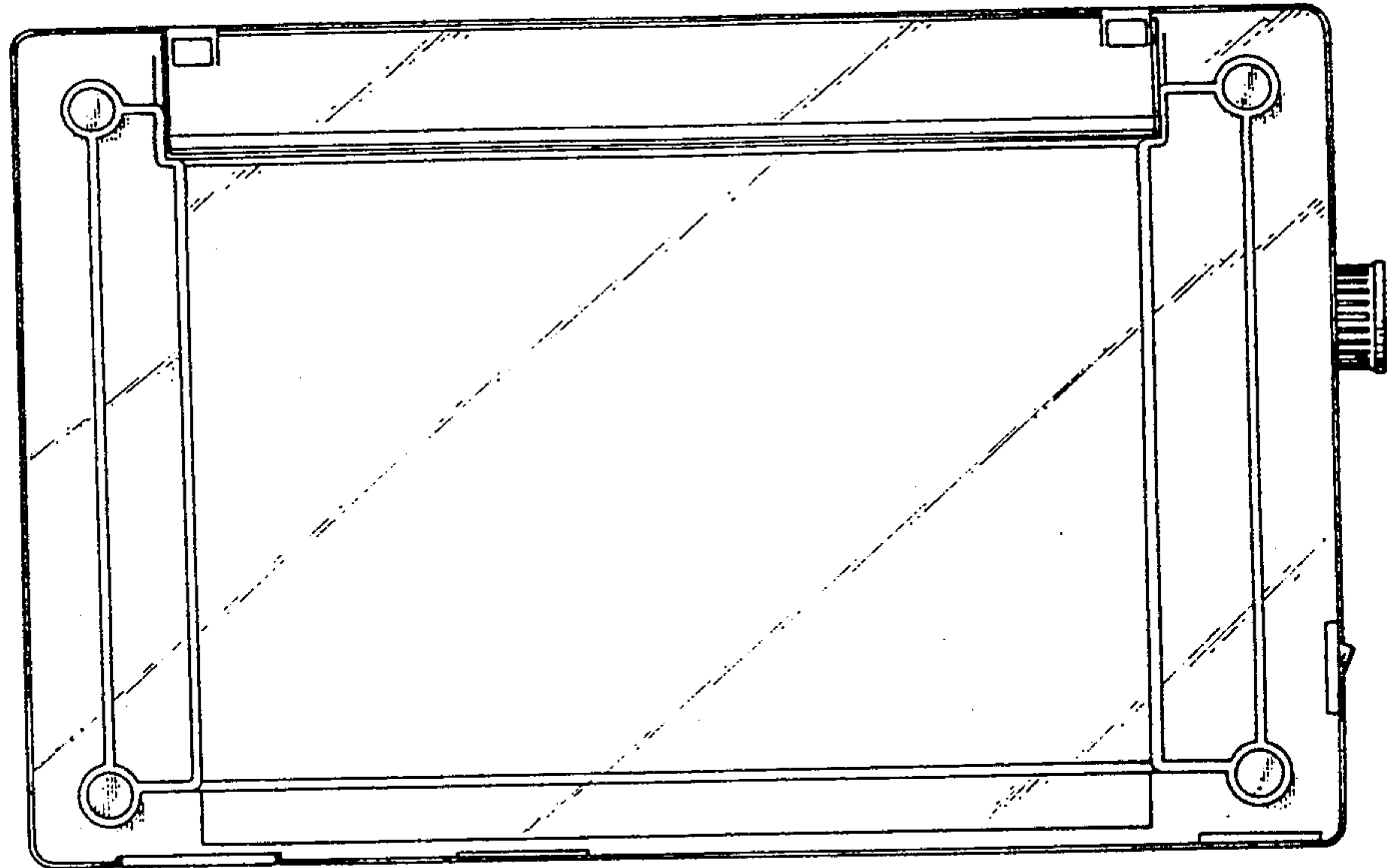
FIG\_4



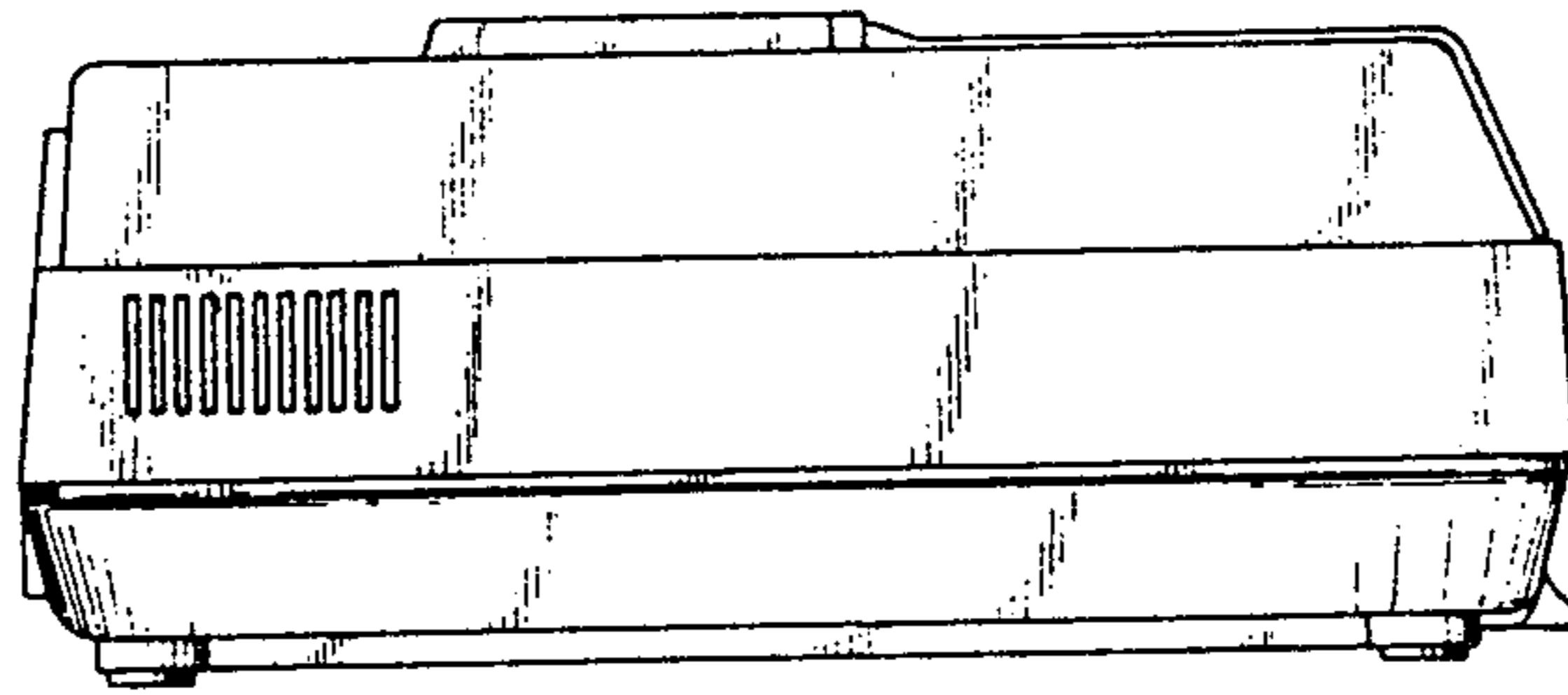
FIG\_8



FIG\_5



FIG\_6



FIG\_7

