

[54] KEYBOARD PANEL

[75] Inventor: Thomas A. Anzelone, Fort Lauderdale, Fla.

[73] Assignee: International Business Machines Corporation, Armonk, N.Y.

[**] Term: 14 Years

[21] Appl. No.: 532,645

[22] Filed: Sep. 15, 1983

[52] U.S. Cl. D14/115

[58] Field of Search D14/100, 117; 340/365 R, 706, 711; 235/145 R

[56] References Cited

U.S. PATENT DOCUMENTS

D. 270,911 10/1983 Endt D14/100

OTHER PUBLICATIONS

Computer Design, 1-1981, p. 29, Digital Engineering VT100 Terminal, Keyboard.

Computer Design, 4-1981, p. 94, Ann Arbor Terminals, Inc., Keyboard (right).

Computer Design, 4-1981, p. 106, Texas Instruments, Video Display Terminal Keyboard.

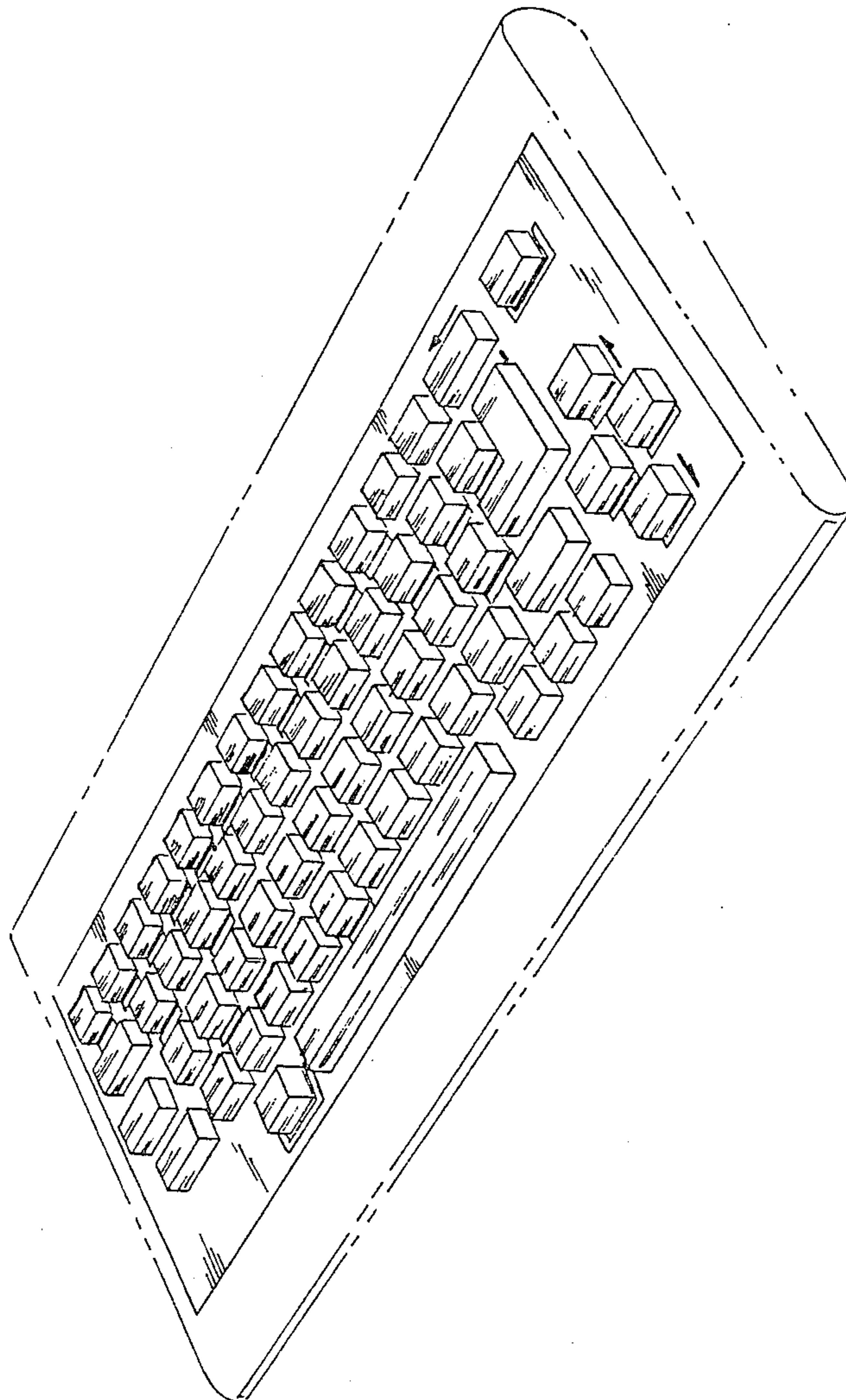
Primary Examiner—Susan J. Lucas

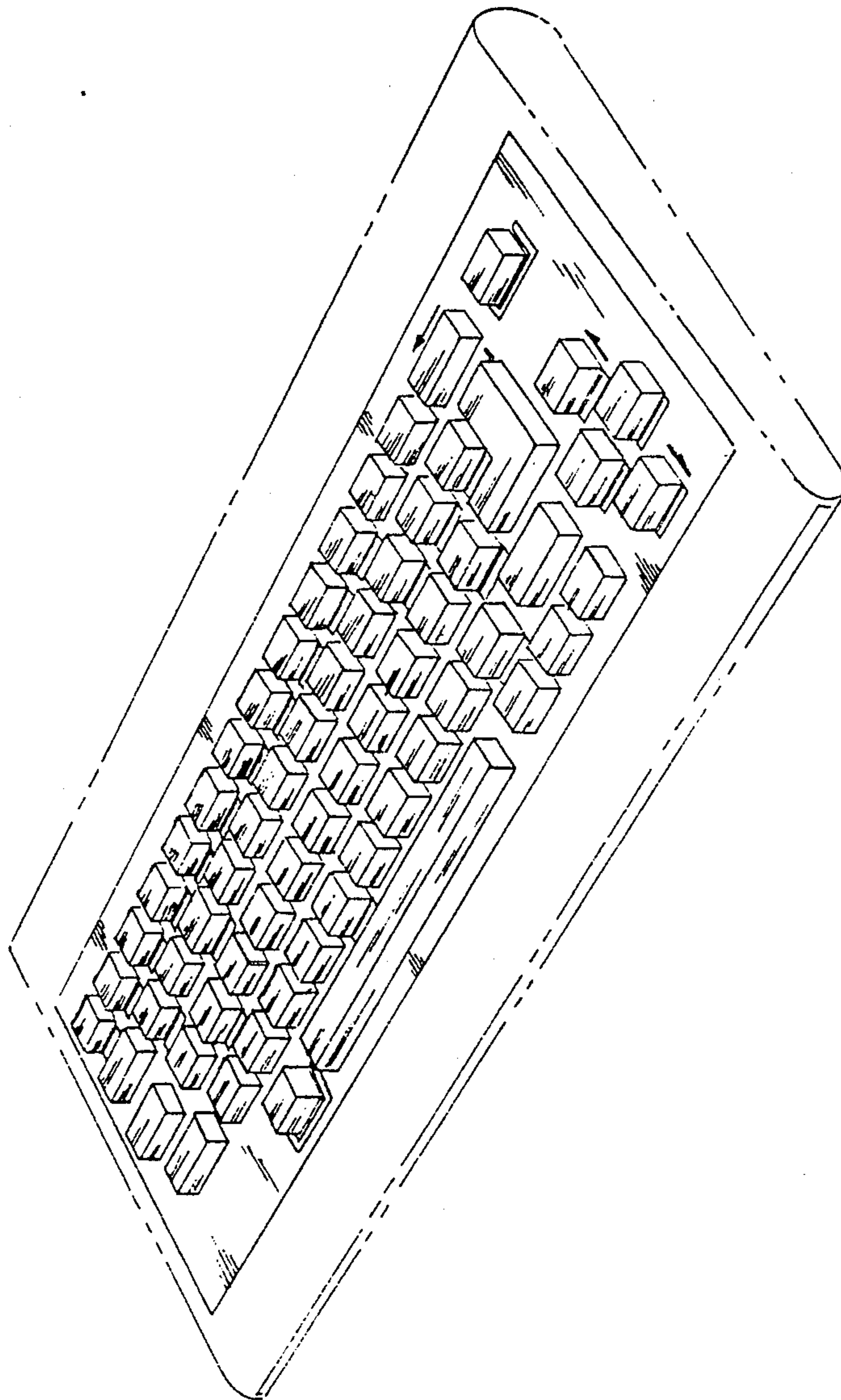
[57] CLAIM

The ornamental design for a keyboard panel, as shown and described.

DESCRIPTION

The FIGURE is a top front perspective view of the keyboard panel showing my new design, the housing being shown in broken lines for illustrative purposes only.





Disclaimer

D. 284,009.—*Thomas A. Anzelone*, Fort Lauderdale, Fla. KEYBOARD PANEL.
Patent dated May 27, 1986. Disclaimer filed Feb. 3, 1988, by the assign-
ee, *International Business Machines Corp.*

Hereby enters this disclaimer to the claim of said patent.
[*Official Gazette March 29, 1988.*]