

[54] VIDEO DISPLAY FOR USE WITH A COMPUTER

[75] Inventors: Hartmut H. Esslinger; Stephen Peart, both of Los Gatos; William G. MacKenzie, San Jose, all of Calif.

[73] Assignee: Apple Computer, Inc., Cupertino, Calif.

[**] Term: 14 Years

[21] Appl. No.: 602,657

[22] Filed: Apr. 20, 1984

[52] U.S. Cl. D14/113

[58] Field of Search D14/100, 106, 113, 80-85; 340/700, 711; 358/254; 312/7.2

[56] References Cited

U.S. PATENT DOCUMENTS

- D. 259,343 5/1981 Chamberlain et al. D14/113
- D. 271,103 10/1983 Endt D14/113
- D. 278,911 5/1985 Ohnuma et al. D14/113

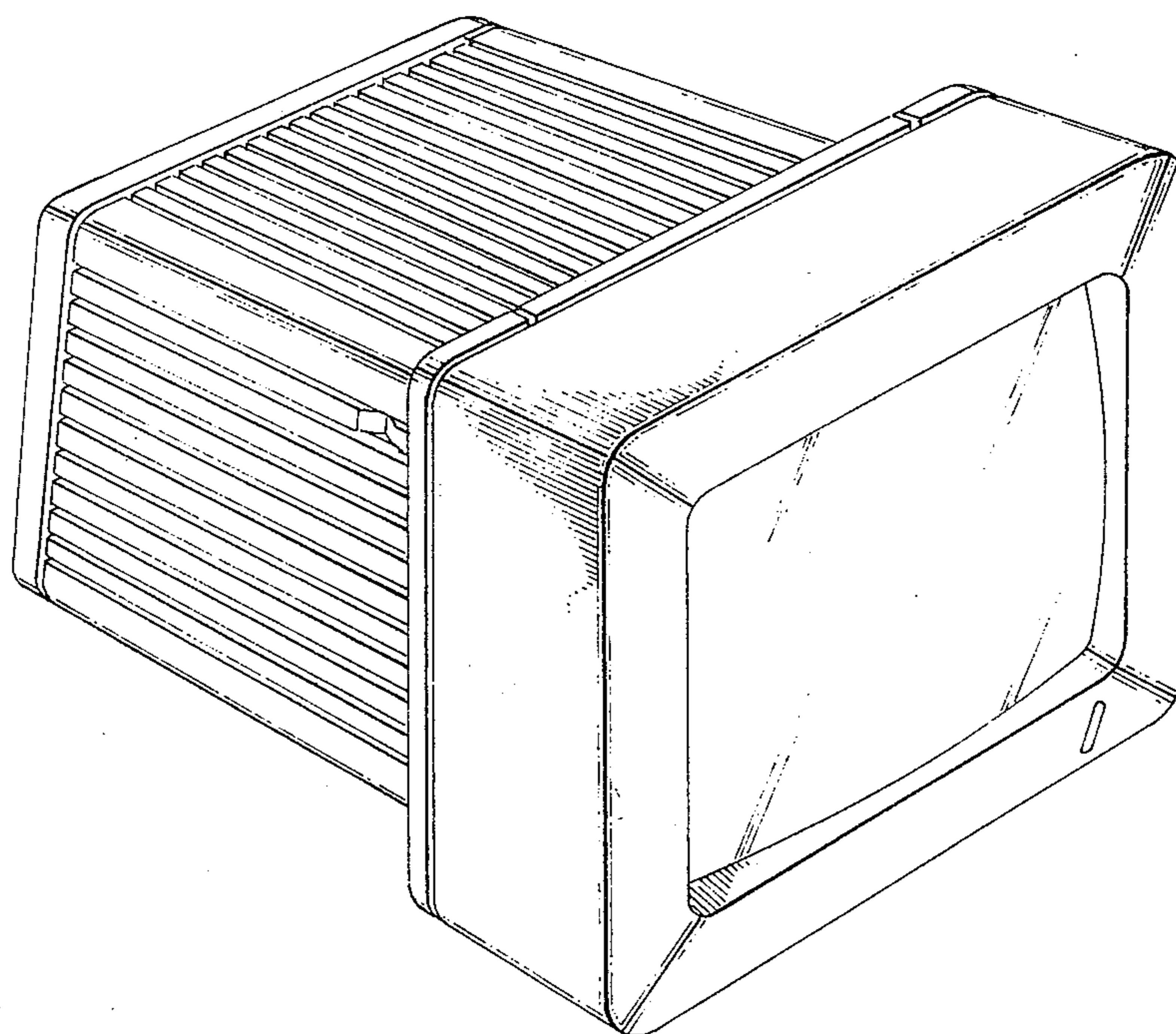
Primary Examiner—Susan J. Lucas
Attorney, Agent, or Firm—Blakely, Sokoloff, Taylor & Zafman

[57] CLAIM

The ornamental design for a video display for use with a computer, substantially as shown.

DESCRIPTION

FIG. 1 is a front perspective view of the video display for use with a computer showing our new design;
 FIG. 2 is a top plan view thereof;
 FIG. 3 is a front elevational view thereof;
 FIG. 4 is a right side elevational view thereof;
 FIG. 5 is a left side elevational view thereof;
 FIG. 6 is a rear elevational view thereof;
 FIG. 7 is a bottom plan view thereof.



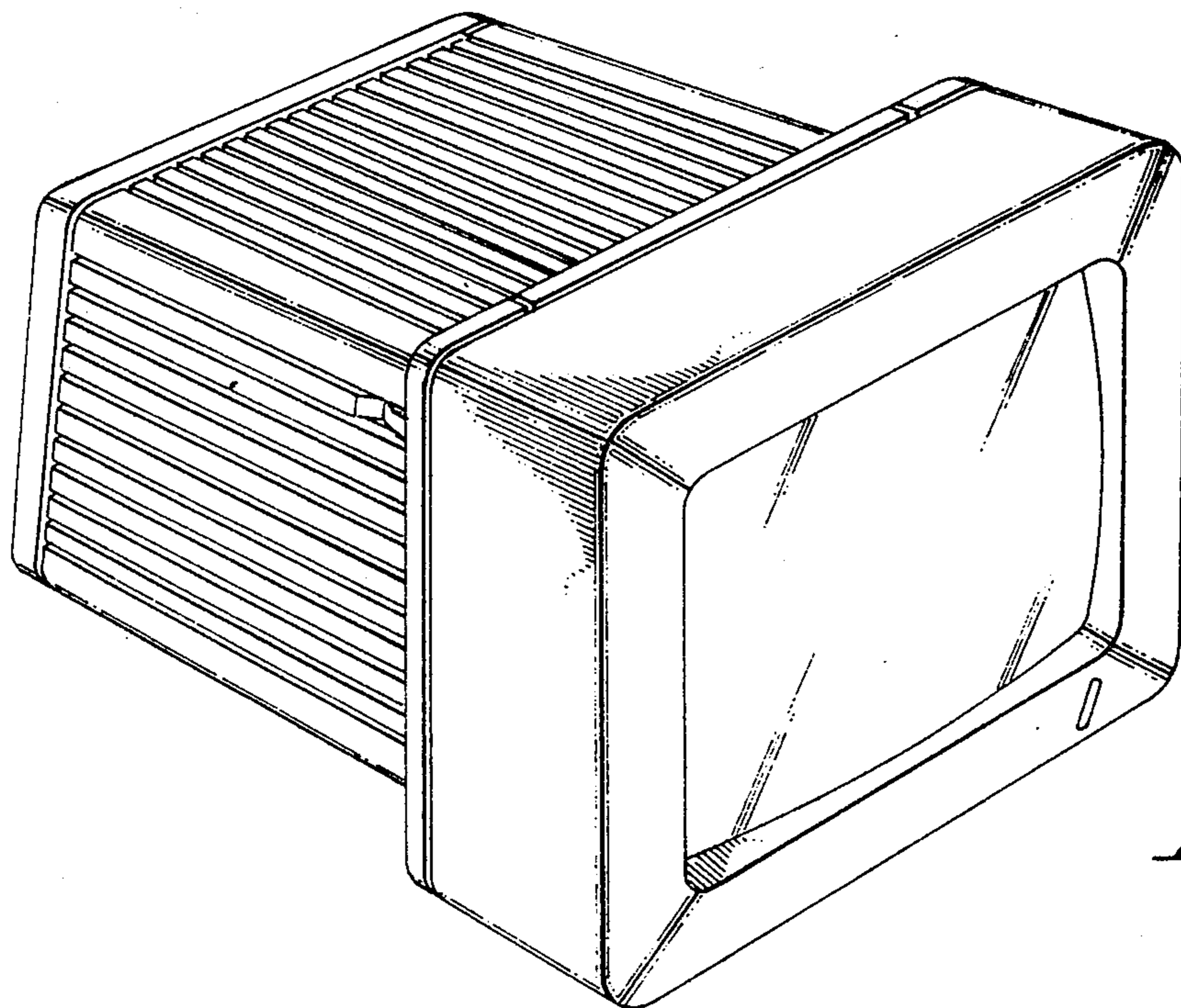


Fig. 1

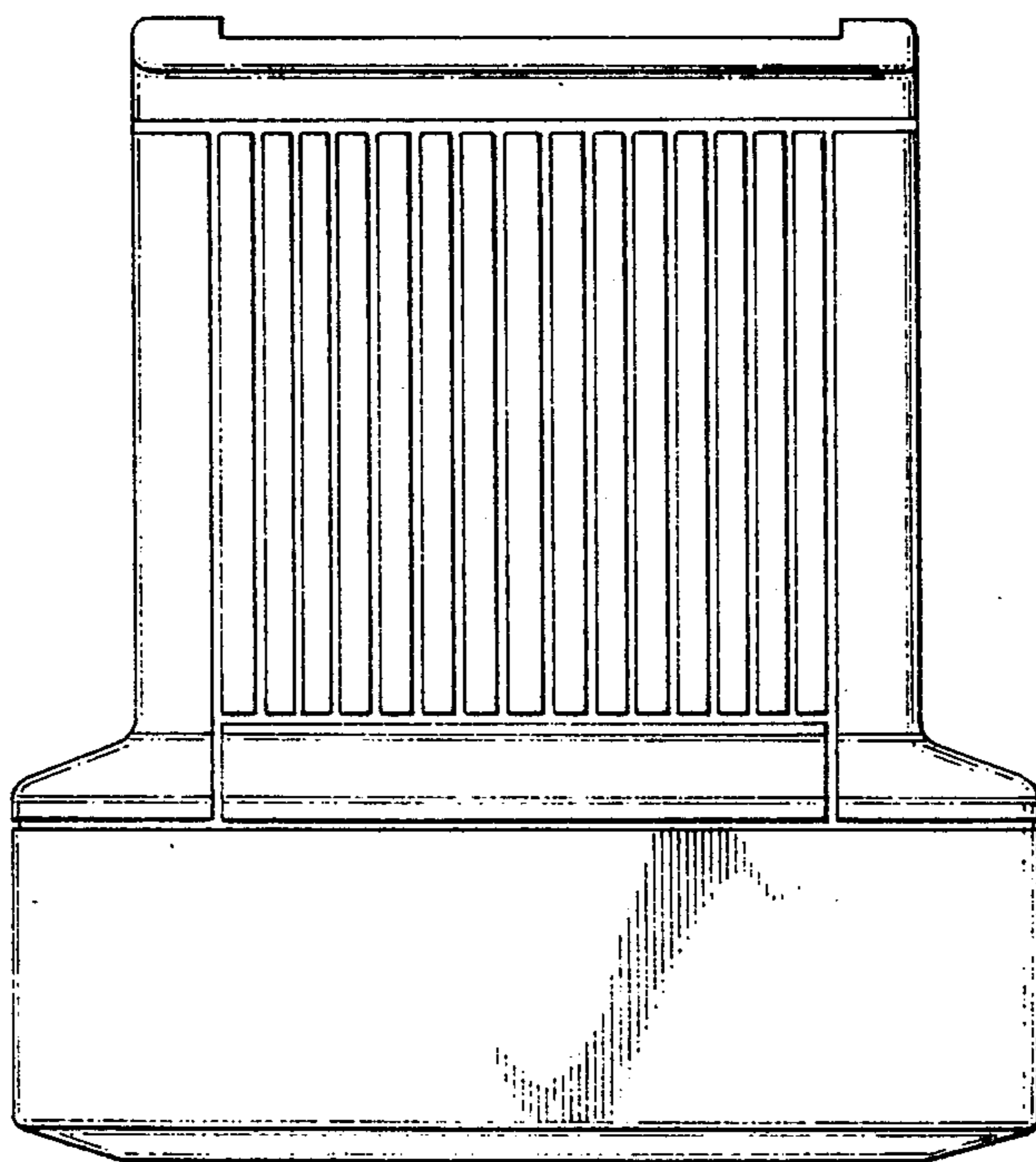


Fig. 2

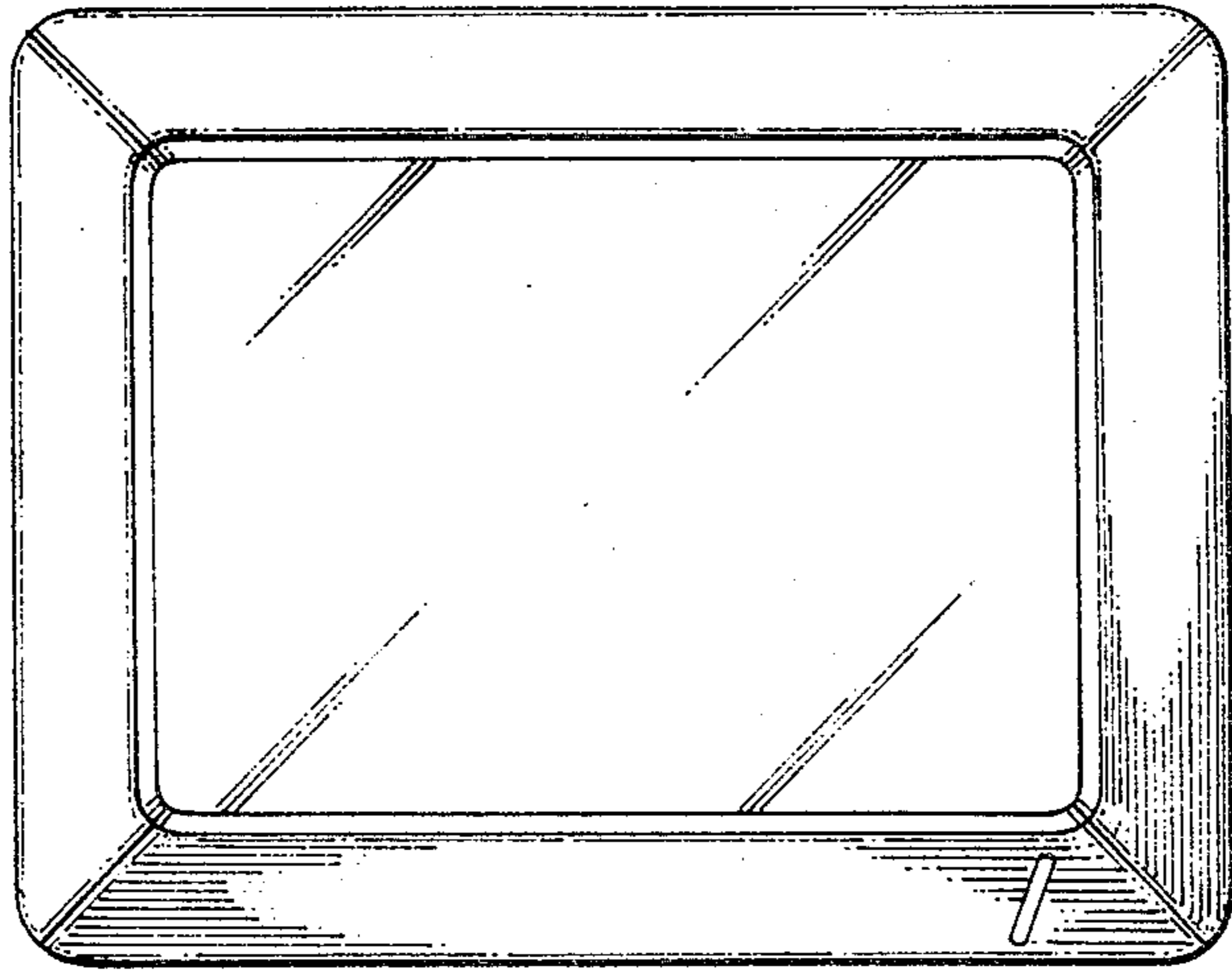


Fig. 3

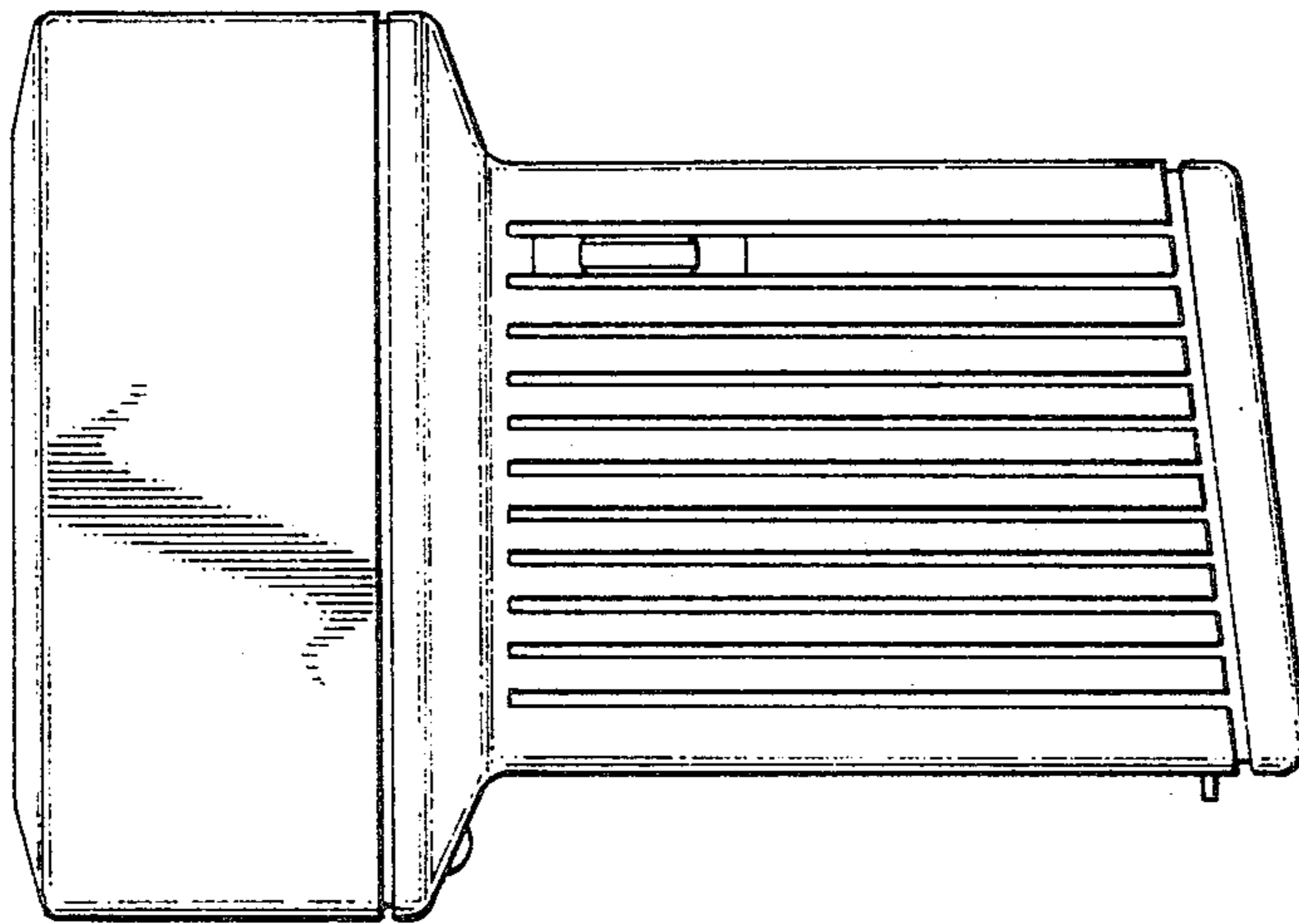


Fig. 4

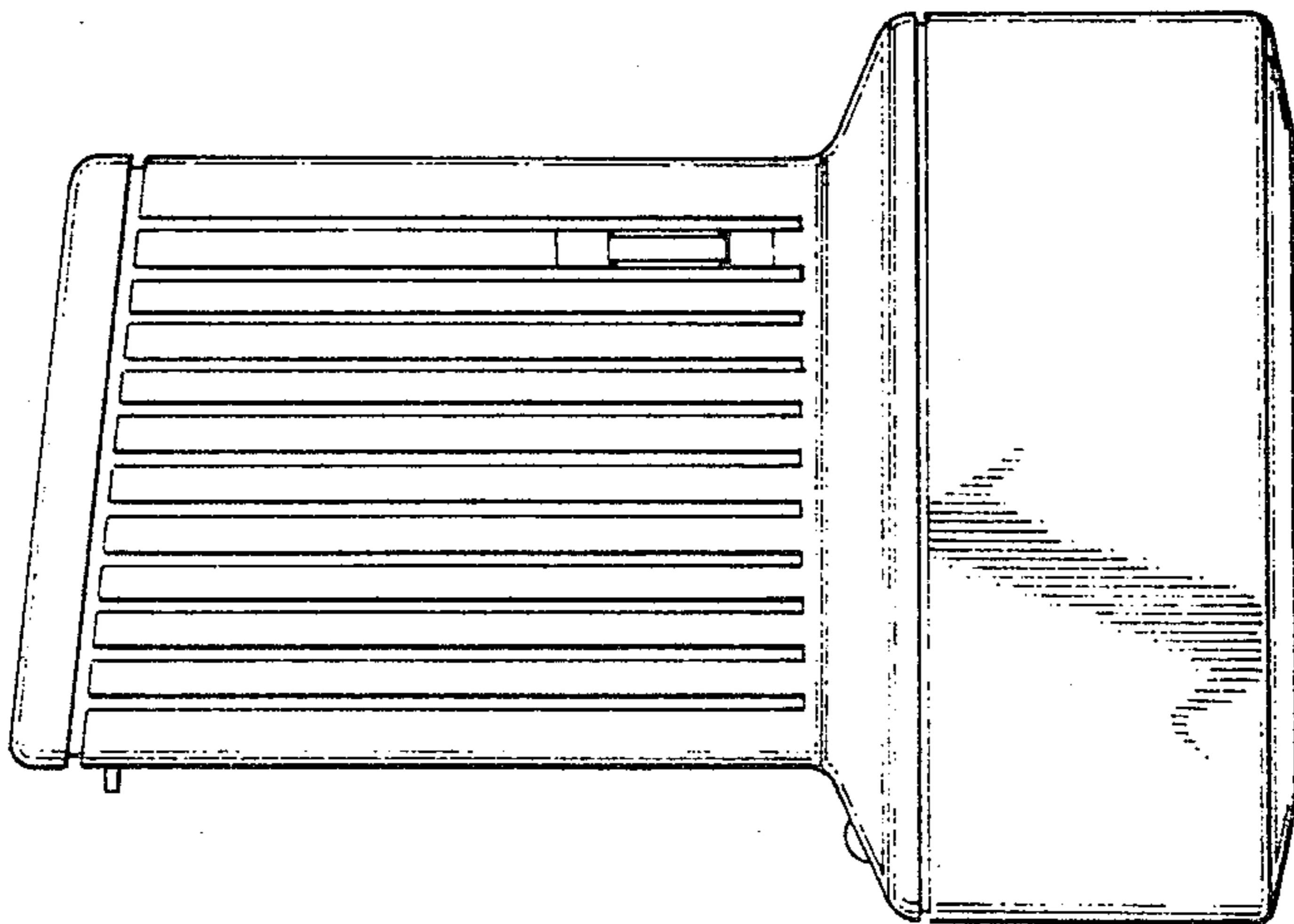


Fig. 5

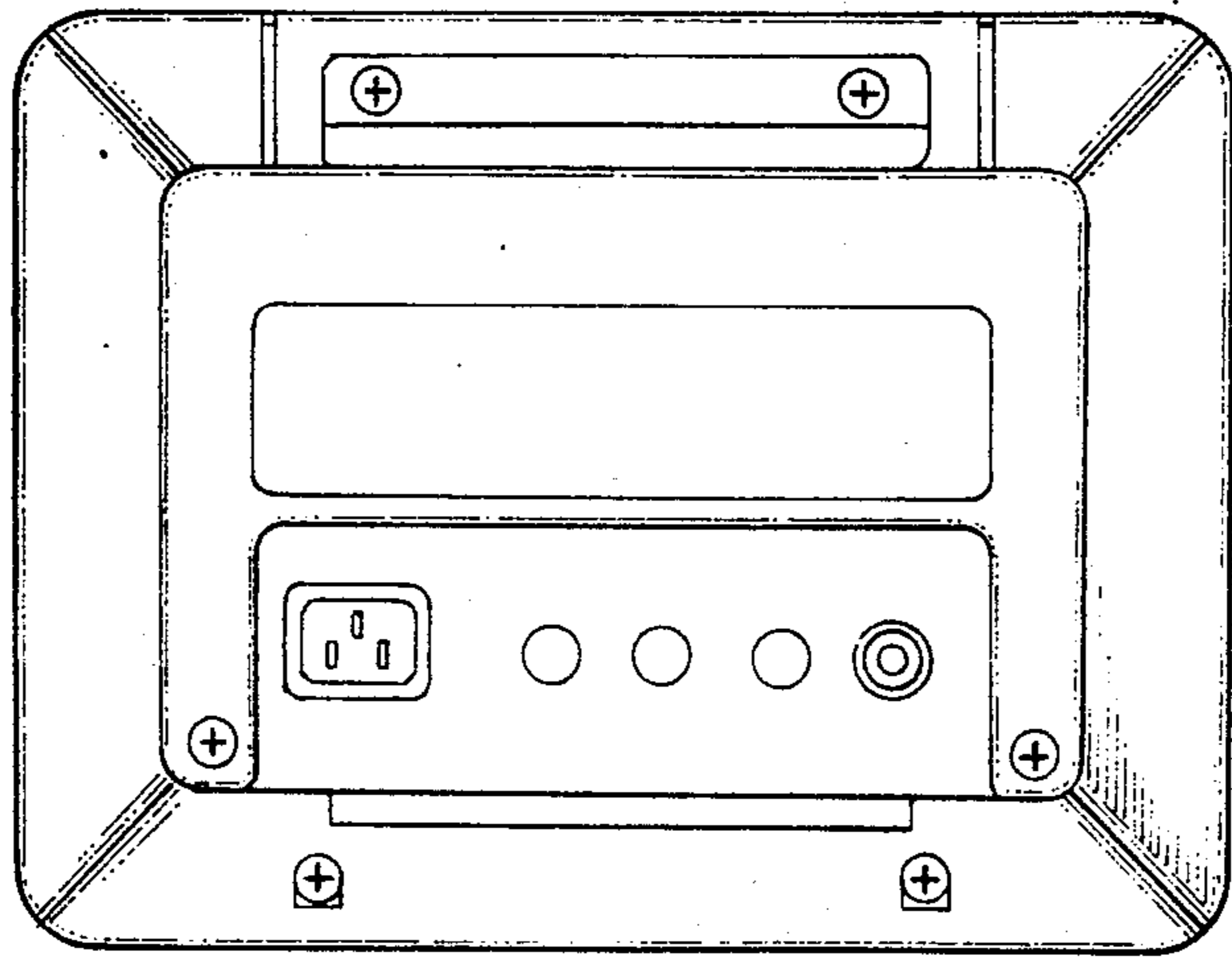


Fig. 6

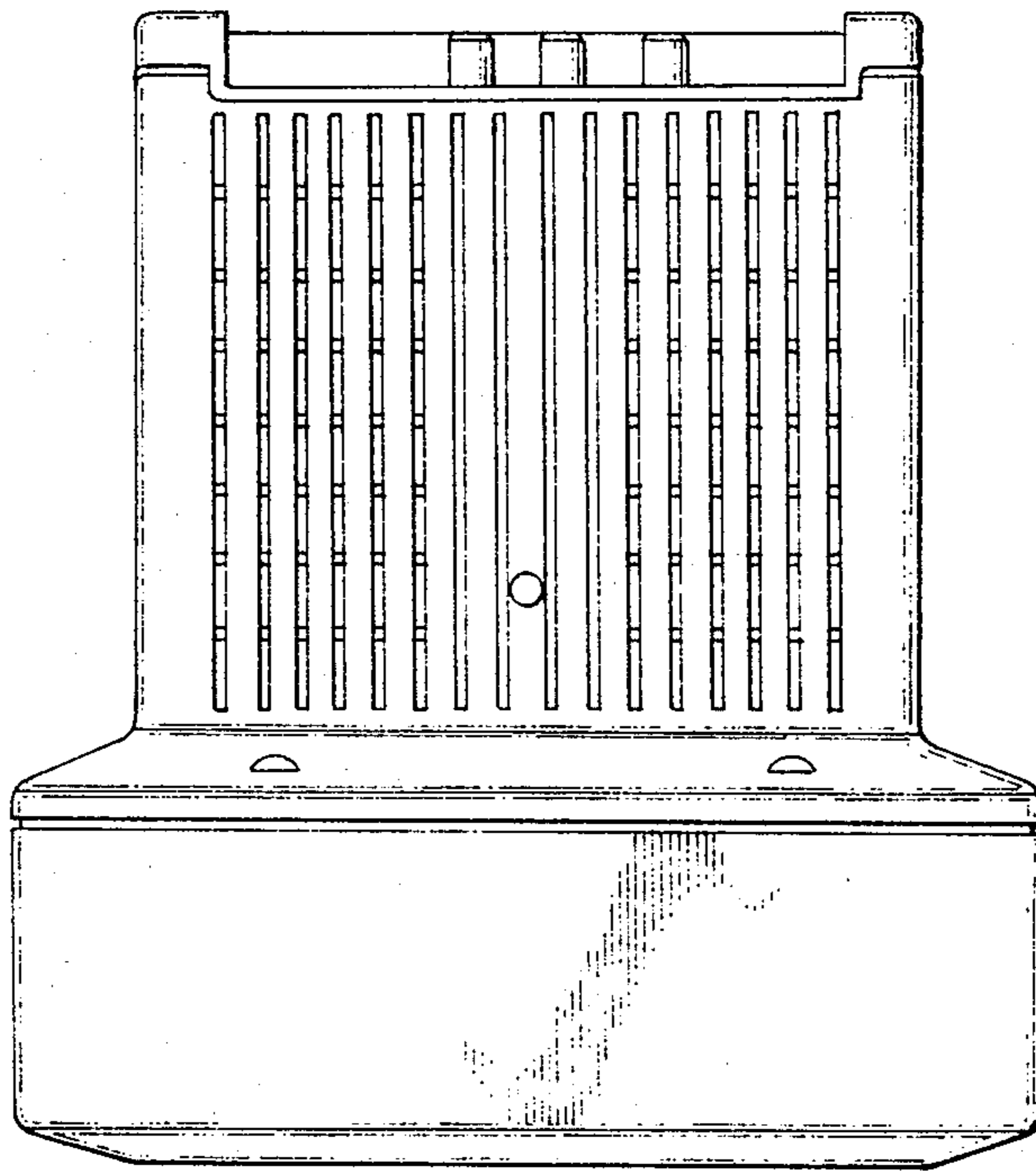


Fig. 7