

[54] **PRINTER FOR DATA TERMINALS WITH RECEIPT/JOURNAL UNIT**

[75] Inventor: **Ingvar Freijd, Linköping, Sweden**

[73] Assignee: **Telefonaktiebolaget LM Ericsson, Stockholm, Sweden**

[**] Term: **14 Years**

[21] Appl. No.: **532,188**

[22] Filed: **Sep. 14, 1983**

[30] **Foreign Application Priority Data**

- Mar. 25, 1983 [SE] Sweden 830880
- [52] U.S. Cl. **D14/111; D18/13**
- [58] Field of Search **D18/13, 22, 23, 99; D14/106, 11, 107, 111, 114; 400/118, 119, 691; 101/93.04, 93.05**

[56] **References Cited**

U.S. PATENT DOCUMENTS

- D. 199,824 12/1964 Stevens et al. D14/106
- D. 199,825 12/1964 Stevens et al. D14/111
- D. 250,144 10/1978 Coppola D18/13
- D. 256,371 8/1980 Coppola et al. D18/13

FOREIGN PATENT DOCUMENTS

- 436385 8/1976 Japan D14/11

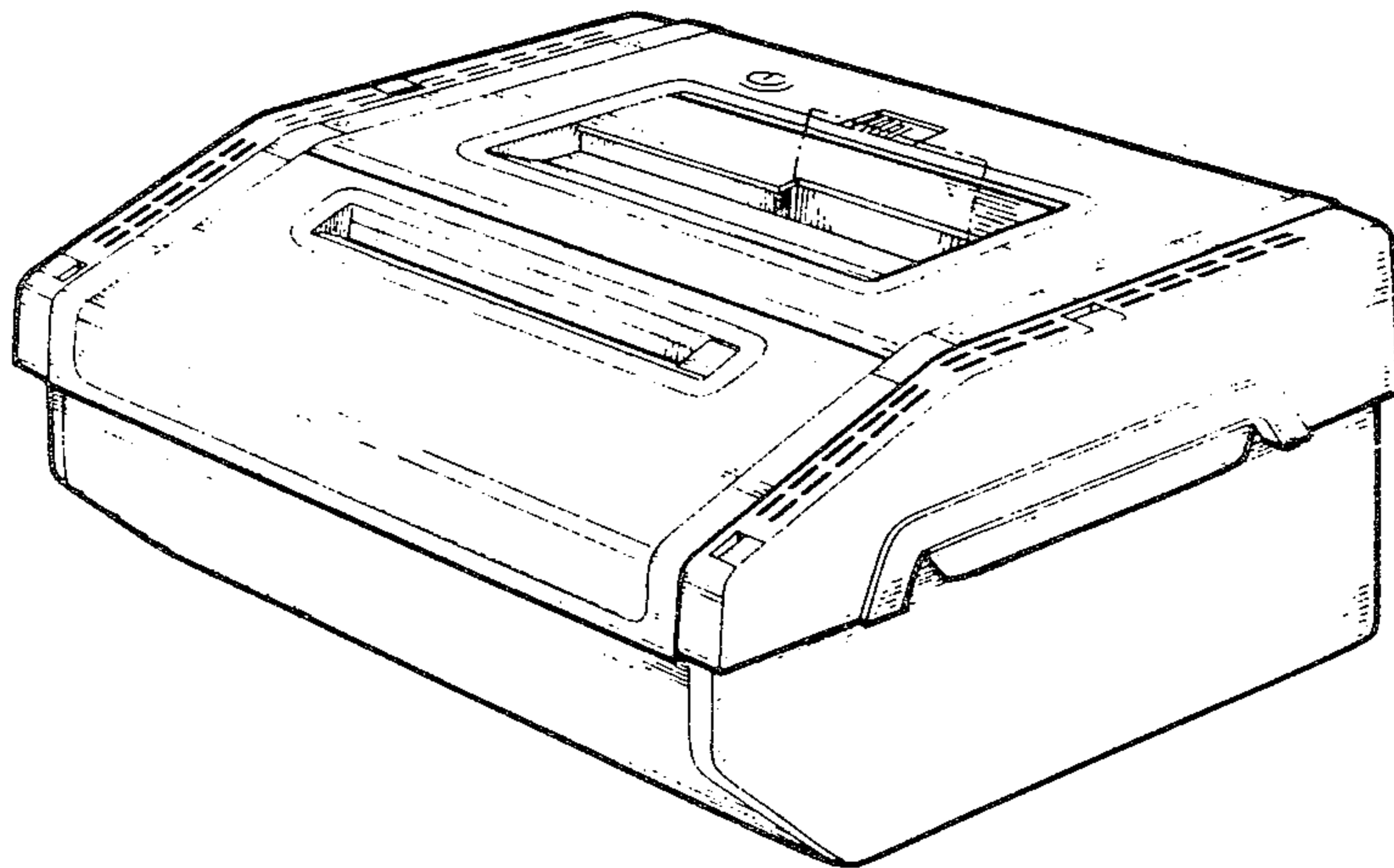
Primary Examiner—Louis S. Zarfaz
Attorney, Agent, or Firm—Roberts, Spieccens & Cohen

[57] **CLAIM**

The ornamental design for a printer for data terminals with receipt/journal unit, as shown and described.

DESCRIPTION

FIG. 1 is a front perspective view of a printer for data terminals with receipt/journal unit showing my new design; and
FIG. 2 is a rear perspective view thereof.
The broken line showing the end of a paper roll is for illustrative purposes only and forms no part of the claimed design.



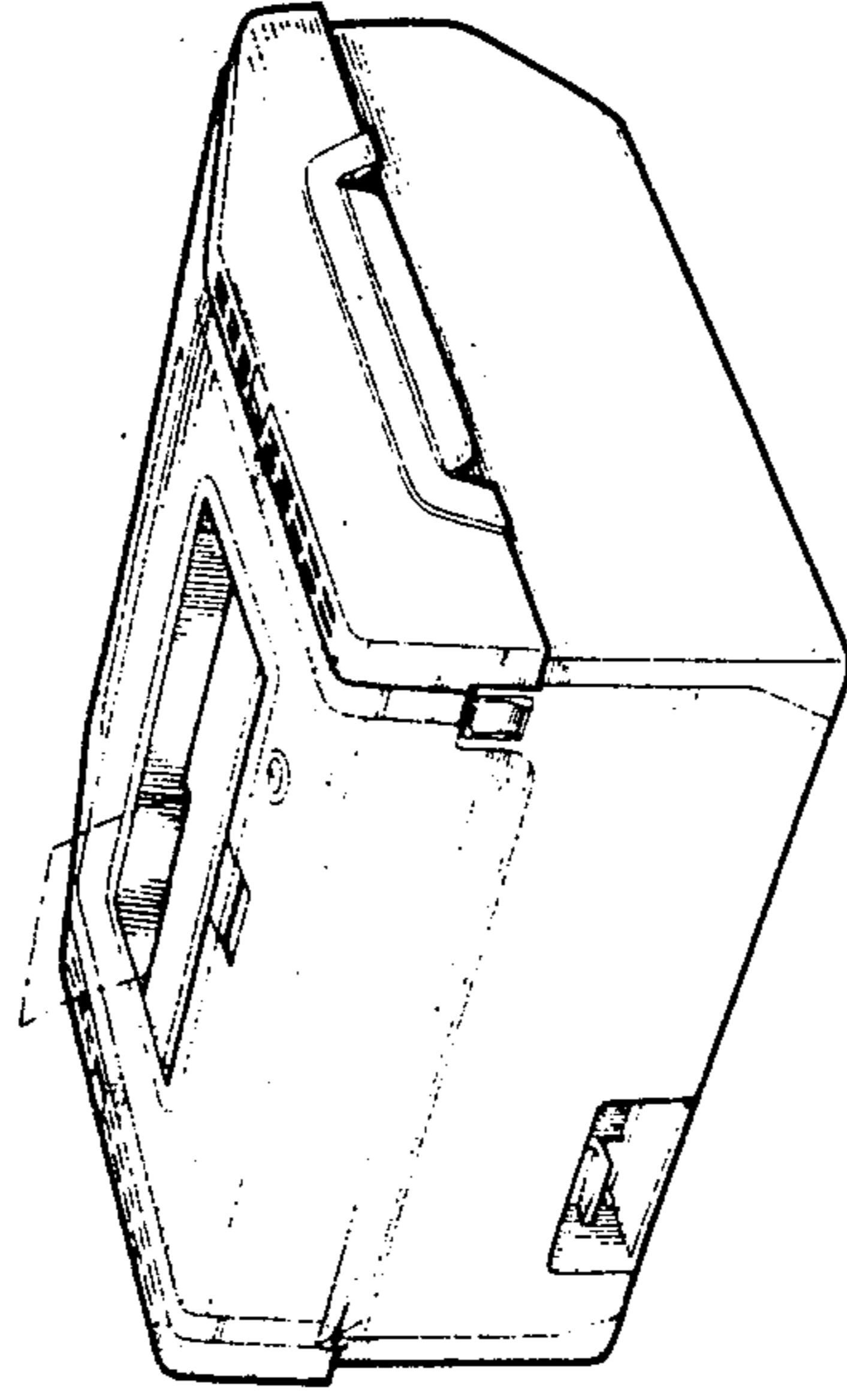


FIG. 2

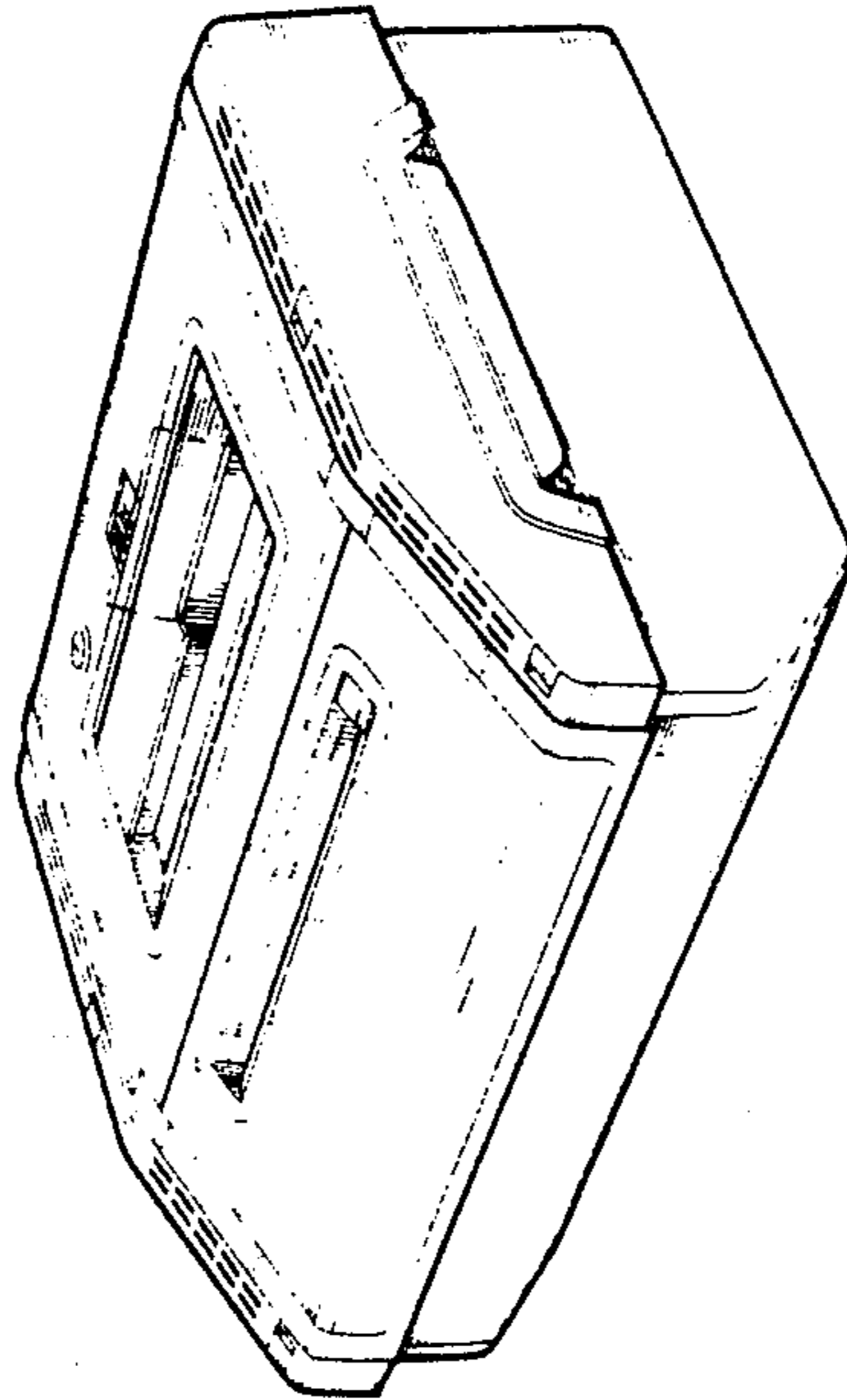


FIG. 1