

[54] **PRINTER FOR DATA TERMINALS WITH RECEIPT/JOURNAL UNIT**

[75] Inventor: Ingvar Freijd, Linköping, Sweden

[73] Assignee: Telefonaktiebolaget LM Ericsson, Stockholm, Sweden

[\*\*] Term: 14 Years

[21] Appl. No.: 532,186

[22] Filed: Sep. 14, 1983

[30] **Foreign Application Priority Data**

Mar. 25, 1983 [SE] Sweden ..... 830879  
[52] U.S. Cl. .... D14/111; D18/13  
[58] Field of Search ..... D18/13, 22, 23, 99;  
D14/11, 106, 107, 111, 114; 400/118, 119, 691;  
101/93.04, 93.05

[56] **References Cited**

**U.S. PATENT DOCUMENTS**

D. 199,824 12/1964 Stevens et al. .... D14/106  
D. 199,825 12/1964 Stevens et al. .... D14/111  
D. 250,144 10/1978 Coppola ..... D18/13  
D. 256,371 8/1980 Coppola et al. .... D18/13

**FOREIGN PATENT DOCUMENTS**

436385 8/1976 Japan ..... D14/11

*Primary Examiner*—Louis S. Zarfes

*Attorney, Agent, or Firm*—Roberts, Spieccens & Cohen

[57] **CLAIM**

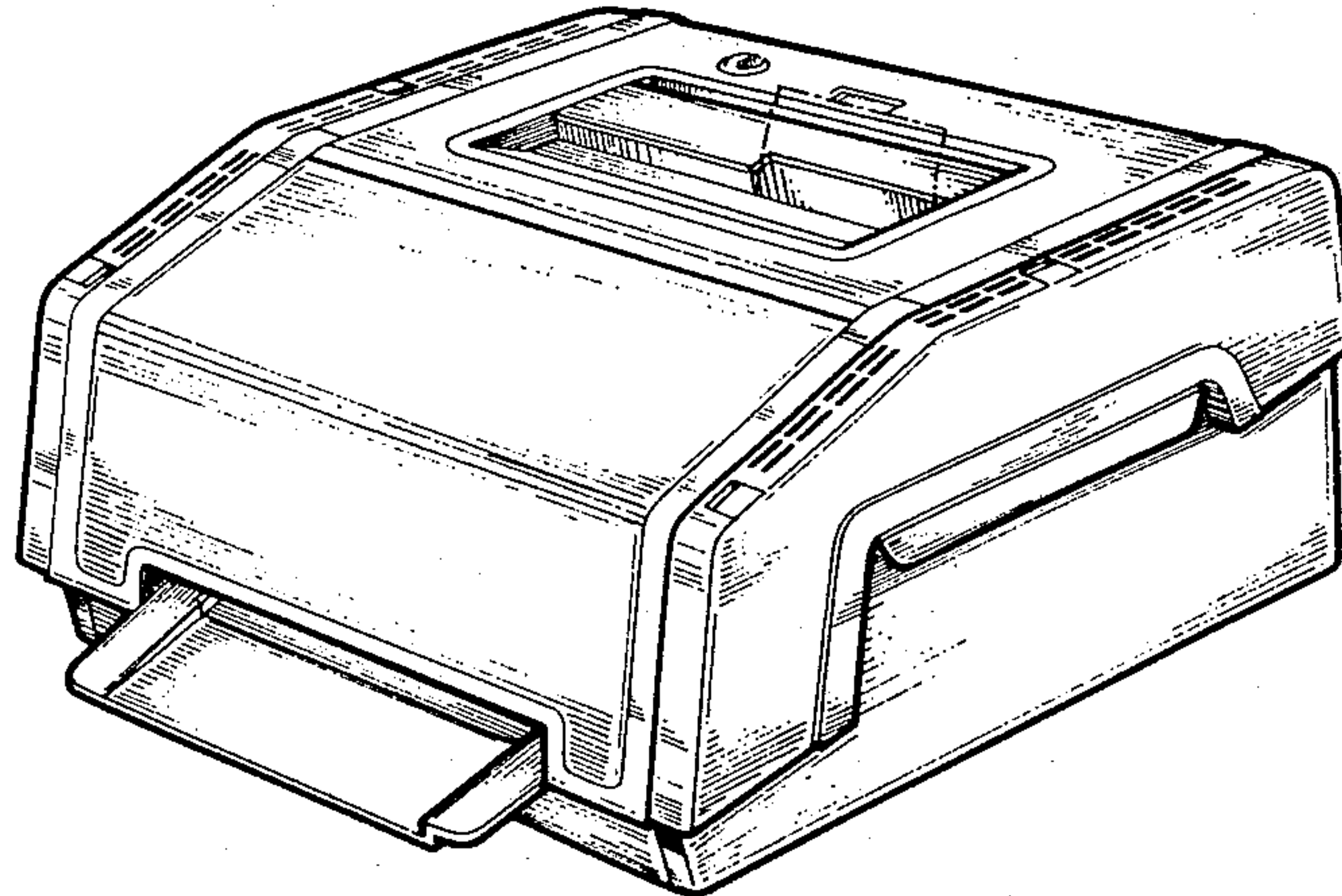
The ornamental design for a printer for data terminals with receipt/journal unit, as shown and described.

**DESCRIPTION**

FIG. 1 is a front perspective view of a printer for data terminals with receipt/journal unit showing my new design; and

FIG. 2 is a rear perspective view thereof.

The broken line showing of the end of a paper roll is for illustrative purposes only and forms no part of the claimed design.



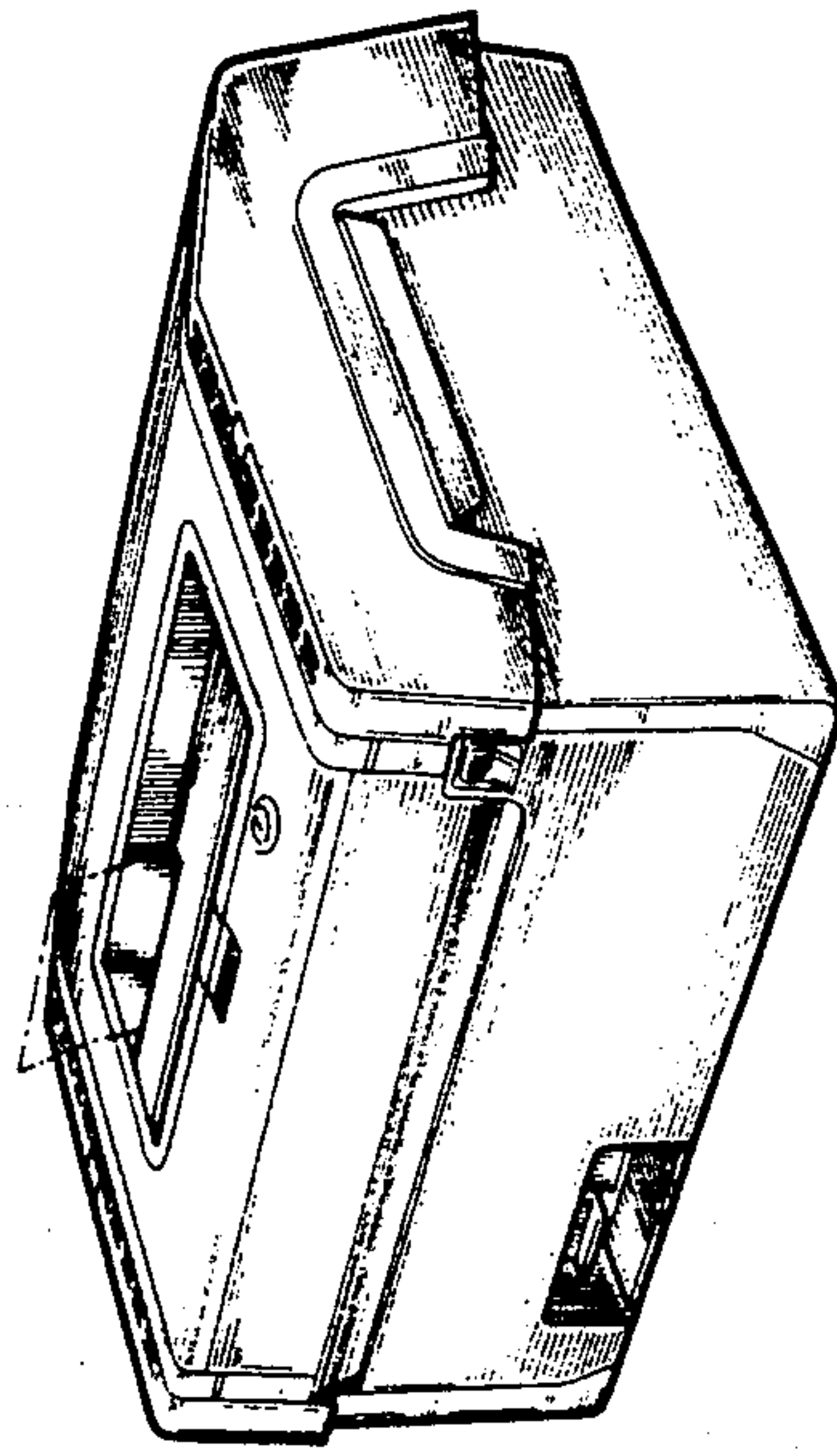


FIG. 2

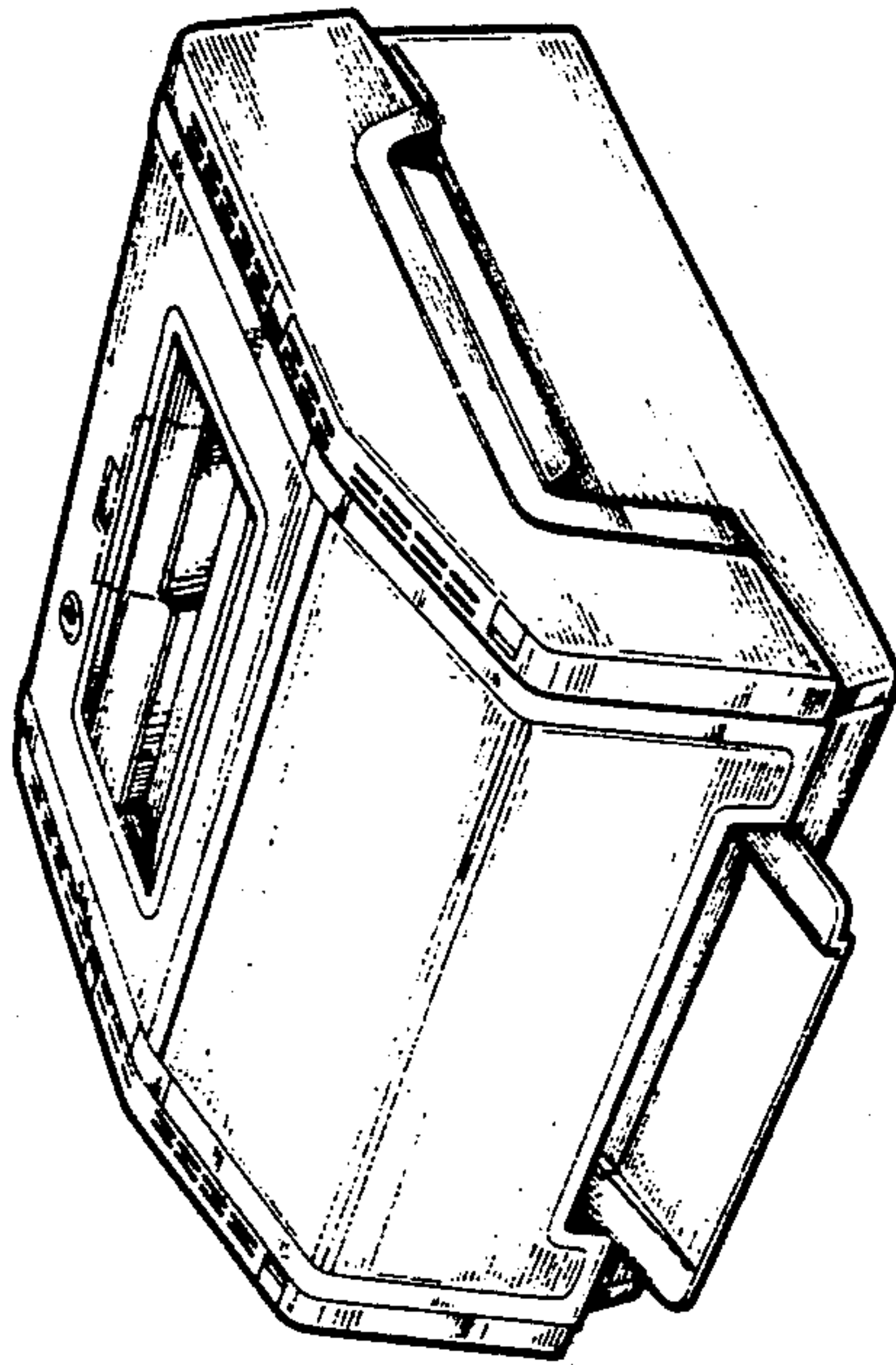


FIG. 1