

[54] **REPLACEMENT VAN TOP**

[76] **Inventor: Paul E. Thomas, 1808 Mill La., Dothan, Ala. 36303**

[**] **Term: 14 Years**

[21] **Appl. No.: 673,774**

[22] **Filed: Nov. 20, 1984**

[52] **U.S. Cl. D12/156**

[58] **Field of Search D12/156; 296/99 R, 26, 296/210**

[56] **References Cited**

U.S. PATENT DOCUMENTS

D. 250,525 12/1978 Snyder D12/156

OTHER PUBLICATIONS

R. V. Business, 12/82, p. 57, Van Top, lower right side of page.

Primary Examiner—James M. Gandy
Attorney, Agent, or Firm—Harvey B. Jacobson

[57] **CLAIM**

The ornamental design for a replacement van top, as shown.

DESCRIPTION

FIG. 1 is a top right front perspective view of a replacement van top showing my new design;
FIG. 2 is a left side elevational view thereof;
FIG. 3 is a top plan view thereof;
FIG. 4 is a bottom plan view thereof;
FIG. 5 is a front elevational view thereof; and
FIG. 6 is a rear elevational view thereof.

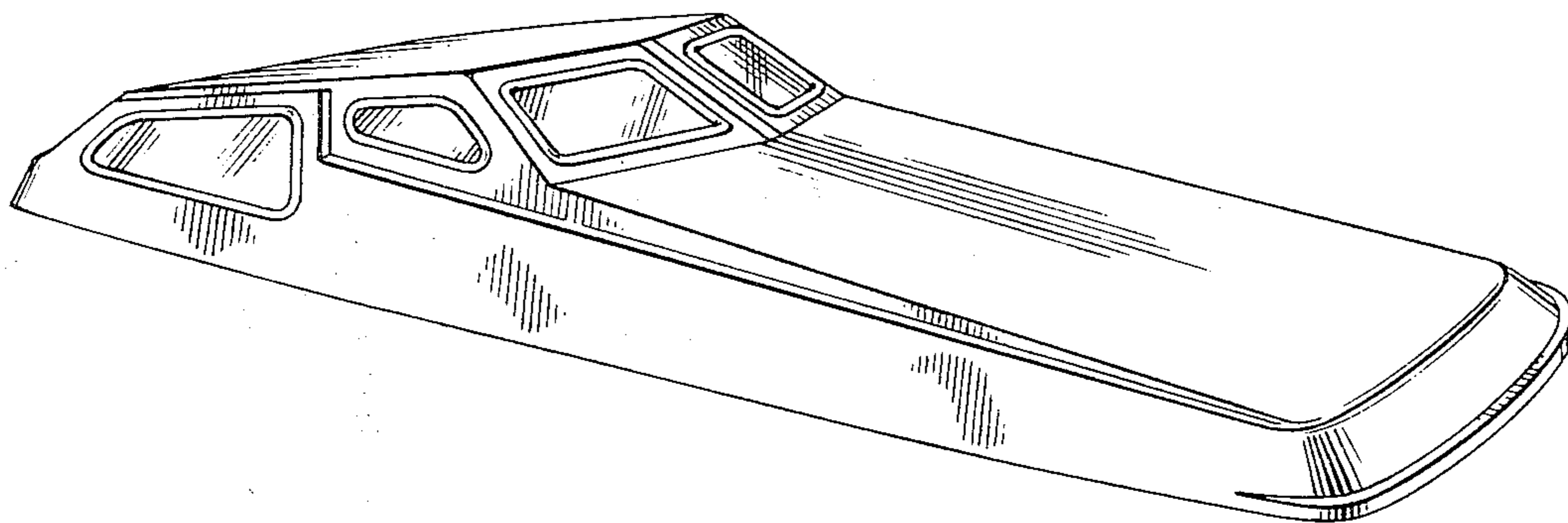


FIG. 1

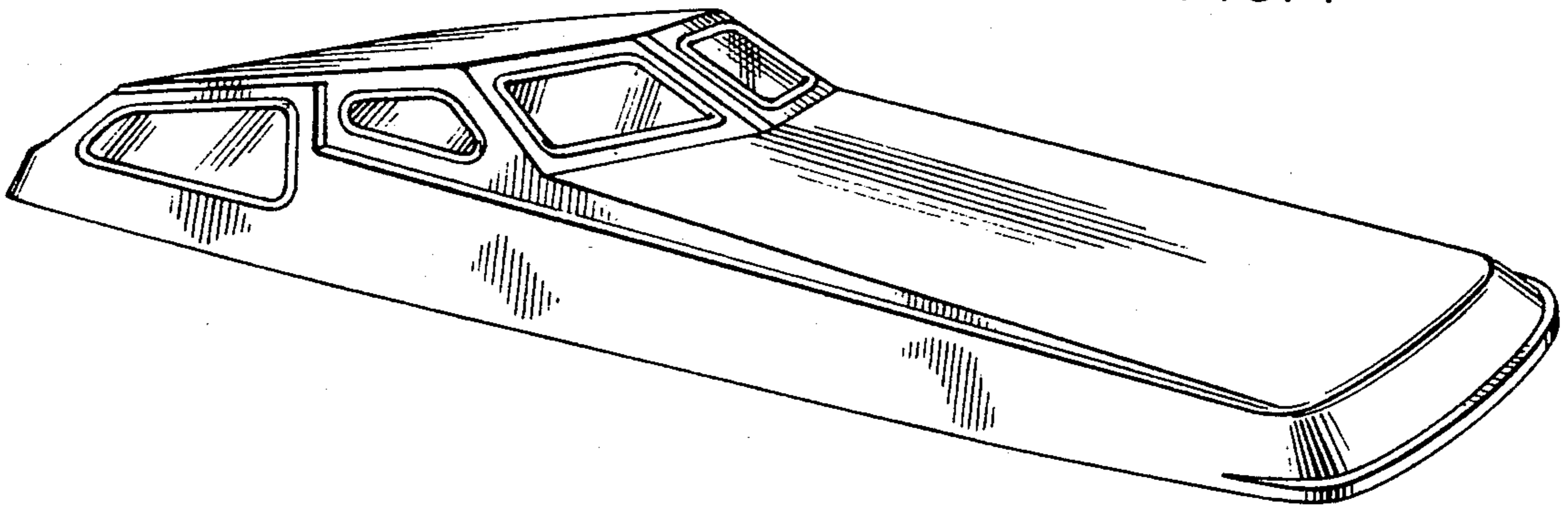


FIG. 2

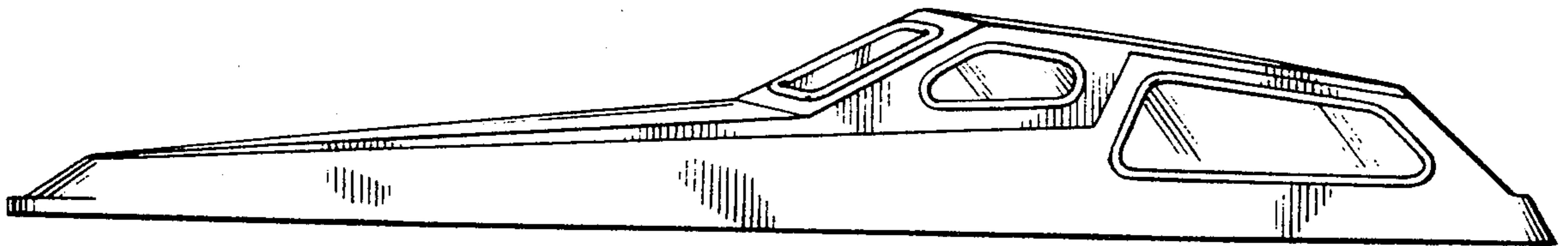


FIG. 3

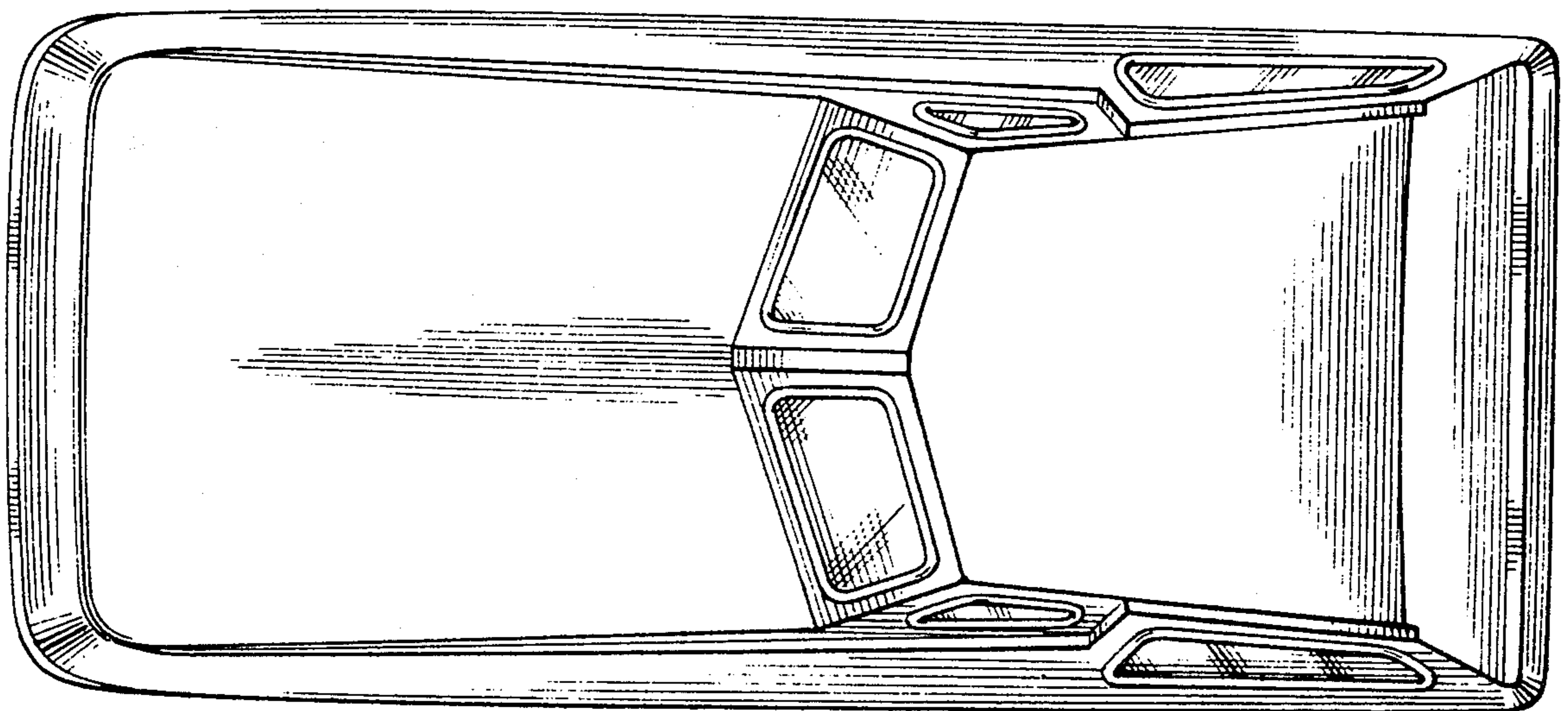


FIG. 4

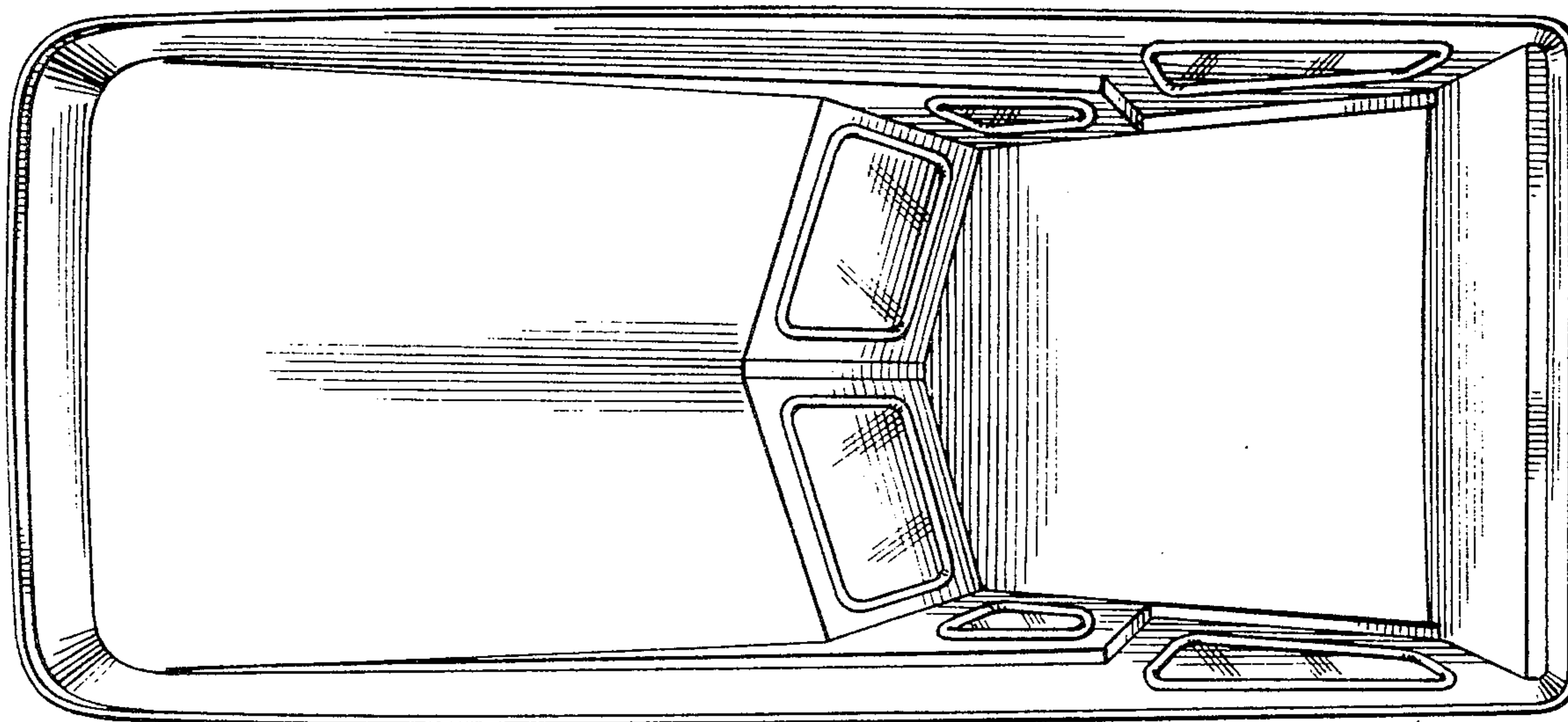


FIG. 5

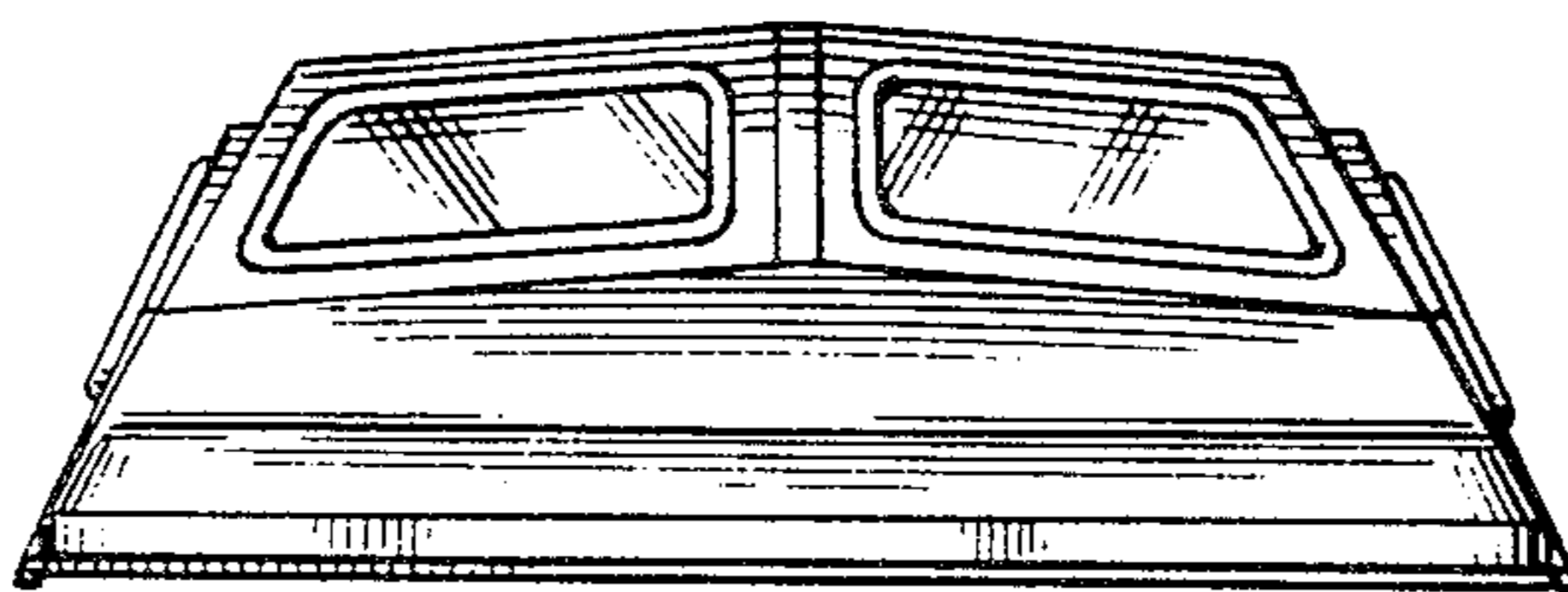


FIG. 6

