

[54] HANGING PLANTER

[76] Inventors: Donald L. Tendrup, 32 Del Marie La., Nesconset, N.Y. 11767; Joseph P. Devito, 7 Ingrid Ct., Hauppauge, N.Y. 11729

[**] Term: 14 Years

[21] Appl. No.: 665,571

[22] Filed: Oct. 29, 1984

[52] U.S. Cl. D11/148; D11/152

[58] Field of Search D11/143-155; D6/514, 513; 47/41 R, 66, 67, 71, 72; 248/318

[56] References Cited

U.S. PATENT DOCUMENTS

- D. 245,052 7/1977 Mulford D6/513
- D. 274,583 7/1984 Lafferty D11/148

- 3,943,661 3/1976 De Vito et al. 47/67
- 3,981,099 9/1976 Dziewulski 47/67
- 4,138,803 2/1979 Sherlock 47/67

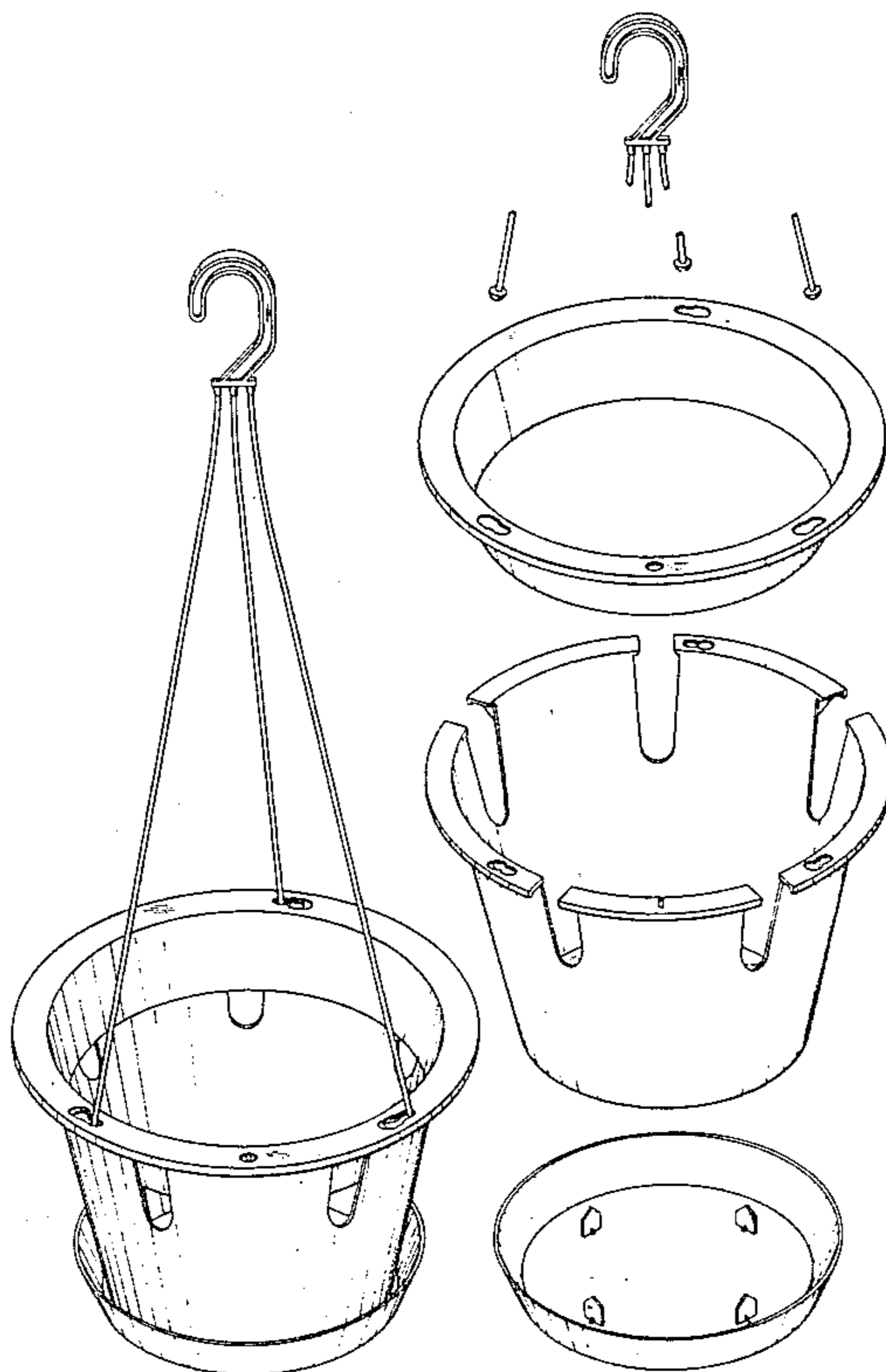
Primary Examiner—B. J. Bullock
Attorney, Agent, or Firm—Bauer & Amer

[57] CLAIM

The ornamental design for a hanging planter, as shown and described.

DESCRIPTION

FIG. 1 is a perspective view of a hanging planter showing our new design;
 FIG. 2 is an exploded perspective view thereof, the hanger shown broken away for ease of illustration;
 FIG. 3 is a side elevational view thereof, the hanger is again shown broken away for ease of illustration;
 FIG. 4 is a top plan view thereof; and
 FIG. 5 is a bottom plan view thereof.



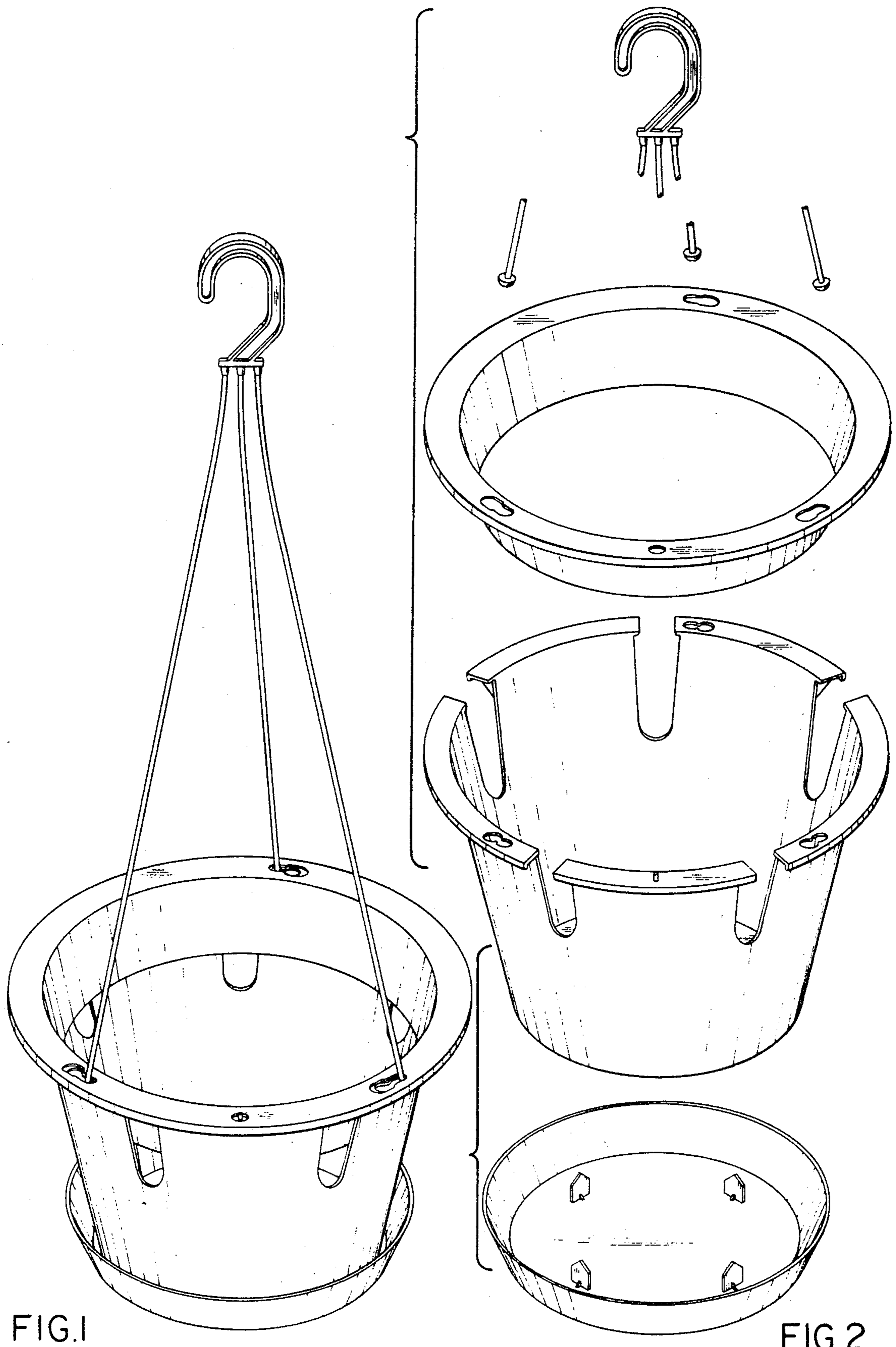


FIG. 1

FIG. 2

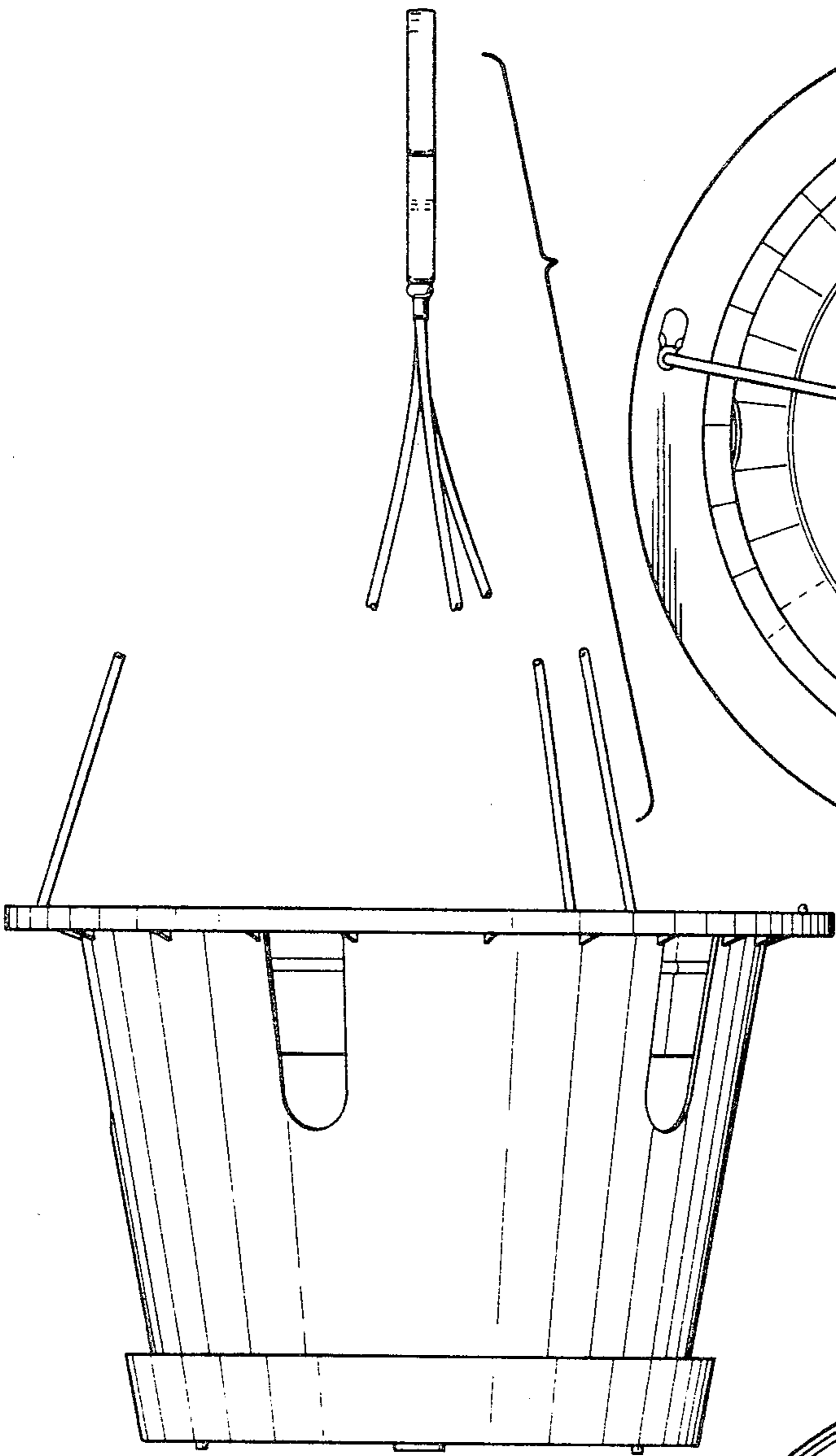


FIG. 3

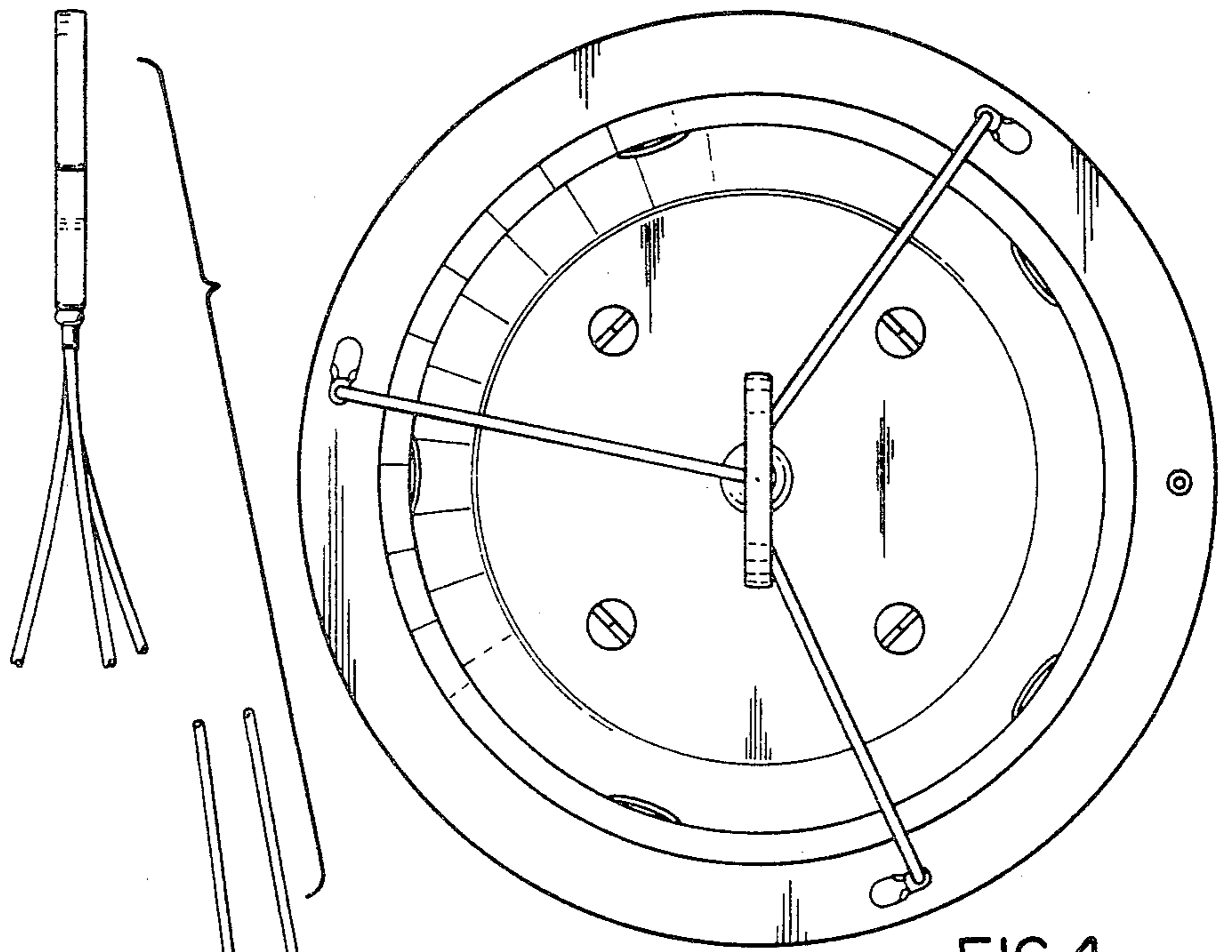


FIG. 4

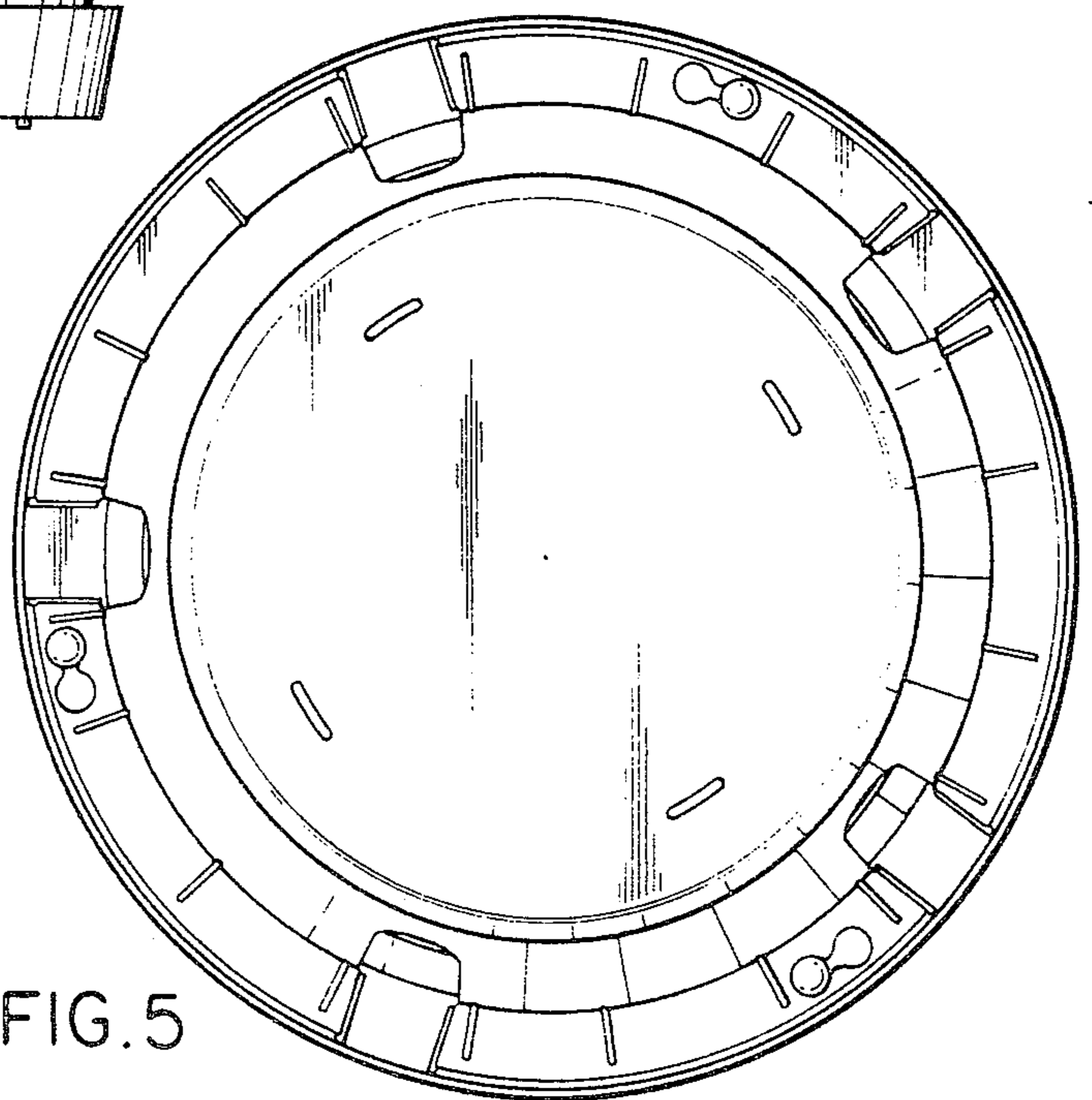


FIG. 5