

United States Patent [19]

Kaniwec

[11] Patent Number: **Des. 283,988**

[45] Date of Patent: **** May 27, 1986**

[54] **FUEL GAUGE FOR PROPANE TANK**

[75] Inventors: **Charles A. Krehel, Trumbull; George N. Kaniwec, Southington, both of Connecticut.**

[73] Assignee: **The Cooper Thermometer Company, Middlefield, Conn.**

[**] Term: **14 Years**

[21] Appl. No.: **539,477**

[22] Filed: **Oct. 6, 1983**

[52] U.S. Cl. **D10/101**

[58] Field of Search **D10/85, 101, 102; 73/431, 317, DIG. 5**

[56] **References Cited**

U.S. PATENT DOCUMENTS

D. 120,640 5/1940 Graesser et al. D10/85 X
D. 156,571 12/1949 Snow D10/85 X

1,672,666 6/1928 Walsh 73/431 X
2,473,581 6/1949 Ford 73/317
3,638,493 2/1972 Schoepflin 73/317

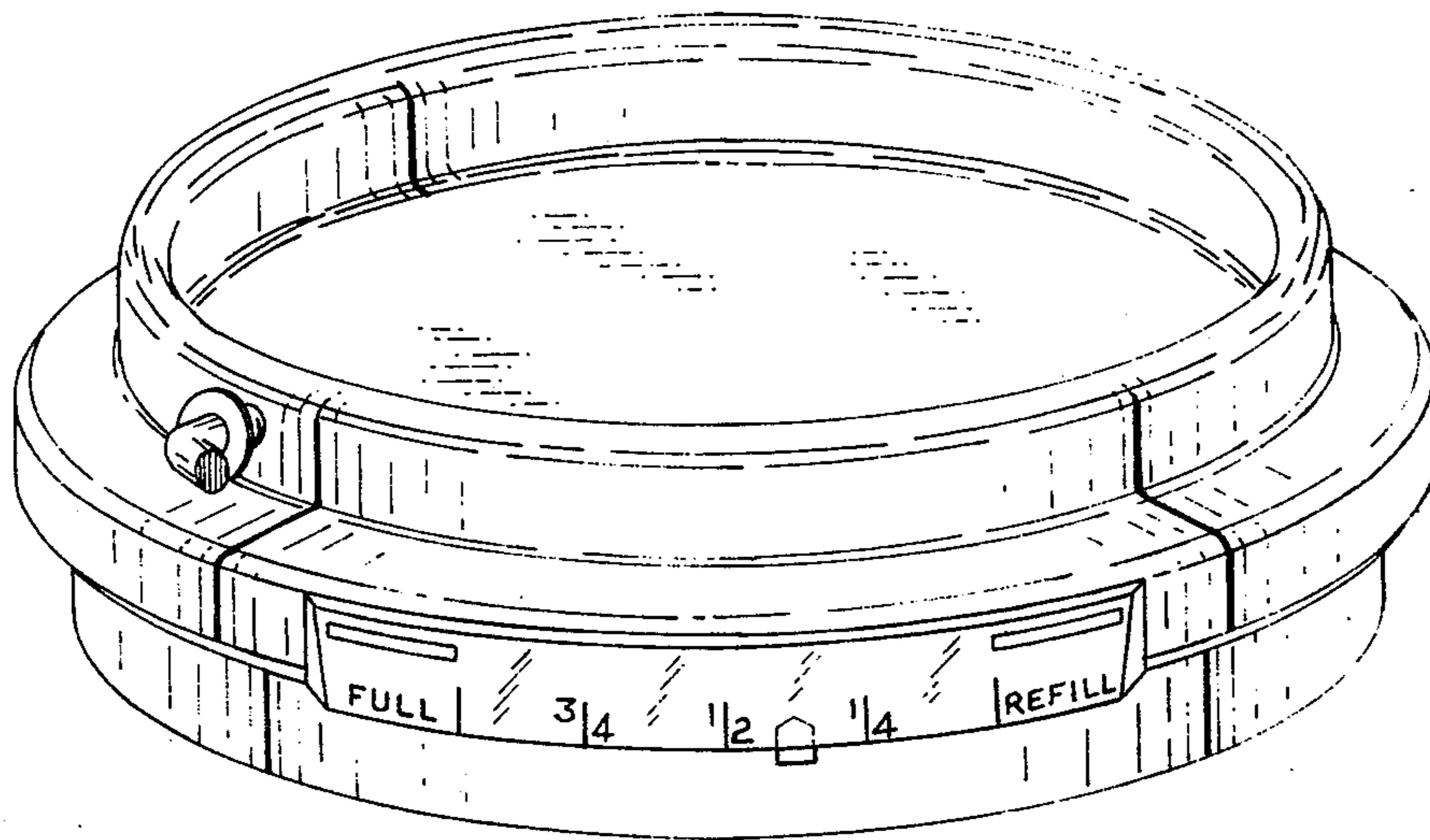
Primary Examiner—Carmen H. Vales
Attorney, Agent, or Firm—Prutzman, Kalb, Chilton & Alix

[57] CLAIM

The ornamental design for a fuel gauge for a propane tank, as shown and described.

DESCRIPTION

FIG. 1 is a front elevational view of a fuel gauge for a propane tank showing our new design; FIG. 2 is a side elevational view thereof; FIG. 3 is a rear elevational view thereof; FIG. 4 is a top plan view thereof; FIG. 5 is a bottom plan view thereof; and FIG. 6 is a front perspective view thereof.



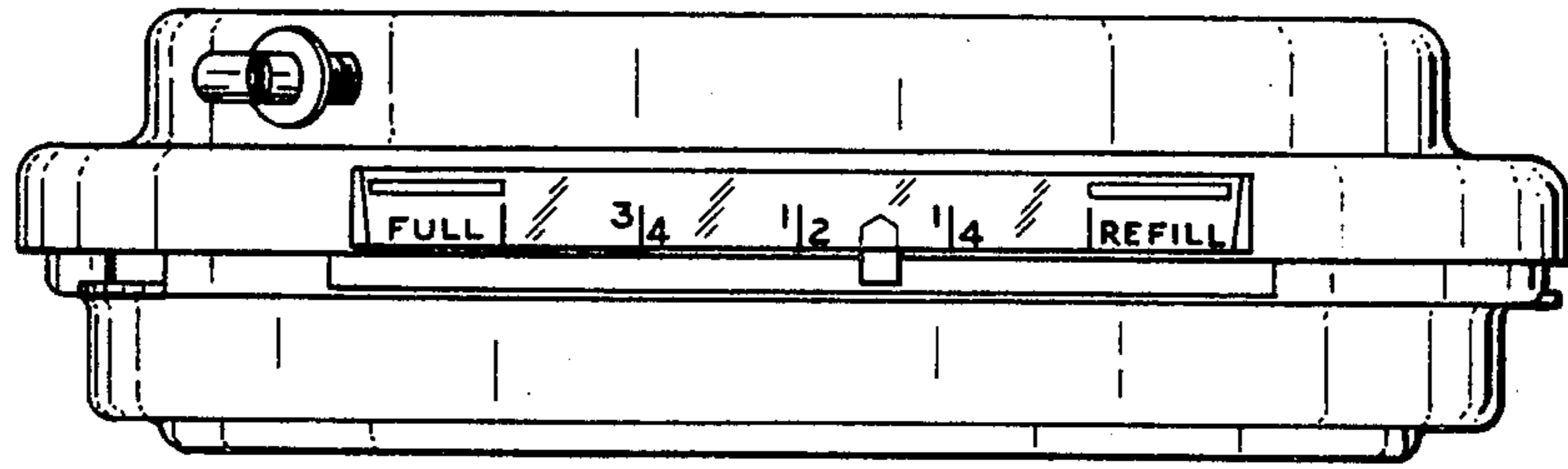


FIG. 1

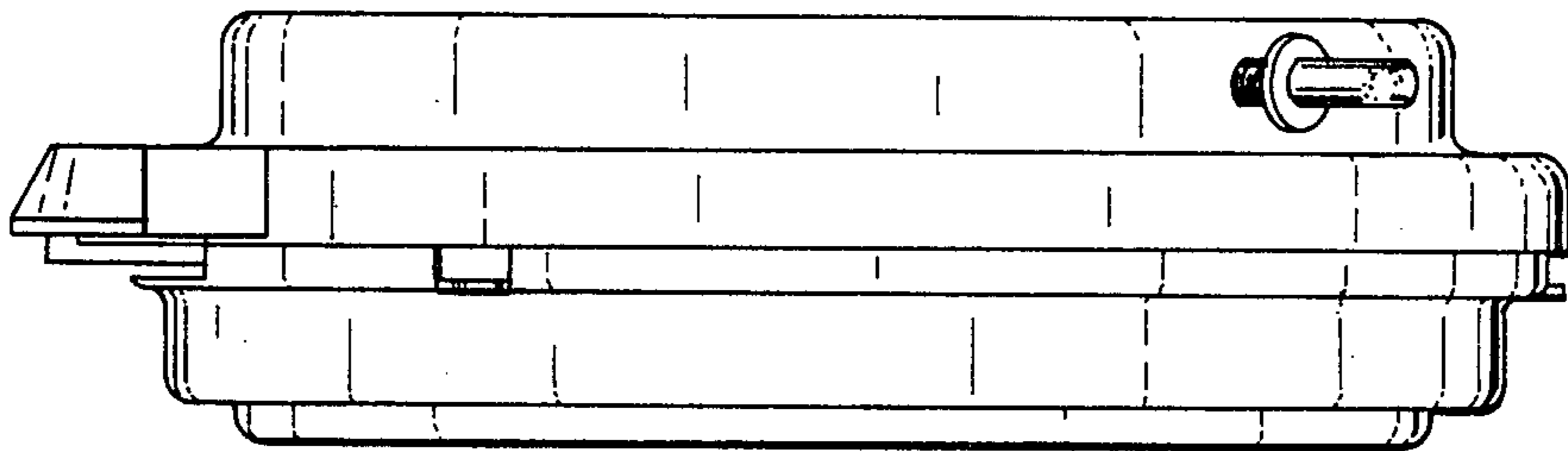


FIG. 2

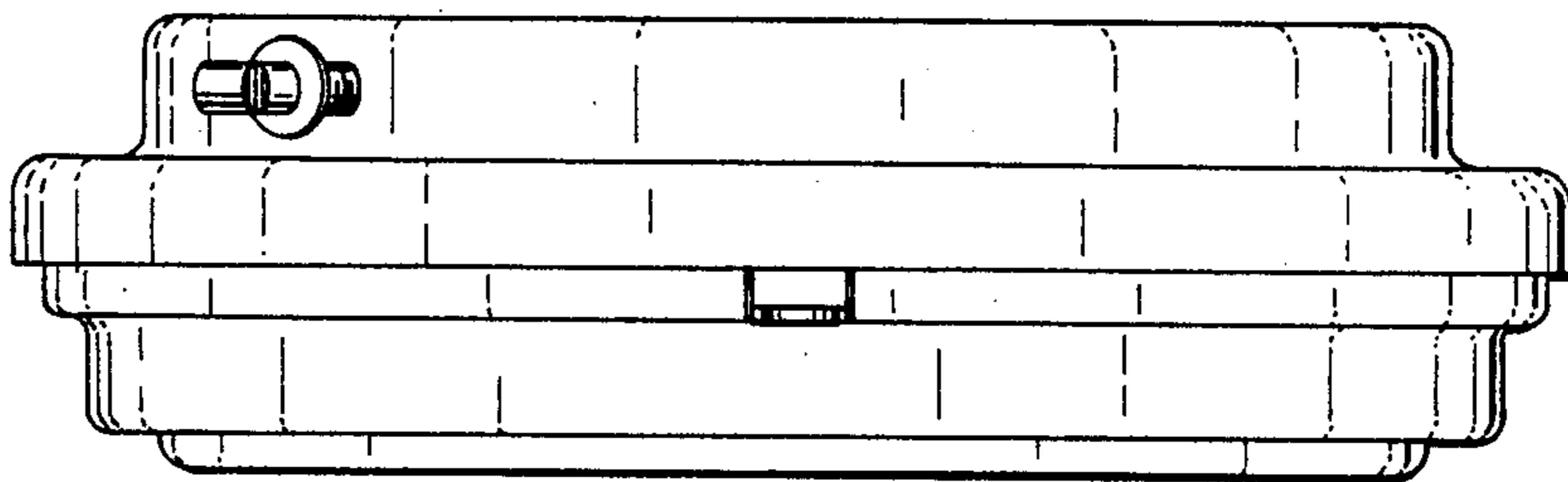


FIG. 3

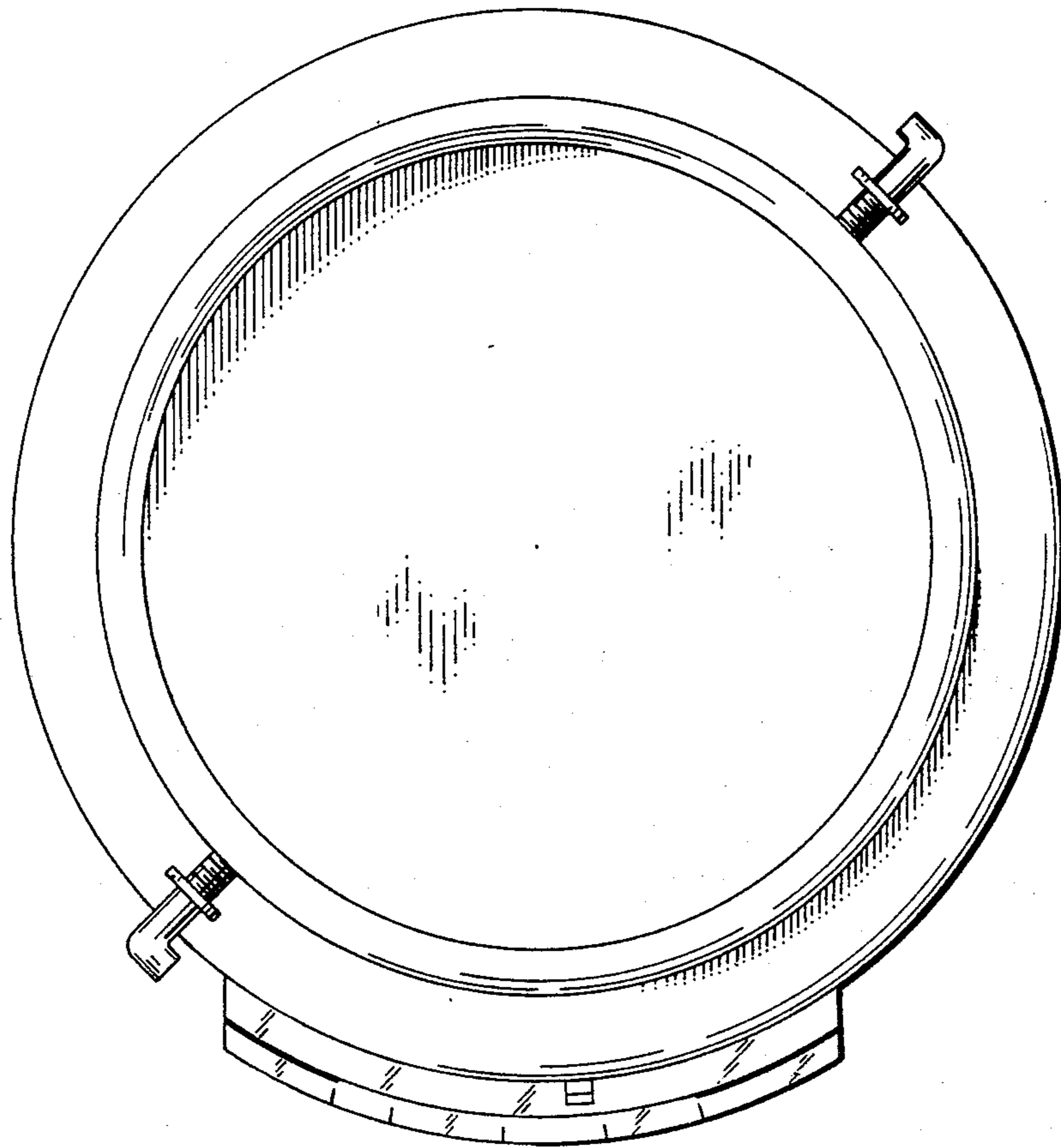


FIG. 4

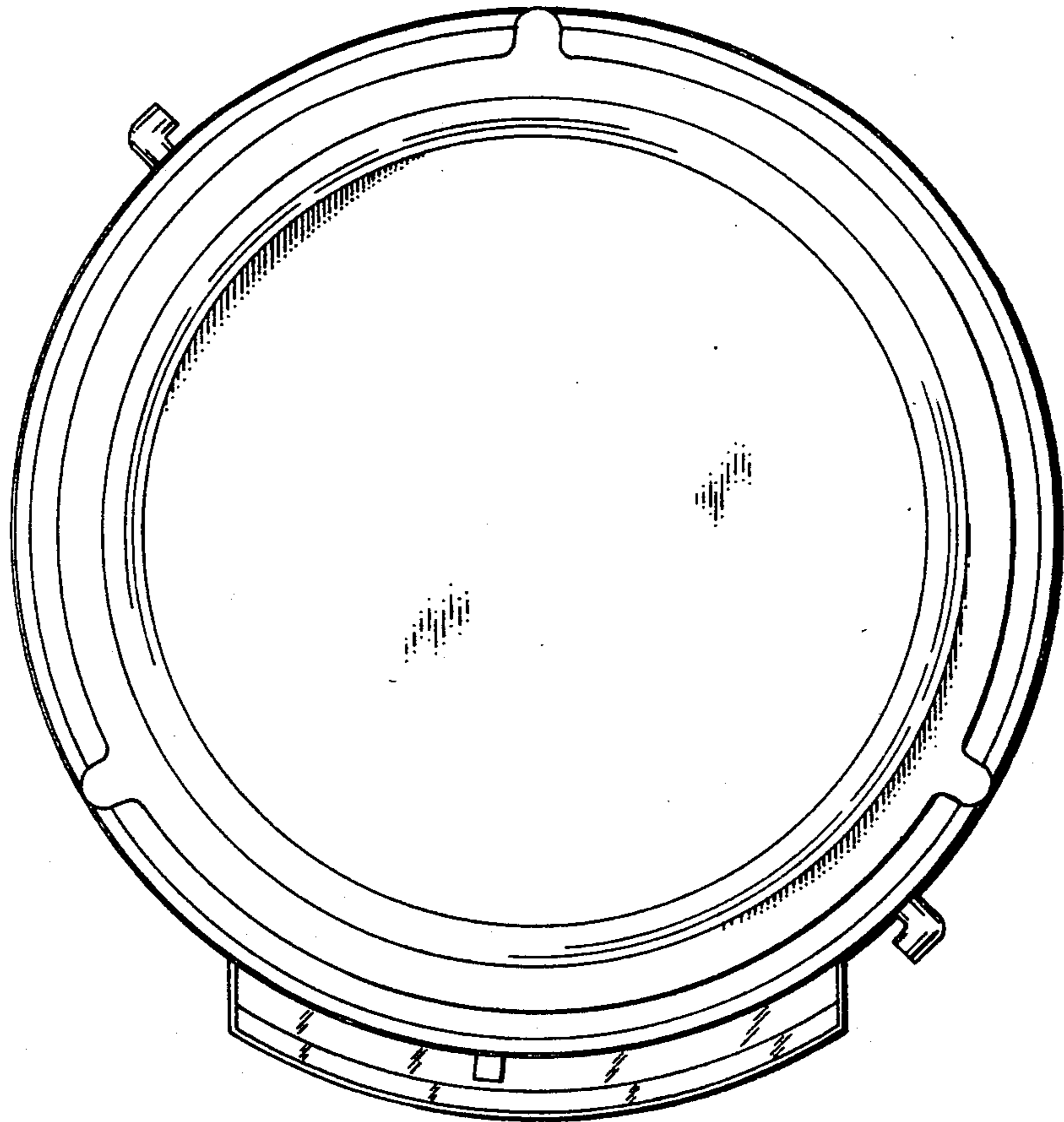


FIG. 5

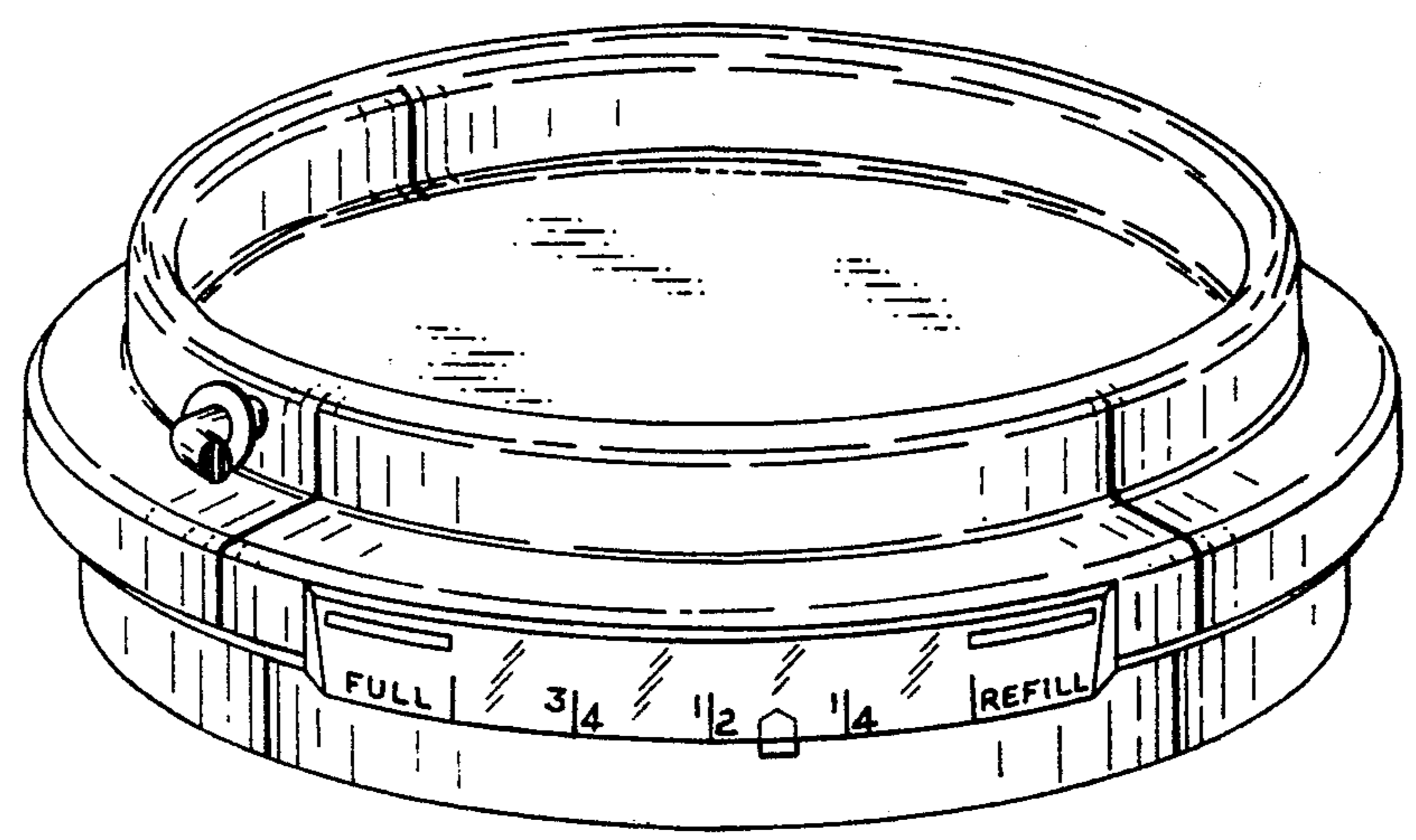


FIG. 6