

[54] HAND HELD DYNAMOMETER

2,644,334 7/1953 Perry 73/379
3,216,259 11/1965 Bendix, Jr. 73/381 X

[76] Inventor: Gary L. Smidt, 8 West Park Rd.,
Iowa City, Iowa 52240

Primary Examiner—Carmen A. Vales
Attorney, Agent, or Firm—Holman & Stern

[**] Term: 14 Years

[57] CLAIM

[21] Appl. No.: 541,320

The ornamental design for a hand held dynamometer,
substantially as shown and described.

[22] Filed: Oct. 12, 1983

[52] U.S. Cl. D10/83

DESCRIPTION

[58] Field of Search 73/379, 381; D10/83,
D10/84, 85, 86

FIG. 1 is a front elevational view of a hand held dynamometer showing my new design;
FIG. 2 is a top plan view thereof;
FIG. 3 is a rear elevational view thereof;
FIG. 4 is a bottom plan view of FIG. 3;
FIG. 5 is a right side elevational view of FIG. 1;
FIG. 6 is a left side elevational view of FIG. 1;
FIG. 7 is a partial perspective view of another embodiment of the bearing pad of the dynamometer shown in FIG. 1; the portions of the dynamometer not shown are identical to those shown in FIGS. 1-6.

[56] References Cited

U.S. PATENT DOCUMENTS

D. 71,829	1/1927	Edwards	D10/86
D. 82,468	11/1930	Weisberg	D10/86
D. 153,639	5/1949	Rupley	D10/85
D. 217,499	5/1970	Pietramale	D10/84
D. 247,553	3/1978	Breuer	D10/83
487,033	11/1892	Kremer	73/379 X

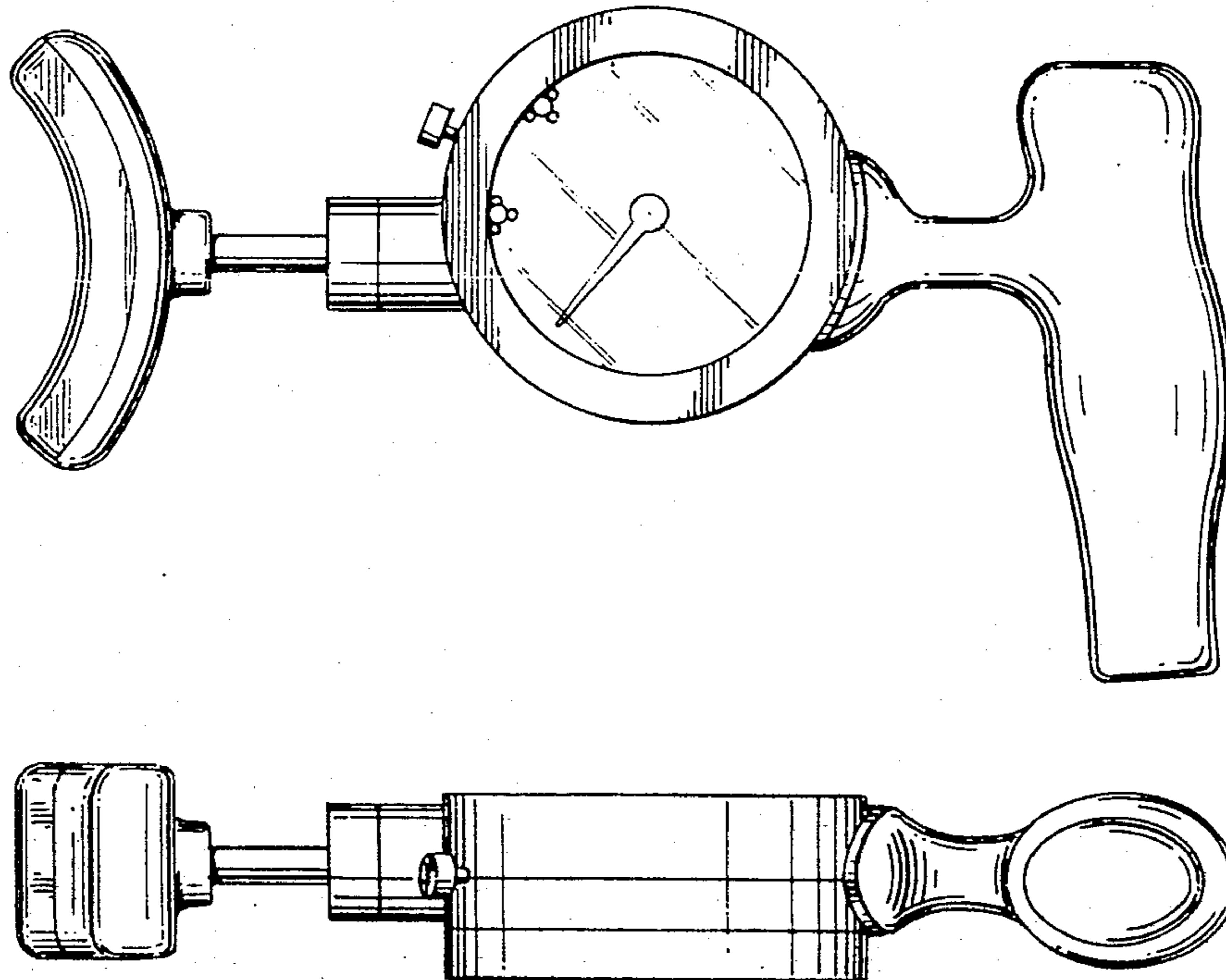


FIG. 1

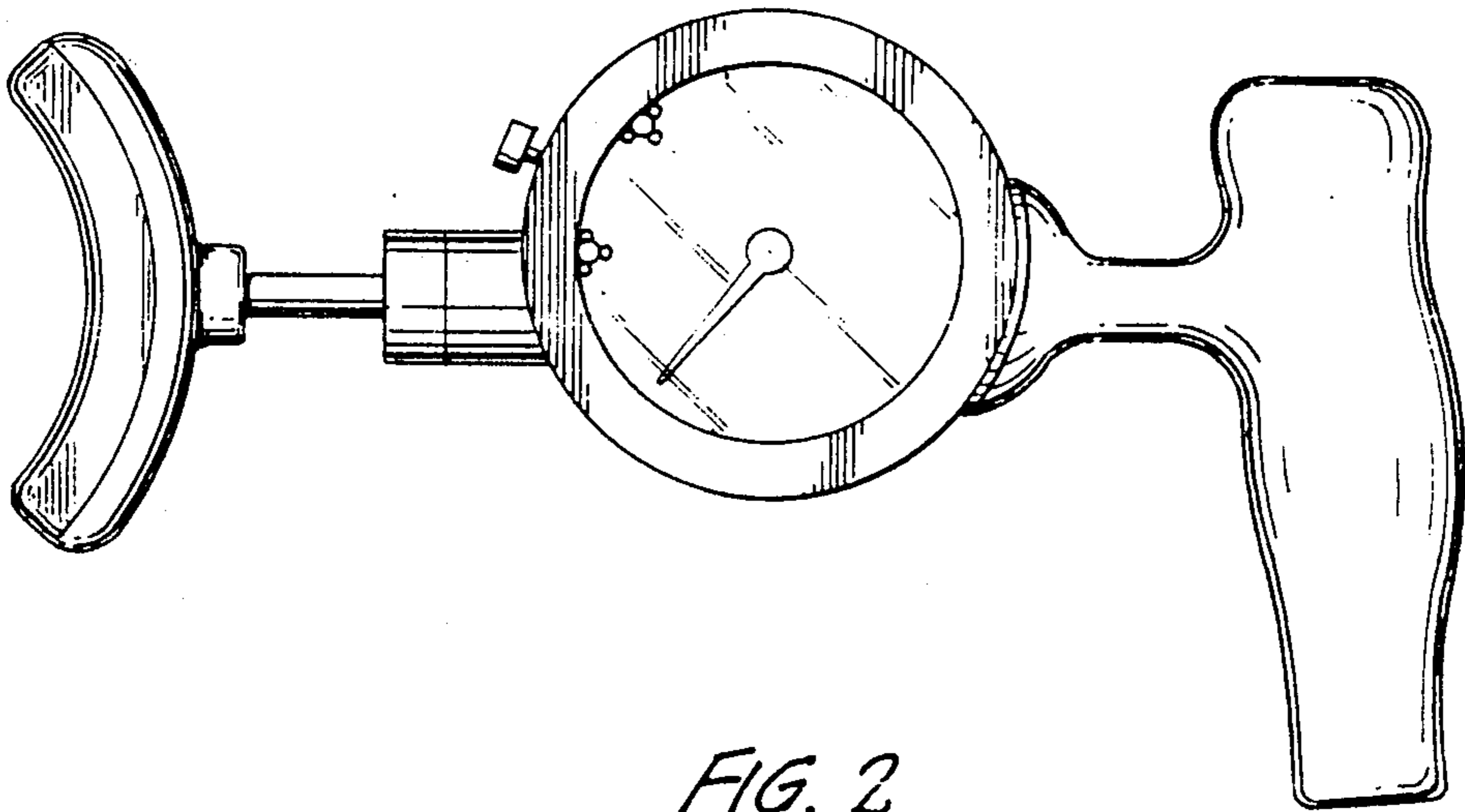


FIG. 2

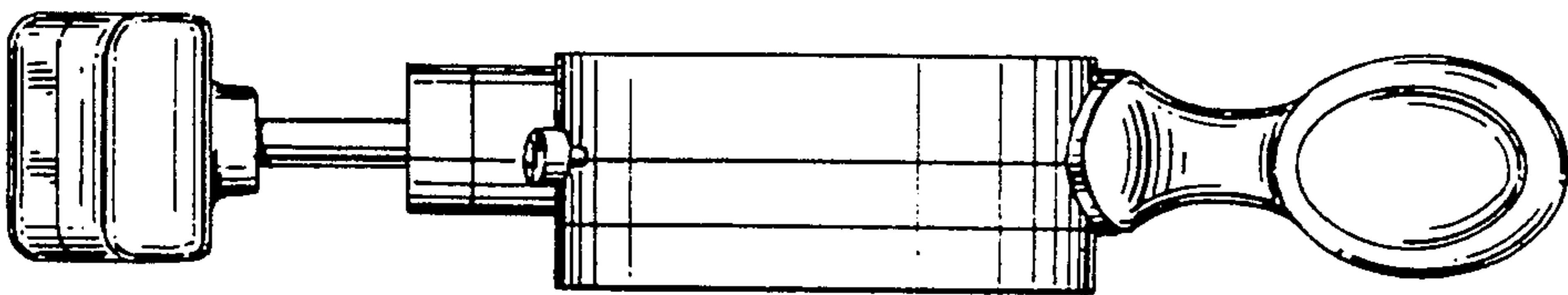


FIG. 3

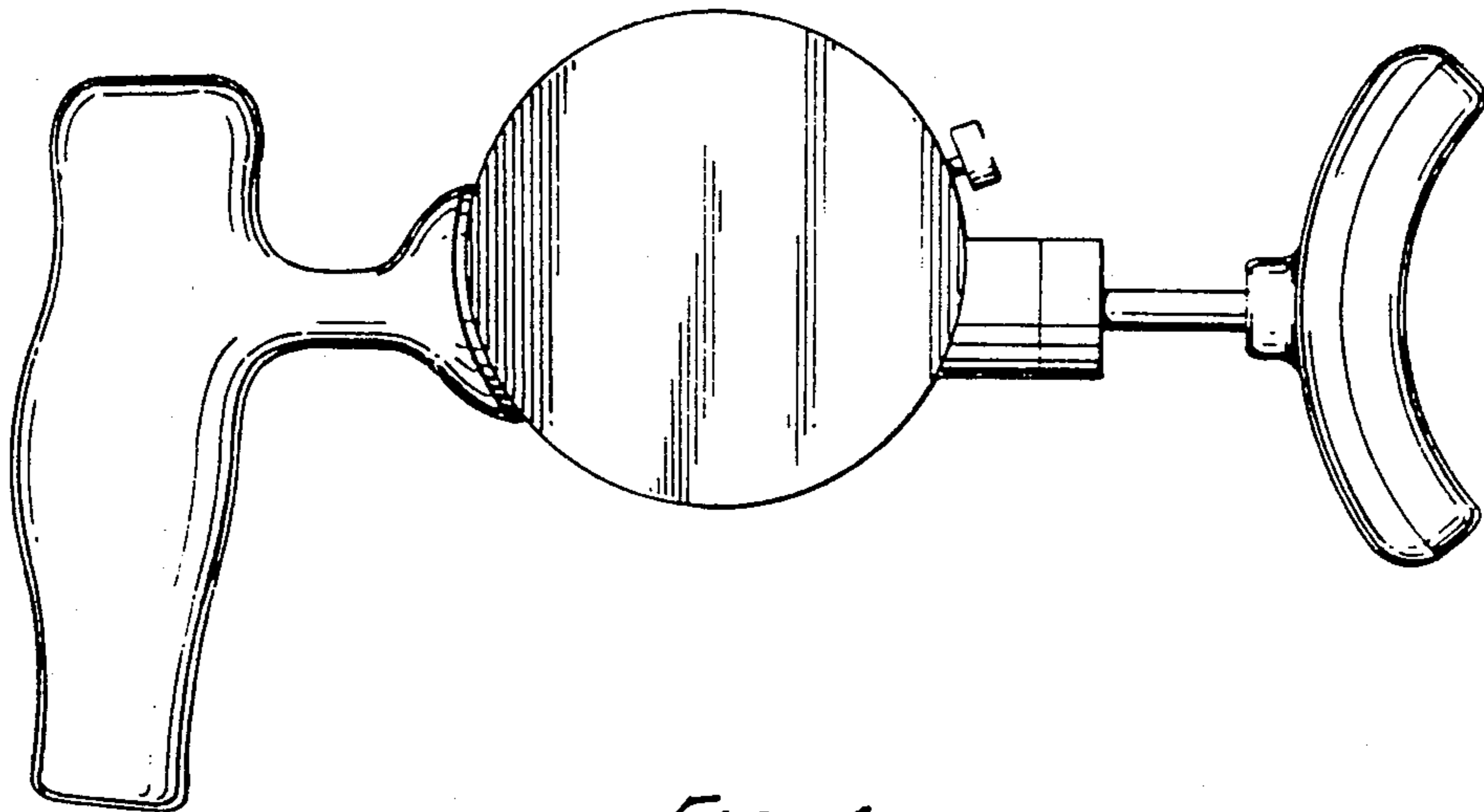


FIG. 4

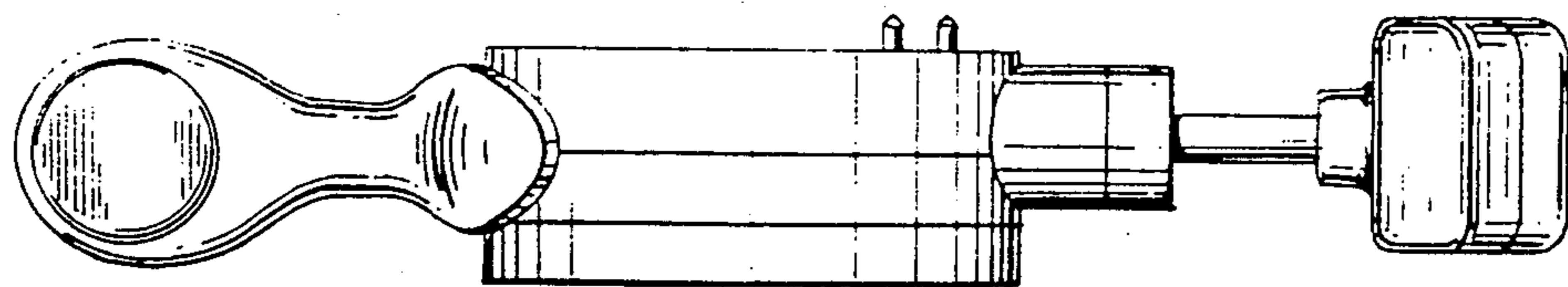


FIG. 5

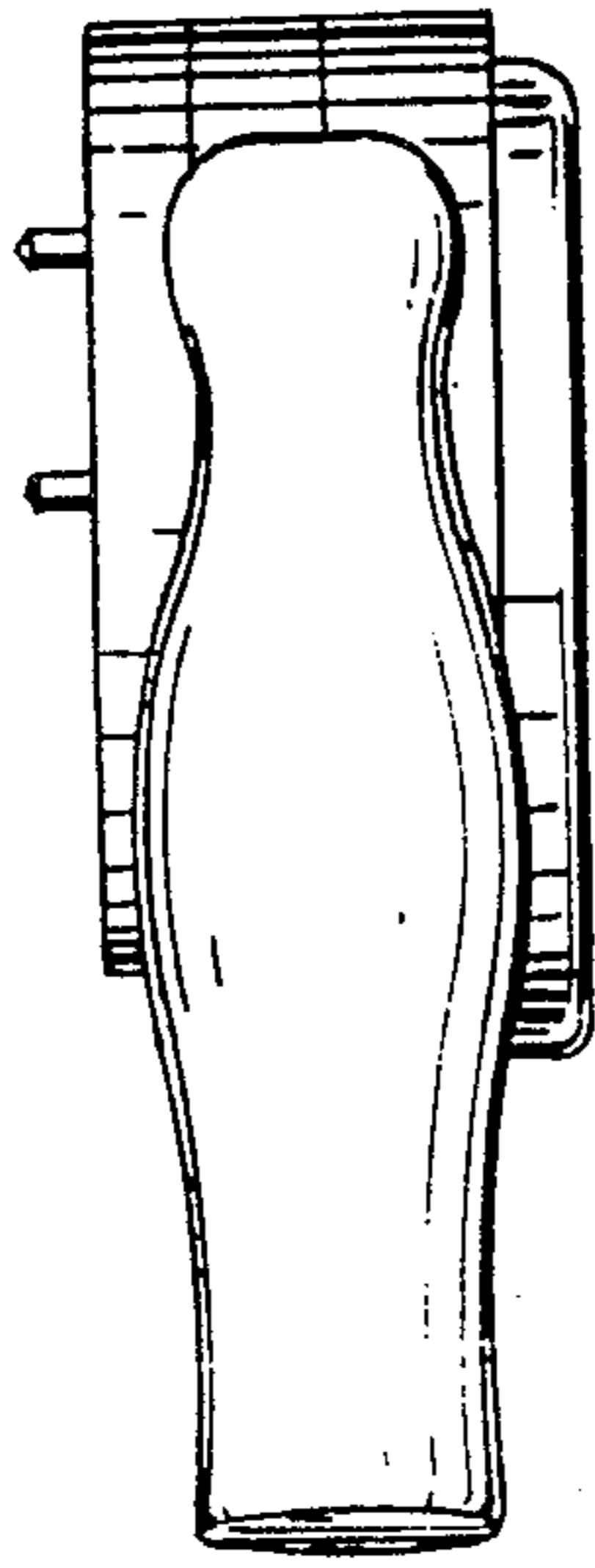


FIG. 6

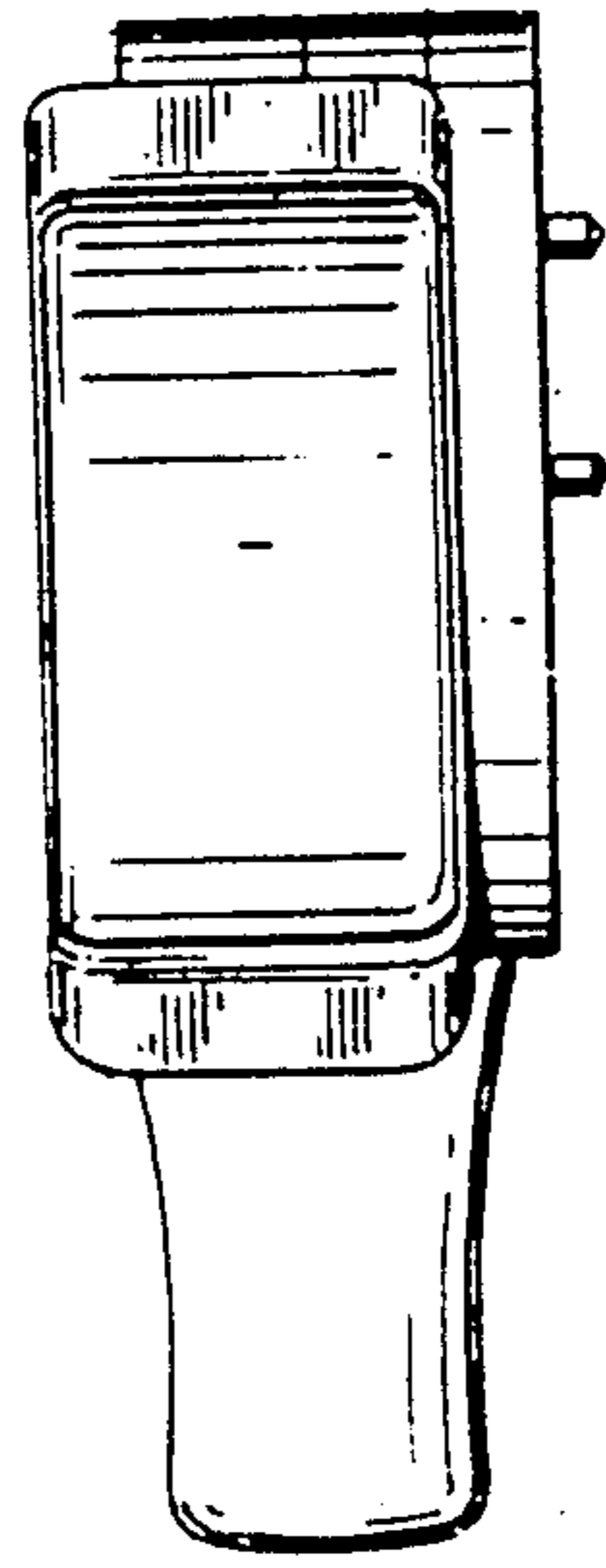


FIG. 7

