

[54] HANDLE FOR AN ATTACHE CASE AND POSTS THEREFOR

[76] Inventor: Herold Kunzler, 81 N. Forest Ave., Rockville Centre, N.Y. 11570

[\*\*] Term: 14 Years

[21] Appl. No.: 646,525

[22] Filed: Sep. 4, 1984

[52] U.S. Cl. .... D8/301; D8/306; D8/317; D8/321

[58] Field of Search ..... D3/72, 76; D8/300, 306, D8/321, 316-320, 301; 16/110 R, 125, 126; 190/115, 116, 117, 39

[56] References Cited

U.S. PATENT DOCUMENTS

D. 124,803	1/1941	Levine .....	D8/321
D. 261,725	11/1981	Stolanz .....	D8/321
2,416,621	2/1947	Gretschel .....	16/114 R
3,082,473	3/1963	West .....	16/126
3,562,849	2/1971	Brayshaw .....	16/126

FOREIGN PATENT DOCUMENTS

0483998 6/1952 Canada ..... D8/301

OTHER PUBLICATIONS

Unicorp Handles Cat. H-6, p. 15; Rectangular Handle.

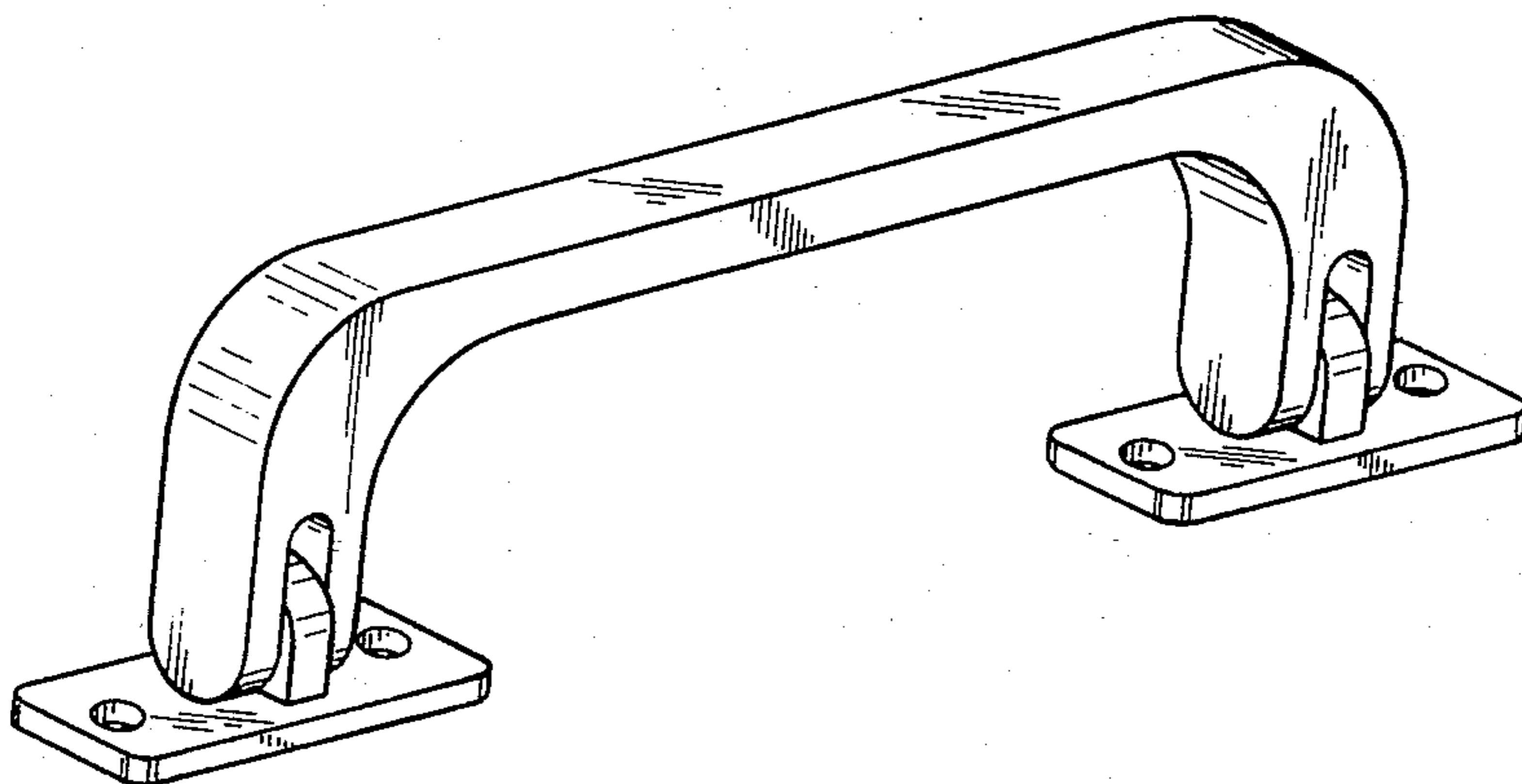
Primary Examiner—B. J. Bullock  
Attorney, Agent, or Firm—Bauer & Amer

[57] CLAIM

The ornamental design for a handle for an attache case and posts therefor, as shown and described.

DESCRIPTION

FIG. 1 is a perspective view of a handle for an attache case and posts therefor showing my new design; FIG. 2 is a top plan view thereof; FIG. 3 is a front elevational view thereof, the rear being identical; FIG. 4 is a bottom plan view thereof; and FIG. 5 is a right side elevational view thereof, and is identical to a left side elevational view thereof.



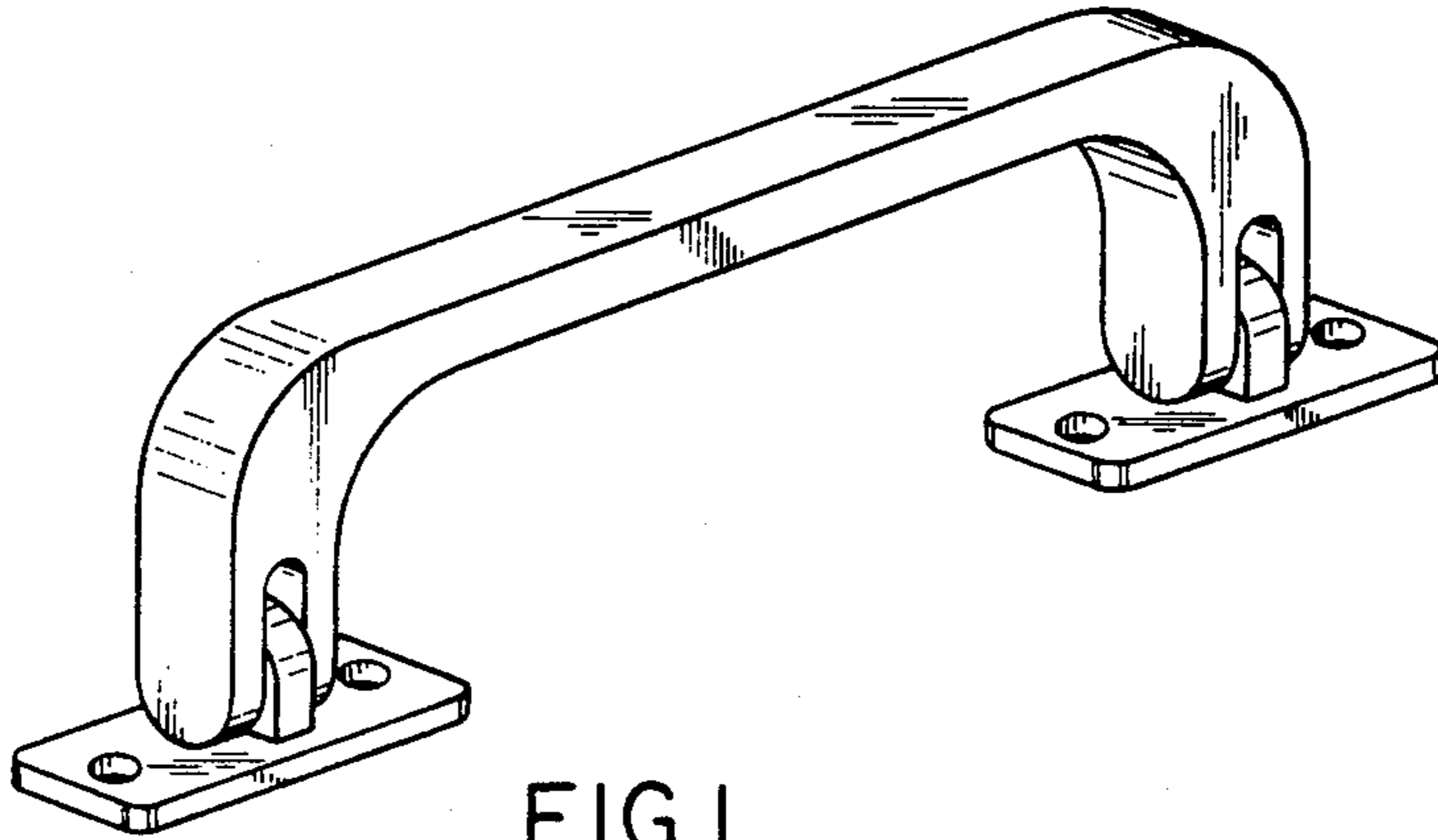


FIG. 1

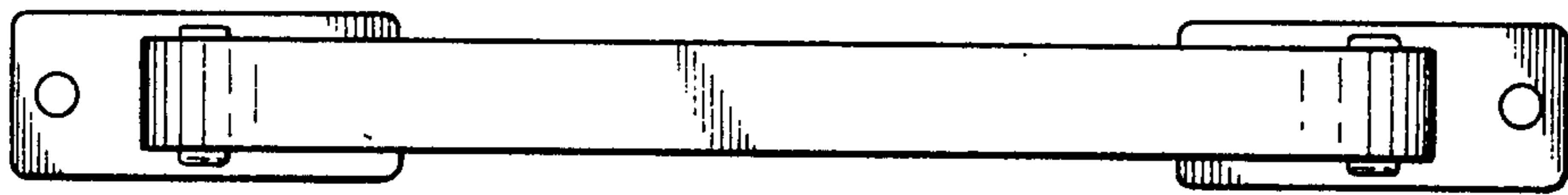


FIG. 2

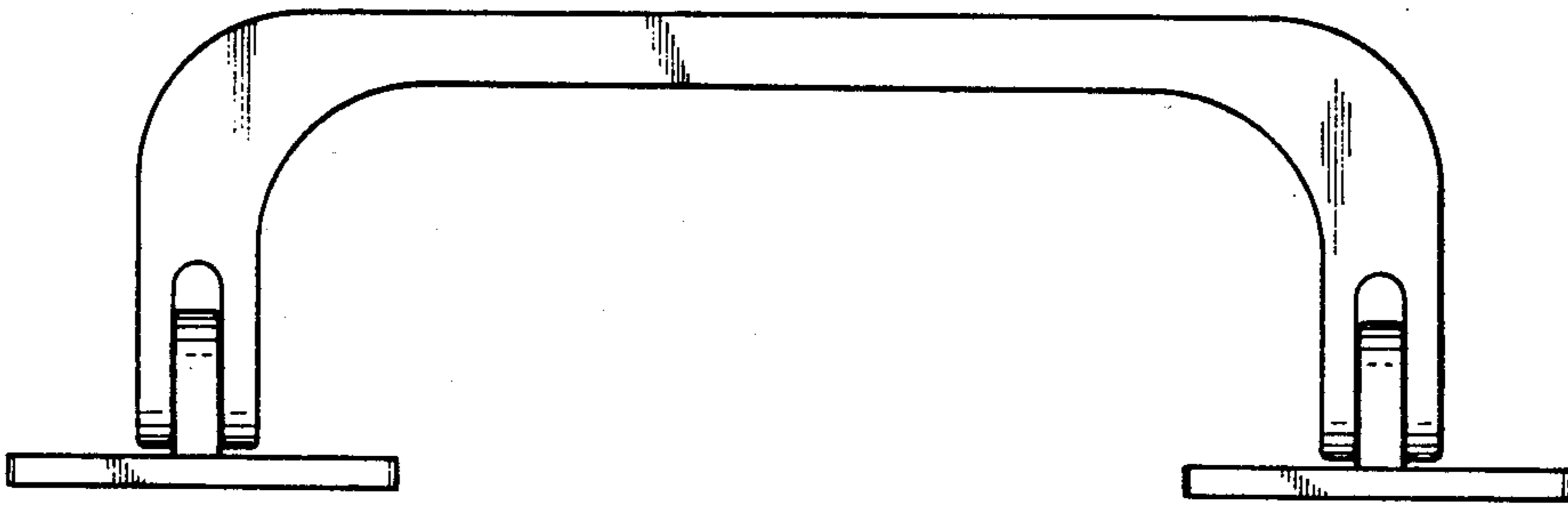


FIG. 3



FIG. 4



FIG. 5