

[54] COMBINED STAND AND HAND GRIP FOR FLAME SPRAYING DEVICE

3,679,171 7/1972 Baranowski, Jr. 431/345 X
3,799,447 3/1974 Beal 239/530 X

[76] Inventor: James Y. Anderson, 2119 Atlantic Blvd., Los Angeles, Calif. 90040

Primary Examiner—Susan J. Lucas
Attorney, Agent, or Firm—Sellers and Brace

[**] Term: 14 Years

[57] CLAIM

[21] Appl. No.: 484,451

The ornamental design for a combined stand and hand grip for a flame spraying device, as shown and described.

[22] Filed: Apr. 13, 1983

[52] U.S. Cl. D8/30

[58] Field of Search D8/30, 107; 239/74, 239/525, 530, 273, 275, 279, 285; 431/345; 266/48, 55, 77

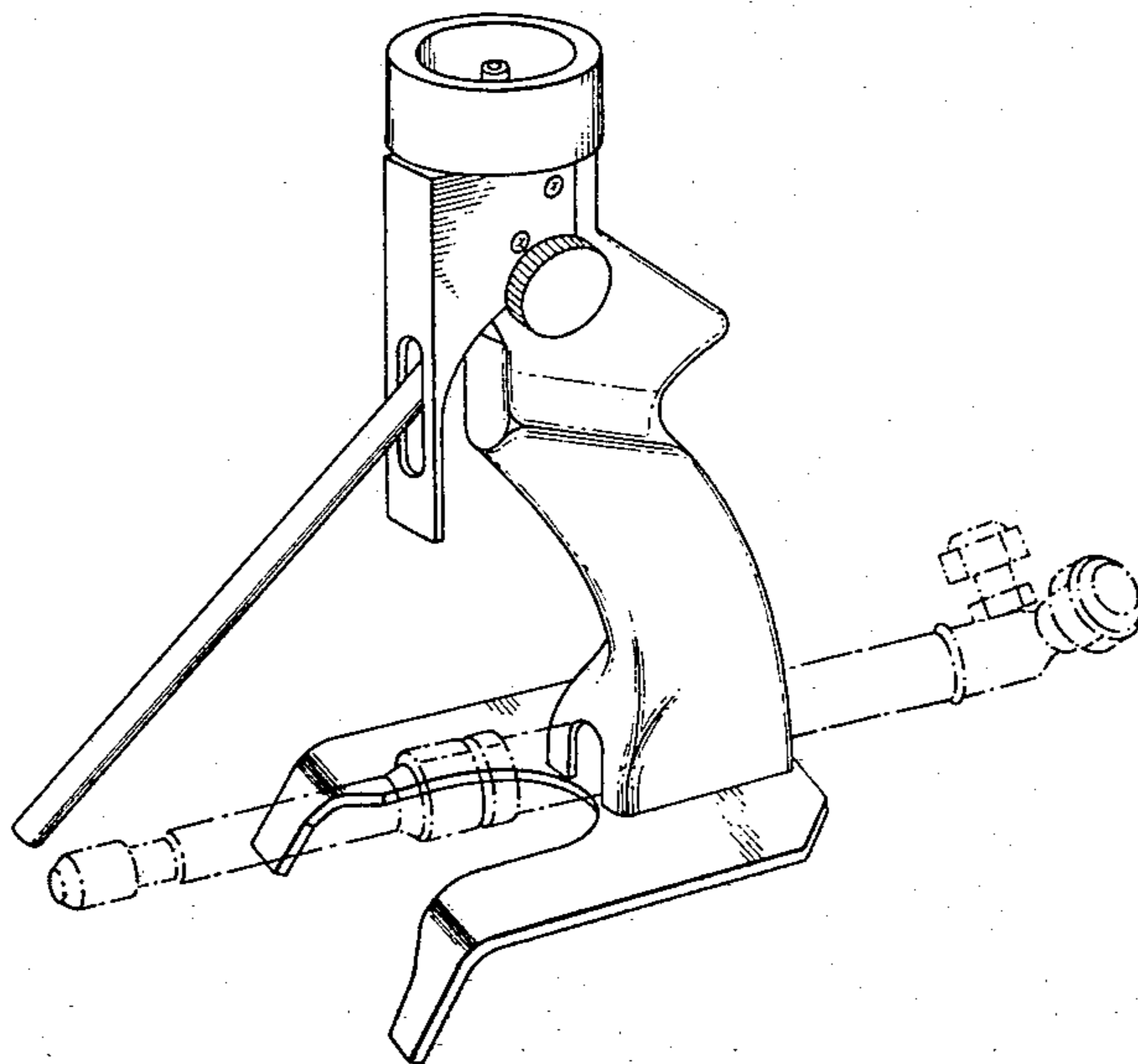
DESCRIPTION

[56] References Cited

U.S. PATENT DOCUMENTS

- D. 240,010 5/1976 Manning D8/30 X
- D. 259,851 7/1981 Audemars et al. D8/30
- 1,368,099 2/1921 Bayers 239/273
- 2,919,071 12/1959 Dalton 239/273
- 3,371,681 3/1968 Thomas 239/74 X

FIG. 1 is a front, right side perspective view of a combined stand and hand grip for a flame spraying device showing my new design, flame spraying device being shown in broken lines for illustrative purposes only; FIG. 2 is a rear elevational view thereof on an enlarged scale; FIG. 3 is a top plan view thereof on an enlarged scale; and FIG. 4 is a left side elevational view thereof on an enlarged scale.



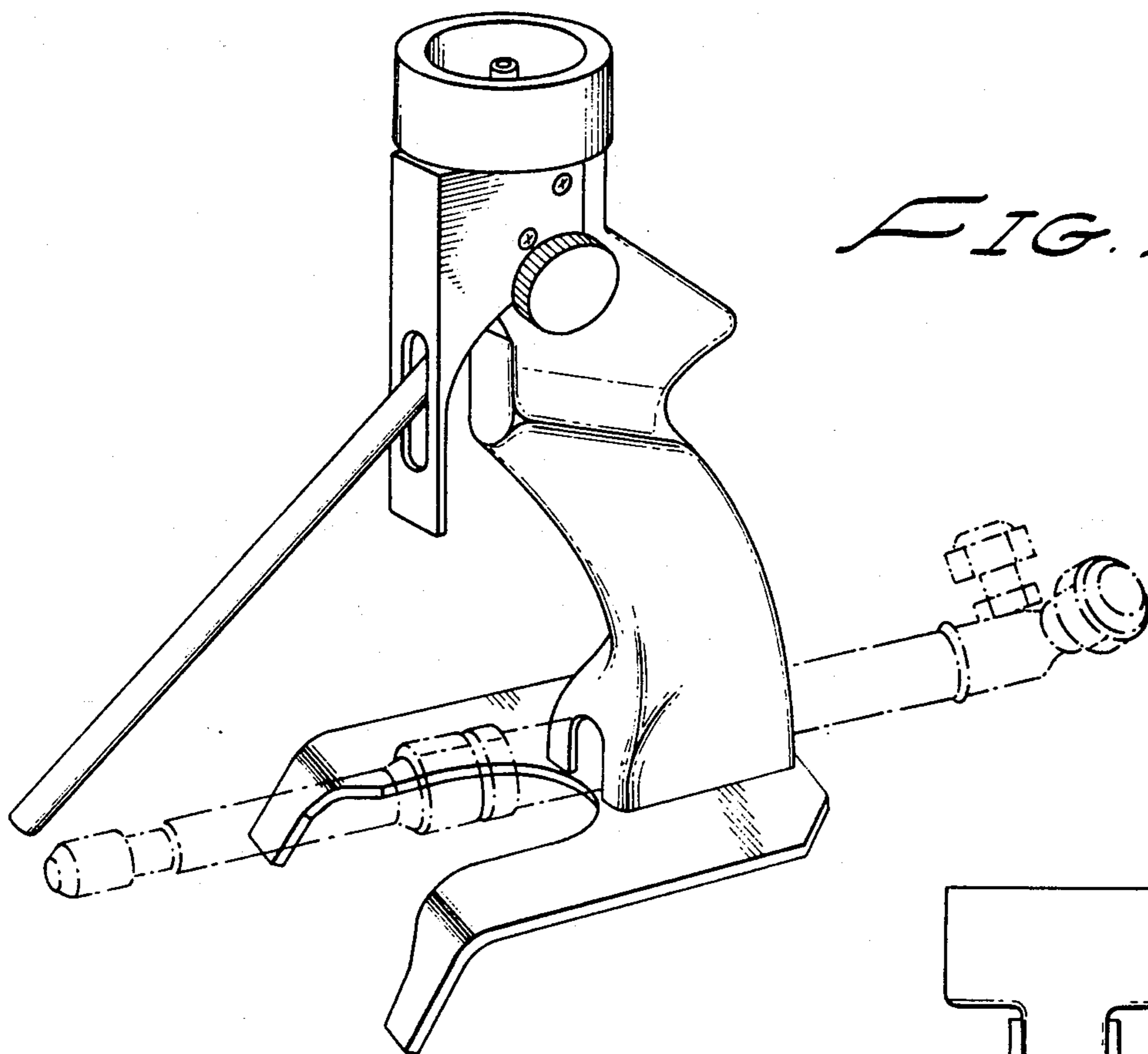


FIG. 1.

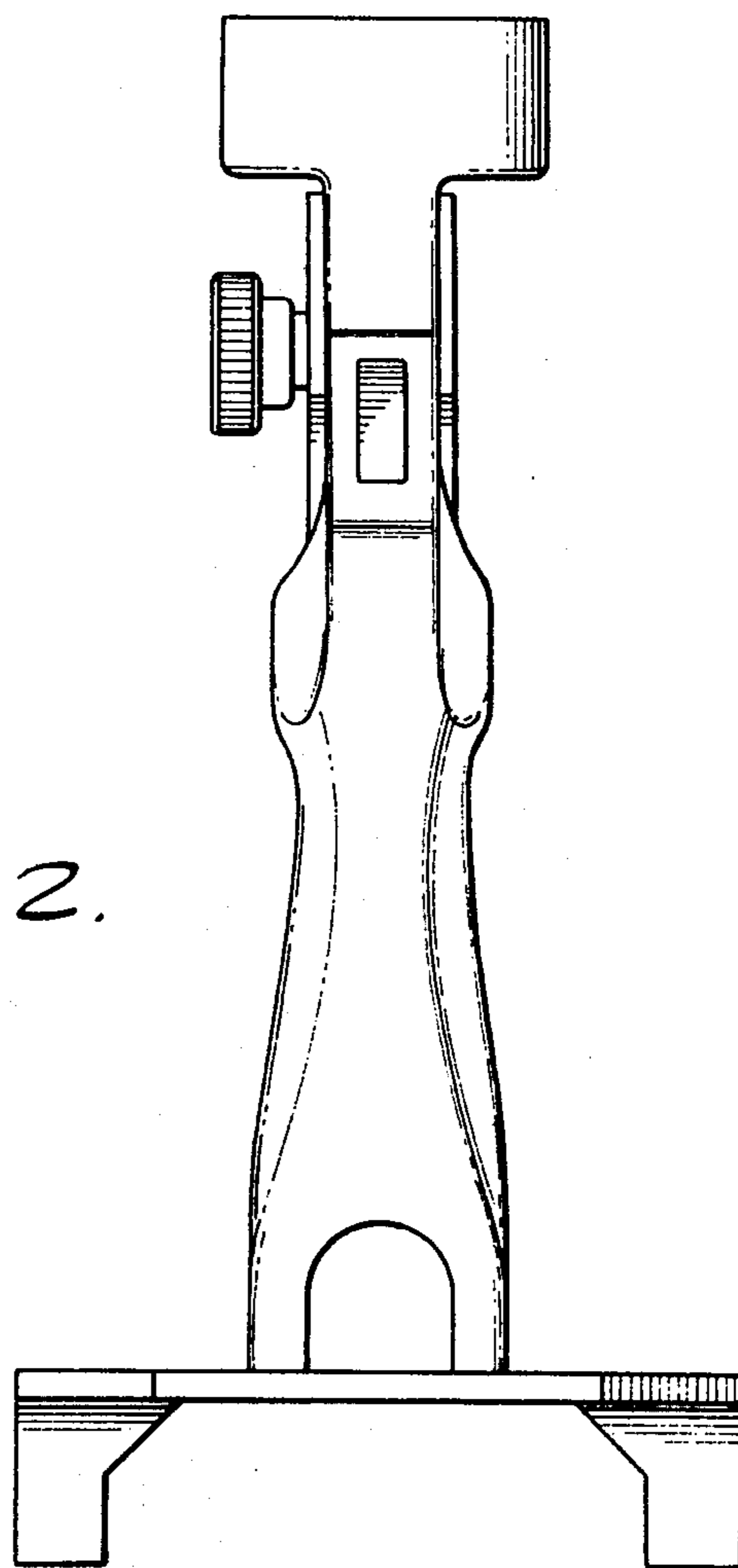


FIG. 2.

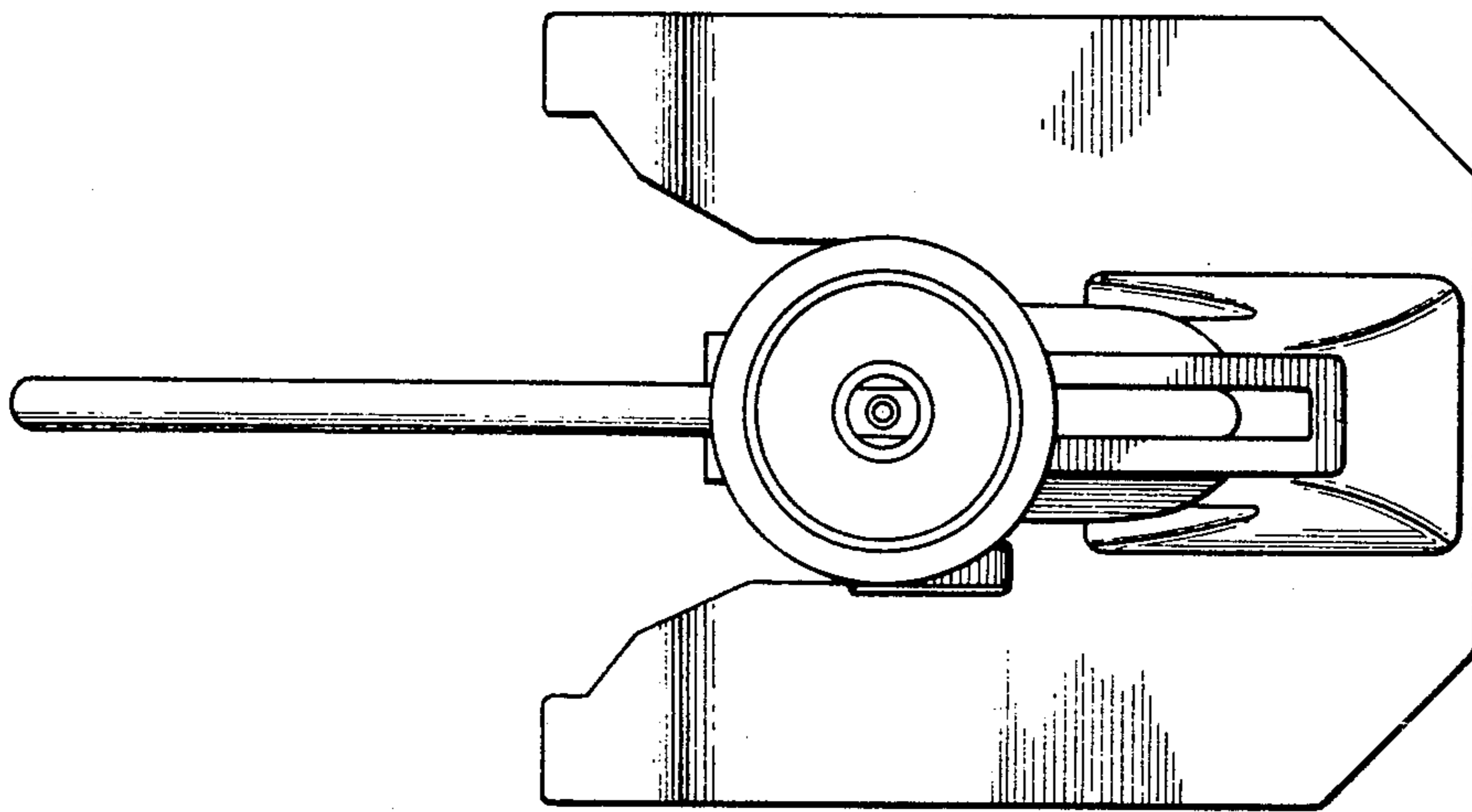


FIG. 3.

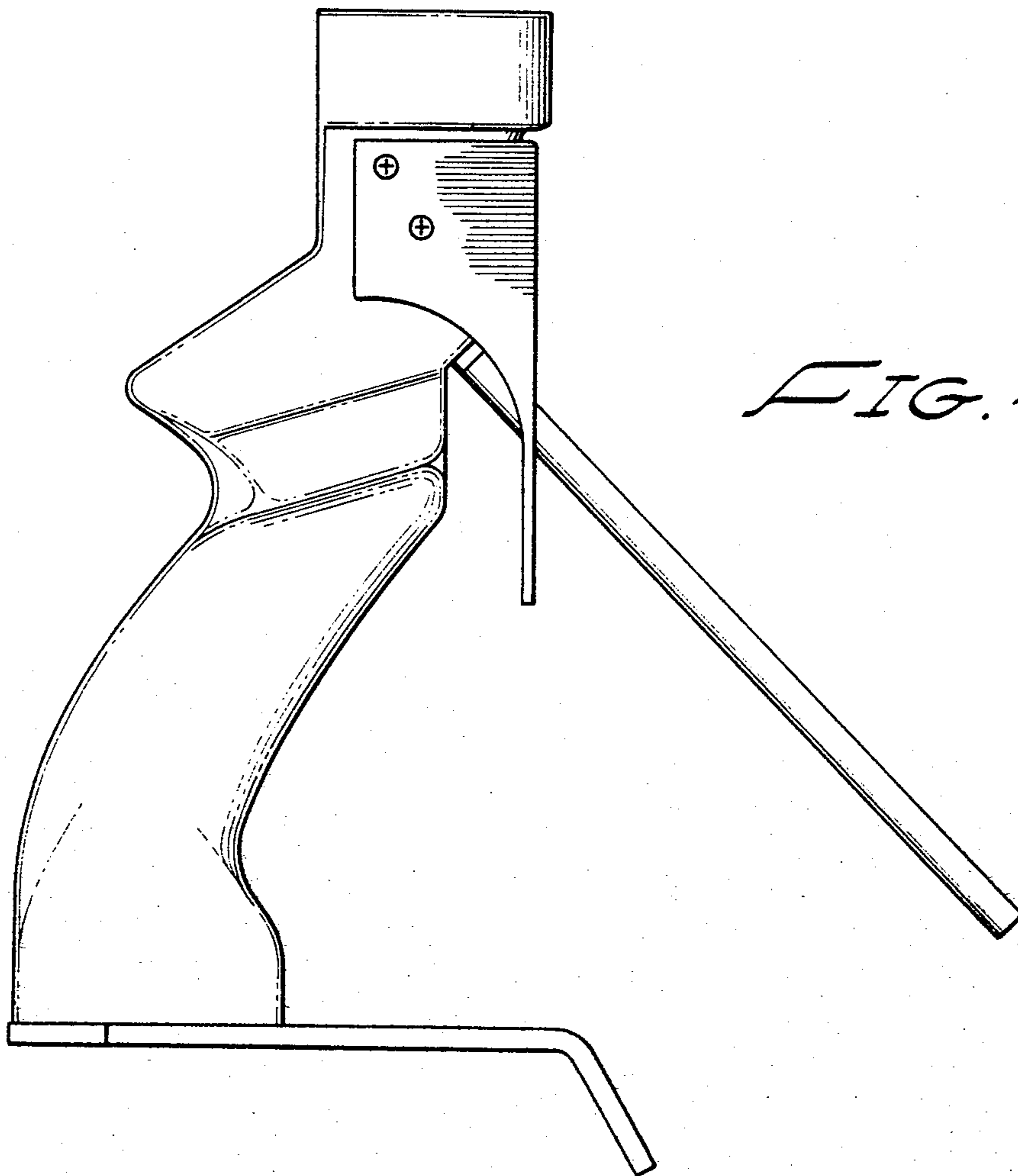


FIG. 4.