

[54] COMBINED FID AND STITCHER FOR SPLICING BRAIDED LINE

[76] Inventor: James D. McGrew, 8120 Rio Linda Blvd., Elverta, Calif. 95626

[\*\*] Term: 14 Years

[21] Appl. No.: 560,711

[22] Filed: Dec. 12, 1983

[52] U.S. Cl. .... D8/14; 57/23

[58] Field of Search ..... D8/14, 51, 107; 57/22, 57/23

[56] References Cited

U.S. PATENT DOCUMENTS

1,058,917	4/1913	Squire	57/23
1,540,373	6/1925	Squire	57/23
2,702,983	3/1955	Mische	57/22 X
3,097,474	7/1963	Rohdenburg	57/23
3,334,477	8/1967	Morin et al.	57/22 X
3,858,848	1/1975	Macfetrich	D8/14 X

FOREIGN PATENT DOCUMENTS

1299625 12/1972 United Kingdom ..... 57/23

OTHER PUBLICATIONS

Neuses Cable Tools Brochure, Cable Wire Puller No. N-2257.

Primary Examiner—Susan J. Lucas

Assistant Examiner—C. E. Heflin

Attorney, Agent, or Firm—Lothrop & West

[57] CLAIM

The ornamental design for a combined fid and stitcher for splicing braided line, as shown.

DESCRIPTION

FIG. 1 is a perspective view of a combined fid and stitcher for splicing braided line, showing my new design;

FIG. 2 is a side elevational view of one side thereof;

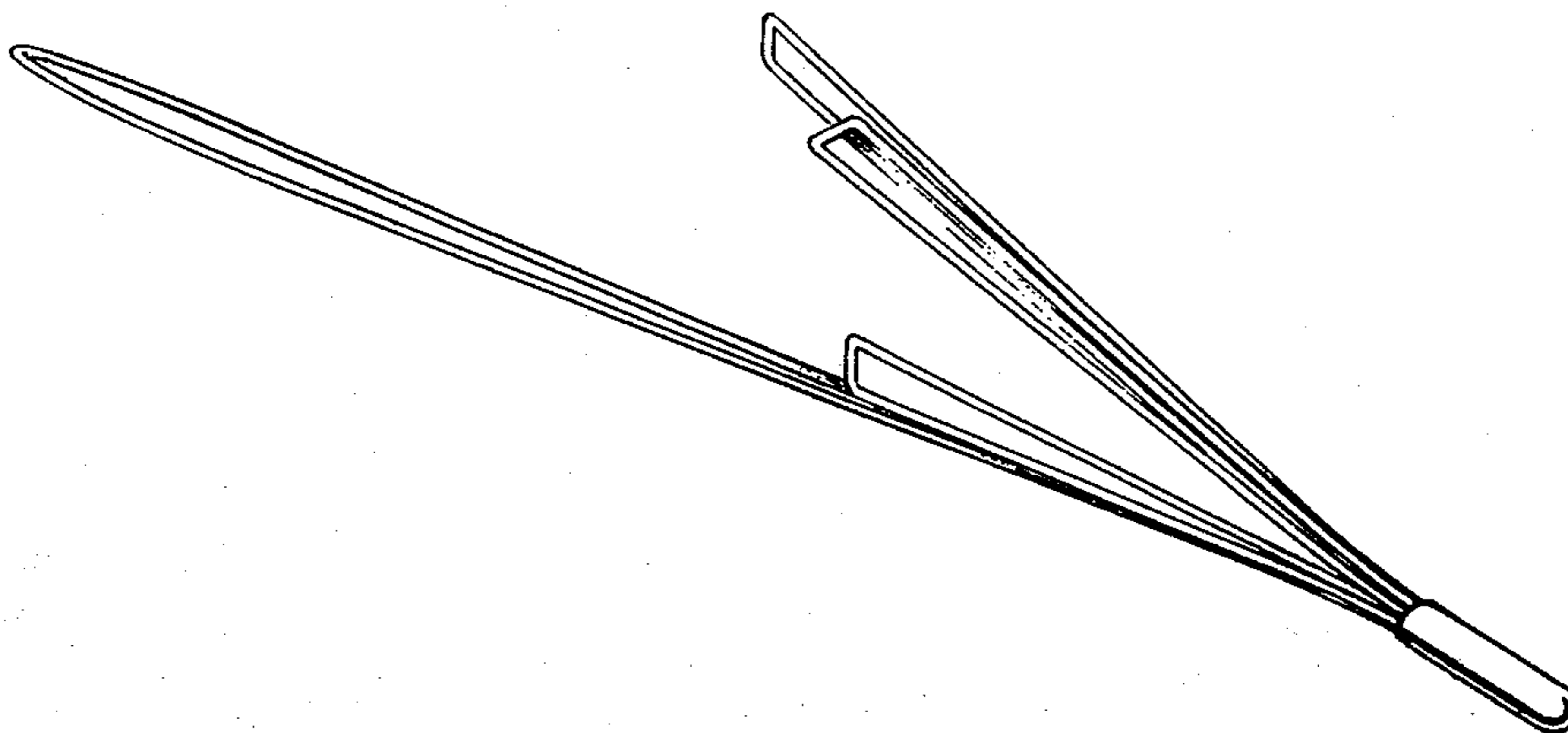
FIG. 3 is a top plan view thereof;

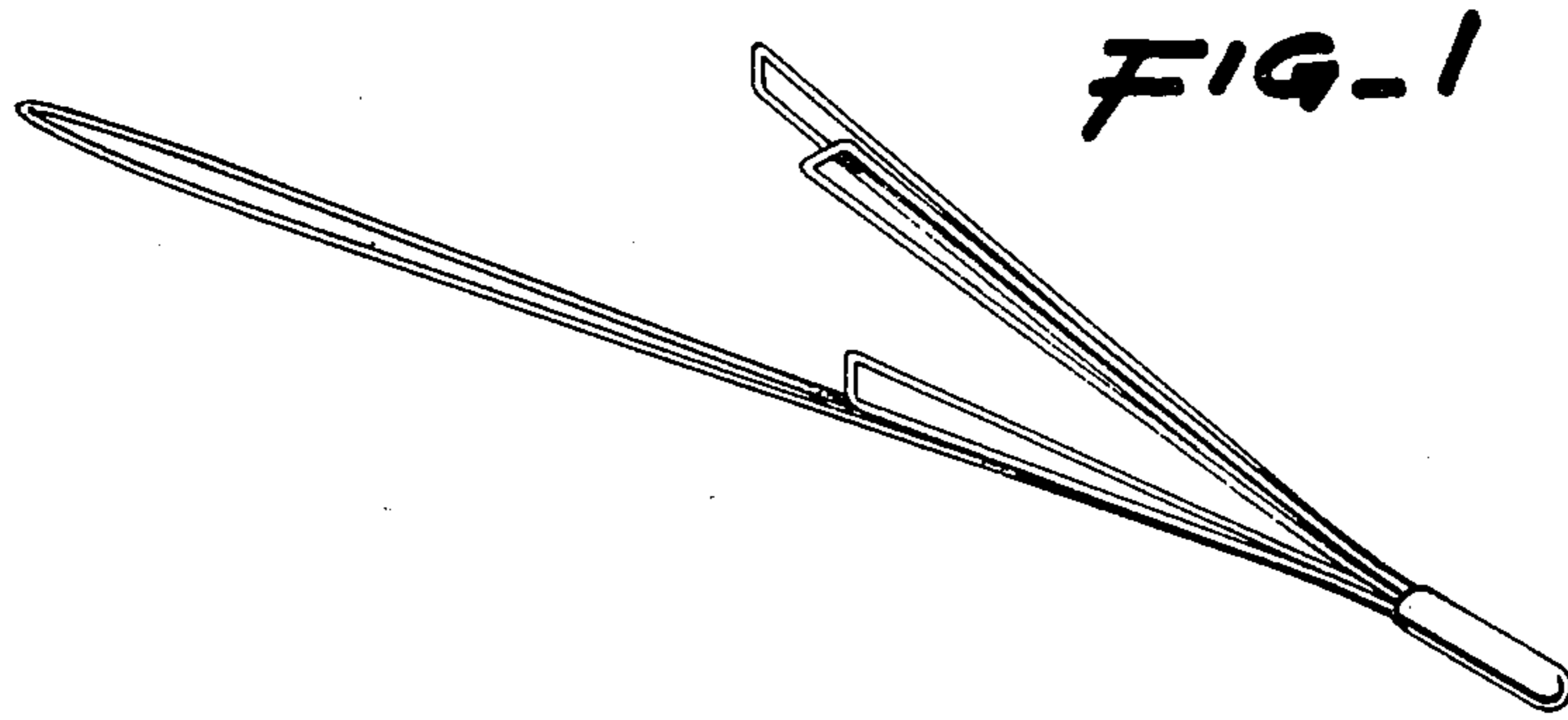
FIG. 4 is a side elevational view of the other side thereof;

FIG. 5 is a bottom plan view thereof;

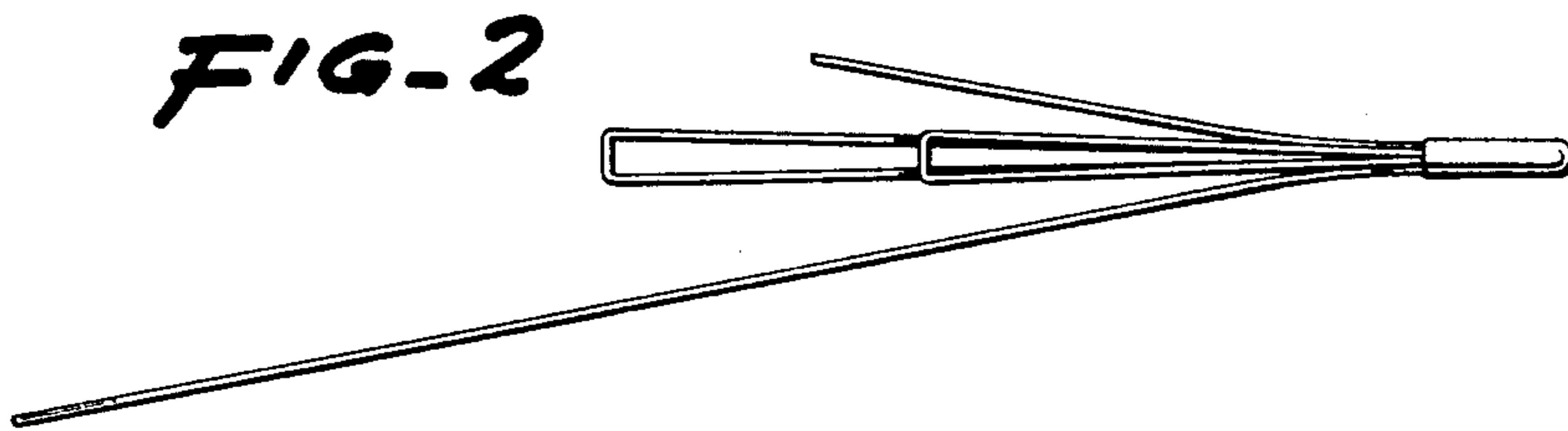
FIG. 6 is a front end elevational view thereof; and,

FIG. 7 is a rear end elevational view thereof.

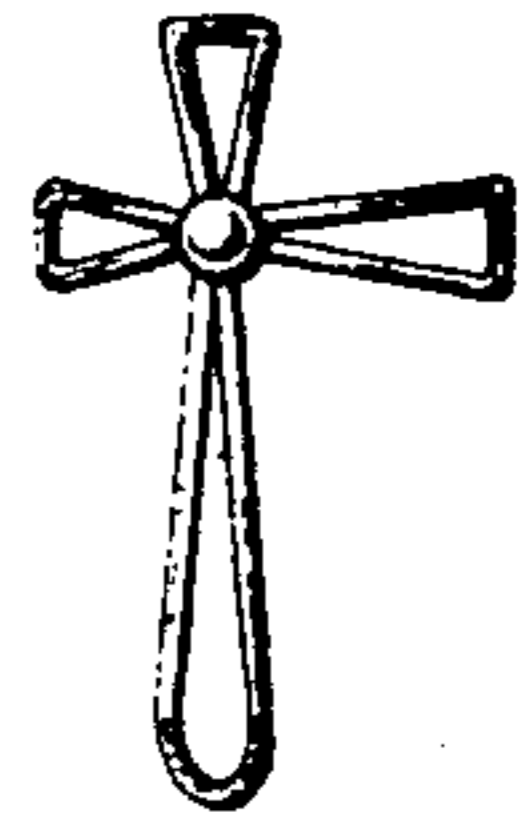




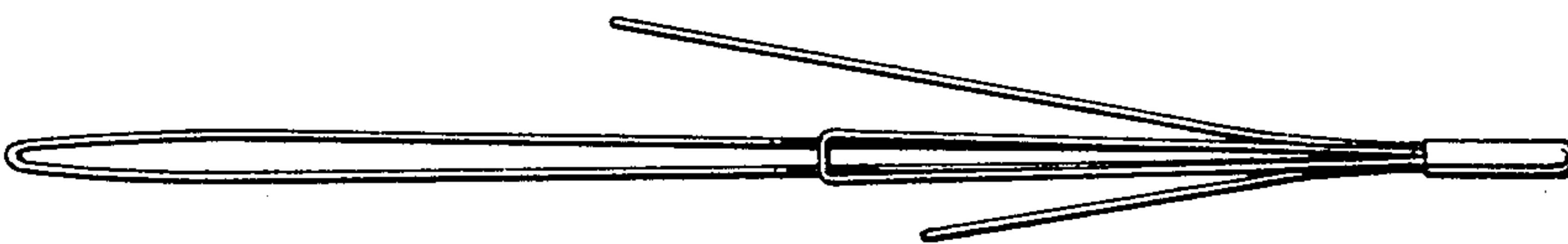
*FIG-1*



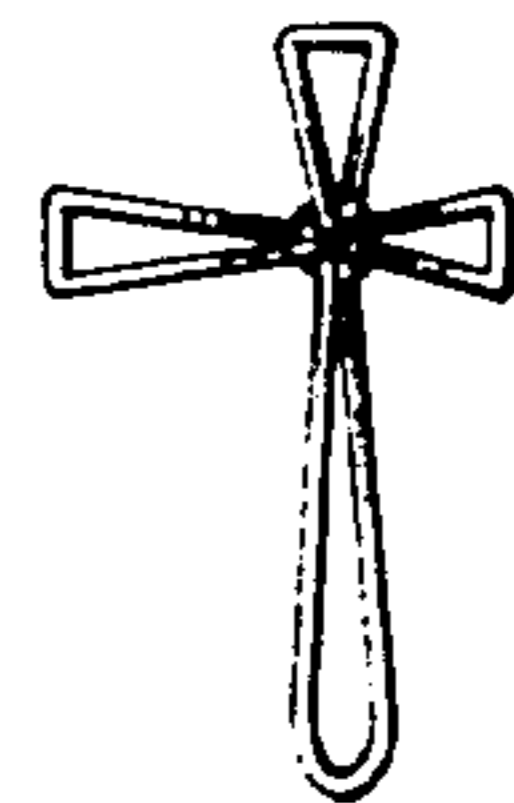
*FIG-2*



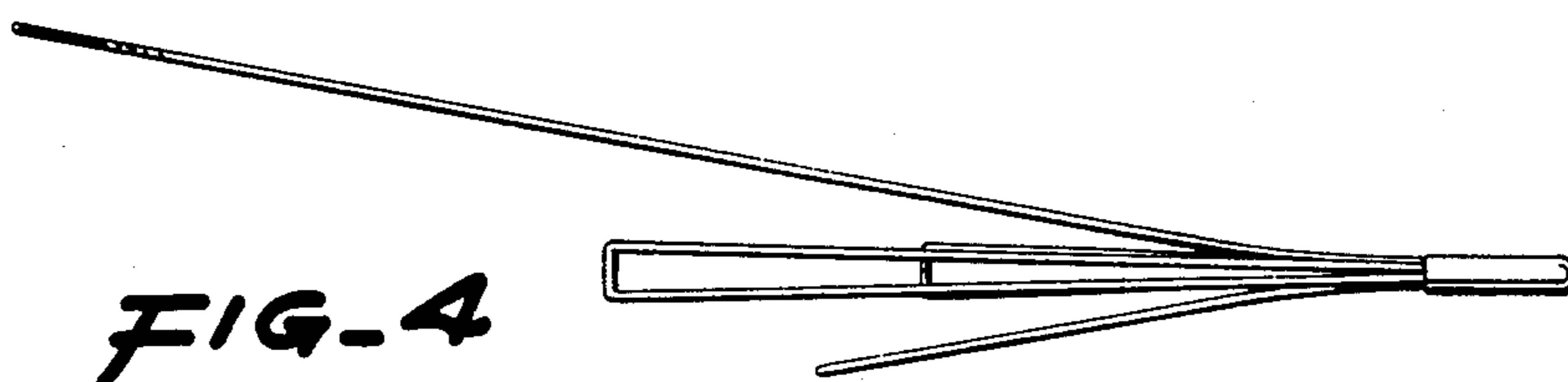
*FIG-6*



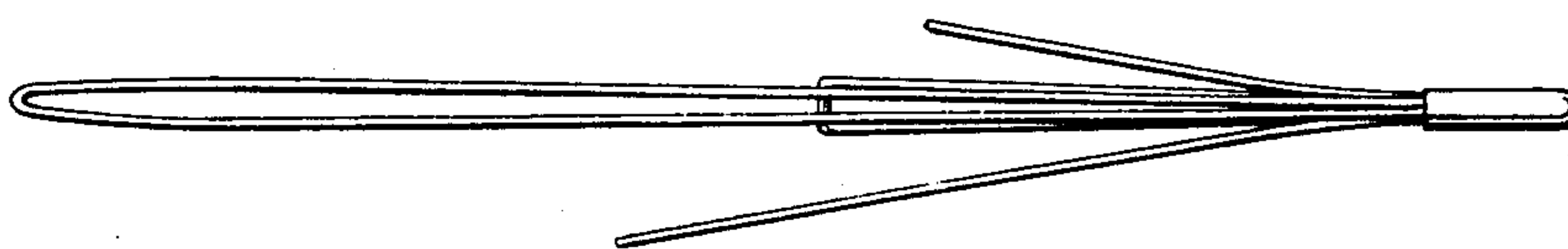
*FIG-3*



*FIG-7*



*FIG-4*



*FIG-5*