

[54] SLICING MACHINE

[75] Inventor: Albrecht Friz, Giengen, Fed. Rep. of Germany

[73] Assignee: Bosch-Siemens Hausgerate GmbH, Stuttgart, Fed. Rep. of Germany

[\*\*] Term: 14 Years

[21] Appl. No.: 519,825

[22] Filed: Aug. 3, 1983

[30] Foreign Application Priority Data

Feb. 3, 1983 [DE] Fed. Rep. of Germany .... MR 5571  
[52] U.S. Cl. .... D7/383  
[58] Field of Search .... D7/381-386,  
D7/376-379, 412; 83/707, 713-730

[56] References Cited

U.S. PATENT DOCUMENTS

- D. 113,839 3/1939 Hand ..... D7/383
- D. 180,304 5/1957 Van Duyn ..... D7/383
- D. 262,860 2/1982 Loiseau ..... D7/383
- D. 263,712 4/1982 Rixen ..... D7/383
- 3,713,470 1/1973 Müller et al. .... 83/718

- 4,116,099 9/1978 Mayer ..... 83/707 X
- 4,246,821 1/1981 Fuse ..... 83/707
- 4,273,013 6/1981 Artin et al. .... 83/729 X

OTHER PUBLICATIONS

*Best Products*, p. 194 Waring Thin Slicer Item 3.  
W. Bell & Co. 1981, p. 301 Oster Meat/Food Slicer (Item A).

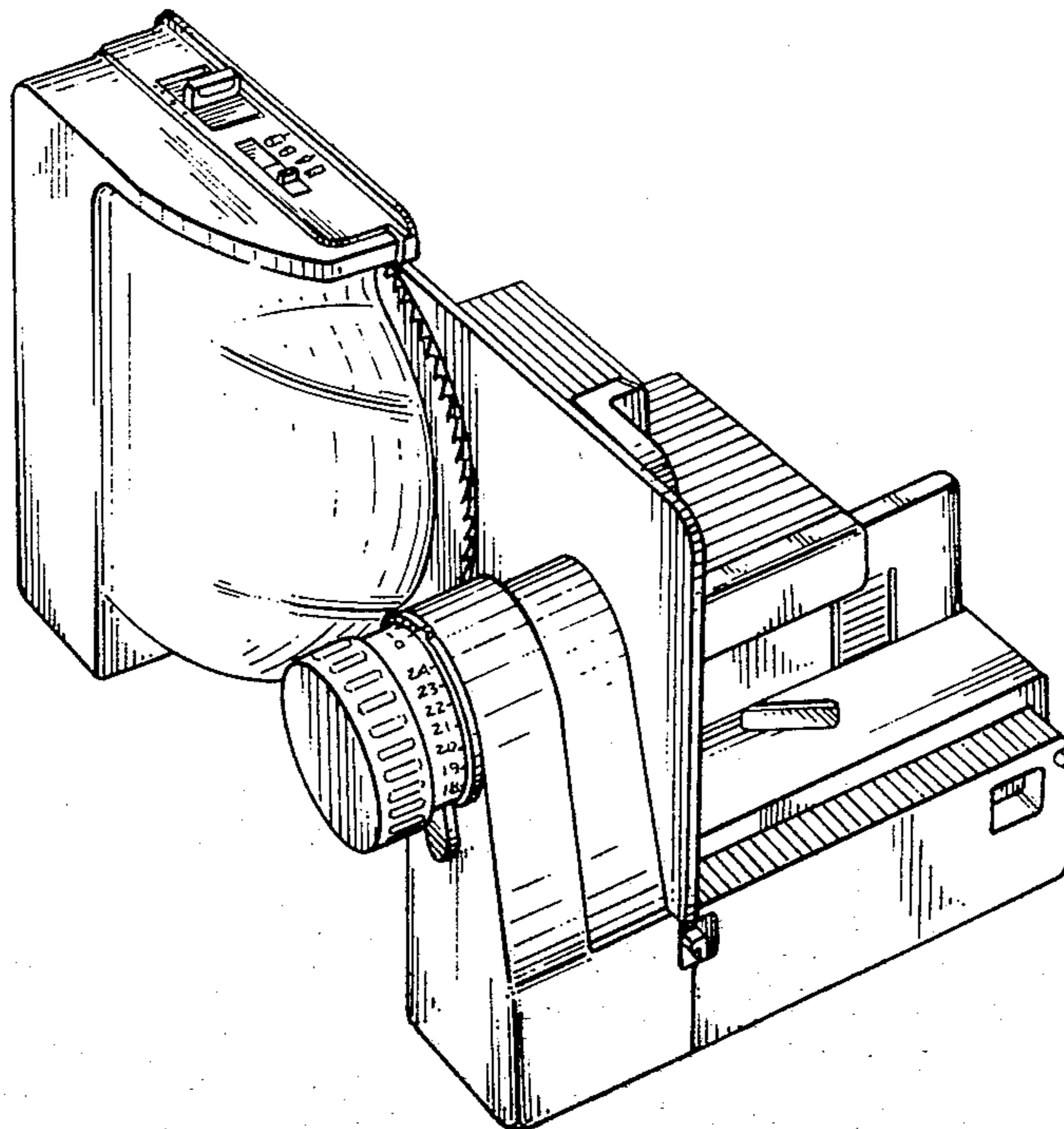
*Primary Examiner*—Bernard Ansher  
*Assistant Examiner*—Linda Titolo  
*Attorney, Agent, or Firm*—Herbert L. Lerner; Laurence A. Greenberg

[57] CLAIM

The ornamental design for a slicing machine, as shown and described.

DESCRIPTION

FIG. 1 is a top plan view of a slicing machine showing my new design;  
FIG. 2 is a front elevational view thereof;  
FIG. 3 is a right side elevational view thereof;  
FIG. 4 is a left side elevational view thereof;  
FIG. 5 is a bottom plan view thereof;  
FIG. 6 is a rear elevational view thereof; and  
FIG. 7 is a top, front left side perspective view thereof.



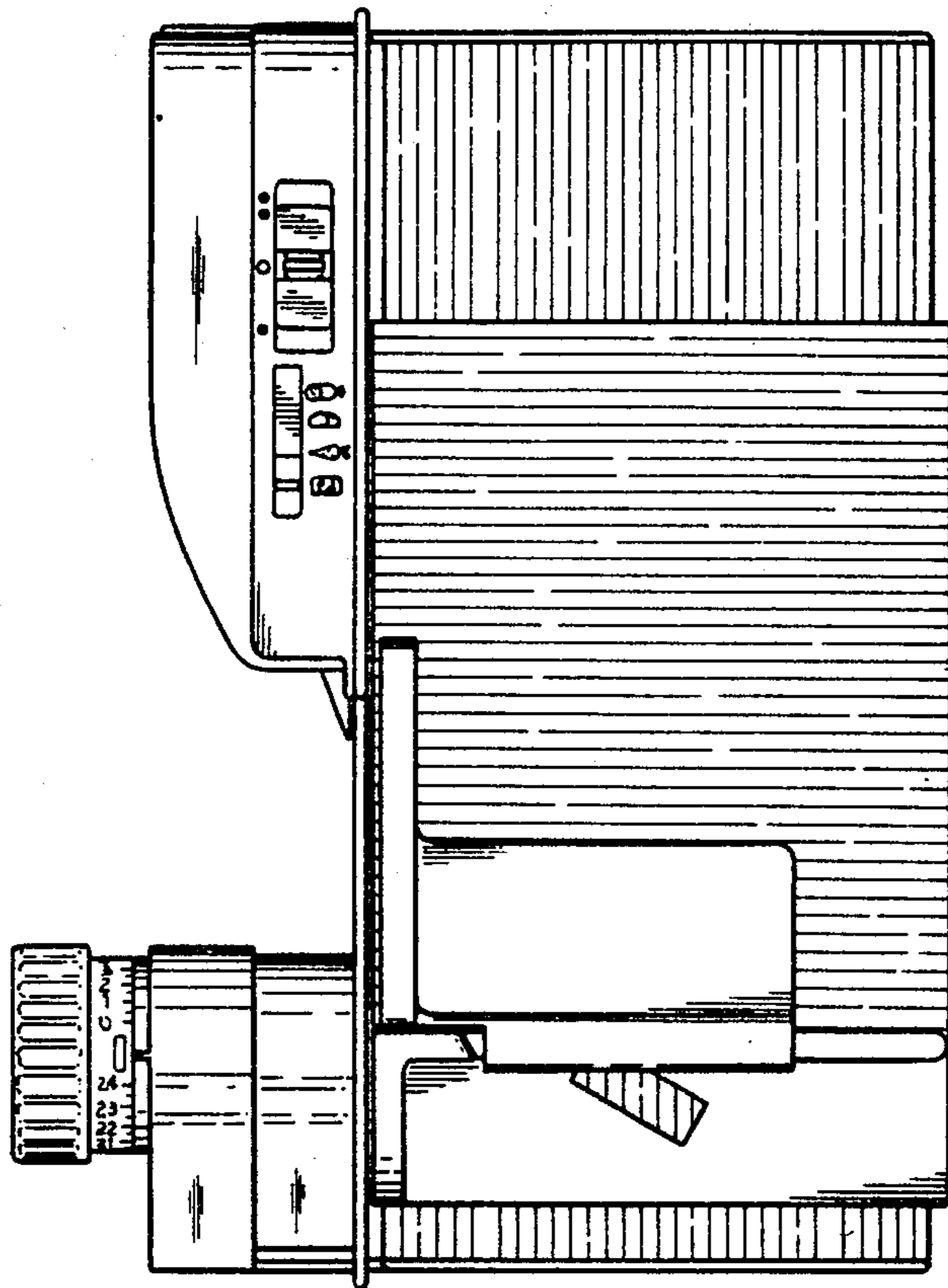


FIG. 1

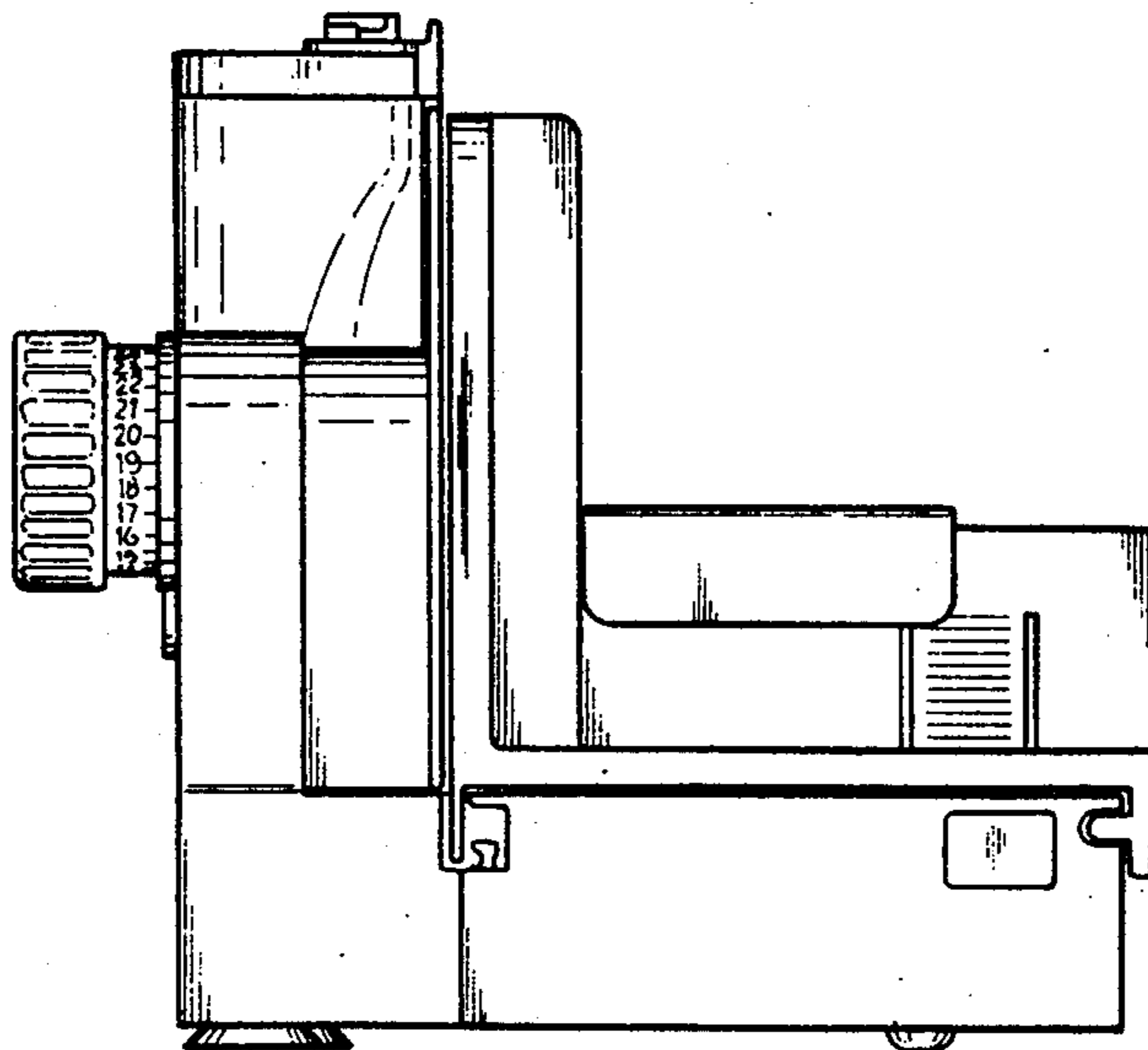


FIG. 2

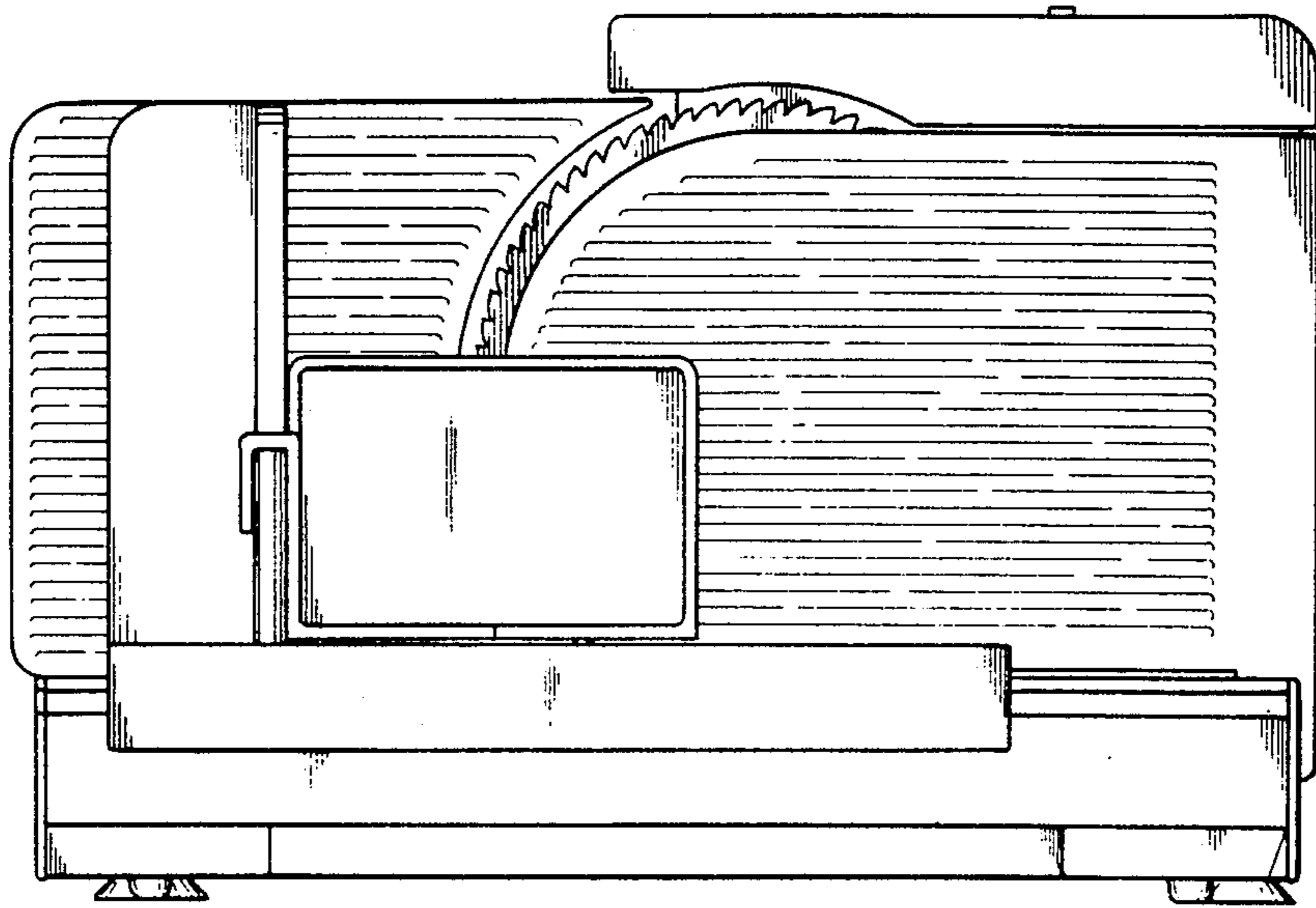


FIG. 3

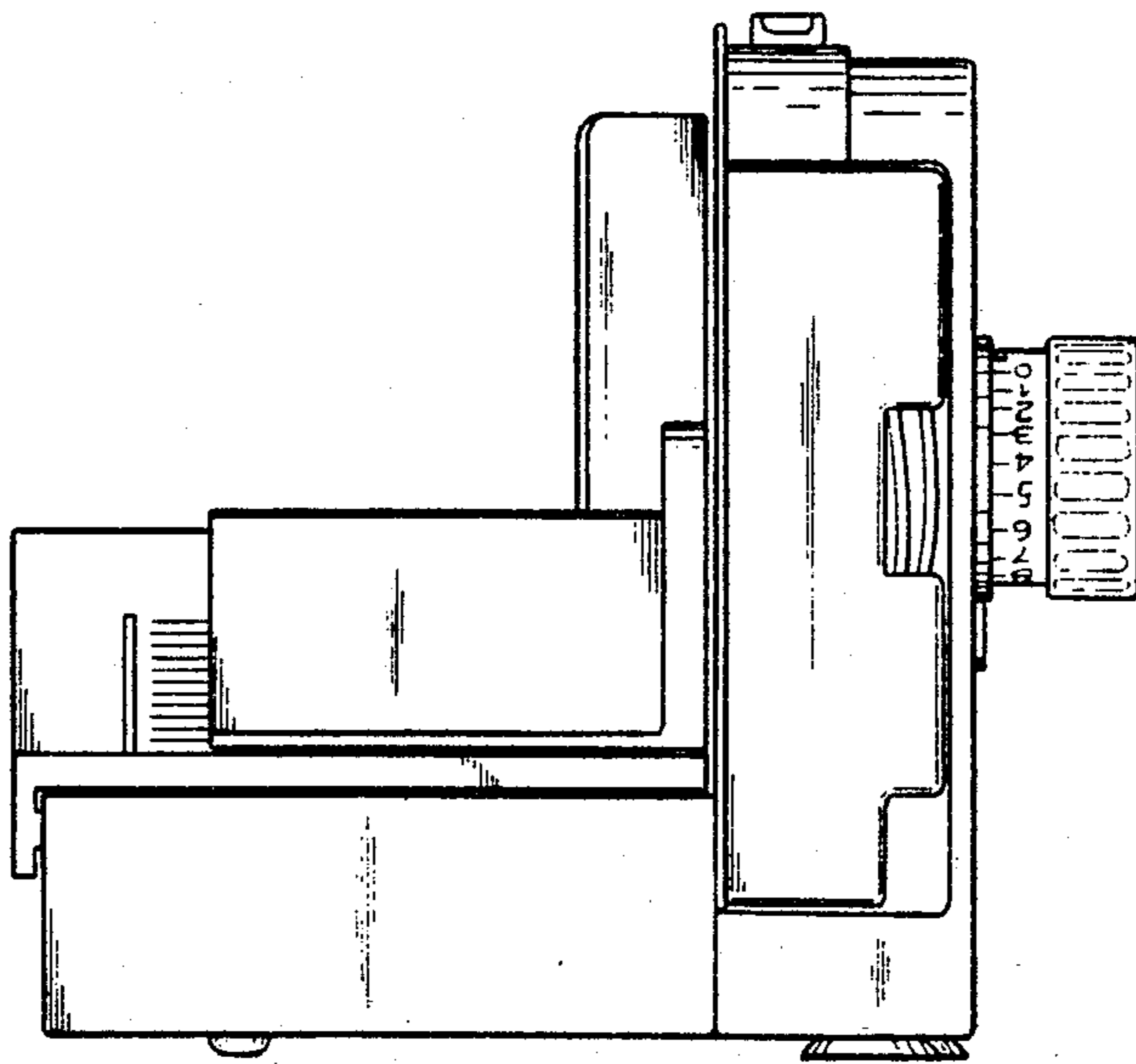


FIG. 6

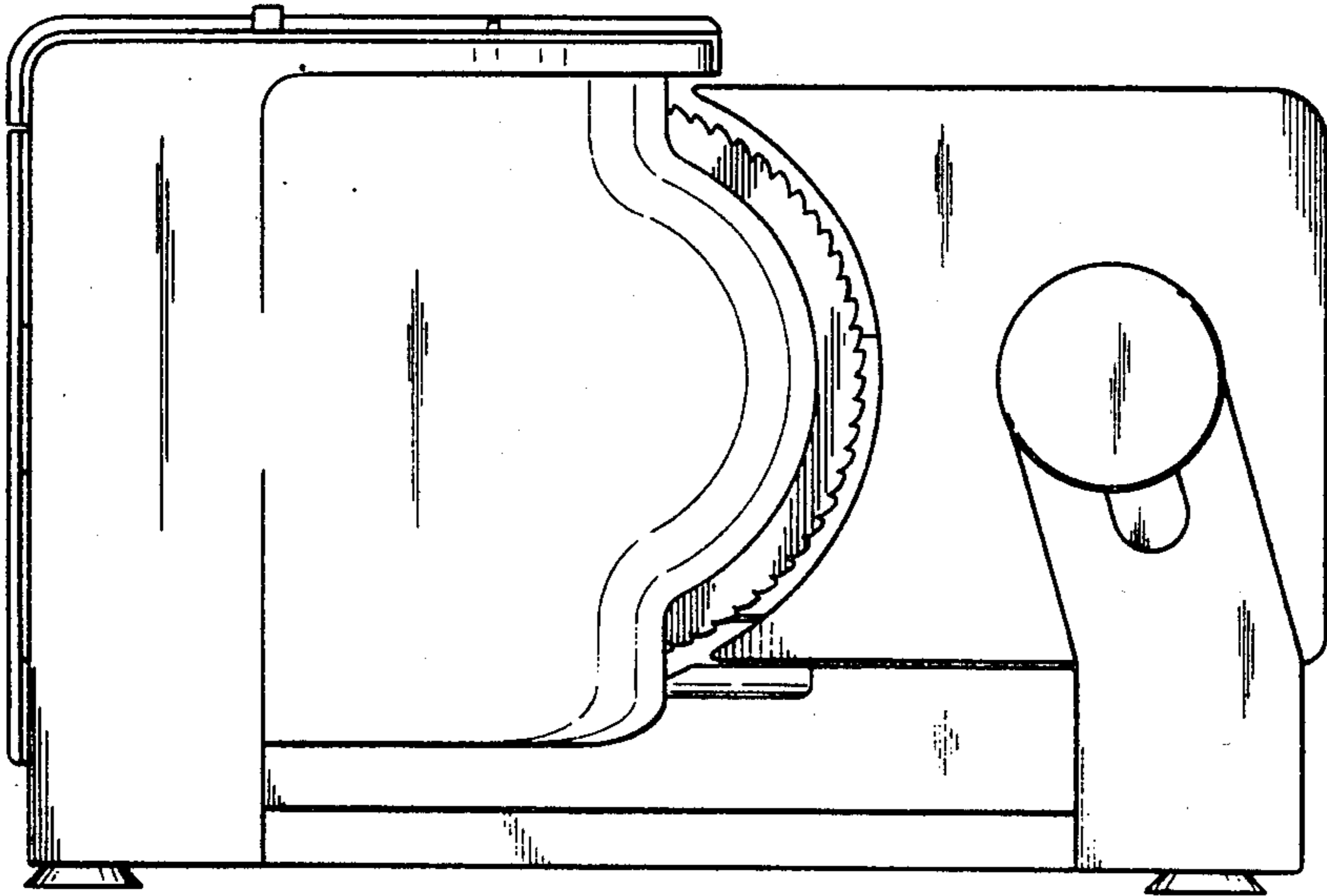


FIG. 4

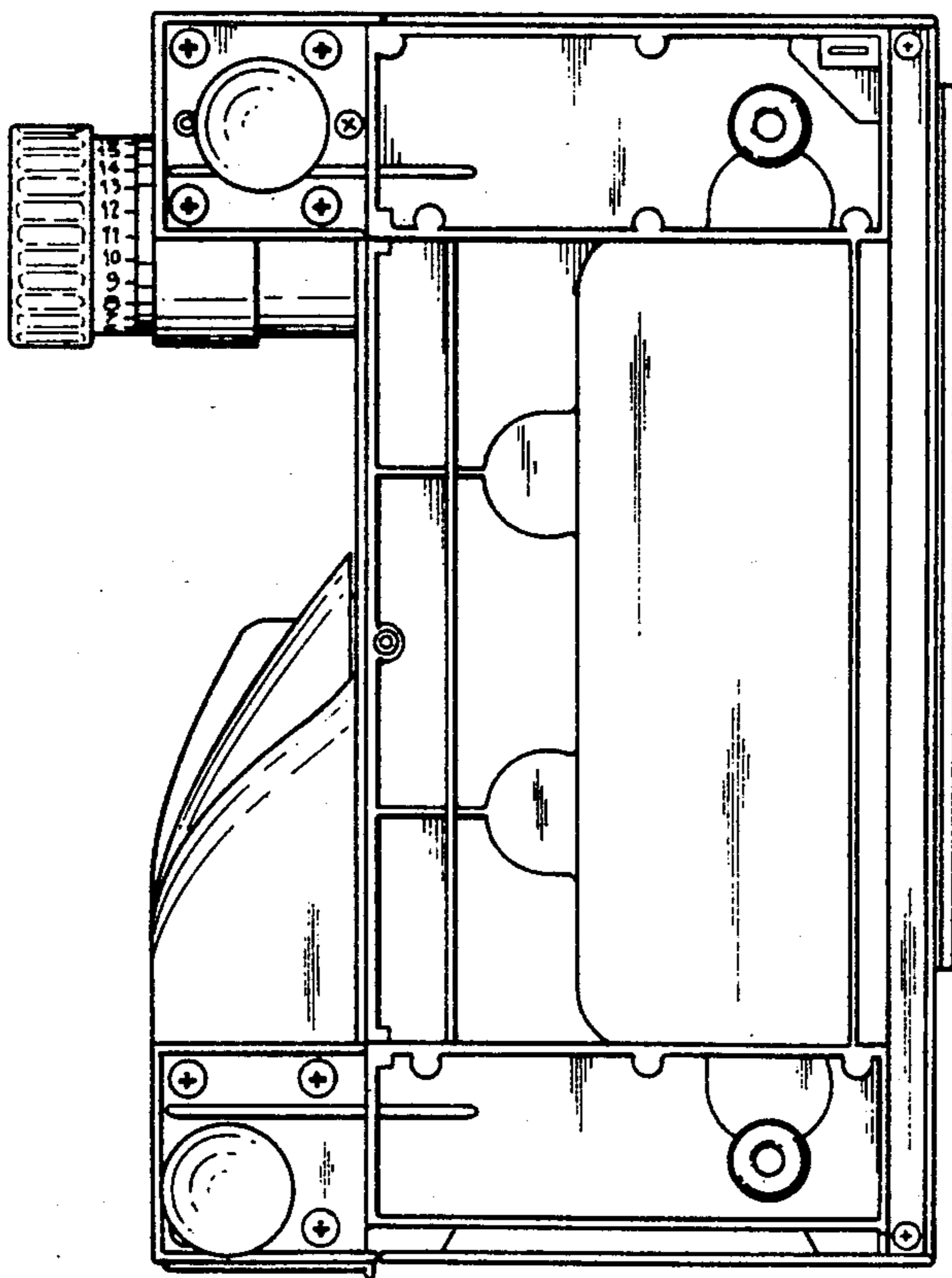


FIG. 5



FIG. 7

