

[54] ELECTRIC COFFEEMAKER

[75] Inventor: Roger Sastre, Dijon, France

[73] Assignee: SEB, Selongey, France

[**] Term: 14 Years

[21] Appl. No.: 580,550

[22] Filed: Feb. 14, 1984

[30] Foreign Application Priority Data

Aug. 18, 1983 [FR] France 83 3067

[52] U.S. Cl. D7/309; D7/310

[58] Field of Search D7/309, 310, 312, 316-322

[56] References Cited

U.S. PATENT DOCUMENTS

D. 234,901	4/1975	Mantelet	D7/309
D. 240,386	7/1976	Stuetzer	D7/309
D. 248,721	8/1978	Sato et al.	D7/309
D. 253,866	1/1980	Bois	D7/309
3,869,968	3/1975	Ihlenfeld	D7/309 X

OTHER PUBLICATIONS

Hamilton Beach HFD Supplement, Jul. 9, 1979, Sec. Two, p. 1, top right and lower left panel, 10 Cup Coffee Maker.

Form 96, IV 1981/82, p. 80, "Rowenta Filtermatic", Coffee Maker shown.

Primary Examiner—Winifred E. Herrmann
Attorney, Agent, or Firm—Young & Thompson

[57] CLAIM

The ornamental design for an electric coffeemaker, as shown and described.

DESCRIPTION

FIG. 1 is a front elevational view of an electric coffee-maker showing my new design;
FIG. 2 is a rear elevational view thereof.
FIG. 3 is a right side elevational view thereof.
FIG. 4 is a left side elevational view thereof.
FIG. 5 is a top plan view thereof.
FIG. 6 is a bottom plan view thereof.
FIG. 7 is a top, front, and right side perspective view thereof.

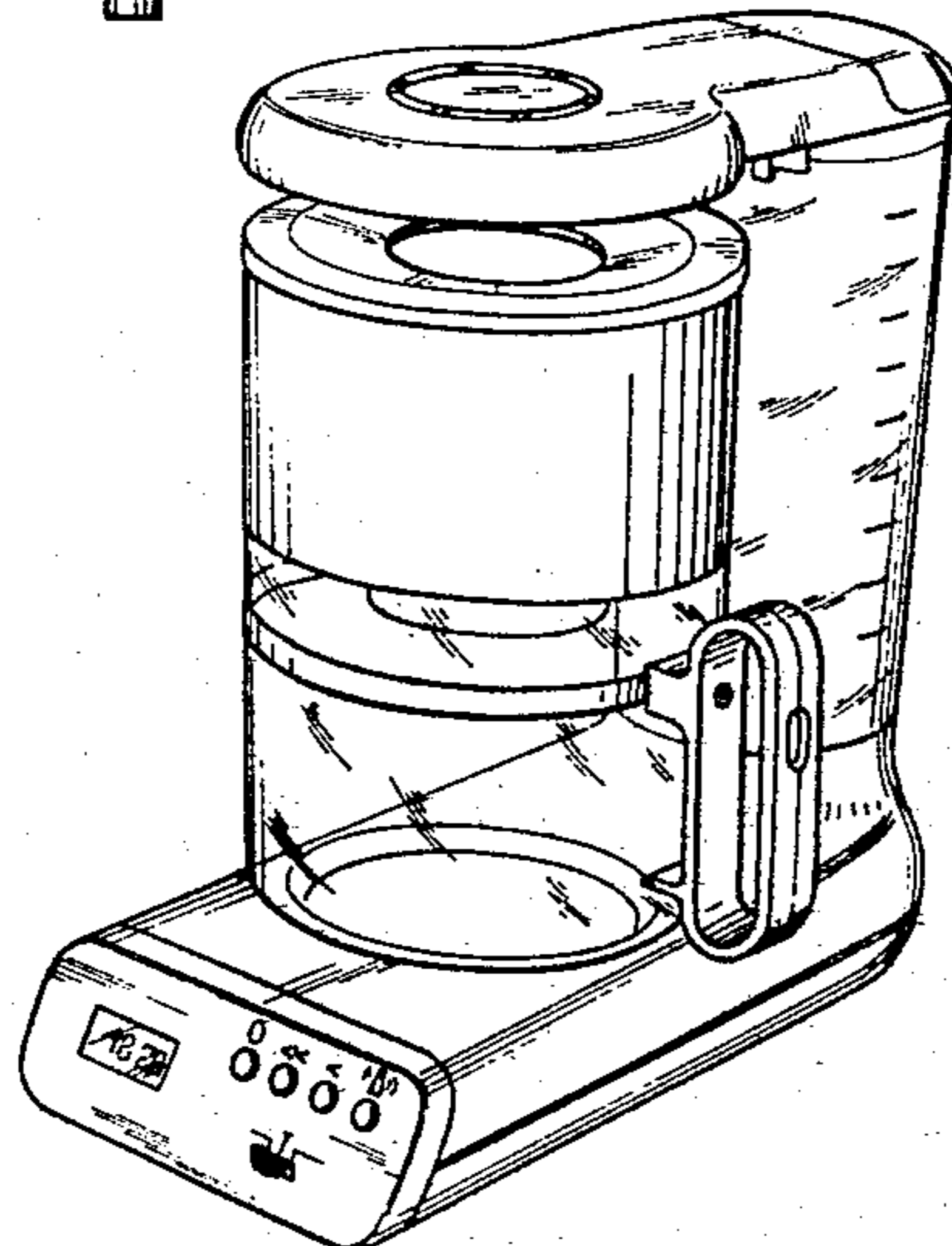
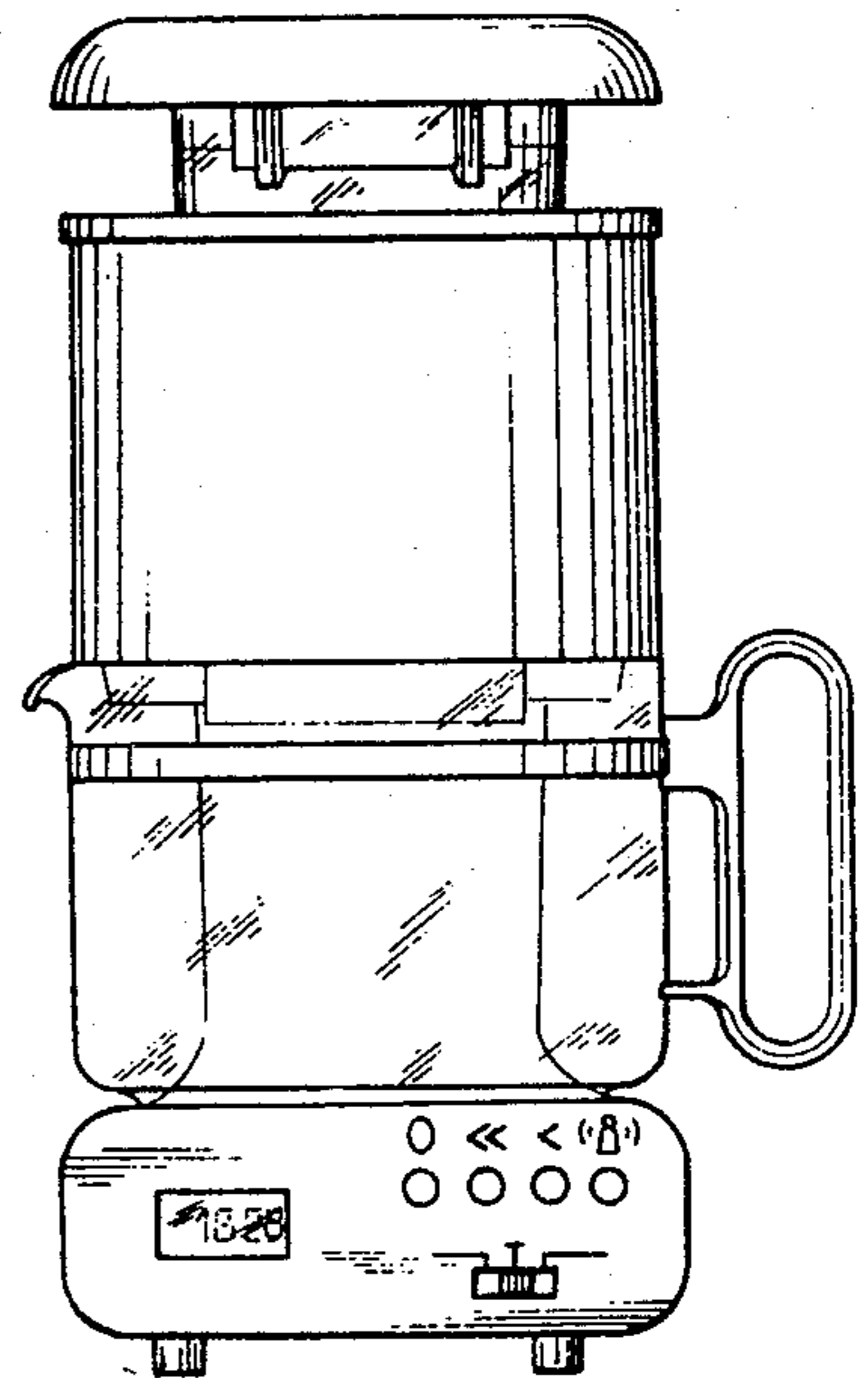
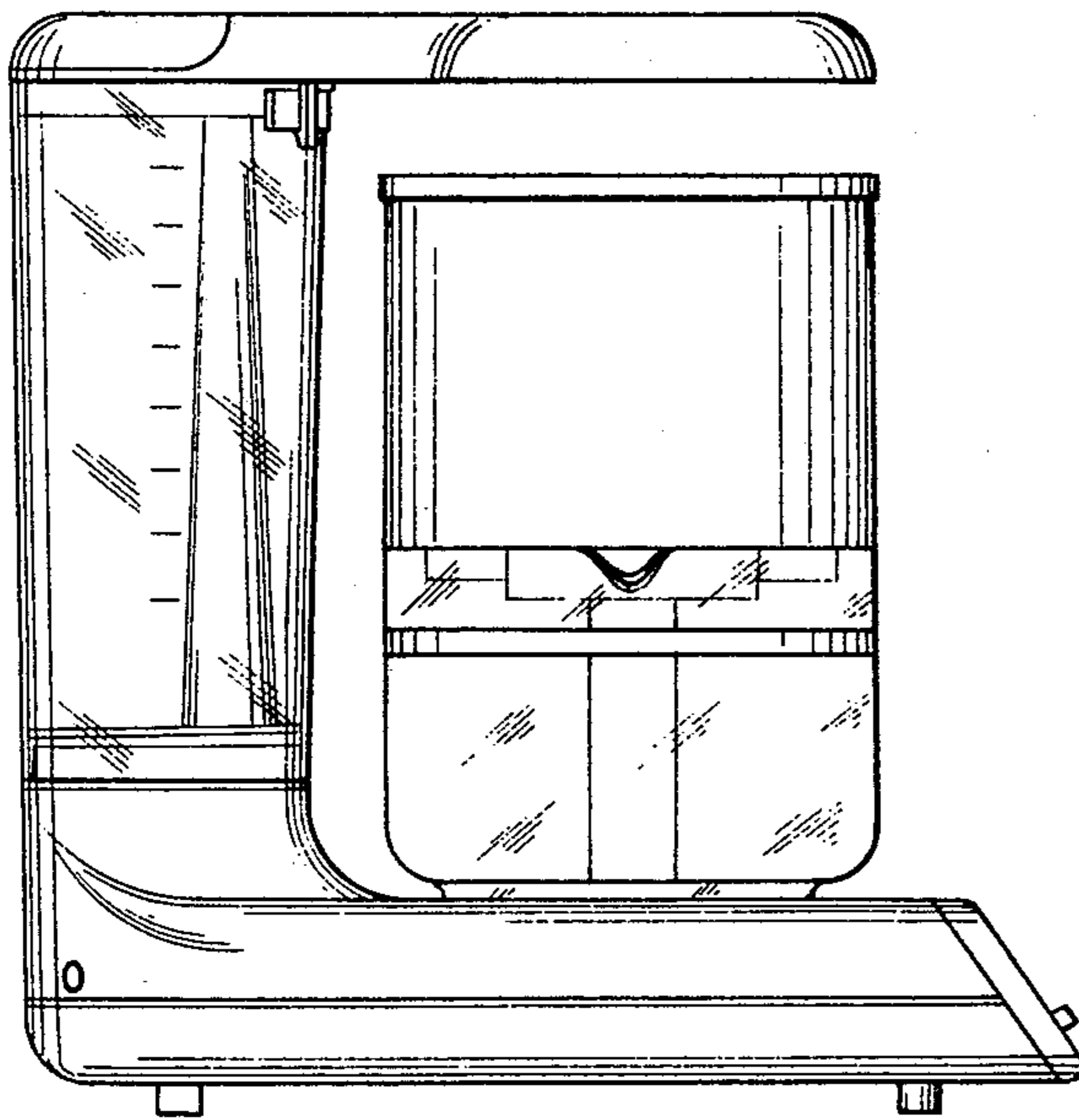


FIG.1

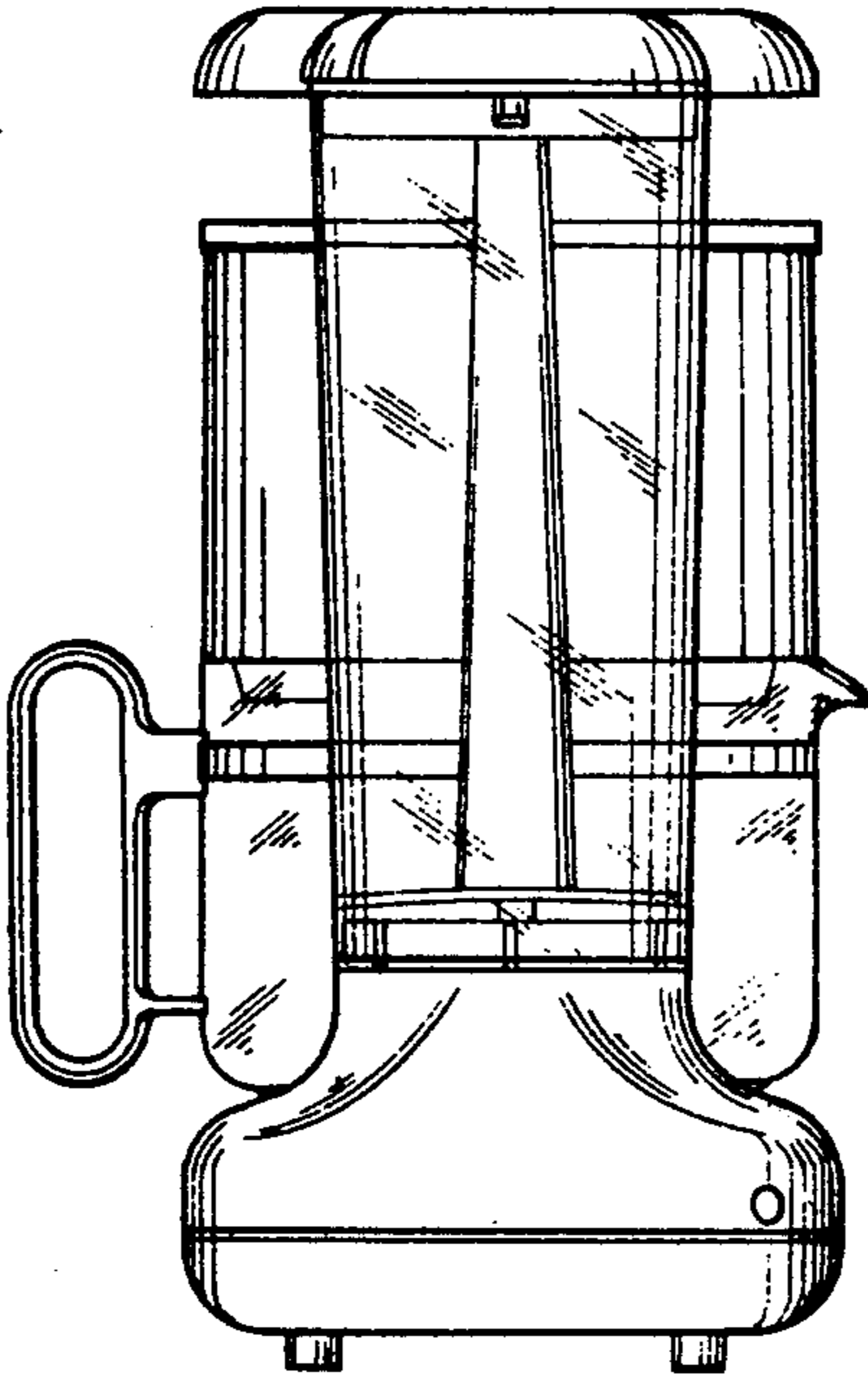
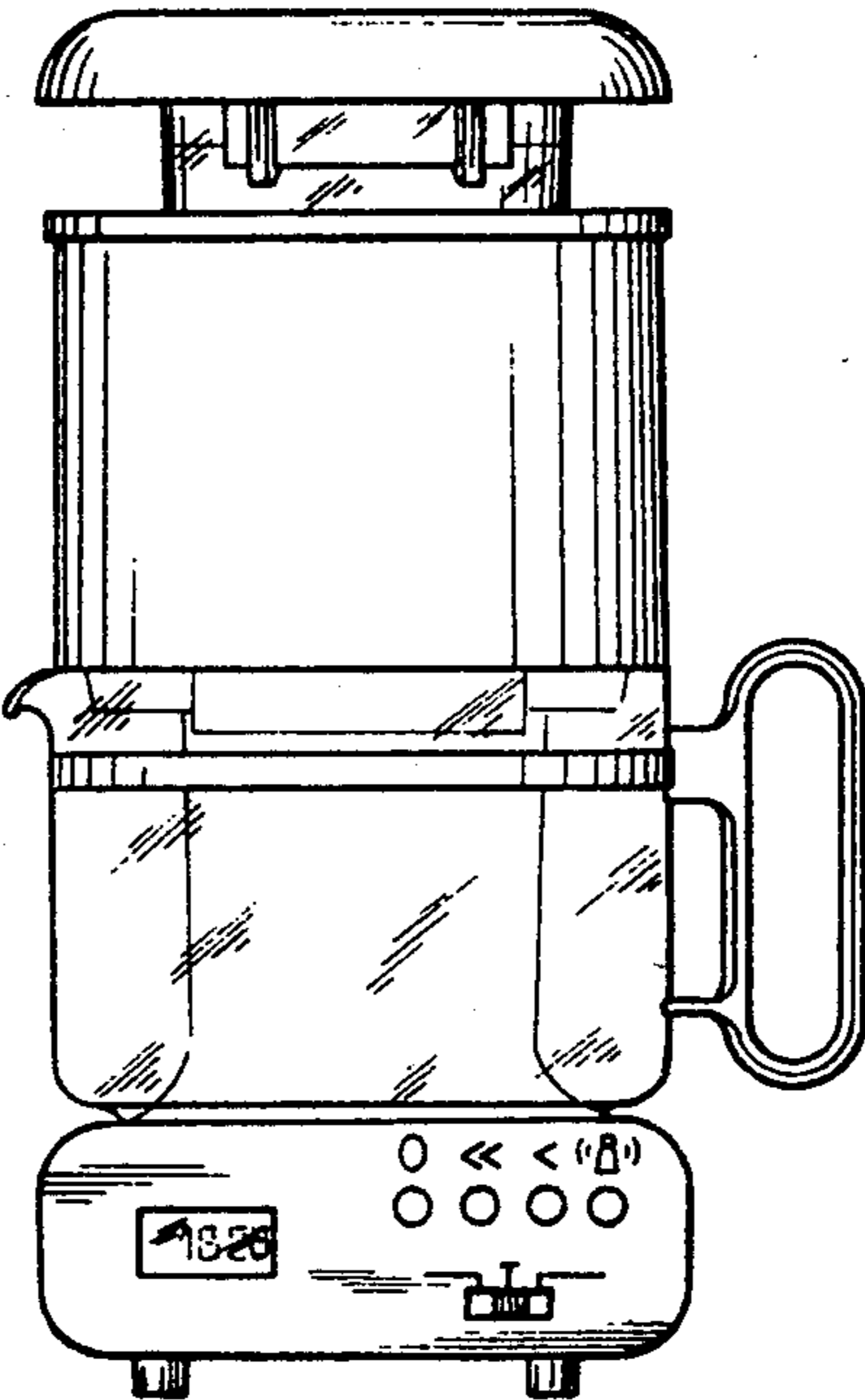


FIG.2

FIG. 3

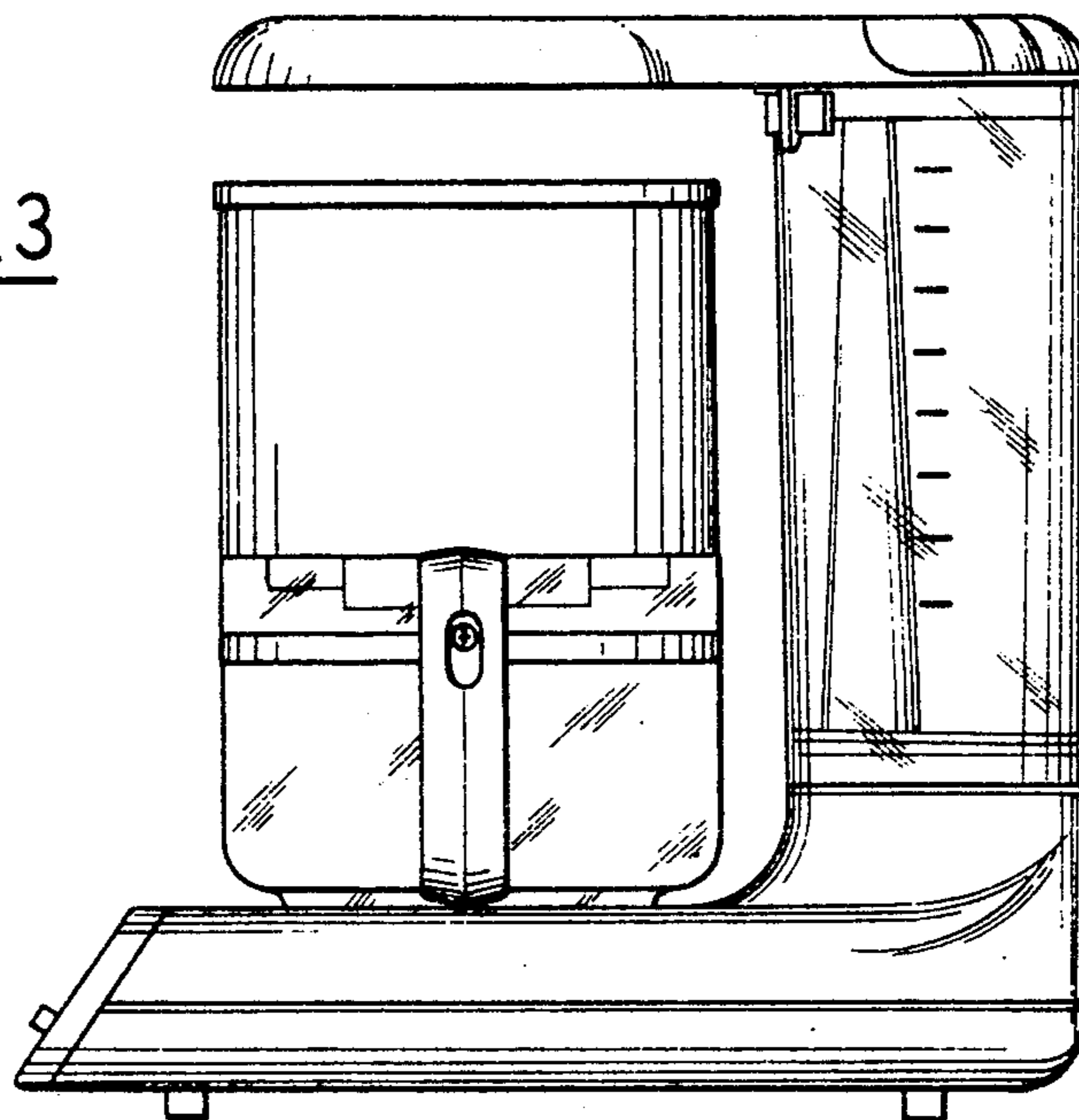
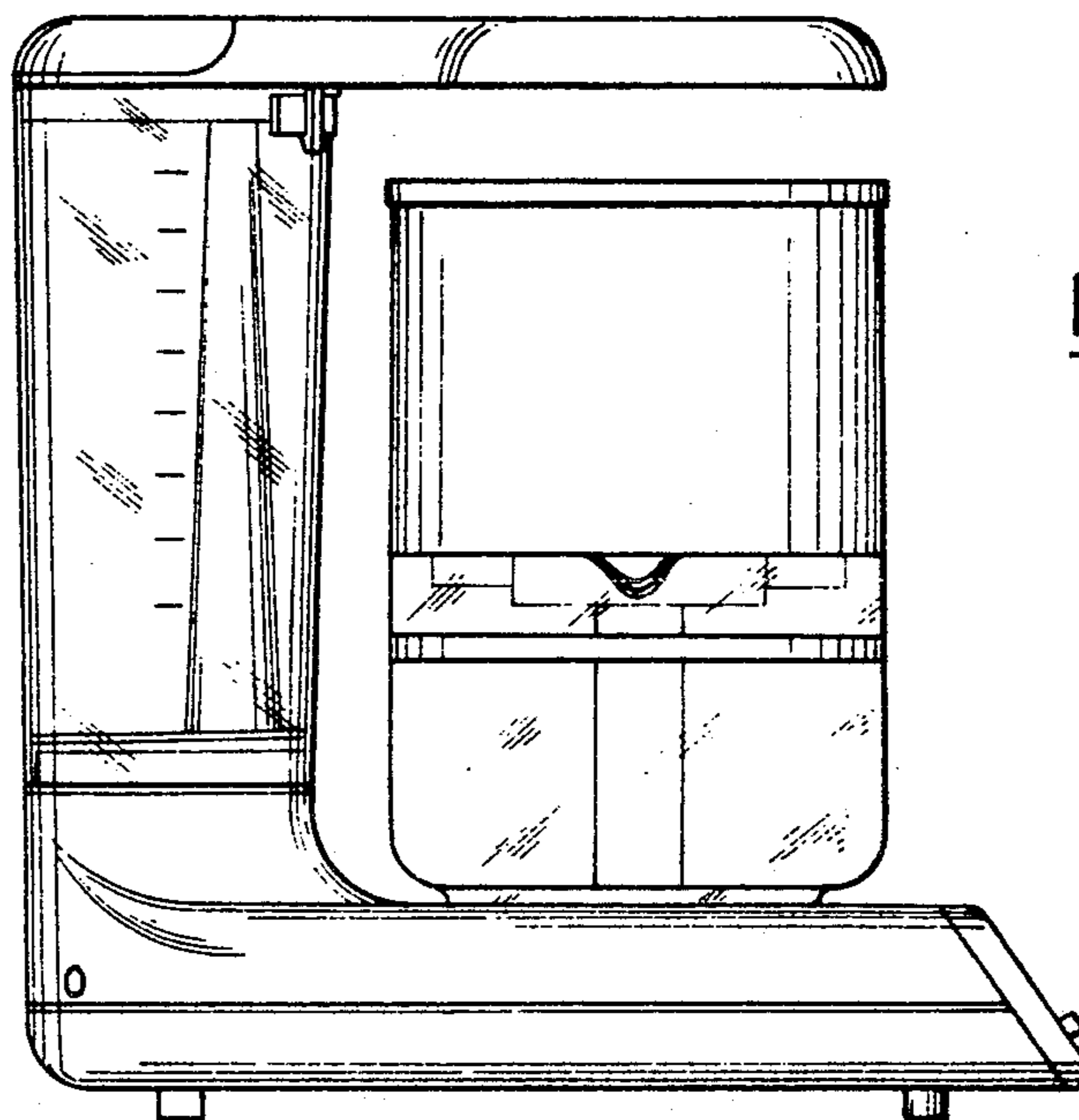


FIG. 4



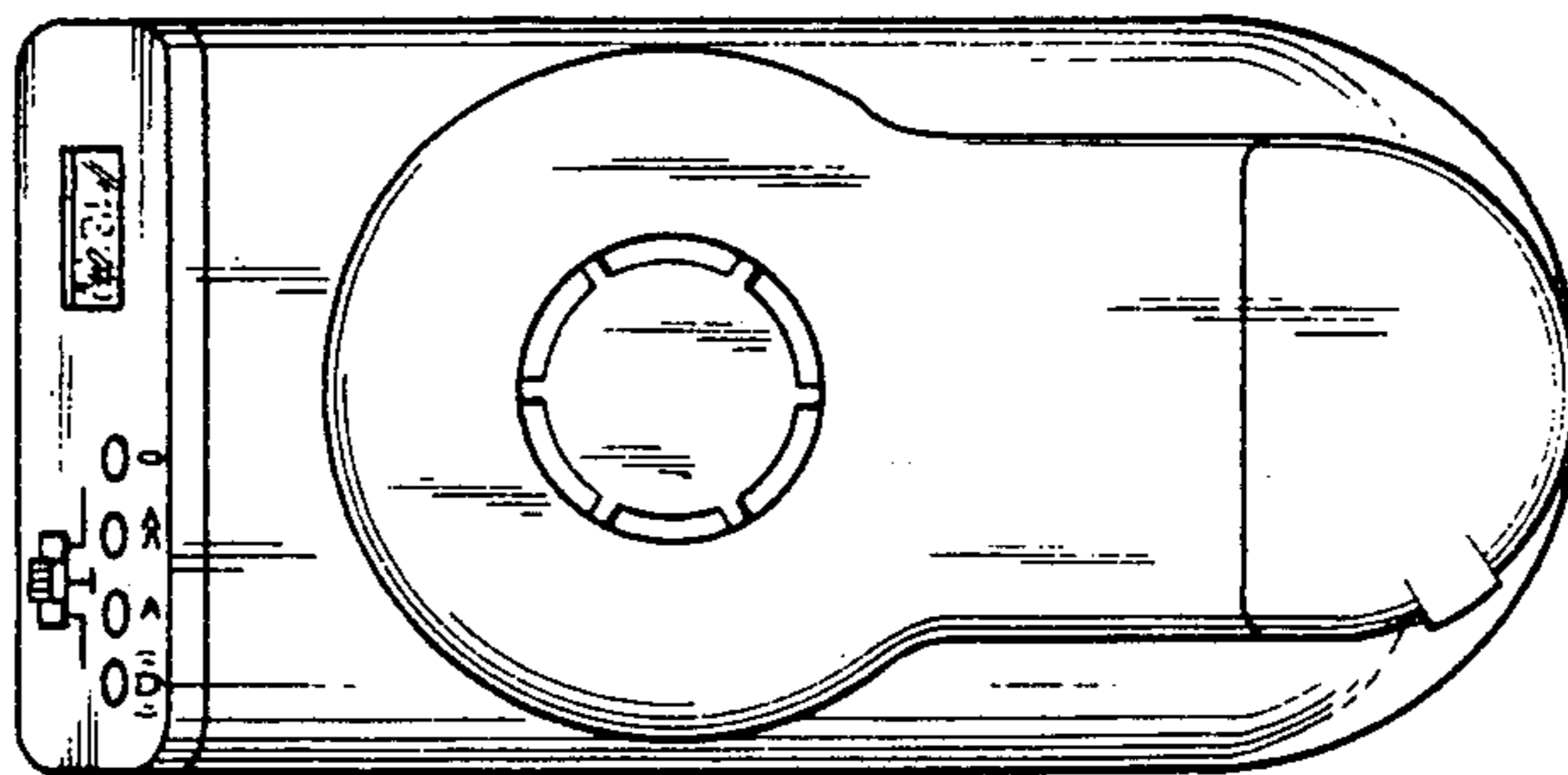


FIG. 5

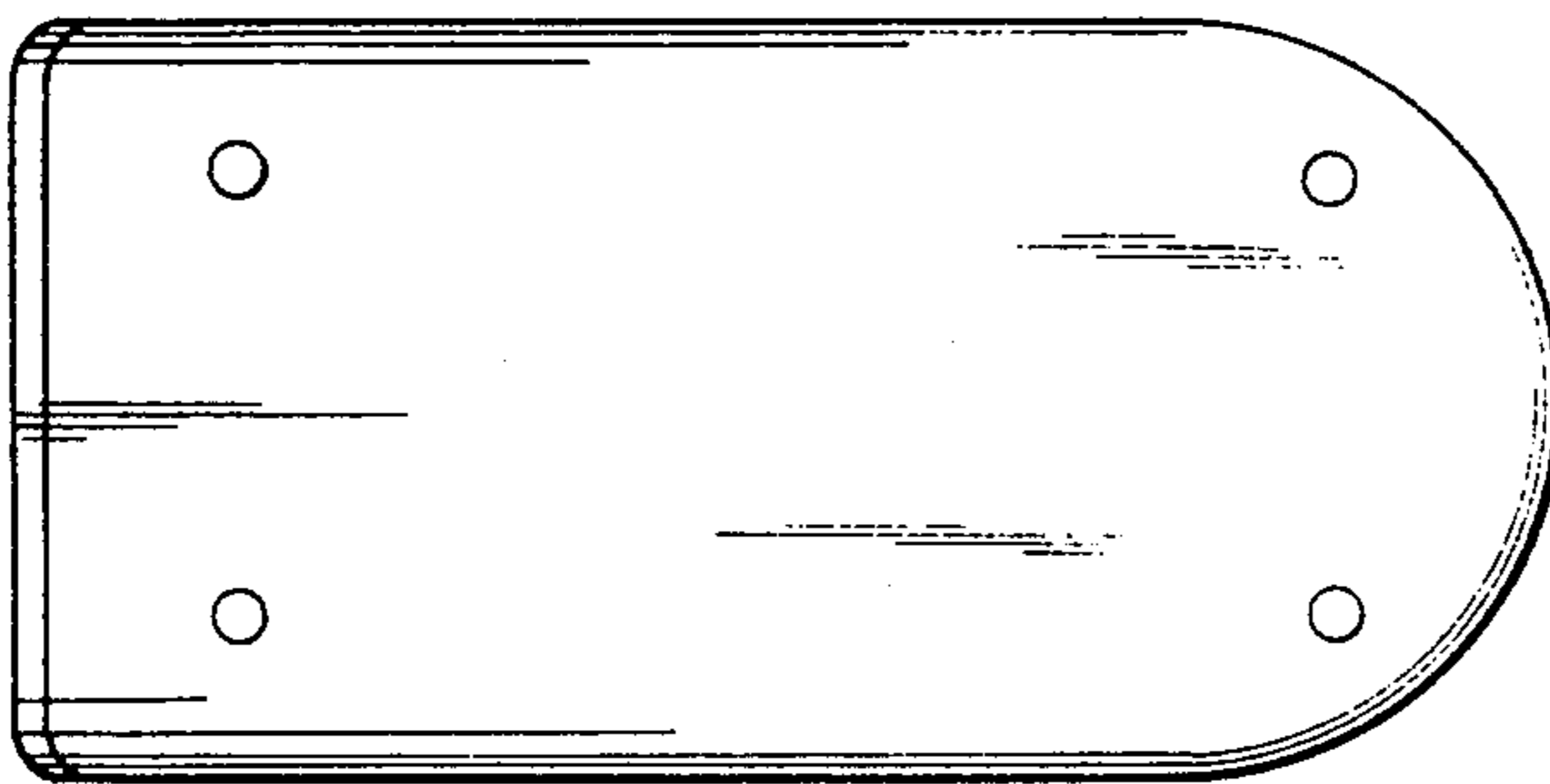


FIG. 6

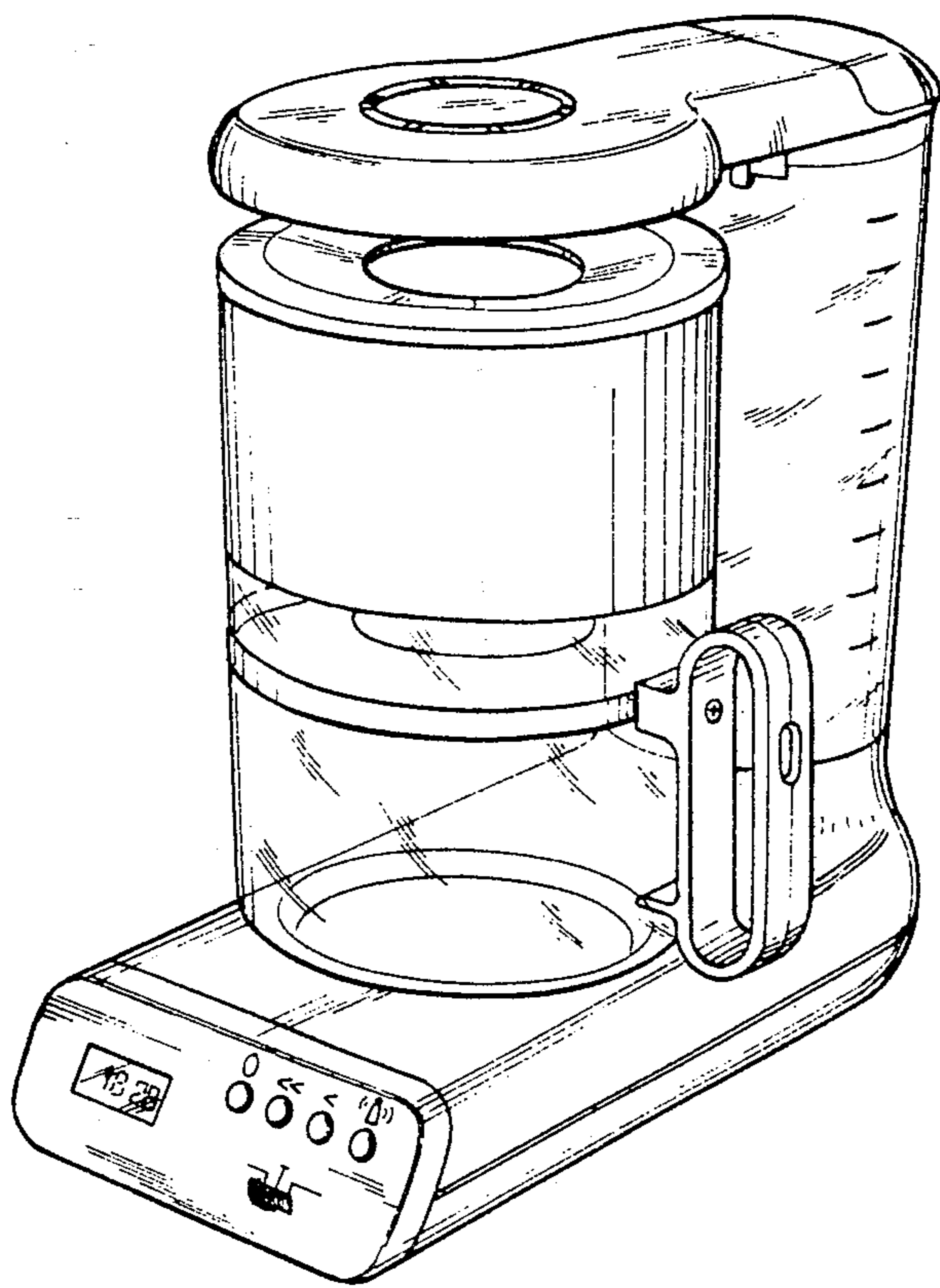


FIG. 7