

[54] CONTAINER

[75] Inventor: Arthur R. Carlson, East Malvern, Australia

[73] Assignee: The Decor Corporation Proprietary Limited, Scoresby, Australia

[\*\*] Term: 14 Years

[21] Appl. No.: 477,674

[22] Filed: Mar. 22, 1983

[30] Foreign Application Priority Data

Sep. 24, 1982 [AU] Australia ..... 1649/82
[52] U.S. Cl. .... D7/76
[58] Field of Search ..... D7/76-79, D7/16; D9/378, 379, 341, 425; 150/55; 206/545, 541, 549; 220/95, 94 R, 318, DIG. 10, 306, 352, 356

[56] References Cited

U.S. PATENT DOCUMENTS

- D. 194,638 2/1963 Szantay ..... D7/77
D. 224,554 8/1972 Swett ..... D9/341 X
D. 266,822 11/1982 Seager ..... D7/77
D. 269,933 8/1983 Daenen et al. .... D7/387 X
2,727,547 12/1955 Moon ..... 150/55
2,984,382 5/1961 Florsheim, Jr. .... 220/306
3,351,227 11/1967 Collie ..... 220/306
3,556,339 1/1971 Lind et al. .... 150/55 X
4,336,883 6/1982 Krug et al. .... D7/77 X

OTHER PUBLICATIONS

Housewares, 7-1980, p. 86, Fiesta Ice Chest.

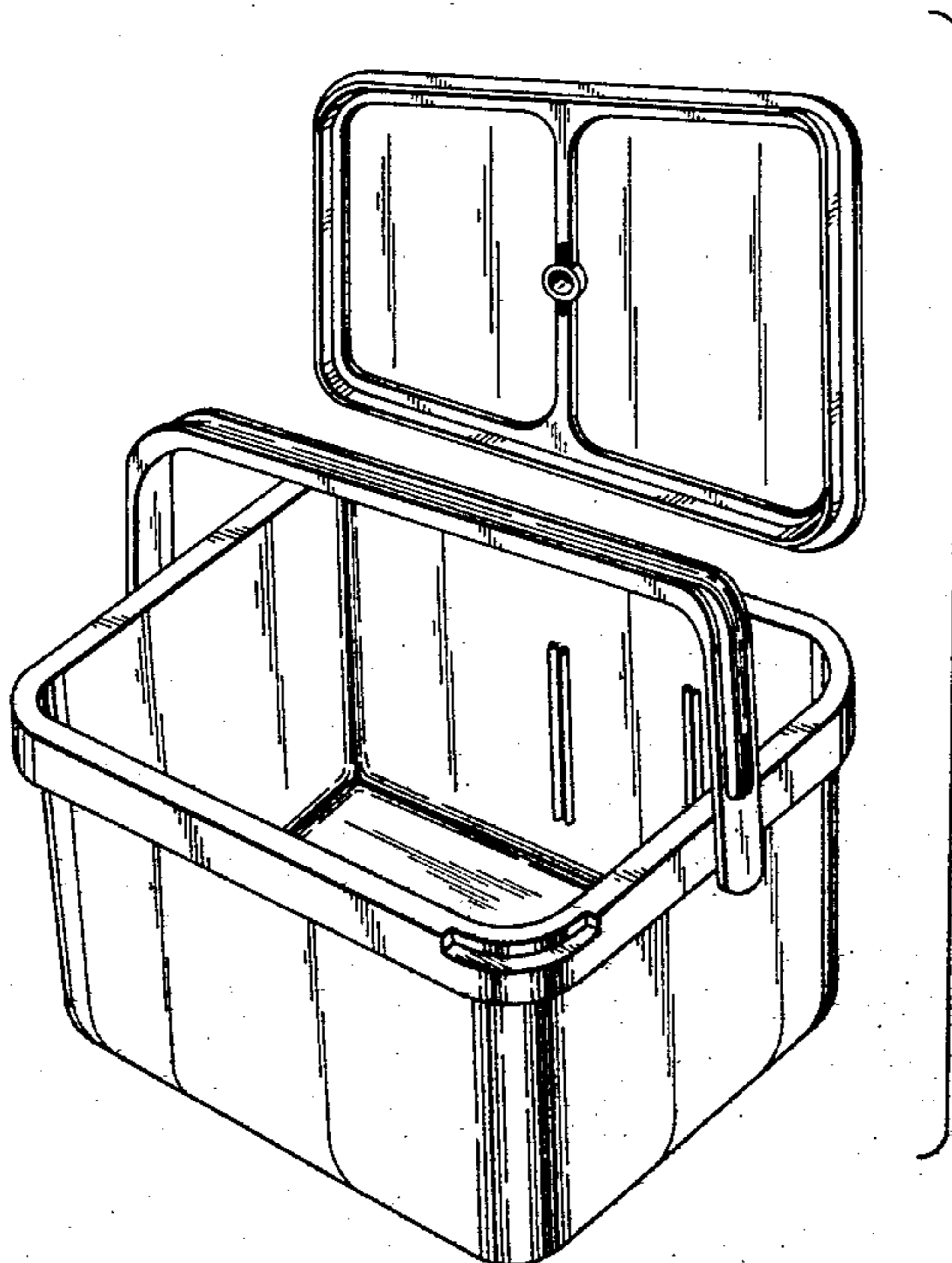
Primary Examiner—Bernard Ansher
Assistant Examiner—Linda Titolo
Attorney, Agent, or Firm—Walter H. Schneider

[57] CLAIM

The ornamental design for a container, as shown.

DESCRIPTION

FIG. 1 is an exploded top perspective view of a container showing my new design;
FIG. 2 is a front elevational view thereof, with the handle member removed for clarity of illustration;
FIG. 3 is a right side elevational view thereof;
FIG. 4 is a rear elevational view thereof;
FIG. 5 is a left side elevational view thereof;
FIG. 6 is a top plan view thereof;
FIG. 7 is a bottom plan view thereof;
FIG. 8 is a front elevational view of the container cover, shown separately for clarity of illustration;
FIG. 9 is a right side elevational view thereof;
FIG. 10 is a top plan view thereof;
FIG. 11 is a rear elevational view thereof;
FIG. 12 is a left side elevational view thereof;
FIG. 13 is a bottom plan view thereof;
FIG. 14 is rear elevational view of the container handle shown separately for clarity of illustration;
FIG. 15 is a left side elevational view thereof;
FIG. 16 is a top plan view thereof; and
FIG. 17 is a top front right side perspective view of the container of FIG. 1 in a closed position.



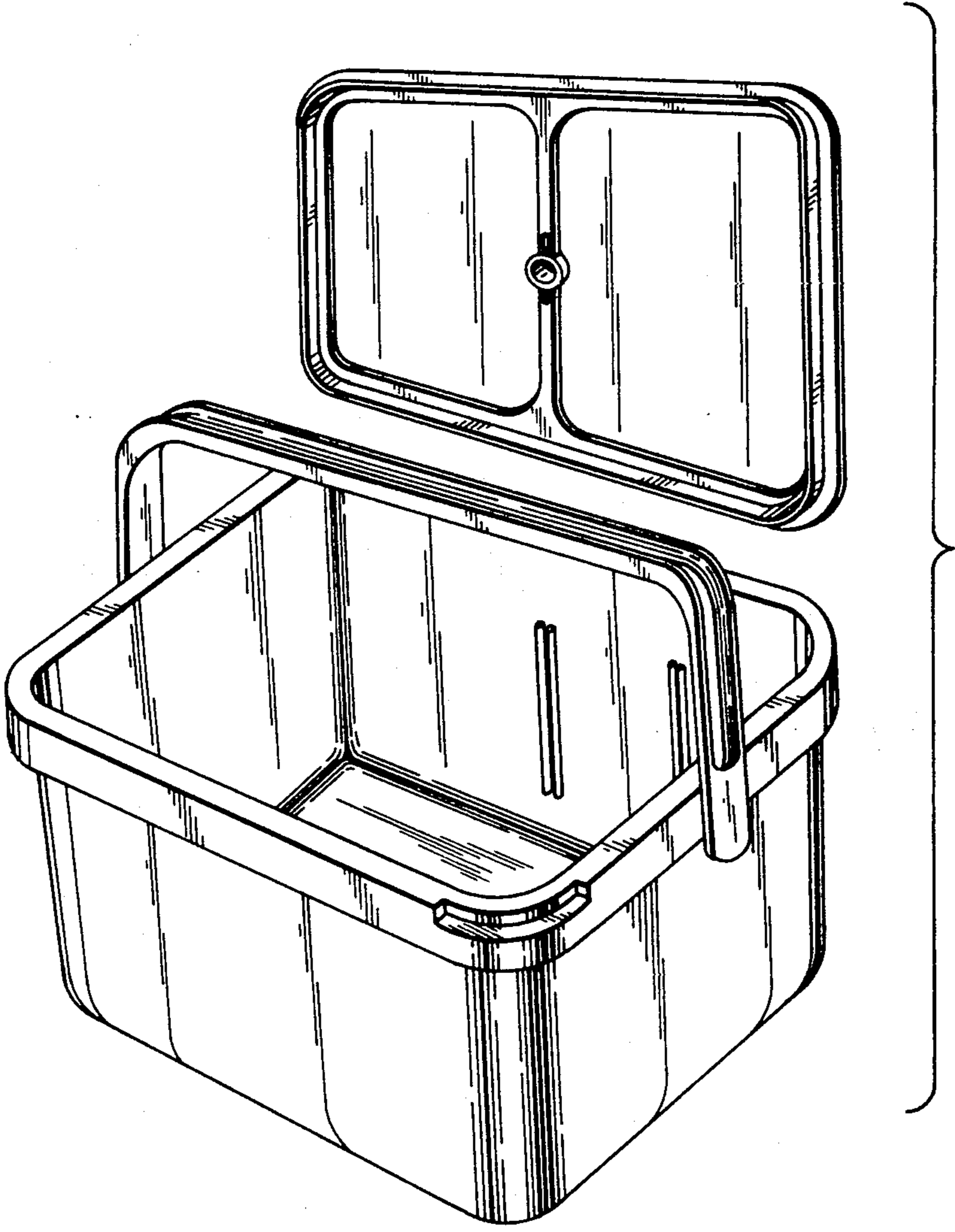


FIG. 1

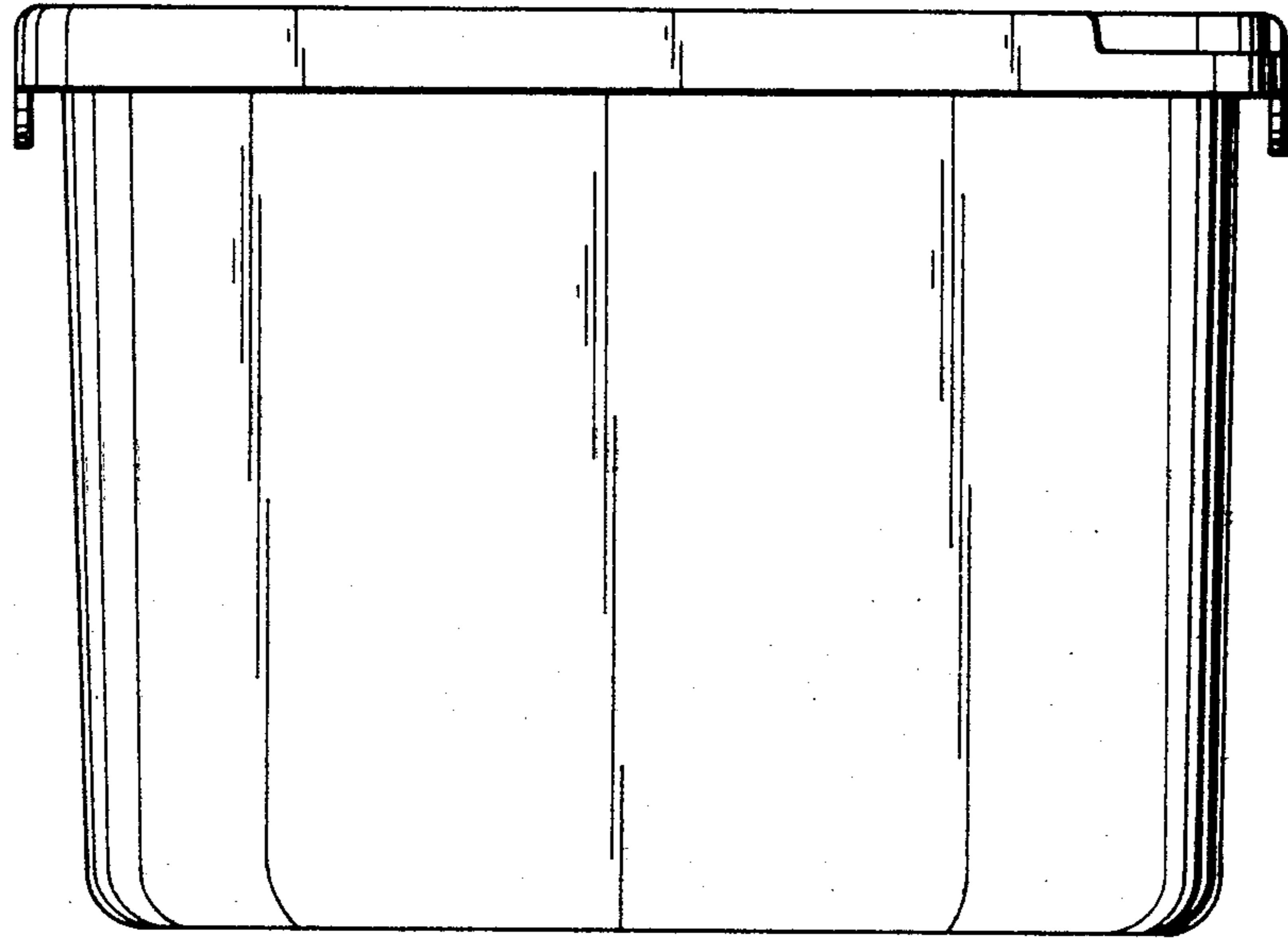


FIG. 2

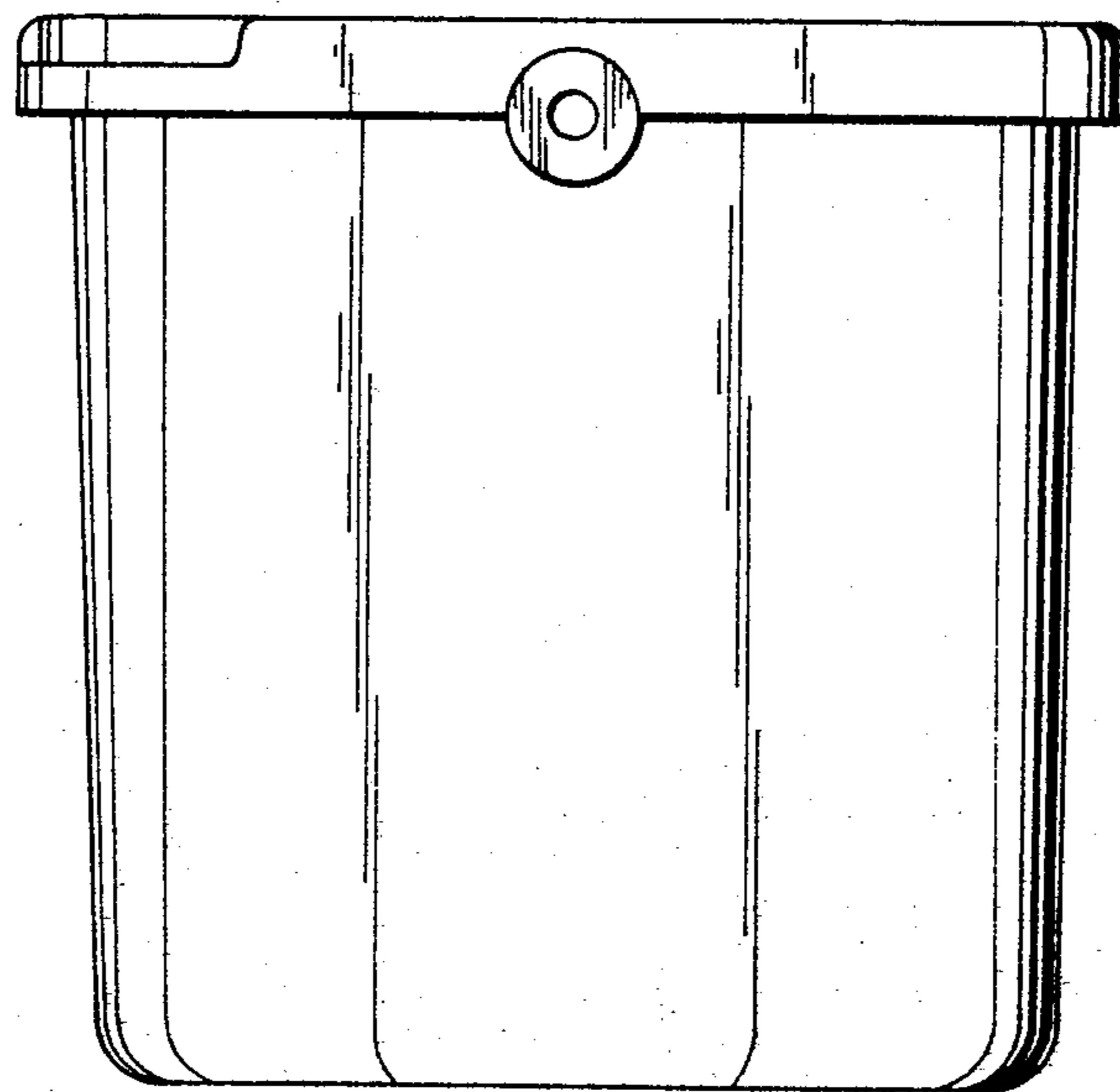


FIG. 3

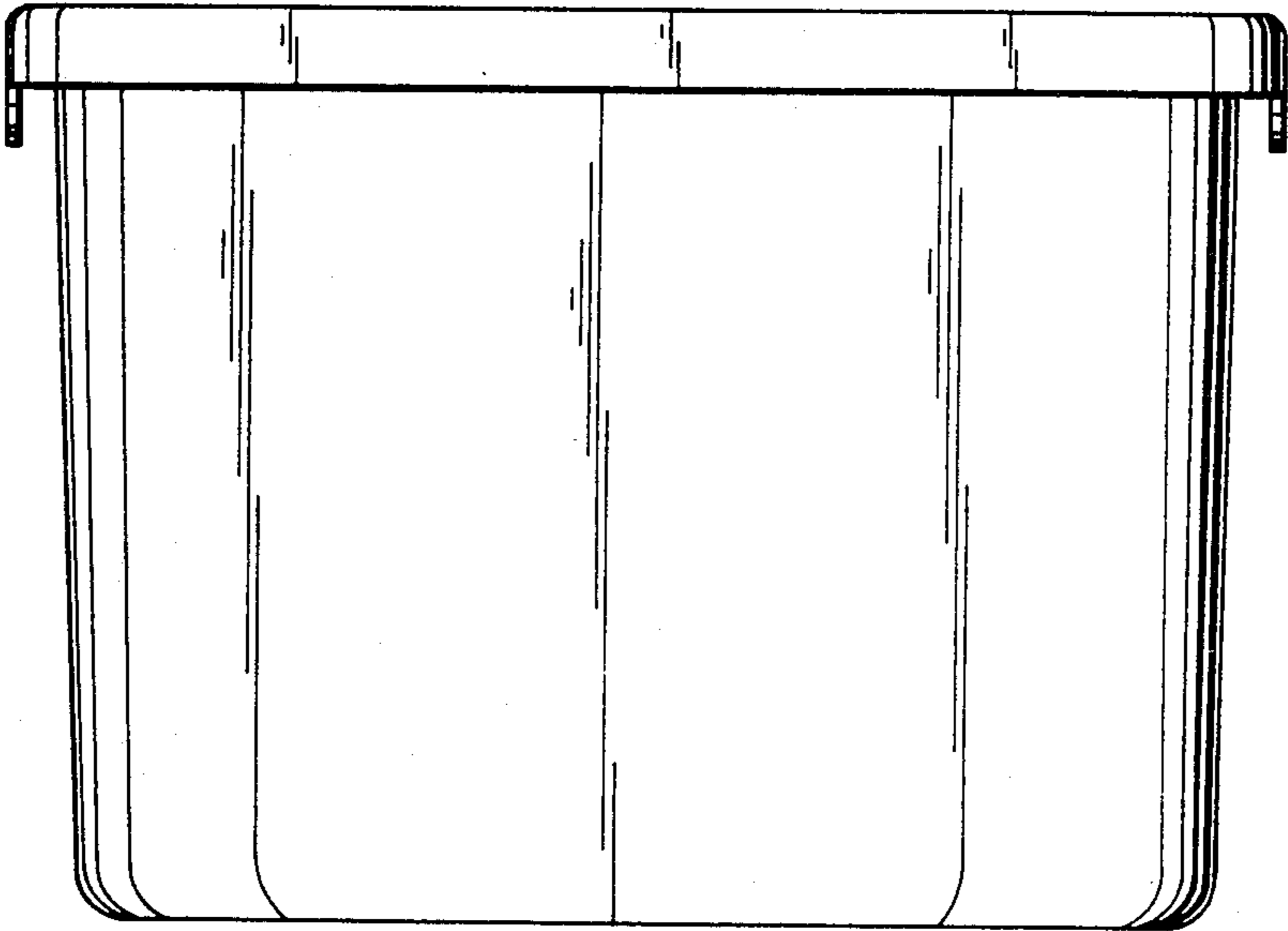


FIG. 4

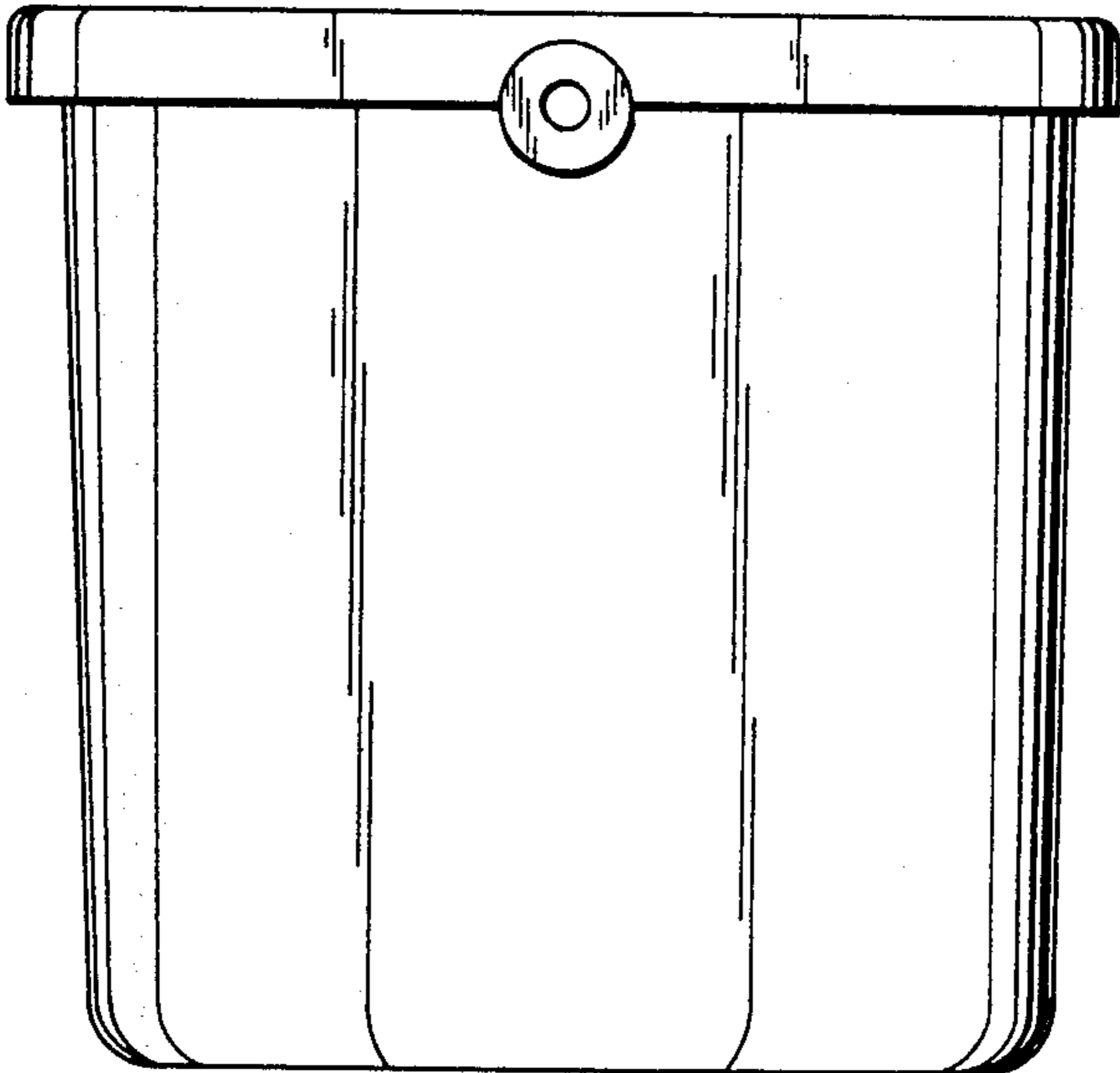


FIG. 5

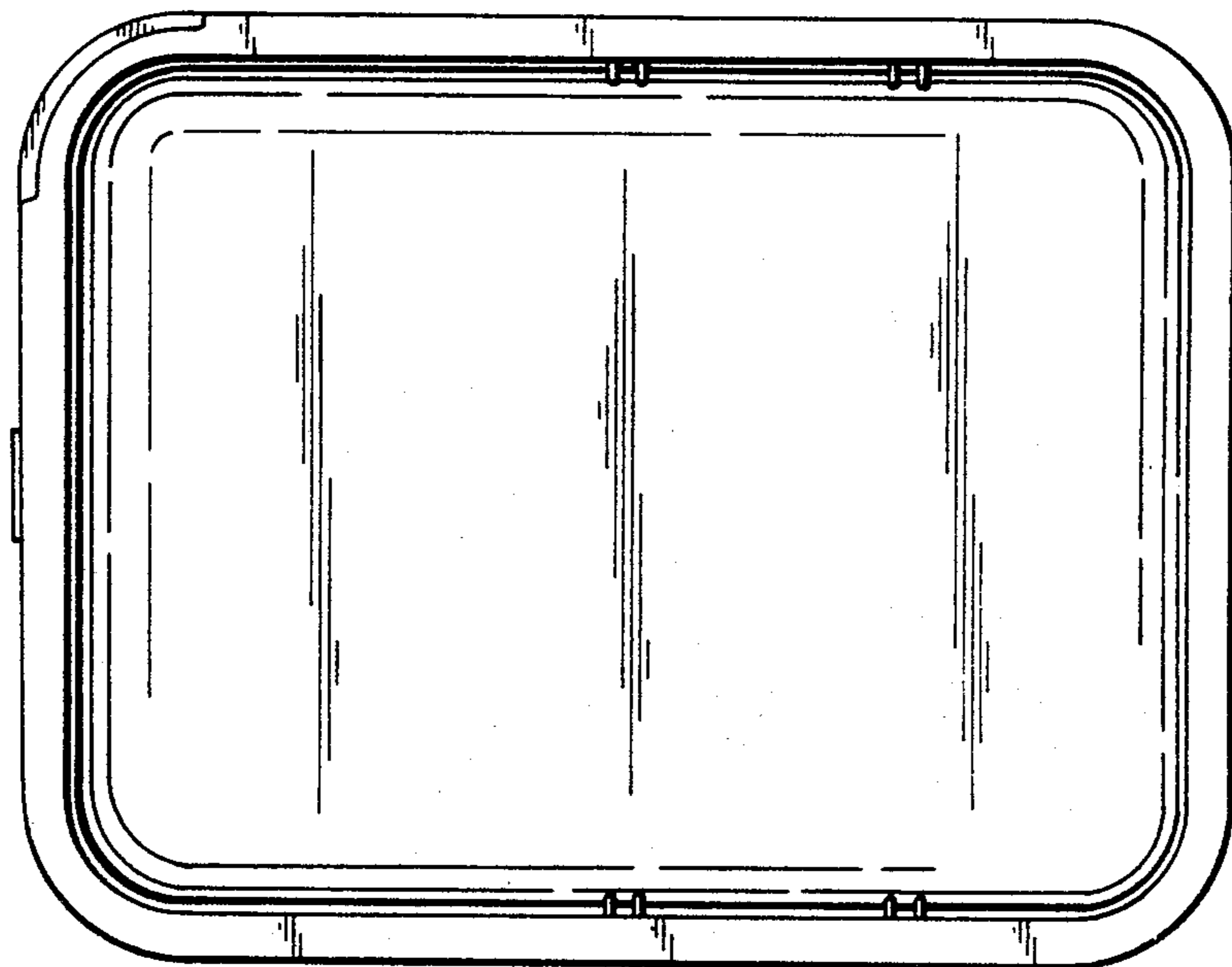


FIG. 6

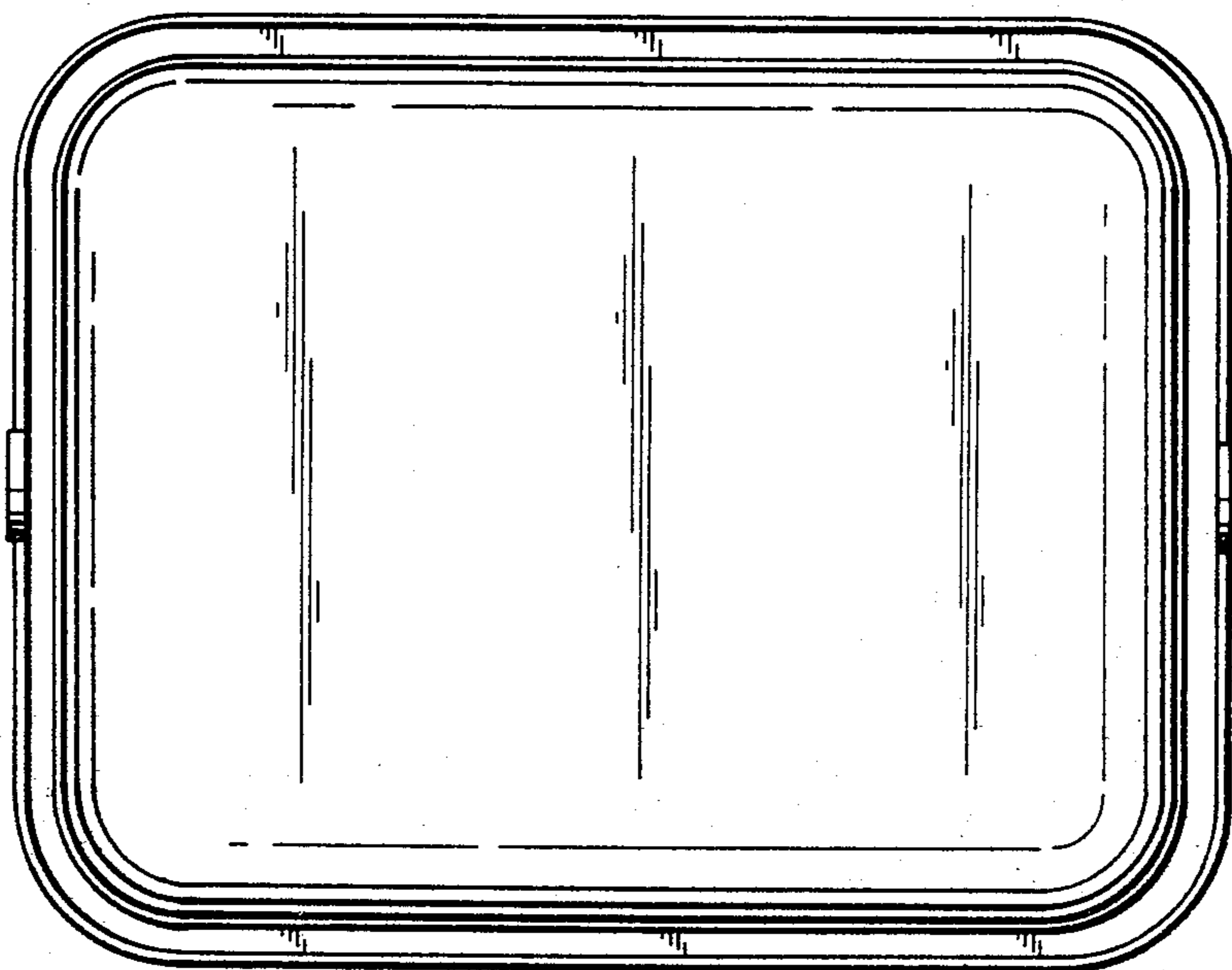


FIG. 7



FIG. 8



FIG. 9

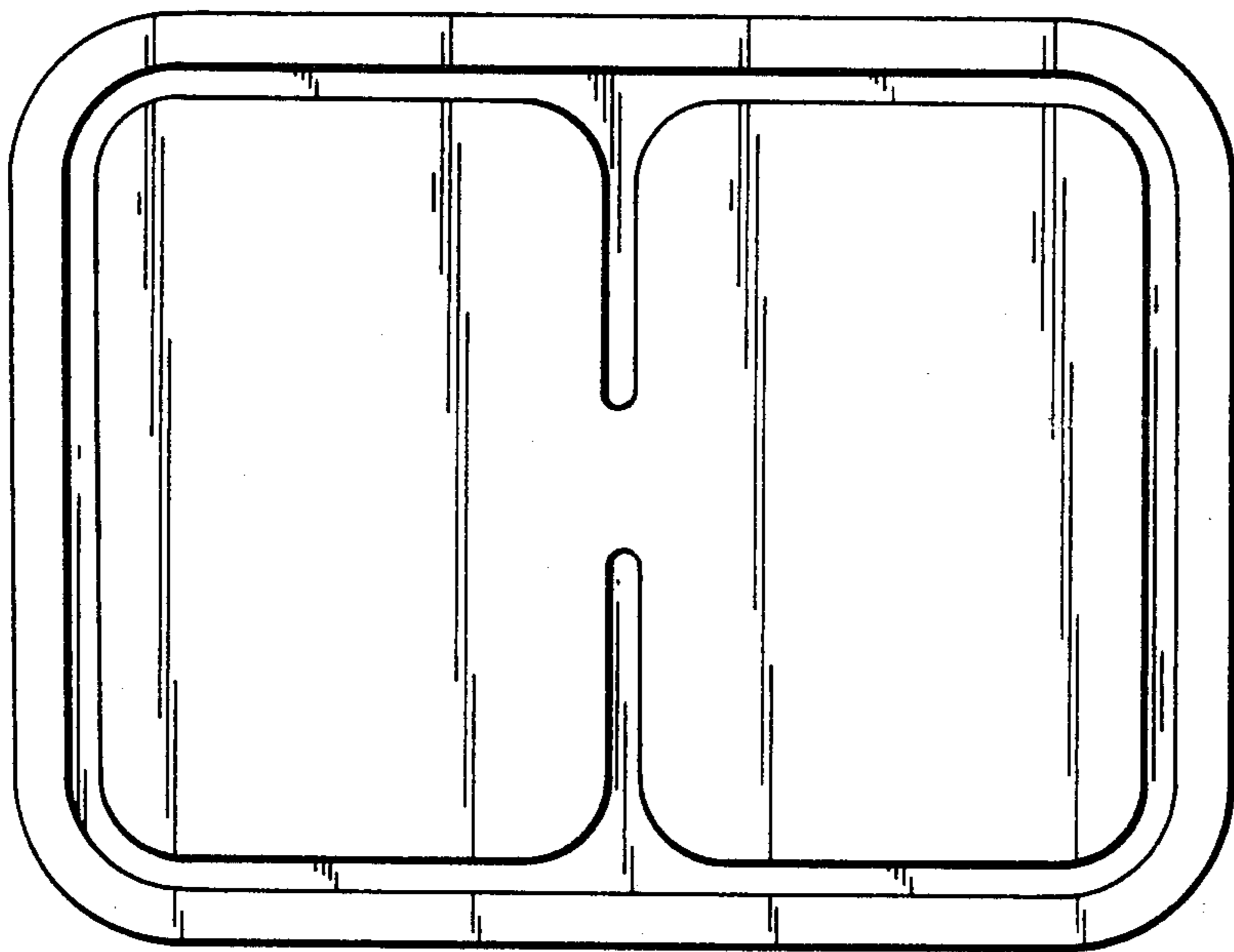


FIG. 10



FIG. 11

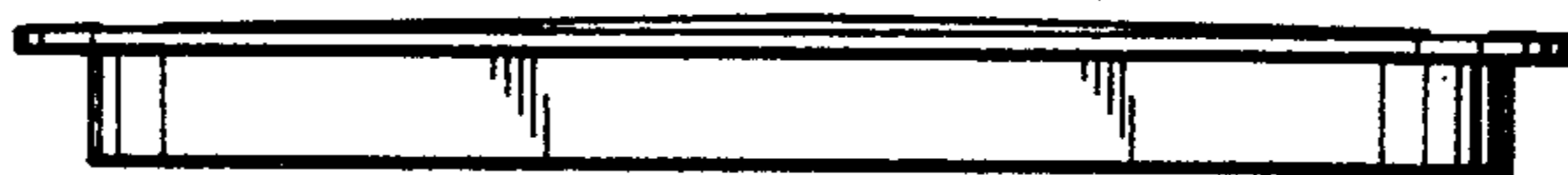


FIG. 12

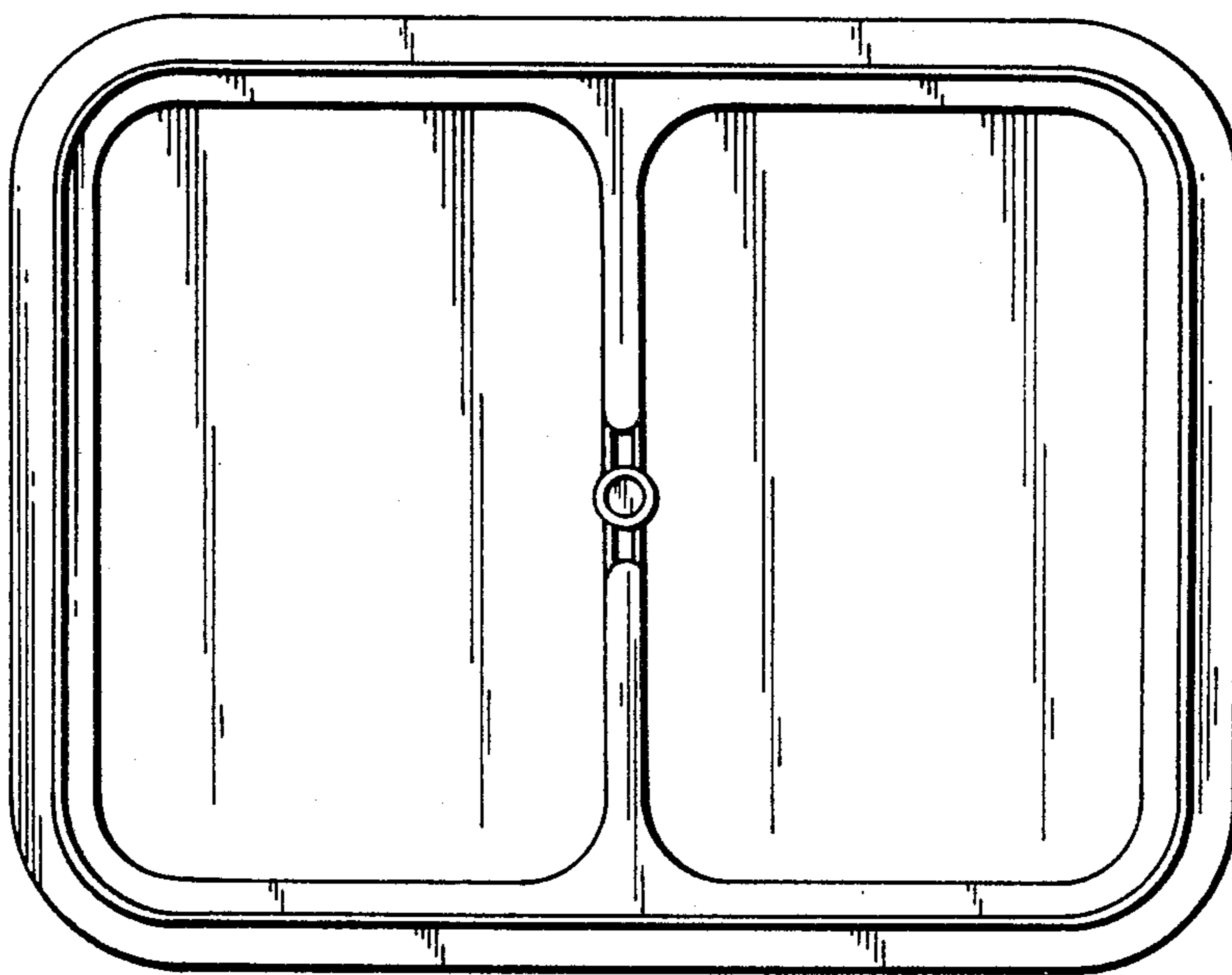


FIG. 13

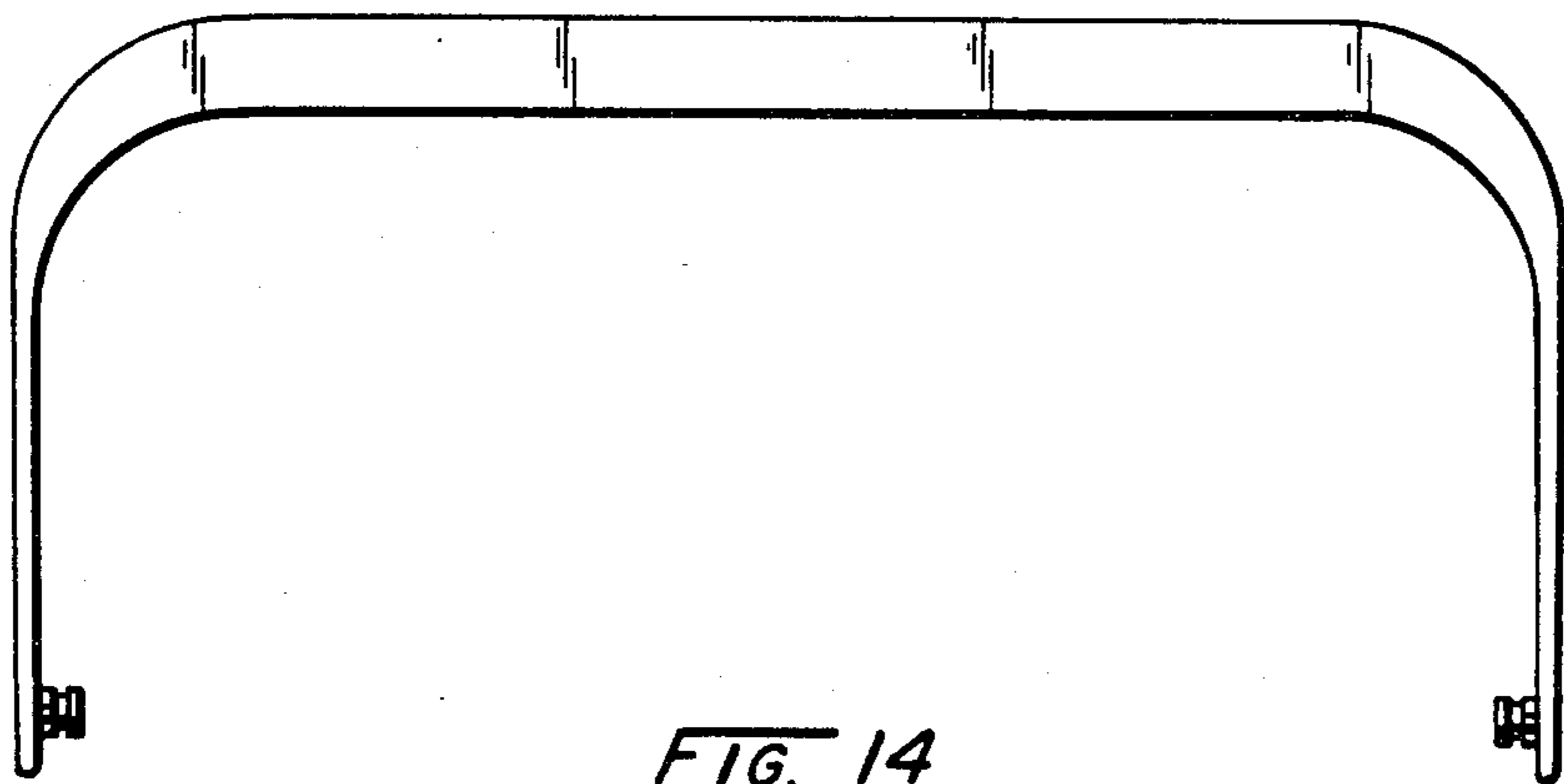


FIG. 14



FIG. 15

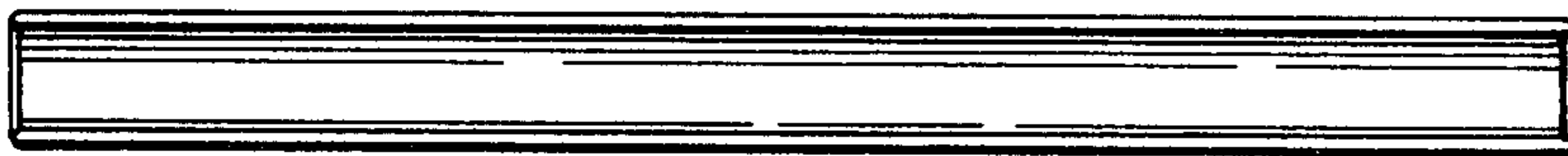


FIG. 16

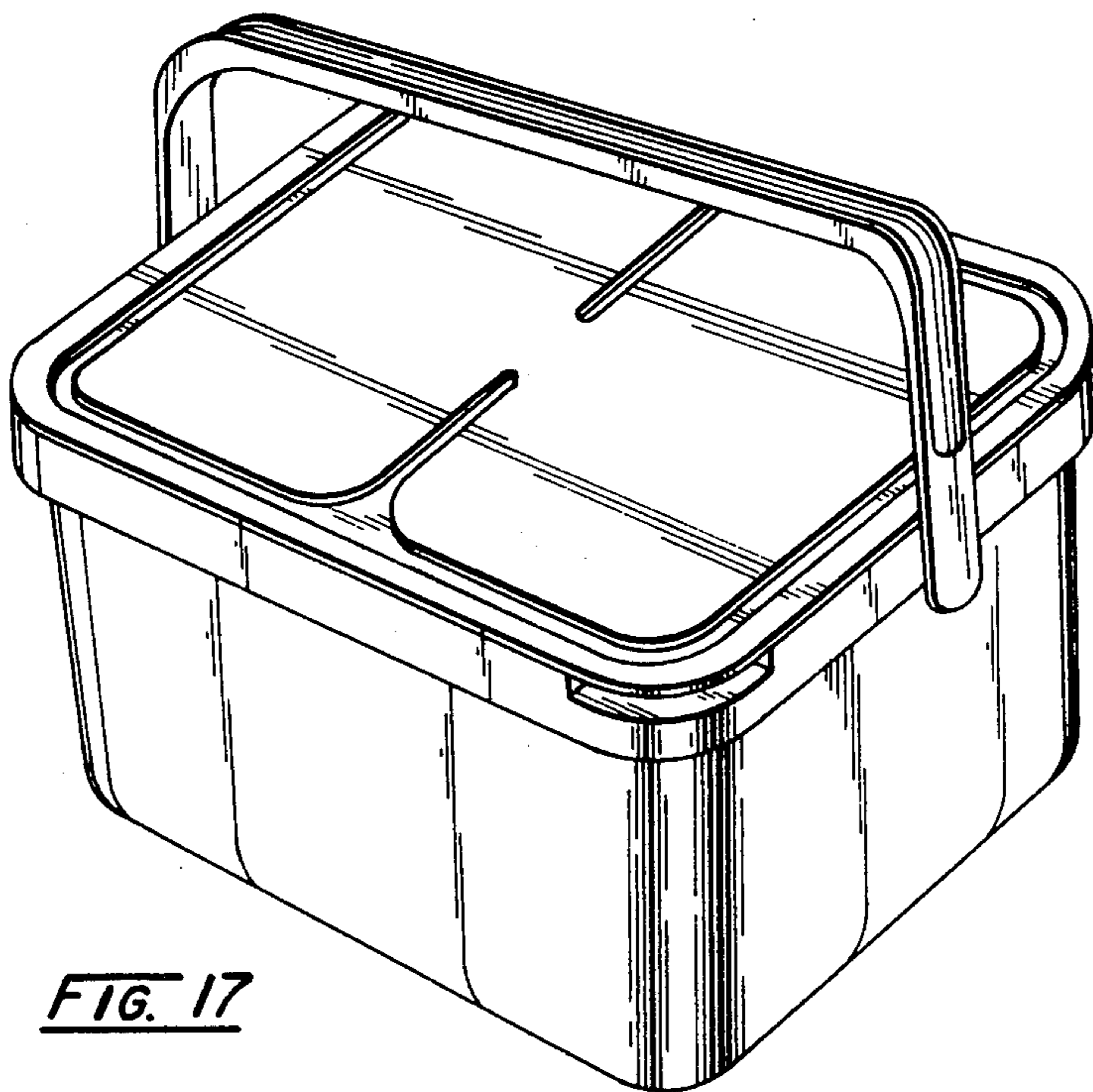


FIG. 17