

[54] PASTRY CUTTER WITH REMOVABLE CUTTING MOLDS

[76] Inventor: So Shun, 2nd floor, Block B, Chuan Yuan Factory Bldg., 342-344 Kwun Tong Rd., Kwun Tong, Kowloon, Hong Kong

[\*\*] Term: 14 Years

[21] Appl. No.: 440,013

[22] Filed: Nov. 8, 1982

[30] Foreign Application Priority Data

Jul. 1, 1982 [GB] United Kingdom ..... 1 007 509

[52] U.S. Cl. .... D7/43

[58] Field of Search ..... D7/43, 106, 99; 30/306, 30/316

[56] References Cited

U.S. PATENT DOCUMENTS

1,727,747	9/1929	Carney	30/306
1,727,748	9/1929	Carney	D7/43 X
2,119,260	5/1938	Valle	30/316 X
4,156,968	6/1979	Gould et al.	D7/106 X

FOREIGN PATENT DOCUMENTS

551935	11/1956	Italy	30/306
562951	5/1957	Italy	30/306
105157	10/1964	Norway	30/306
250648	7/1948	Switzerland	30/306

OTHER PUBLICATIONS

Good Housekeeping, Dec. 1980, p. 260, Roll-Out Cookie

Wheel, "Dr. Oetker" Cookie Cutter Wheel., middle row.

House Beautiful, Jul., 1978, p. 98, Rosettes and Patty Shells Shown-H. M. Specialties.

Primary Examiner—Winifred E. Herrmann  
Attorney, Agent, or Firm—Wood, Herron & Evans

[57] CLAIM

The ornamental design for a pastry cutter with removable cutting molds, as shown and described.

DESCRIPTION

FIG. 1 is a top, front, left side perspective view of a pastry cutter with five removable cutting molds showing my new design;  
 FIG. 2 is a right side elevation thereof;  
 FIG. 3 is a left side elevation thereof;  
 FIG. 4 is a top view thereof showing a first one of the five molds;  
 FIG. 5 is a front end view thereof;  
 FIG. 6 is a top, front, left side perspective view similar to FIG. 1 but with one of the cutting molds removed from connected relation with the pastry cutter;  
 FIG. 7 is a top view thereof similar to FIG. 4 but illustrating a second one of the five molds;  
 FIG. 8 is a top view thereof similar to FIG. 4 but illustrating a third one of the five molds;  
 FIG. 9 is a top view thereof similar to FIG. 4 but illustrating a fourth one of the five molds; and  
 FIG. 10 is a top view thereof similar to FIG. 4 but illustrating the fifth one of the five molds.

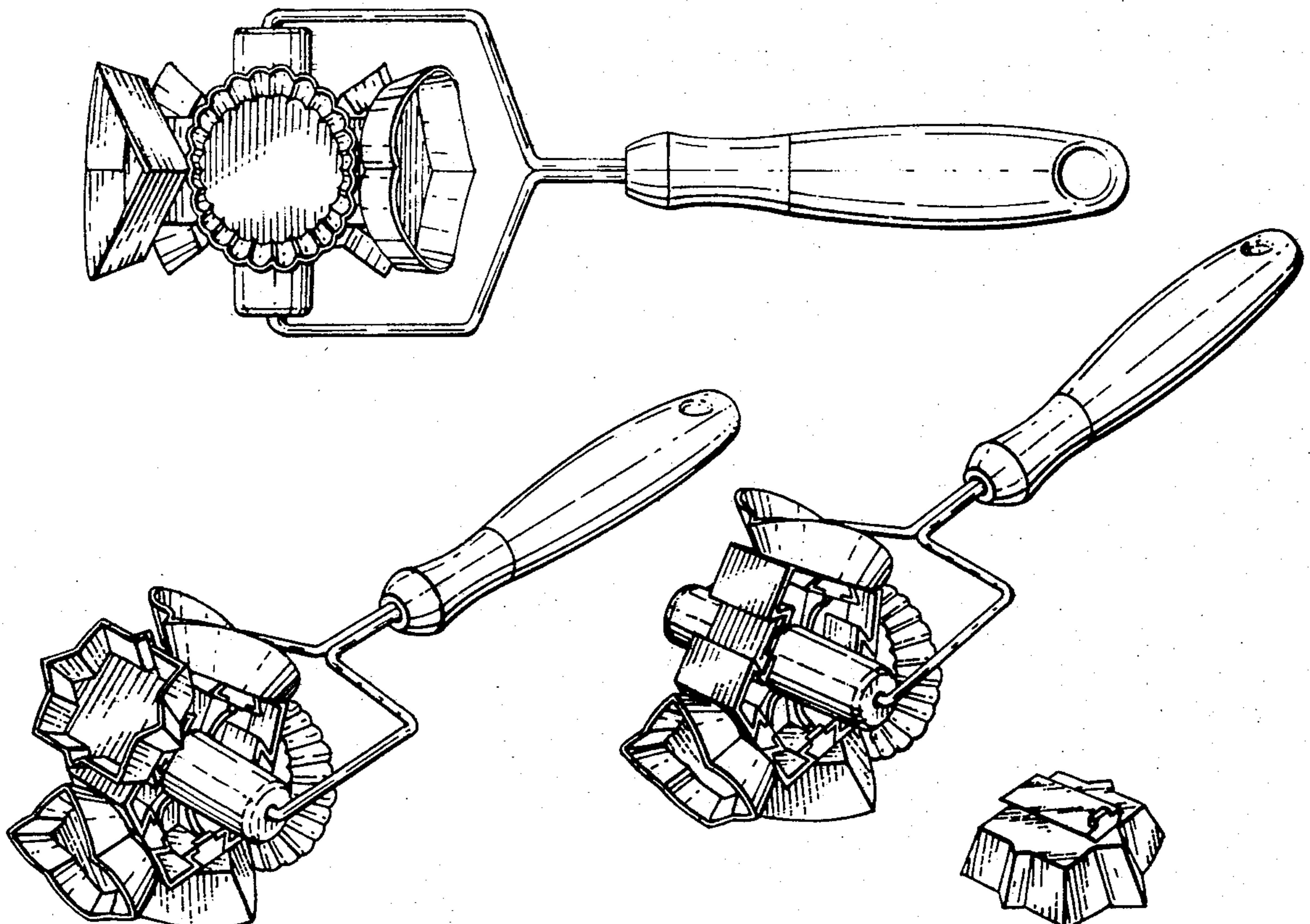


FIG. 1.

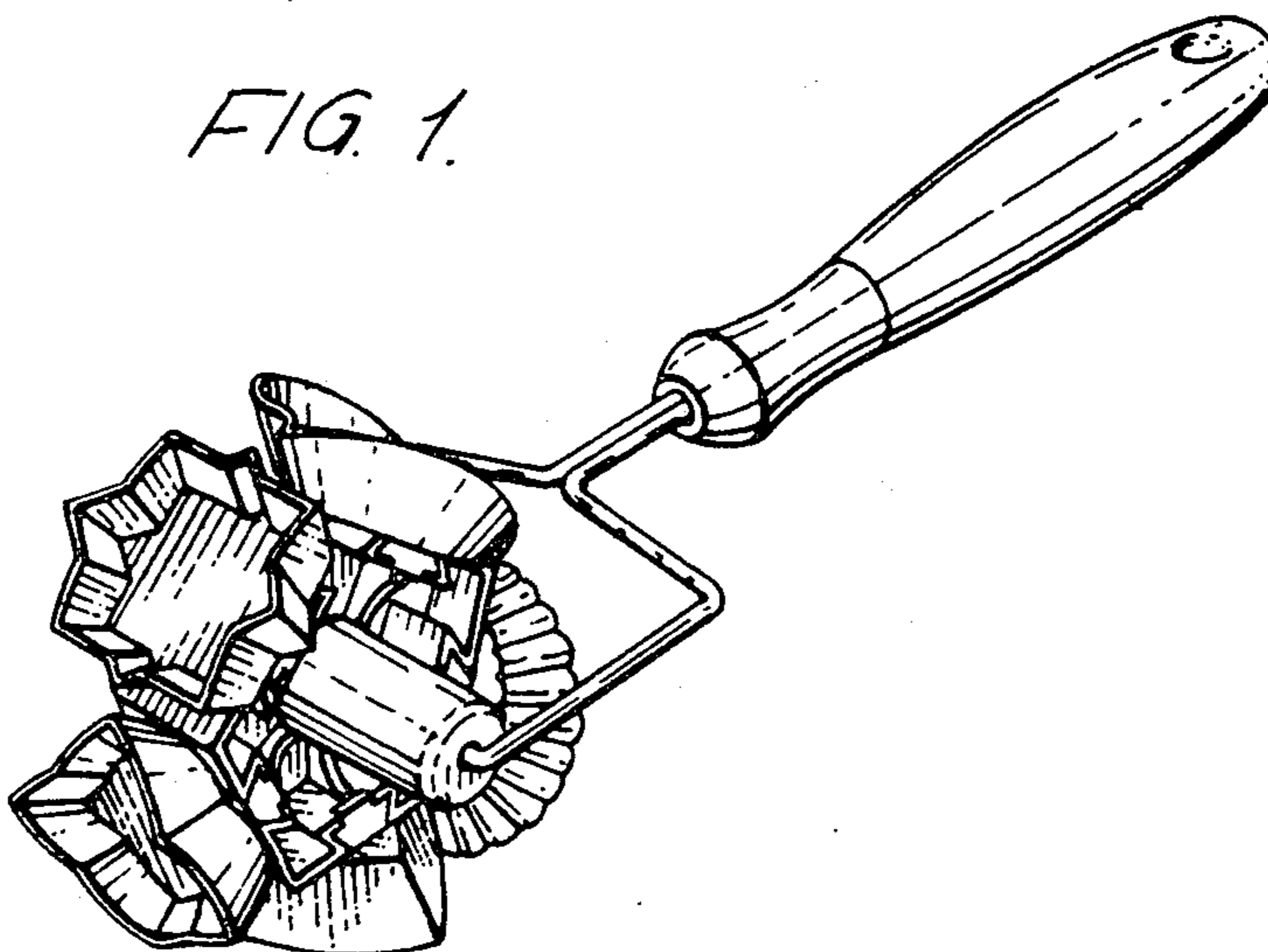
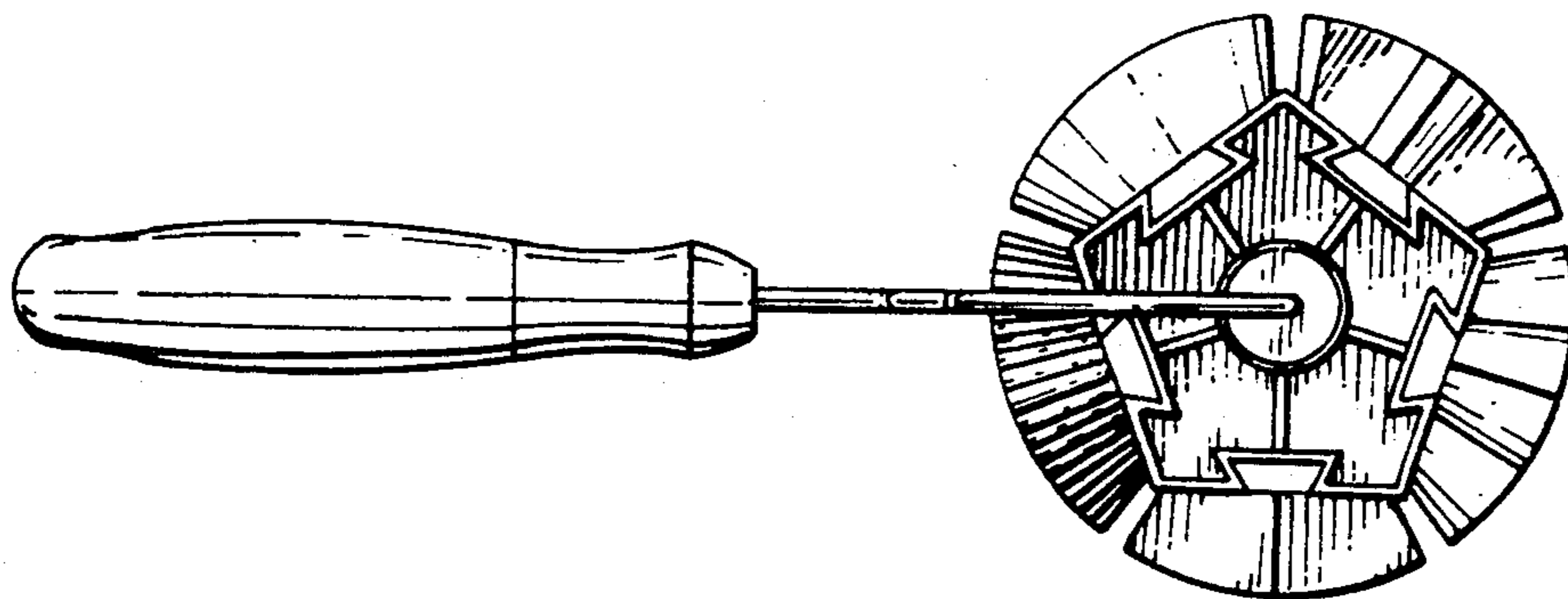


FIG. 2.



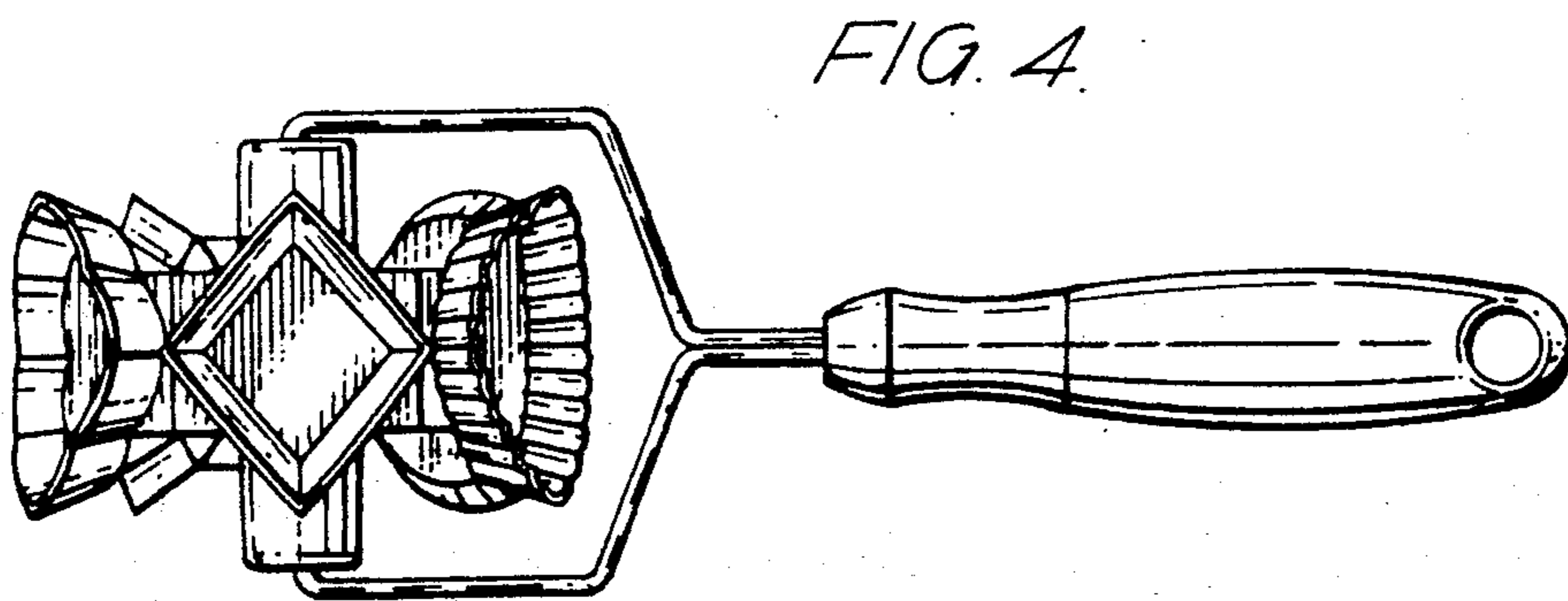
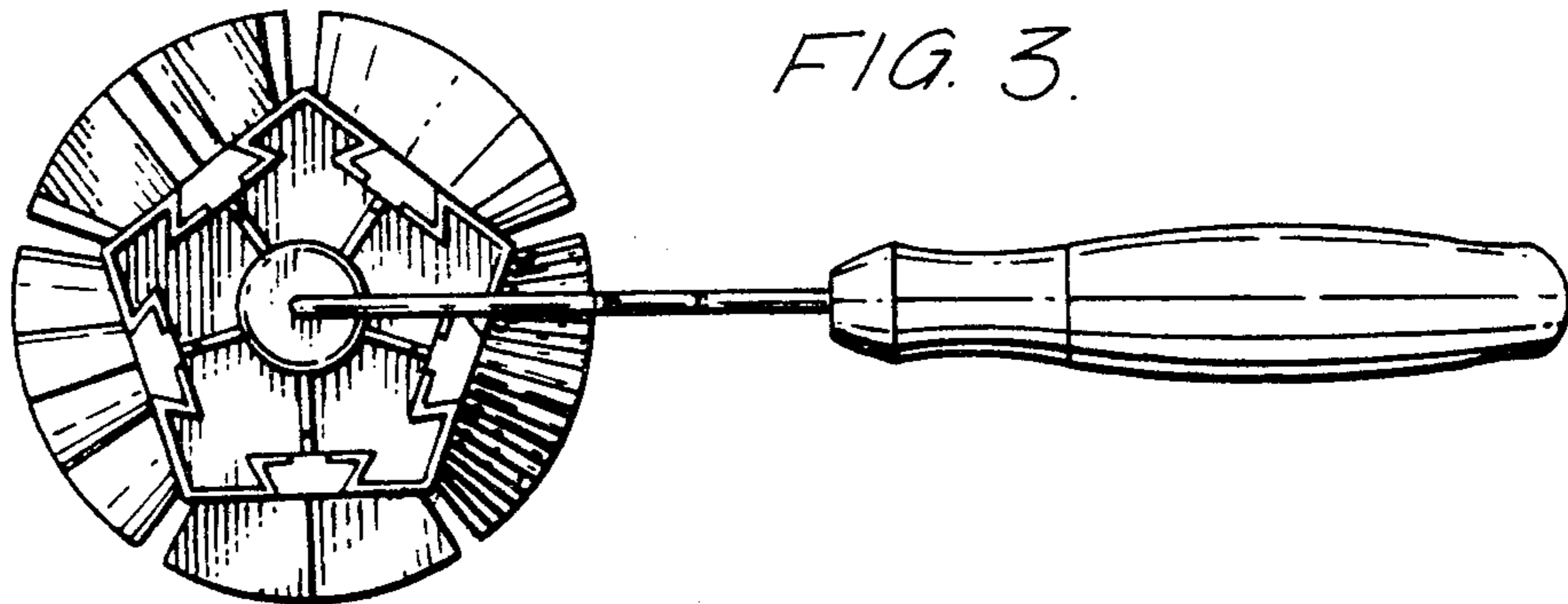


FIG. 5.

