

[54] **HIGH CHAIR**

[75] **Inventor: Gary R. Lemmeyer, East Aurora, N.Y.**

[73] **Assignee: The Quaker Oats Company, Chicago, Ill.**

[**] **Term: 14 Years**

[21] **Appl. No.: 576,264**

[22] **Filed: Feb. 2, 1984**

[52] **U.S. Cl. D6/339**

[58] **Field of Search D6/333, 334, 339; 297/19, 365, 76, 135, 148, 173, 174, 153**

[56] **References Cited**

U.S. PATENT DOCUMENTS

D. 153,870 5/1949 Frush D6/339

D. 177,760	5/1956	Pokorny, Jr.	D6/339
D. 184,192	12/1958	Peterson	D6/339
D. 208,152	7/1967	Levy et al.	D6/339
D. 246,553	12/1977	Ballenger	D6/339
3,425,743	2/1969	Peterson	297/19
3,649,074	3/1972	McDonald et al.	297/153

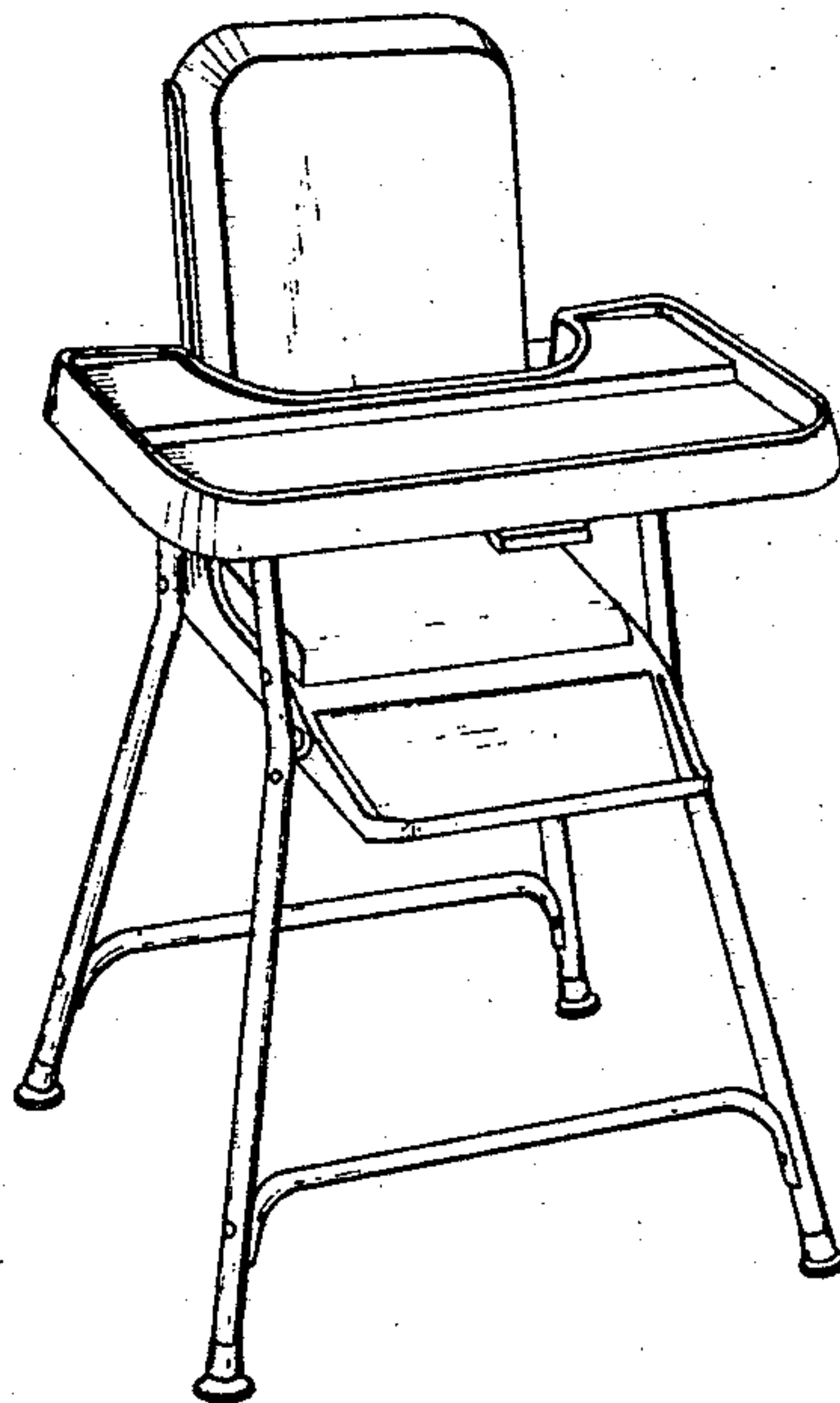
Primary Examiner—Bruce W. Dunkins
Attorney, Agent, or Firm—Cumpston & Shaw

[57] **CLAIM**

The ornamental design for a high chair, substantially as shown and described.

DESCRIPTION

FIG. 1 is a perspective view of the front, top and left sides of a high chair showing my new design; FIG. 2 is a rear elevational view thereof; and FIG. 3 is a right-side elevational view thereof, the left side being substantially a mirror image thereof.



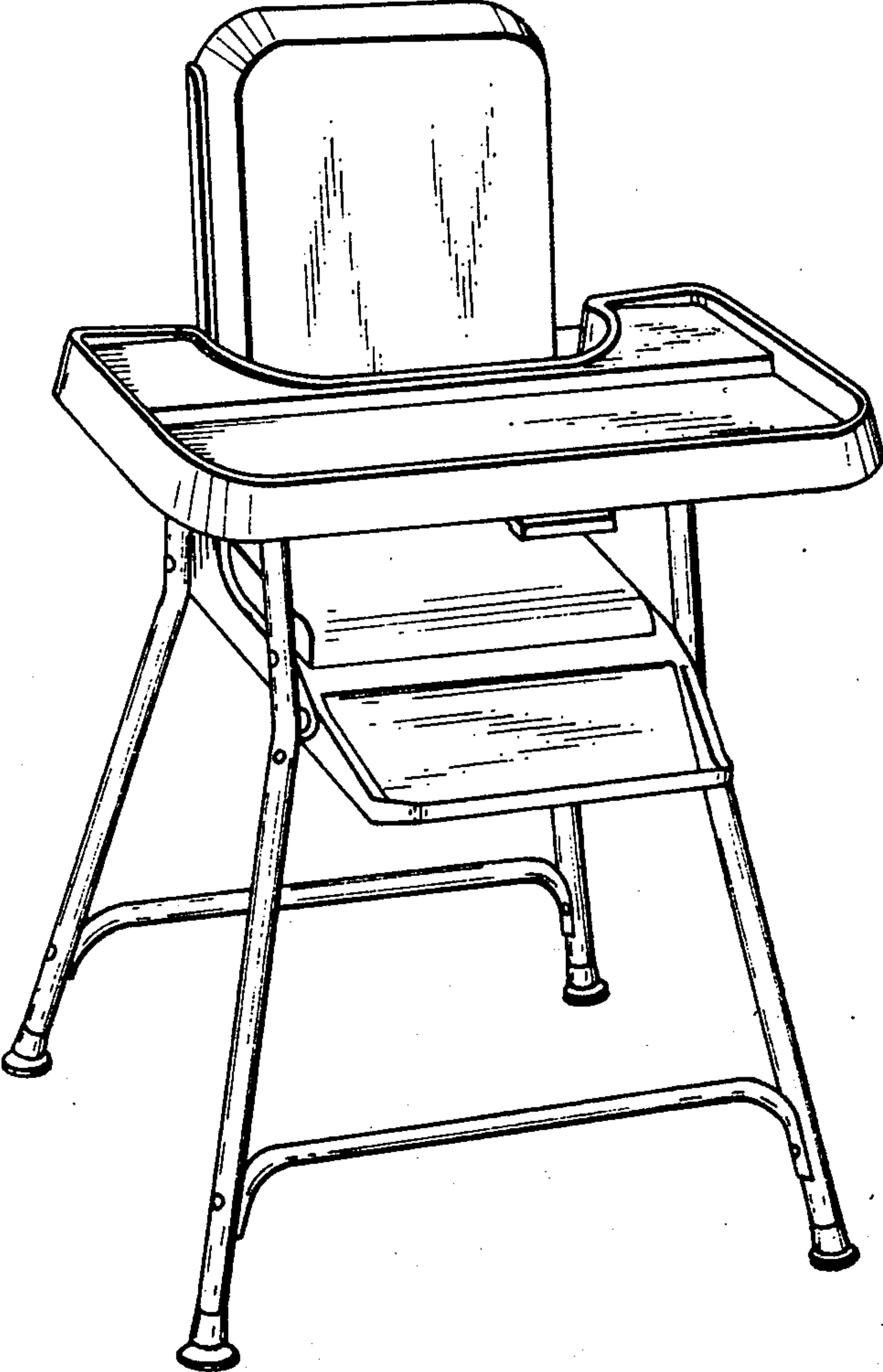


FIG. 1

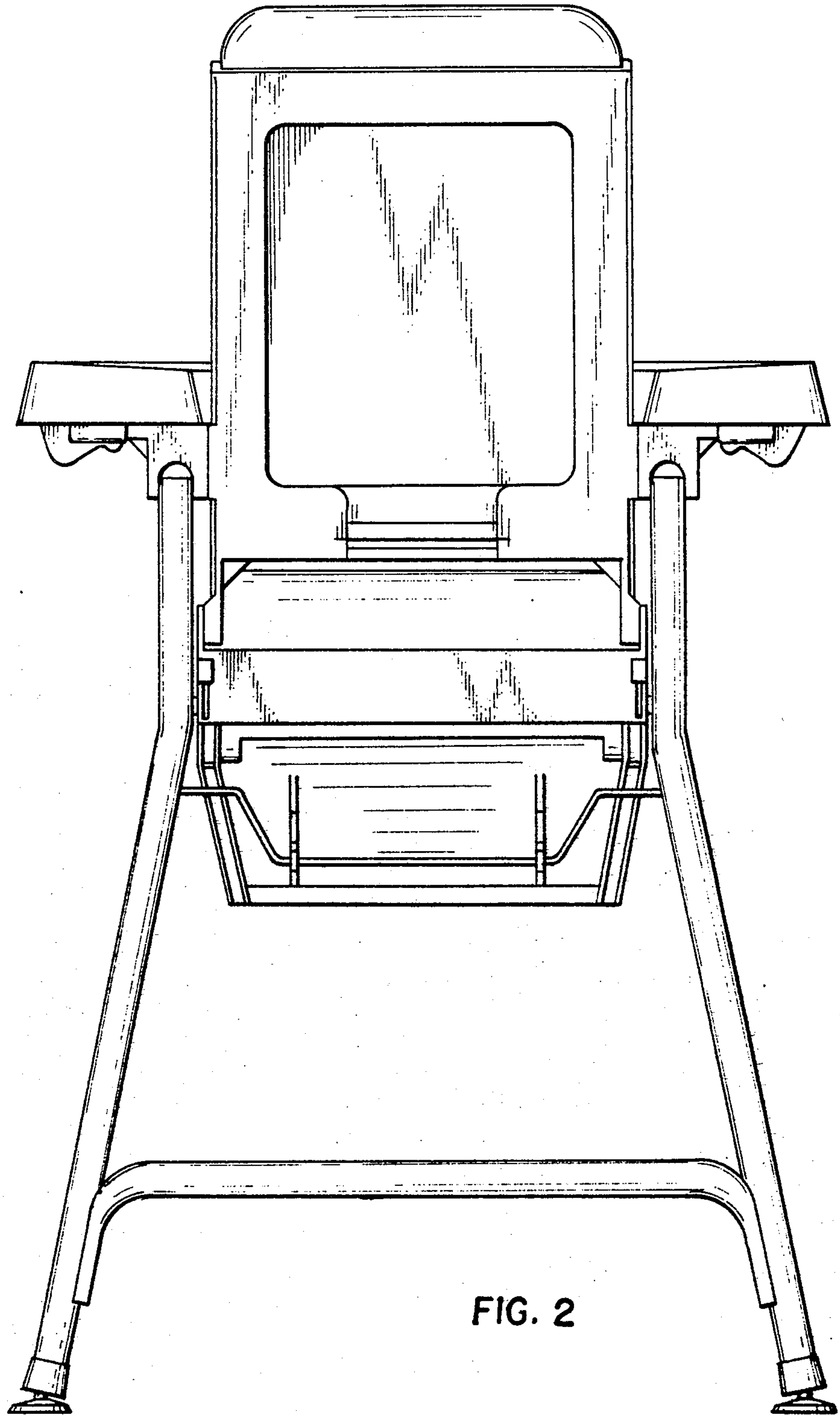


FIG. 2

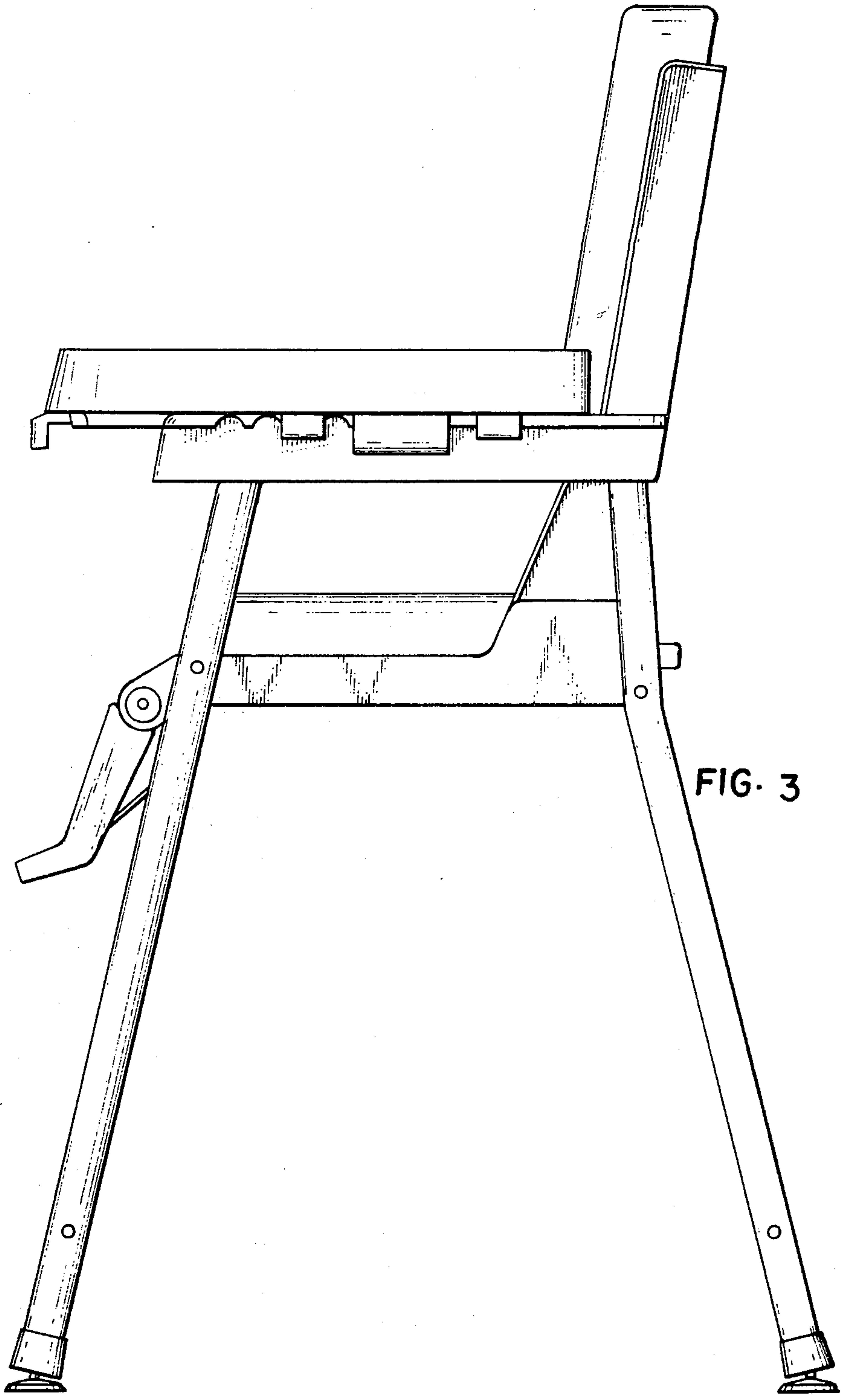


FIG. 3