

[54] COMBINED LEG AND KNEE REST OR SIMILAR ARTICLE

[76] Inventors: Hans C. Mengshoel, Bygdøy Allé 12, Oslo 2; Peter Opsvik, Høgtunveien 12, 1370 Asker, both of Norway

[**] Term: 14 Years

[21] Appl. No.: 526,354

[22] Filed: Aug. 25, 1983

[30] Foreign Application Priority Data

Feb. 28, 1983 [NO] Norway 63781

[52] U.S. Cl. D6/330

[58] Field of Search D6/334, 335, 350, 360, D6/367, 380, 501, 502; D6/330; 297/423, 438, 439

[56] References Cited

U.S. PATENT DOCUMENTS

- D. 154,036 6/1949 Grubb et al. D6/330
- D. 256,295 8/1980 Hay D6/330

- D. 265,610 8/1982 Gusrud et al. D6/373
- D. 265,612 8/1982 Gusrud et al. D6/373

Primary Examiner—Bruce W. Dunkins
Attorney, Agent, or Firm—Darby & Darby

[57] CLAIM

The ornamental design for a combined leg and knee rest or similar article, as shown and described.

DESCRIPTION

FIG. 1 is a perspective view from above of a combined leg and knee rest or similar article embodying our new design; and

FIG. 2 is a perspective view from below of the supporting device.

FIG. 3 is a perspective view taken from above and showing a modified form of the combined leg and knee rest or similar article of FIG. 1 and,

FIG. 4 is a perspective view thereof taken from below. The undisclosed sides of the combined leg and knee rest or similar article not shown are mirror images of the sides shown in FIGS. 1 and 3, respectively.

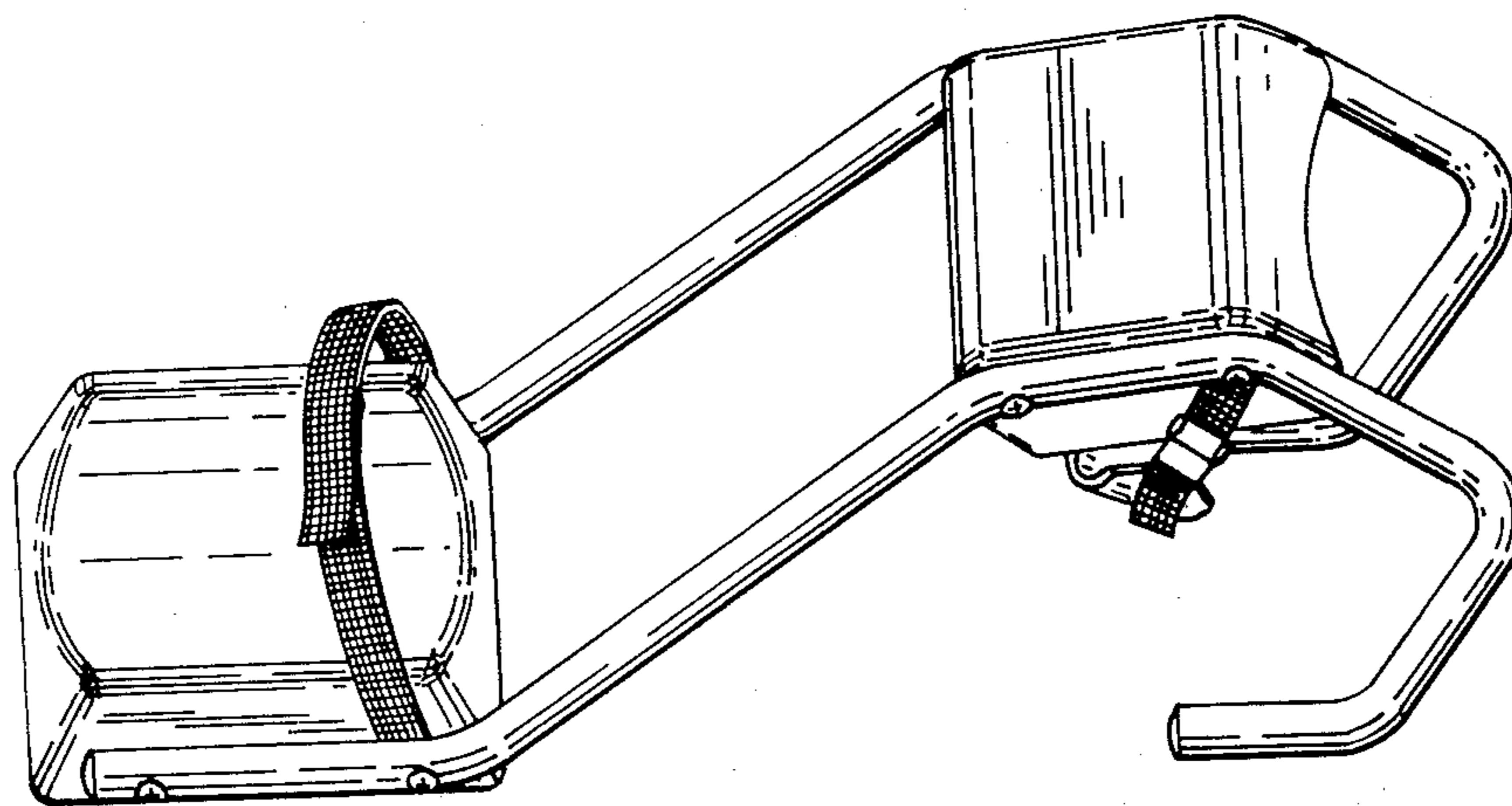


Fig. 1.

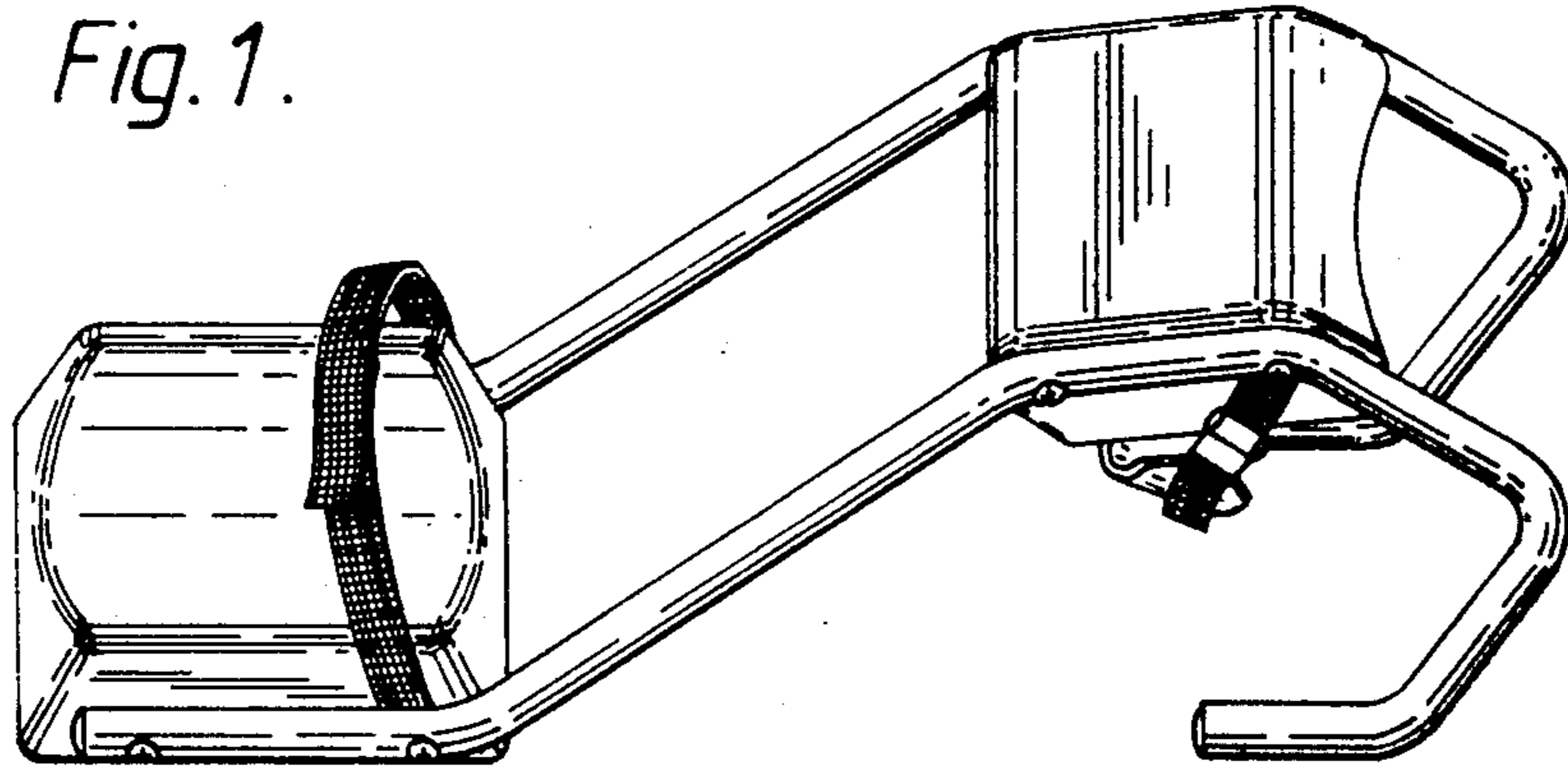


Fig. 2.

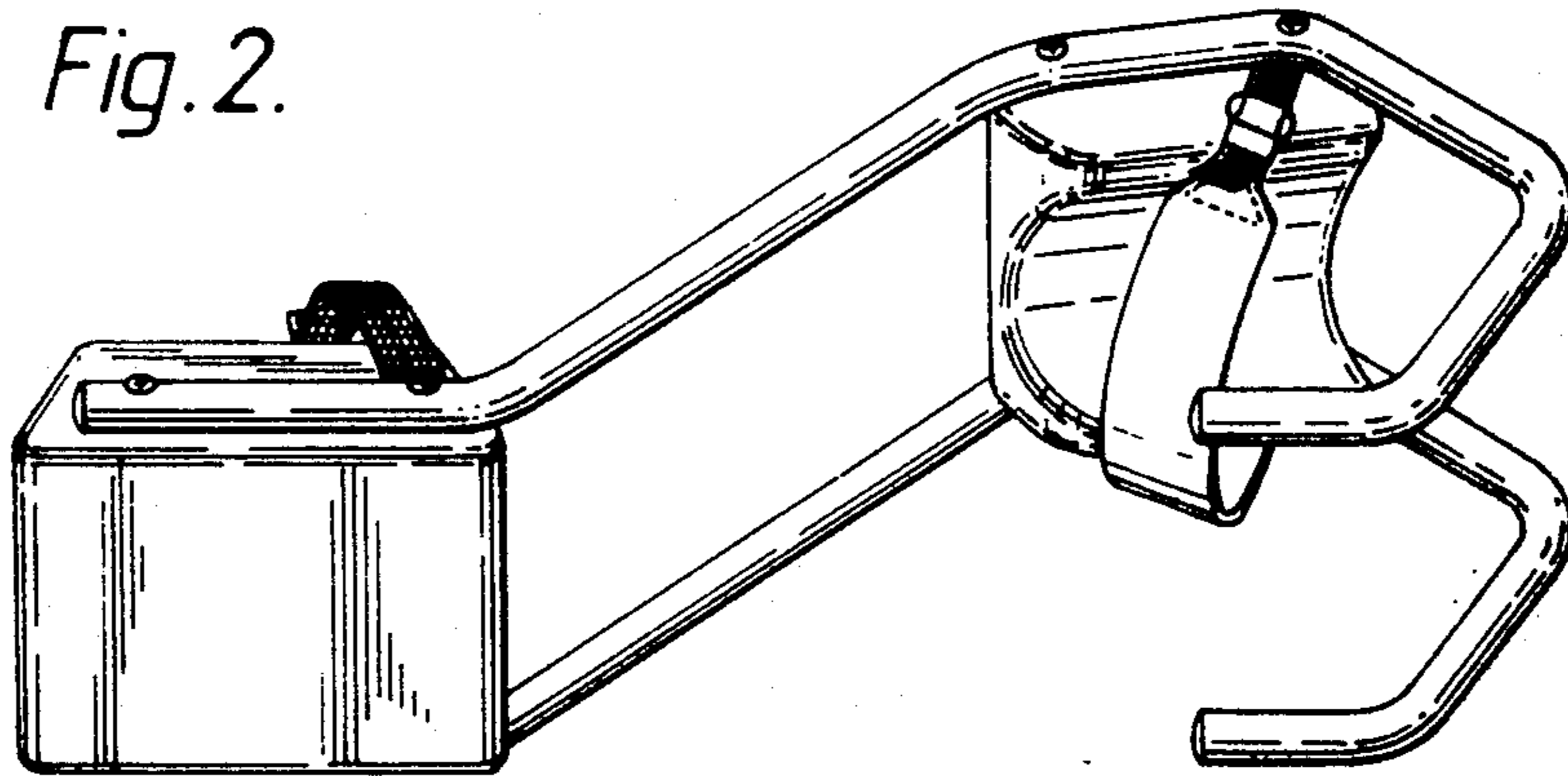


Fig. 3.

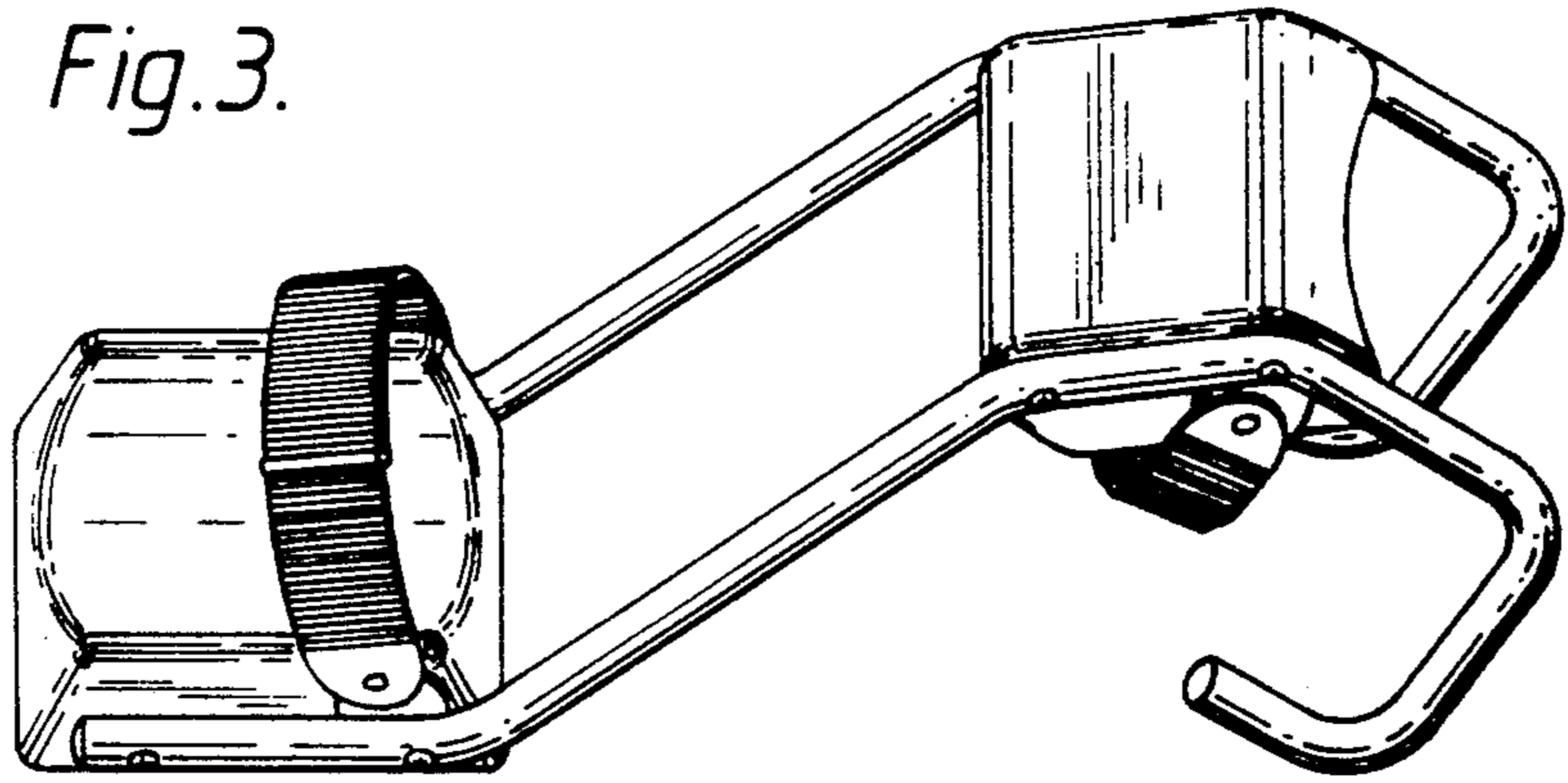


Fig. 4.

