

[54] COMBINED CARD AND CALCULATOR CASE

[75] Inventor: Aaron Markowitz, Rochester, N.Y.

[73] Assignee: Harwood Manufacturing Company, Providence, R.I.

[\*\*] Term: 14 Years

[21] Appl. No.: 549,901

[22] Filed: Nov. 7, 1983

[52] U.S. Cl. .... D3/58; D3/30.1; D3/74; D3/78; D18/11

[58] Field of Search ..... D3/30.1, 33-35, D3/39, 42, 56, 58, 74, 75, 78; D28/38, 83; D18/11

[56] References Cited

U.S. PATENT DOCUMENTS

D. 141,079 5/1945 Bogoff ..... D3/42

D. 236,488 8/1975 Fossella ..... D18/11  
D. 270,387 8/1983 Rutherford ..... D3/39  
D. 273,427 4/1984 Barradas ..... D3/39  
D. 277,037 1/1985 Nadel ..... D28/83

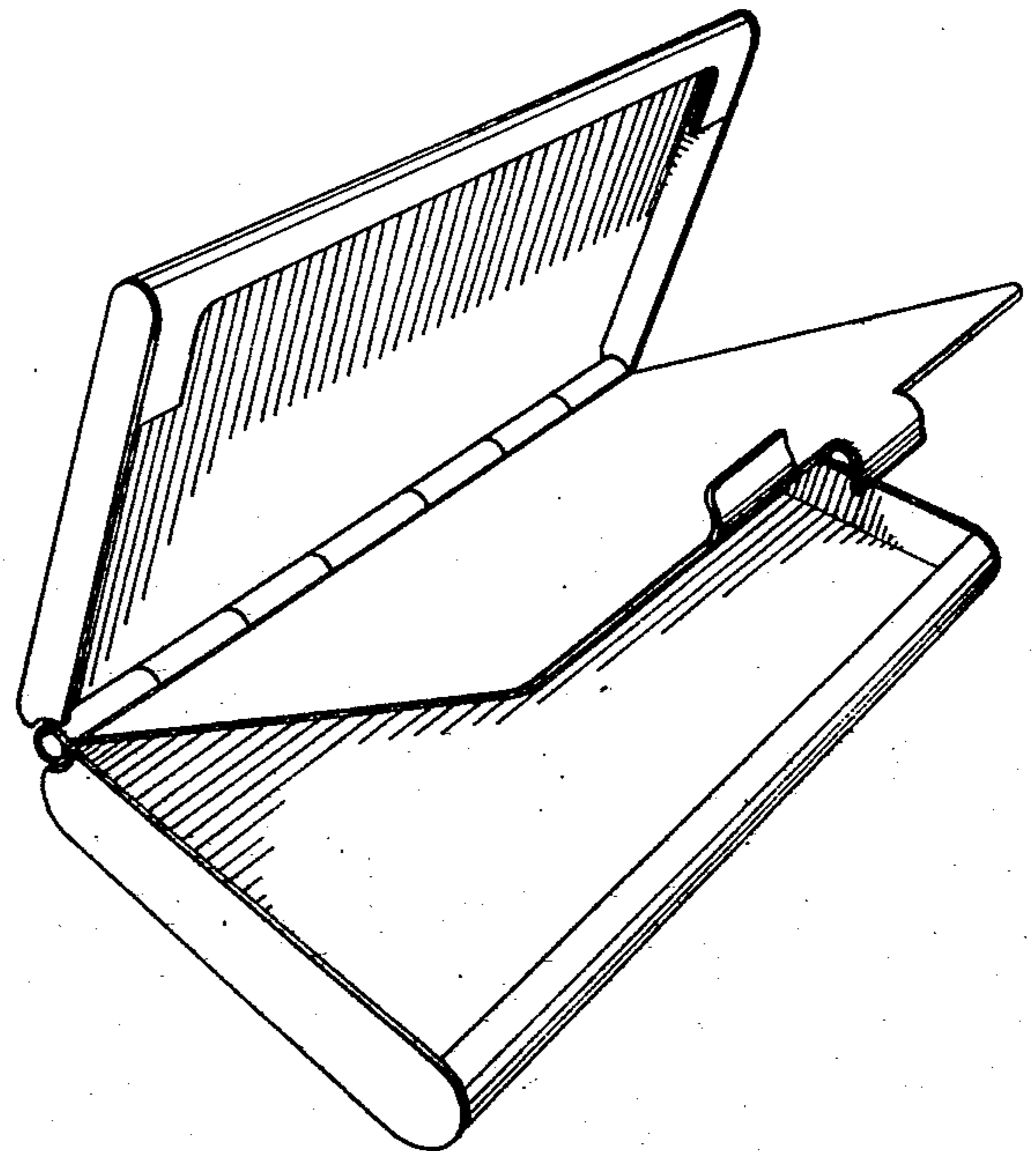
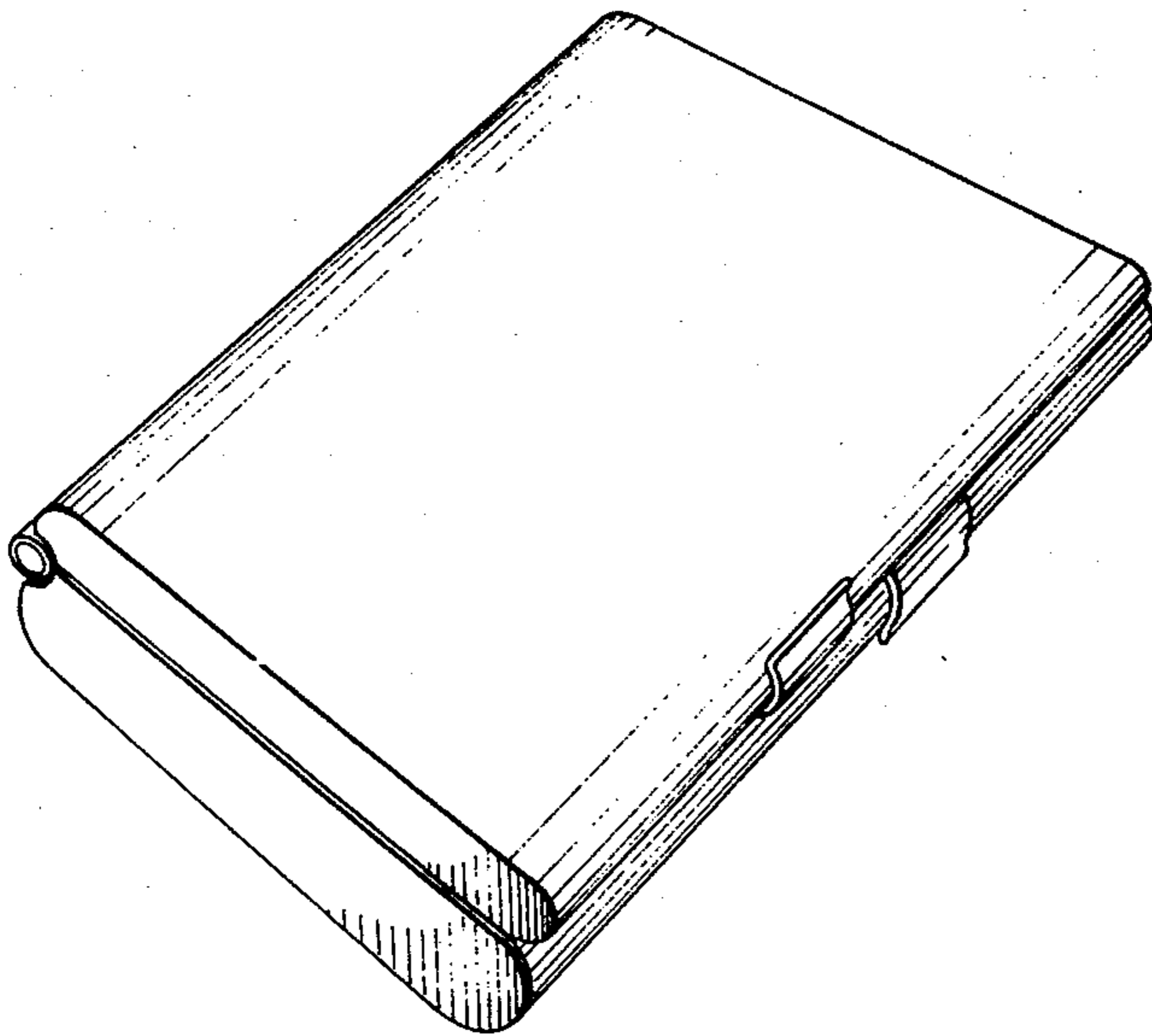
Primary Examiner—George P. Word  
Attorney, Agent, or Firm—Salter & Michaelson

[57] CLAIM

The ornamental design for a combined card and calculator case, substantially as shown and described.

DESCRIPTION

FIG. 1 is a perspective view of a combined card and calculator case showing my new design;  
FIG. 2 is a top plan view thereof;  
FIG. 3 is a bottom plan view thereof;  
FIG. 4 is a left end elevational view thereof;  
FIG. 5 is a right end elevational view thereof;  
FIG. 6 is a front elevational view thereof;  
FIG. 7 is a rear elevational view thereof; and  
FIG. 8 is a perspective view showing the container in open position.



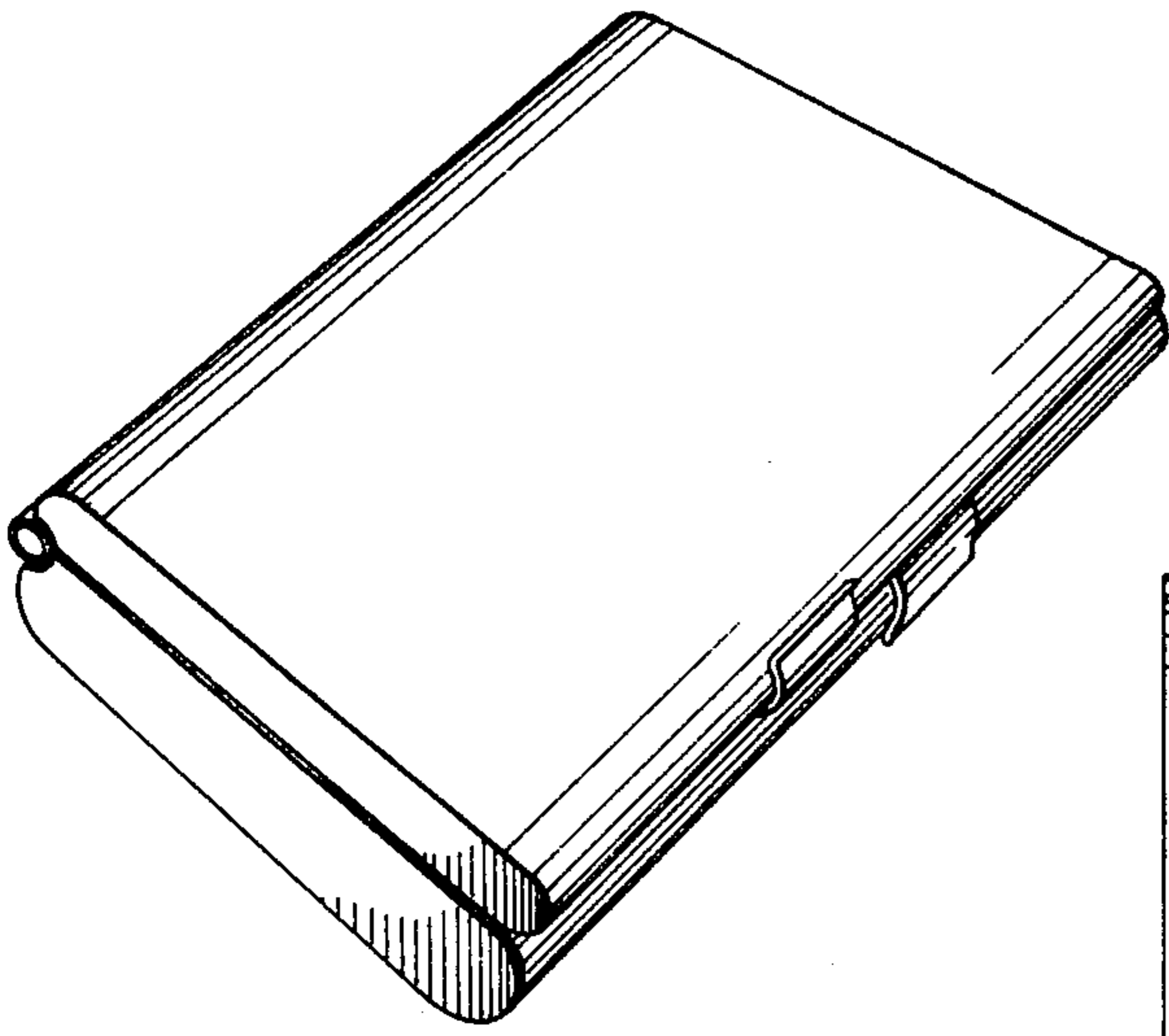


FIG. 1

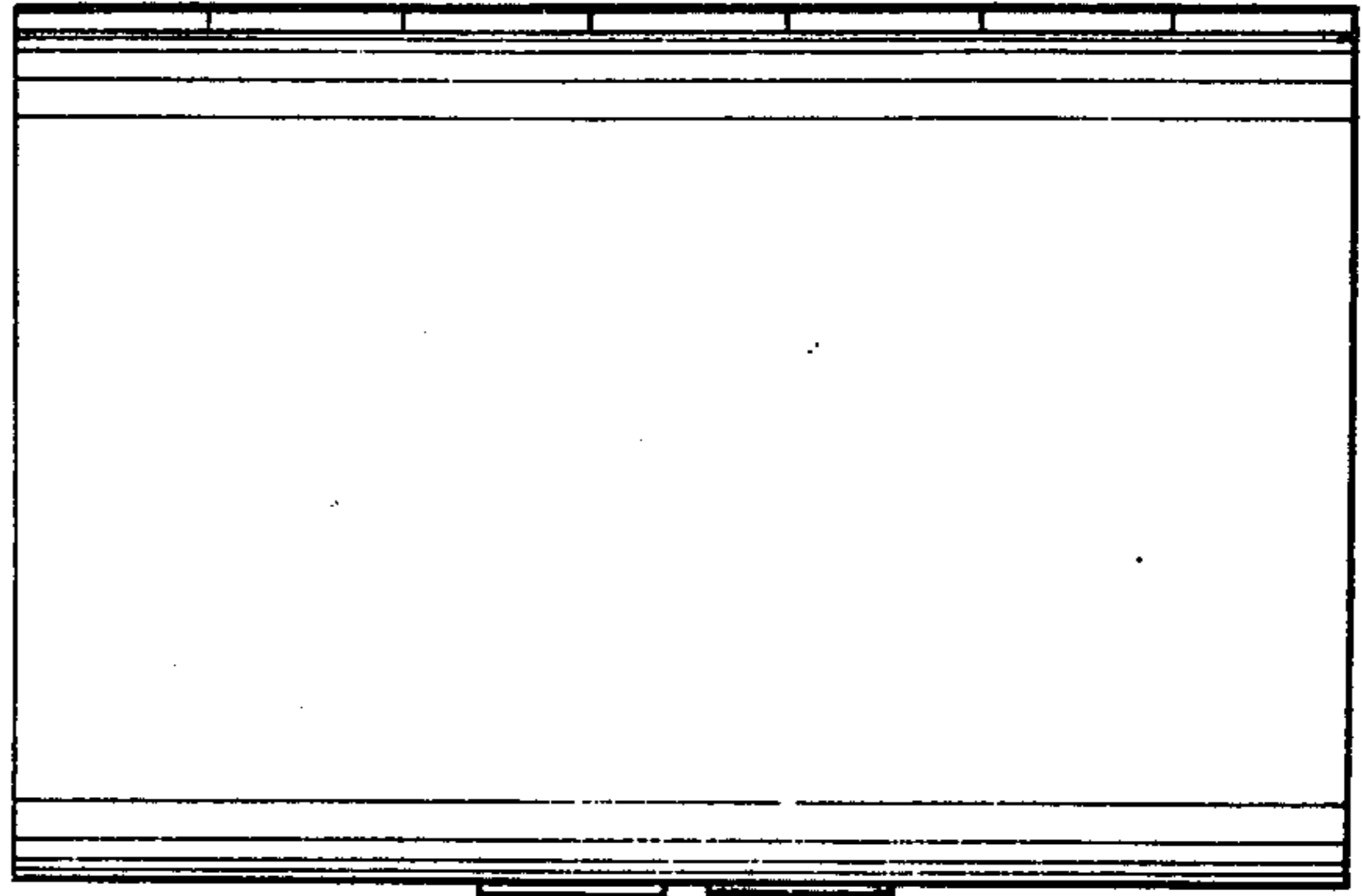


FIG. 2

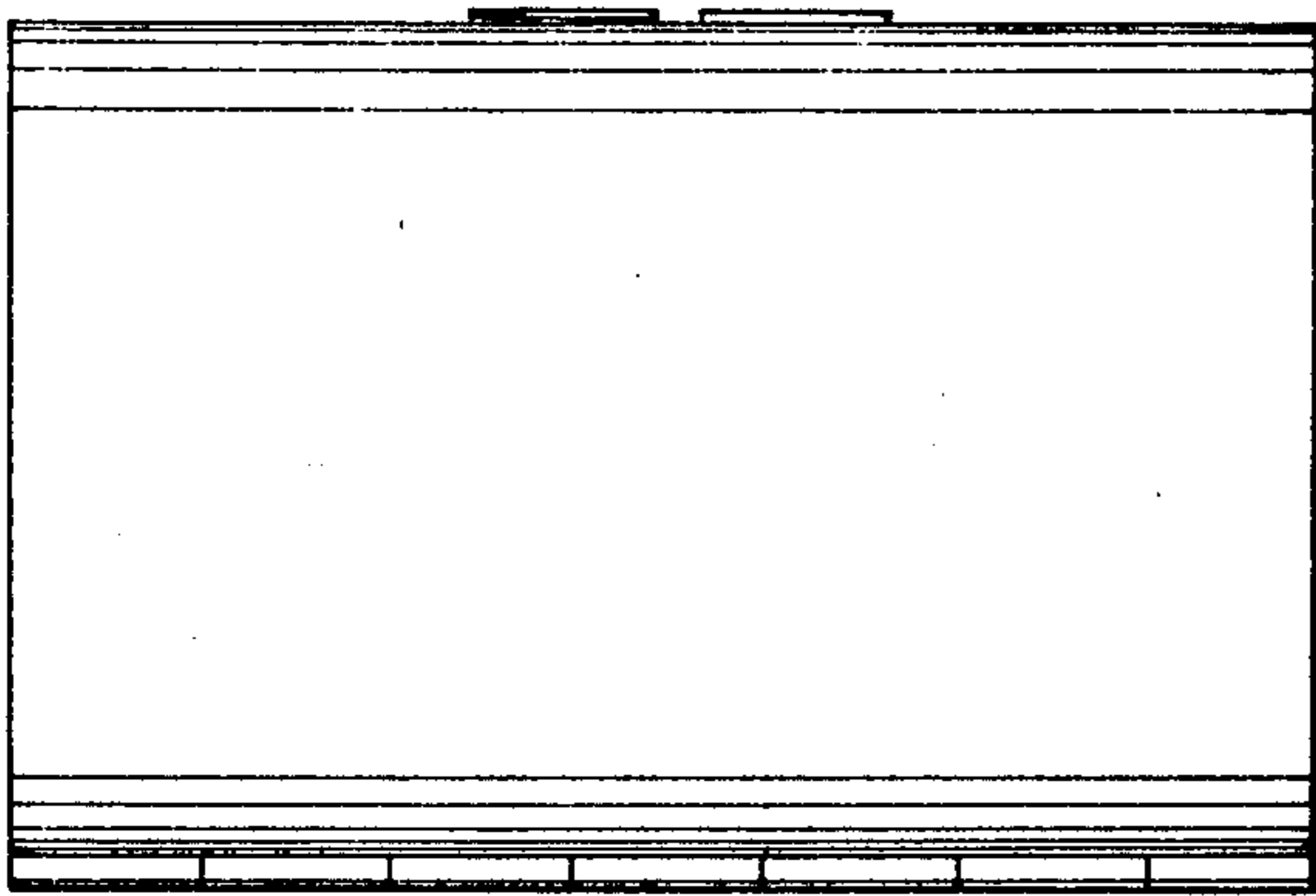


FIG. 3

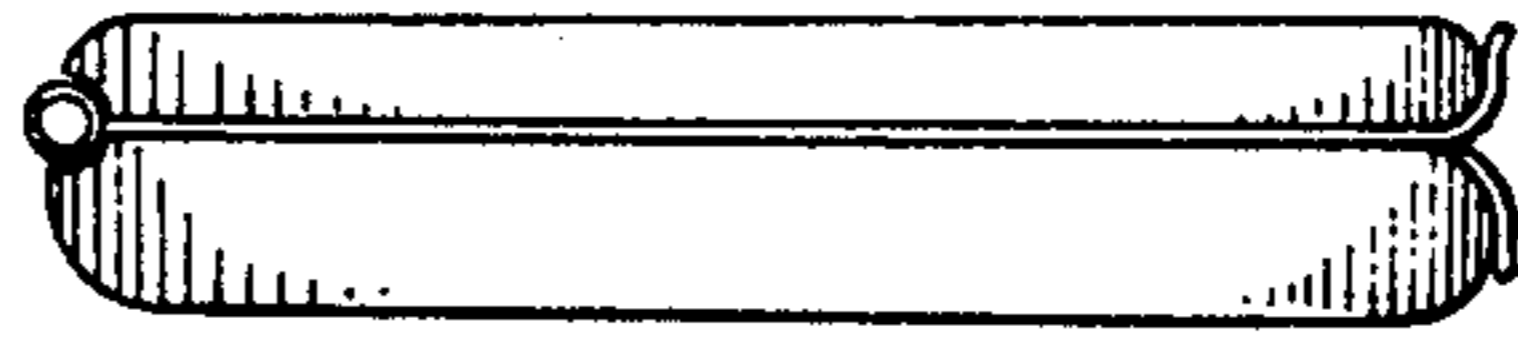


FIG. 4

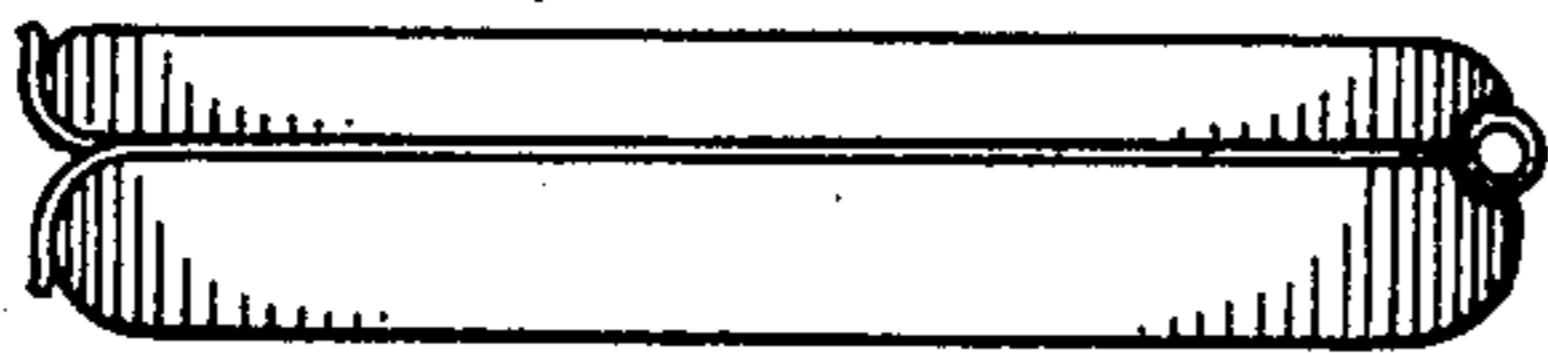


FIG. 5

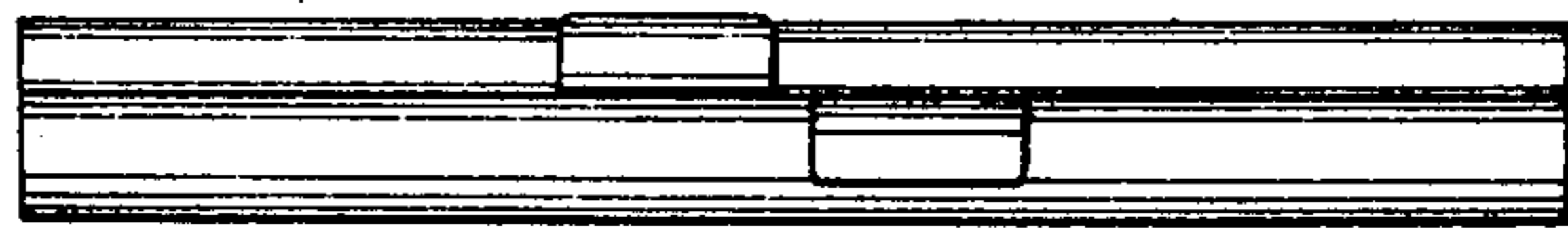


FIG. 6

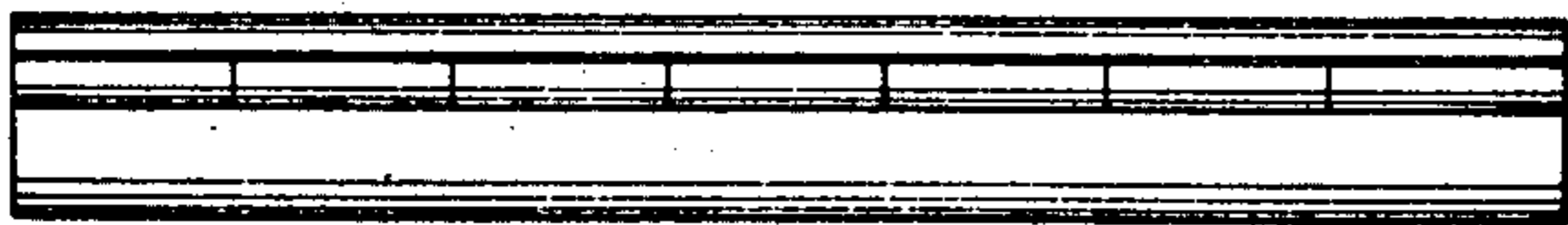


FIG. 7

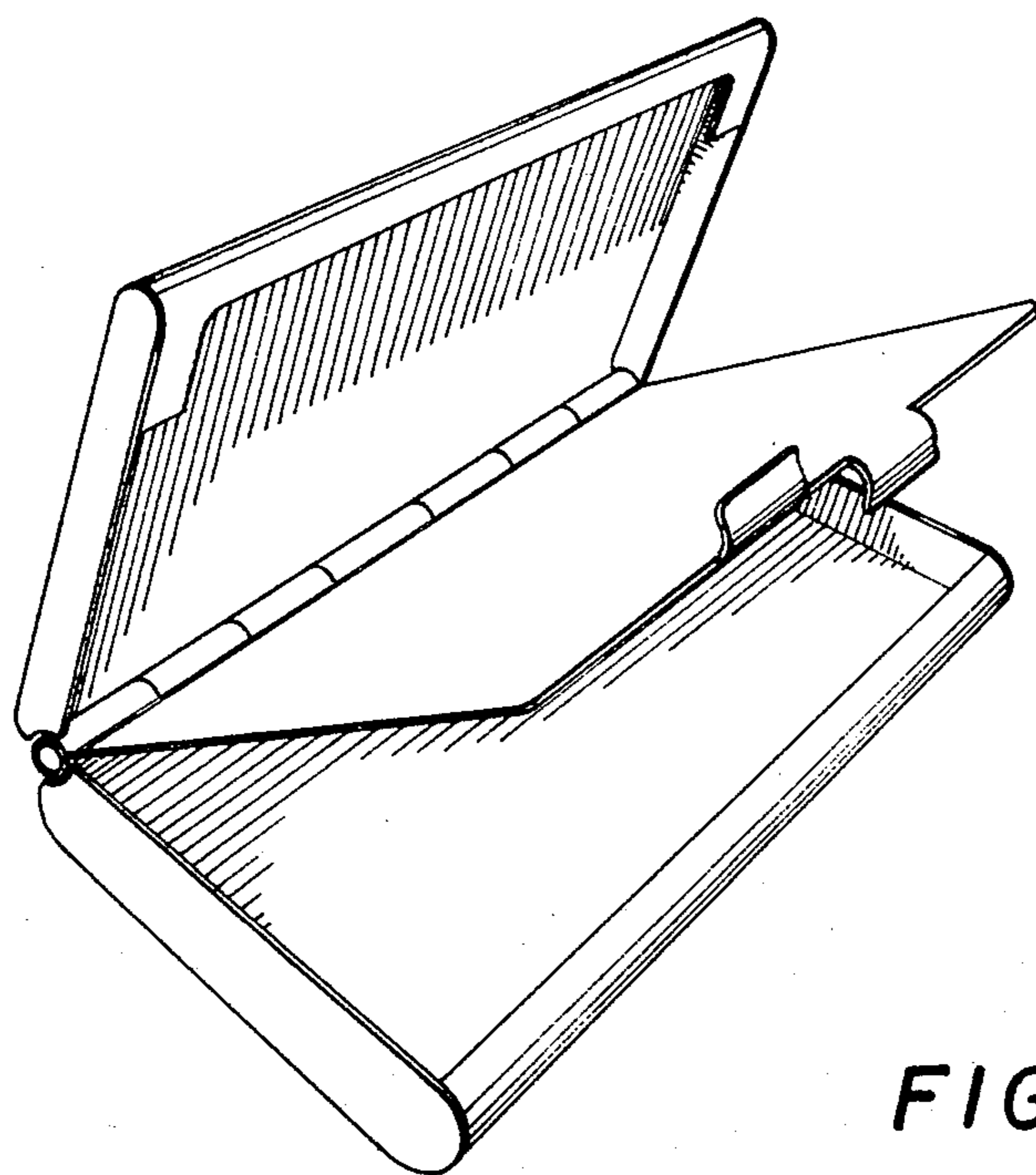


FIG. 8