

[54] STORAGE AND FILING CONTAINER FOR MAGNETIC DISKS

[75] Inventors: Leon C. Clouser, Lombard; Gerald R. Klaus, St. Charles; Paul D. Nizzere, Darien; Robert A. O'Neil, West Chicago; Douglas S. Ramsdale, Palatine; Thomas E. Williams, Glendale Heights, all of Ill.

[73] Assignee: Fellowes Manufacturing Company, Itasca, Ill.

[\*\*] Term: 14 Years

[21] Appl. No.: 563,575

[22] Filed: Dec. 20, 1983

[52] U.S. Cl. .... D3/35; D3/78; D19/76

[58] Field of Search ..... D3/35, 78, 30.1; 40/371, 383; D9/341, 420; D19/75, 76, 89, 90; 206/387, 444, 425, 472, 45.13; 312/284

[56] References Cited

U.S. PATENT DOCUMENTS

D. 202,935	11/1965	Braun	.....	D9/420
D. 243,526	3/1977	Oserman	.....	D19/76
D. 258,295	2/1981	Evenson	.....	D19/76
D. 267,911	2/1983	Long et al.	.....	D3/35
D. 280,477	9/1985	Petrick	.....	D3/35
4,091,918	5/1978	Soulakis	.....	206/45.13
4,498,583	2/1985	Long	.....	206/425

Primary Examiner—George P. Word  
Attorney, Agent, or Firm—Dressler, Goldsmith, Shore, Sutker & Milnamow, Ltd.

[57] CLAIM

The ornamental design for a storage and filing container for magnetic disks, substantially as shown and described.

DESCRIPTION

FIG. 1 is a front perspective view of a storage and filing container for magnetic disks showing our new design; FIG. 2 is a front elevational view thereof; FIG. 3 is a top plan view thereof; FIG. 4 is a side elevational view thereof; FIG. 5 is a rear elevational view thereof; and FIG. 6 is a front perspective view thereof with the cover in the open position.

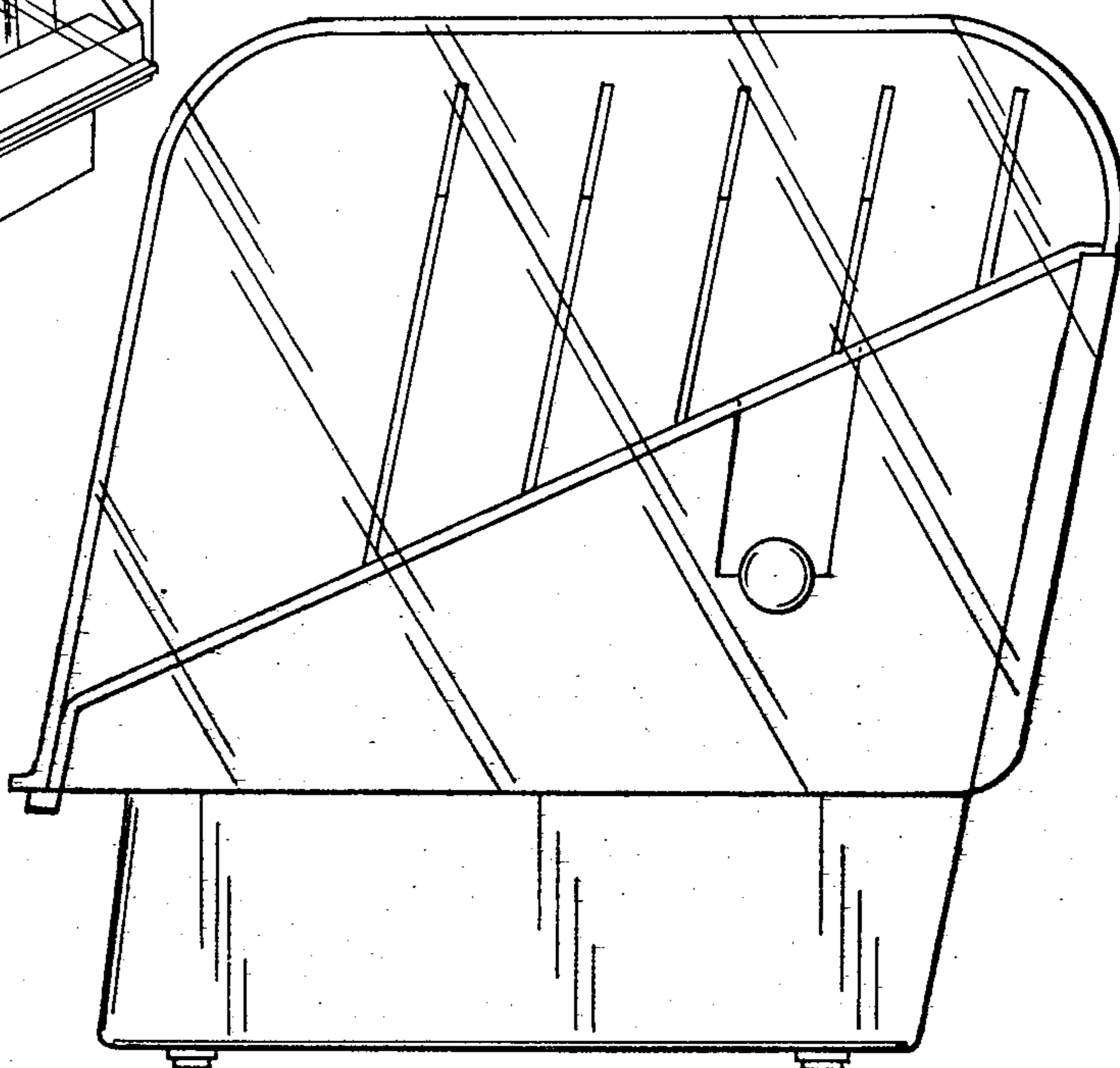
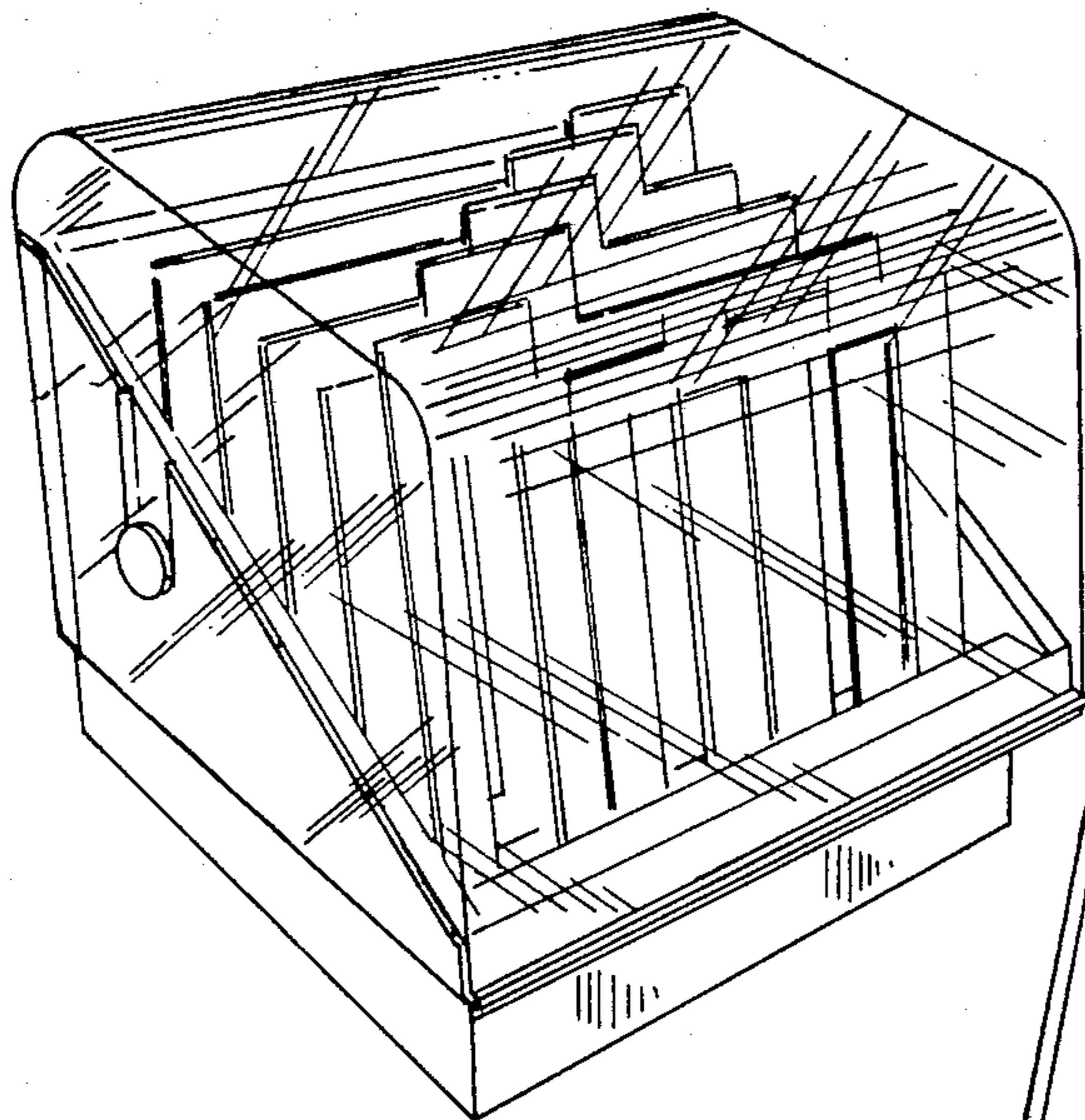


FIG. 1.

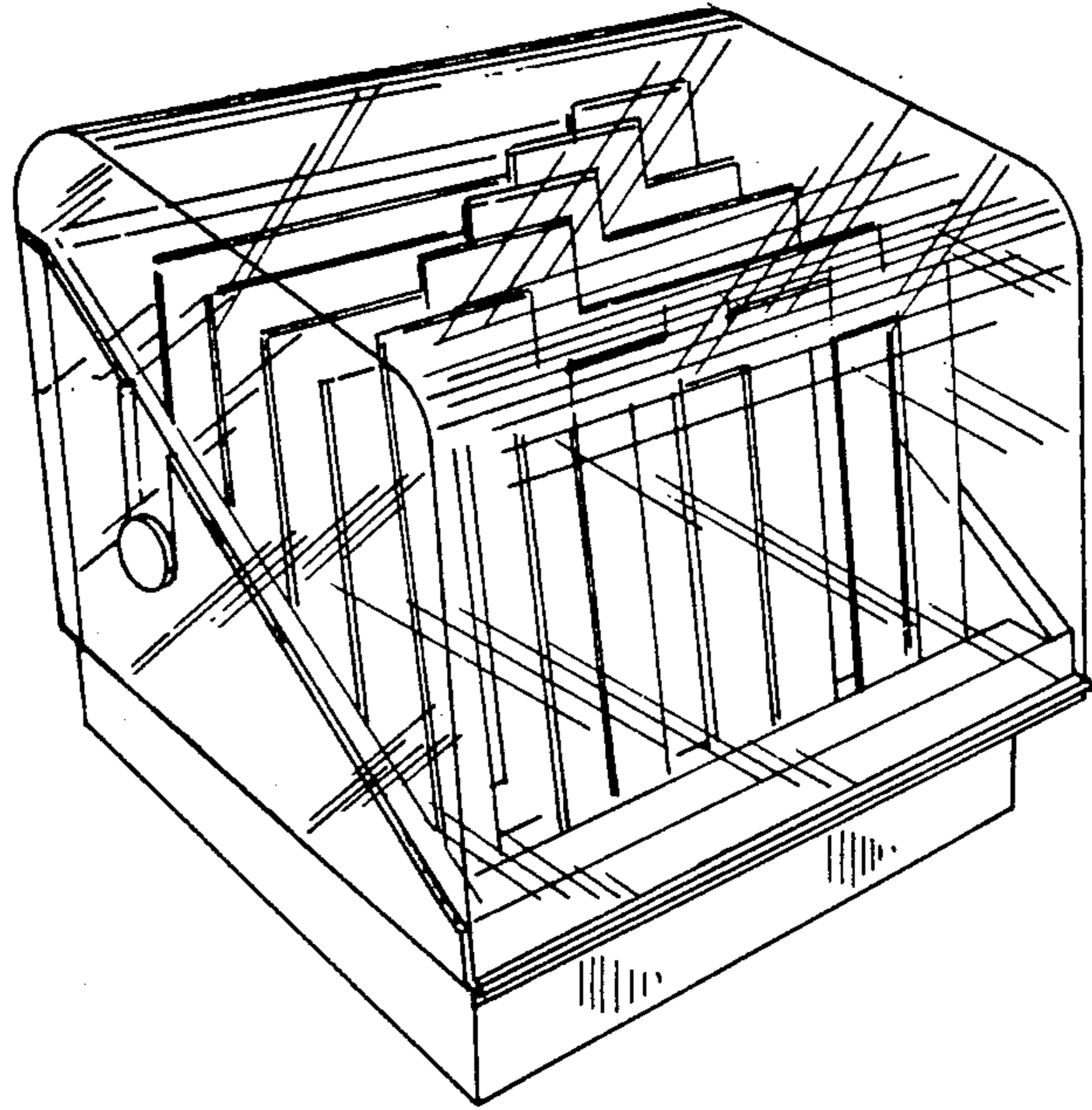


FIG. 2.

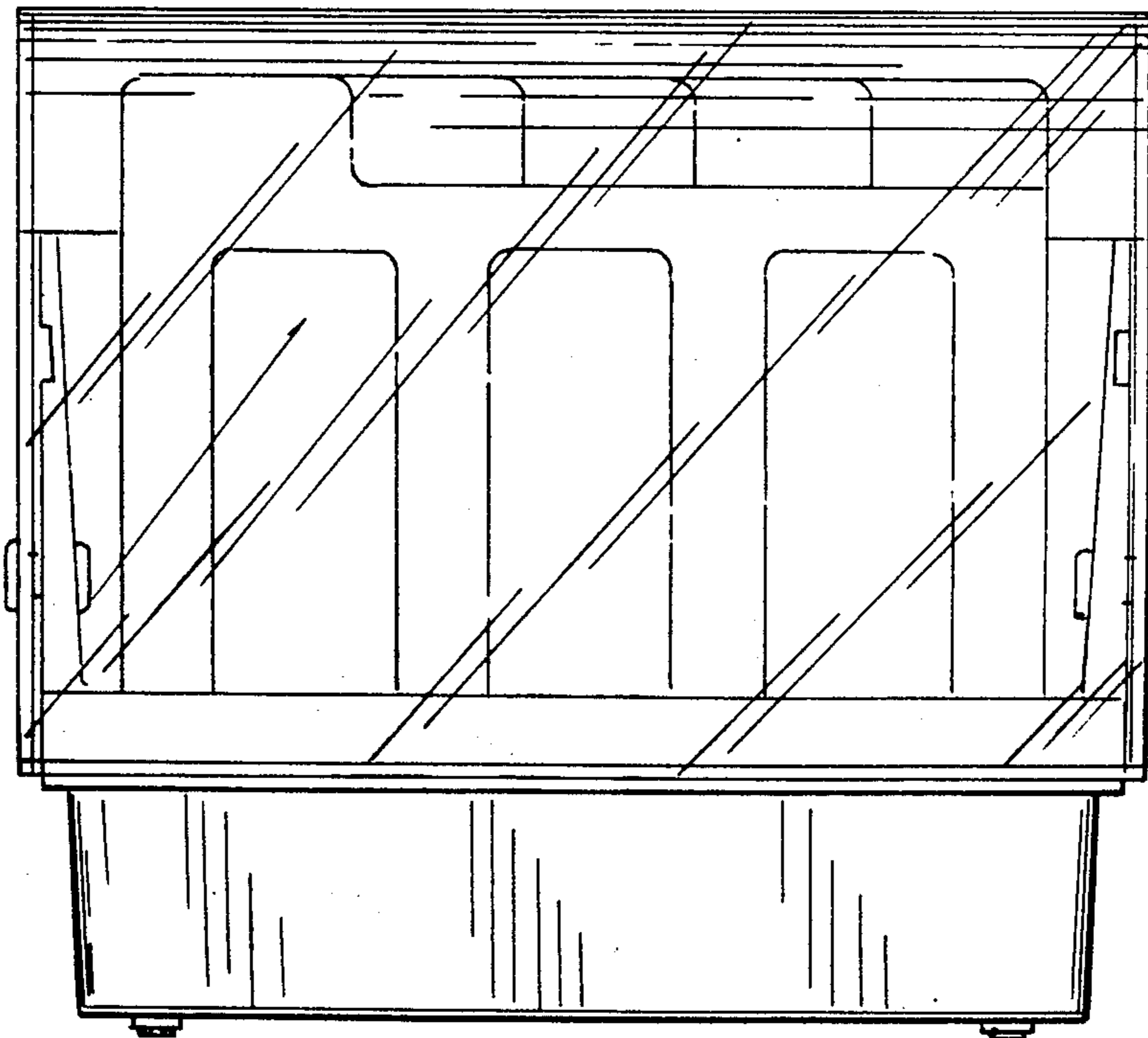


FIG. 3.

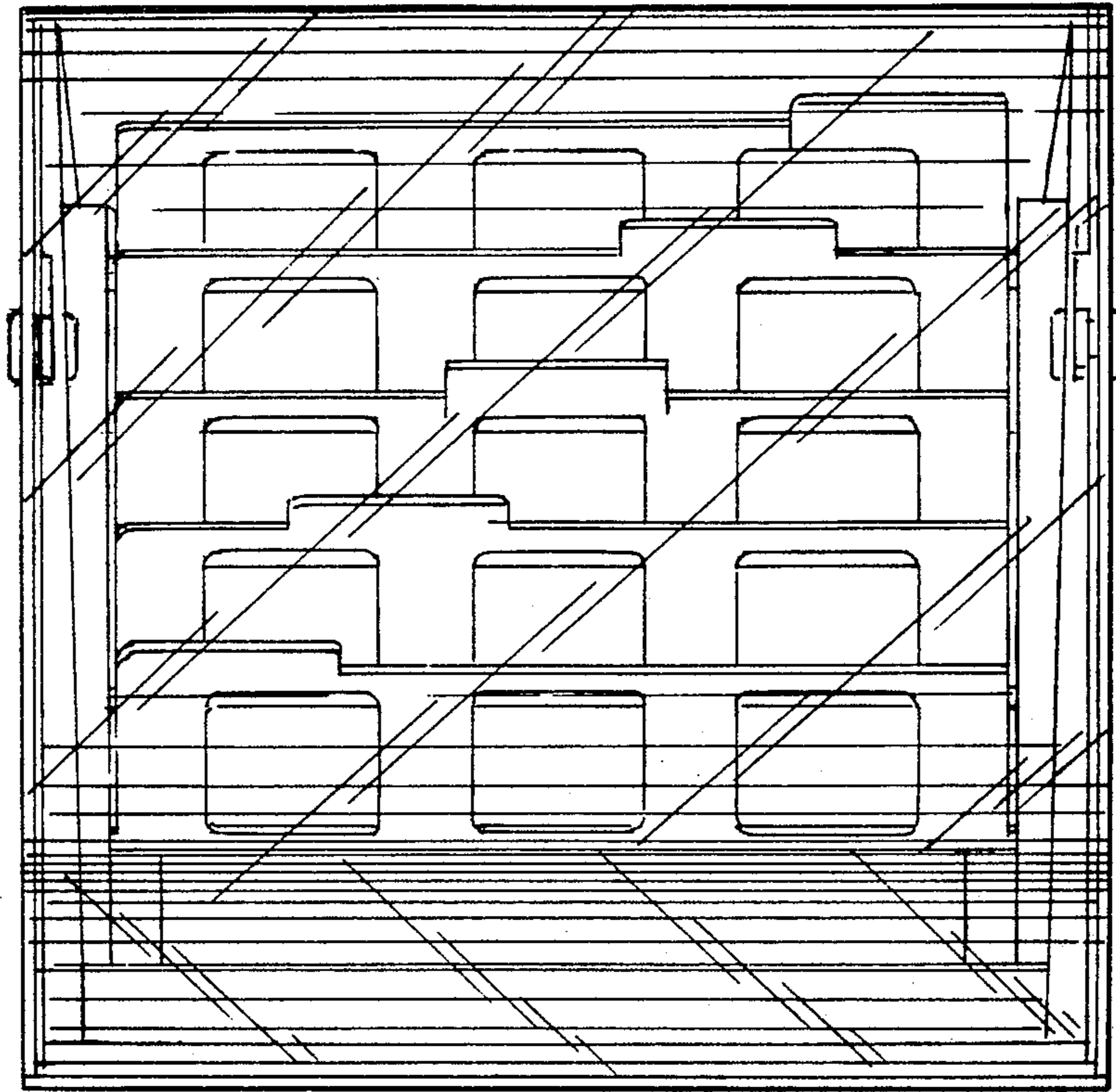


FIG. 4.

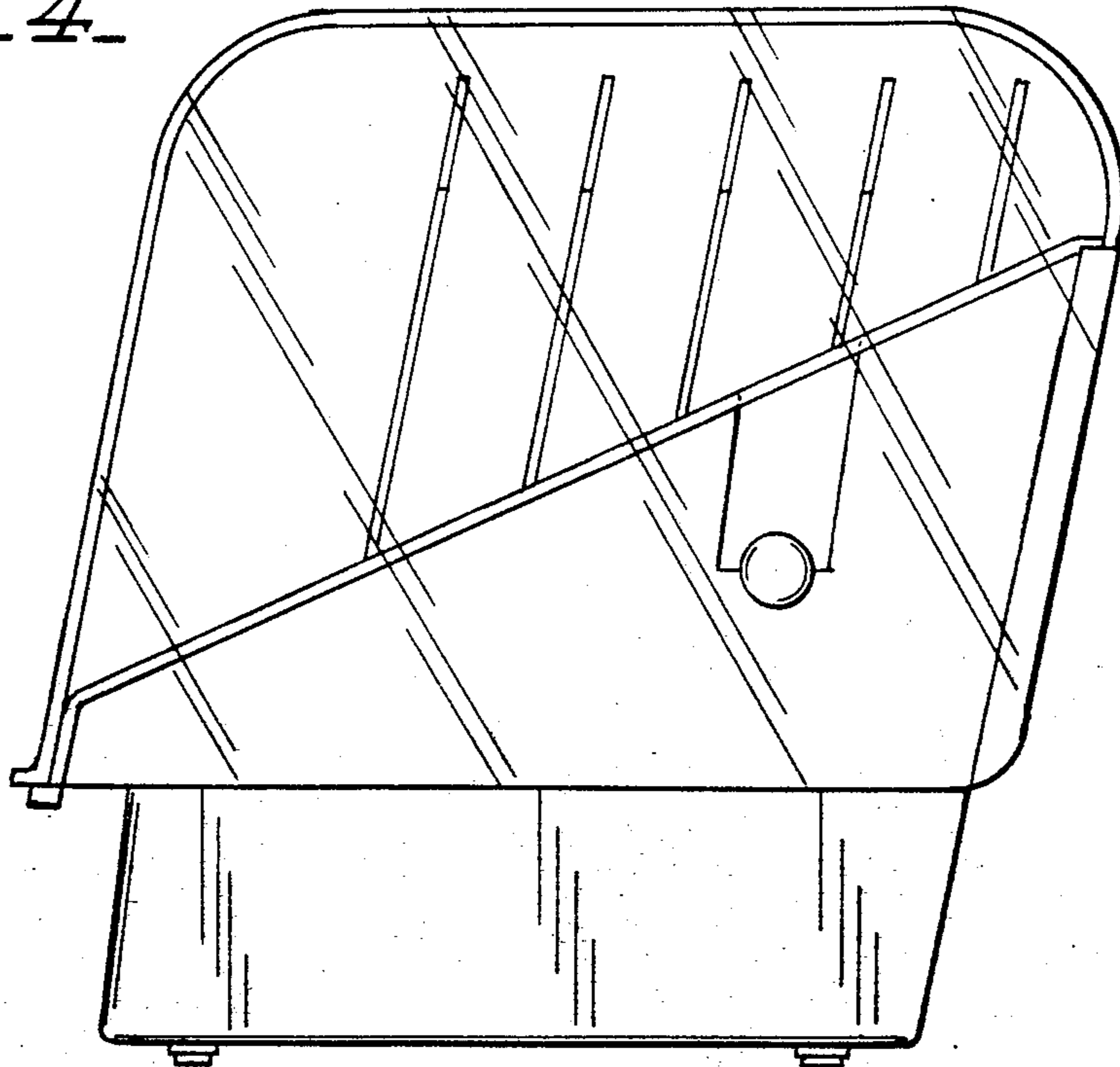


FIG. 5.

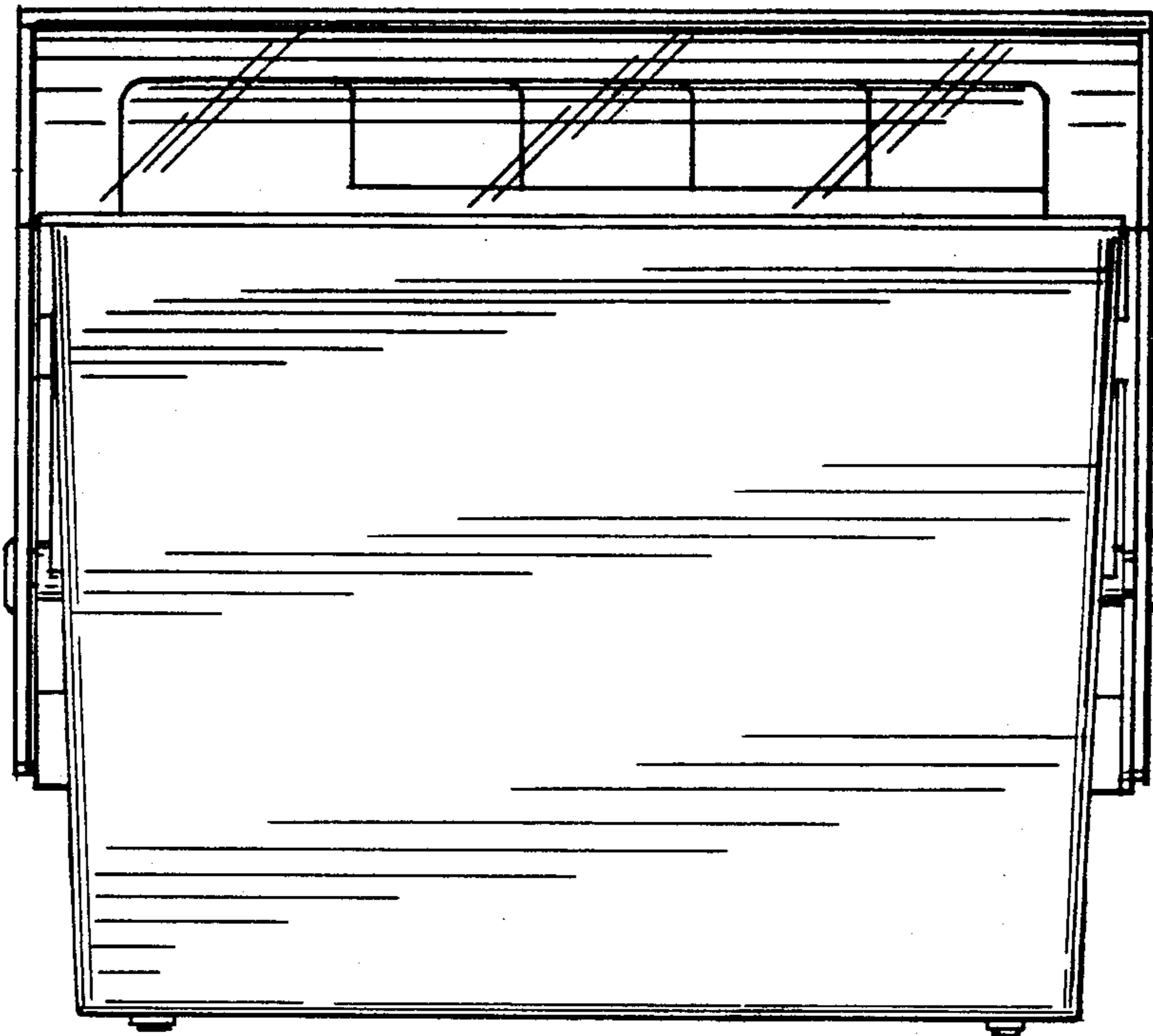


FIG. 6.

