

[54] CARRYING CASE FOR TOY

[76] Inventor: Nelson L. Chase, R.R. #2, Road 600 South, Box 322, Lynn, Ind. 47355

[**] Term: 14 Years

[21] Appl. No.: 544,692

[22] Filed: Oct. 24, 1983

[52] U.S. Cl. D3/30.1

[58] Field of Search D3/30.1, 36, 37, 74; D21/223, 210, 211; D9/346; D7/71; 206/315; 211/60.1, 70.3, 70.2, 68, 69

[56] References Cited

U.S. PATENT DOCUMENTS

- D. 112,533 12/1938 Muessel D21/223
- D. 154,105 6/1949 Deskey D21/223 X
- D. 185,807 8/1959 Antle 211/60.1 X
- D. 200,417 2/1965 Miele D21/223
- 2,791,255 5/1957 Ogden D21/223 X
- 3,236,366 2/1966 Broda et al. 211/69 X
- 3,966,051 6/1976 Hollister et al. 211/70.2 X

4,090,612 5/1978 Lostutter 211/60.1 X

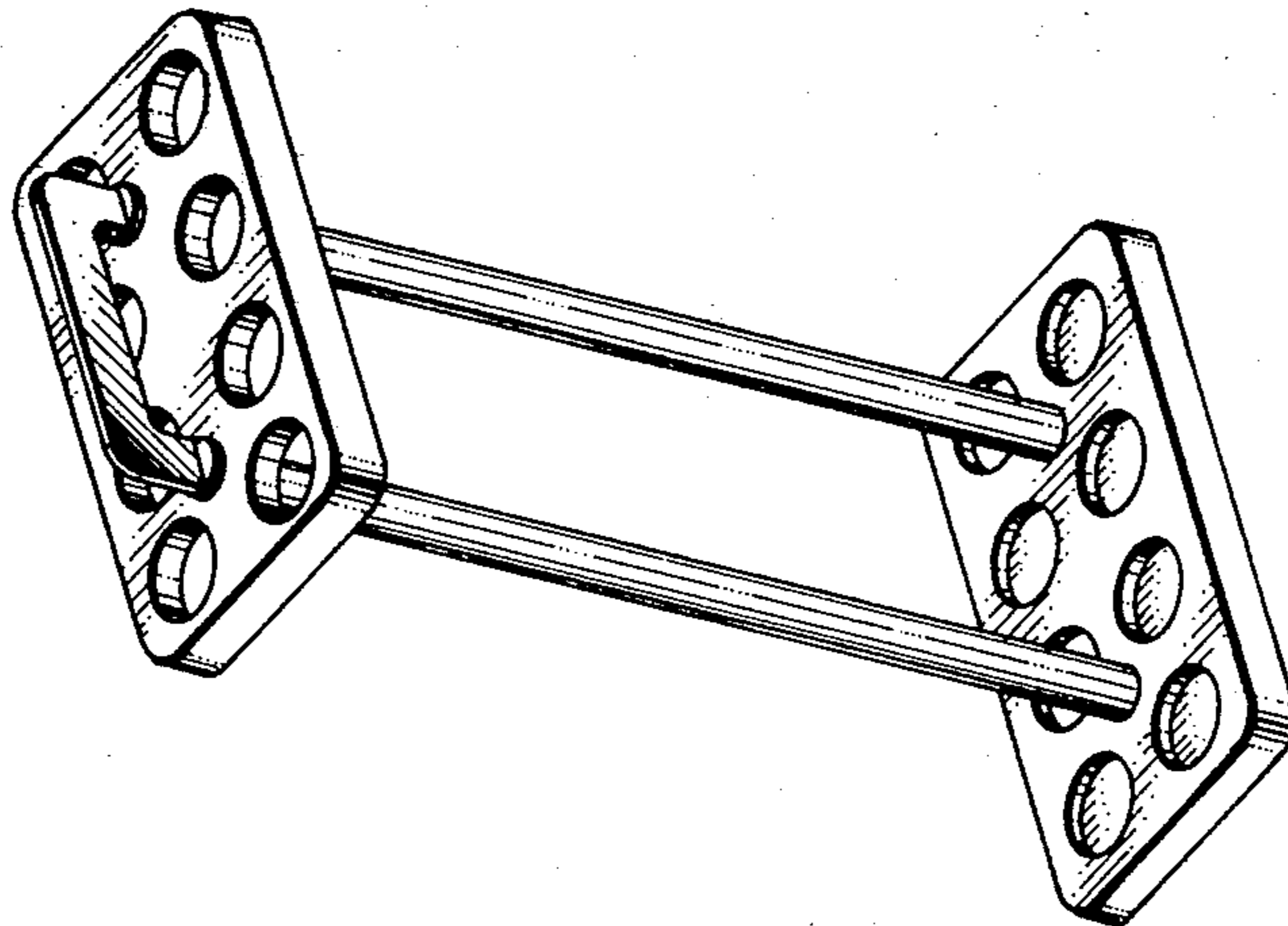
Primary Examiner—Bernard Ansher
Assistant Examiner—Linda Titolo
Attorney, Agent, or Firm—J. David Haynes

[57] CLAIM

The ornamental design for a carrying case for toy, as shown and described.

DESCRIPTION

FIG. 1 is a top front perspective view of a carrying case for toy, showing my new design; FIG. 2 is a left side elevational view thereof, the right side being a mirror image thereof; FIG. 3 is a front elevational view thereof, the rear view being a mirror image thereof; FIG. 4 is a top plan view thereof; and FIG. 5 is a bottom plan view thereof. The right side elevational view and the rear elevational view which would be the opposites of FIGS. 2 and 3 are mirror images of their opposite views which are shown in FIGS. 2 and 3 in the drawing.



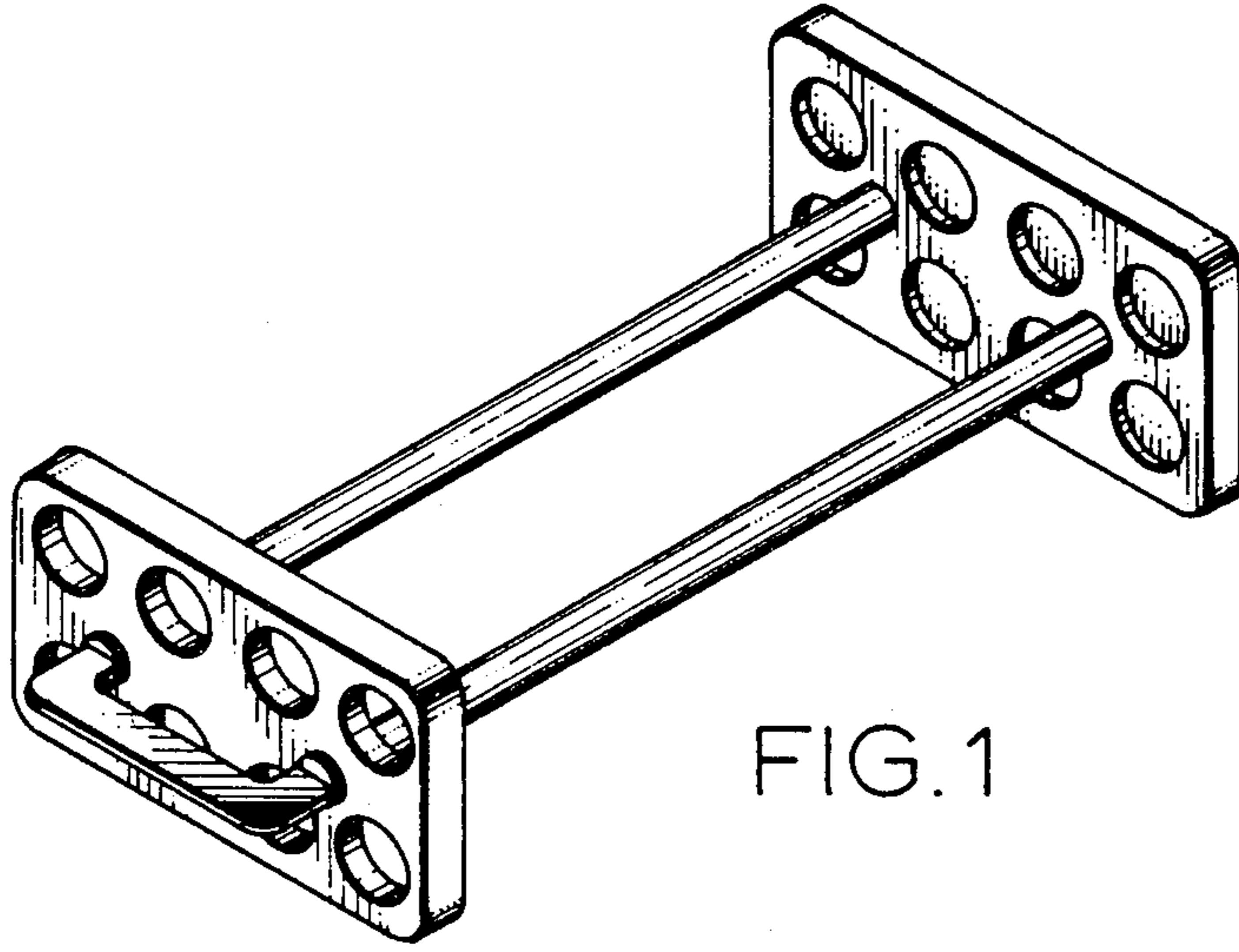


FIG. 1

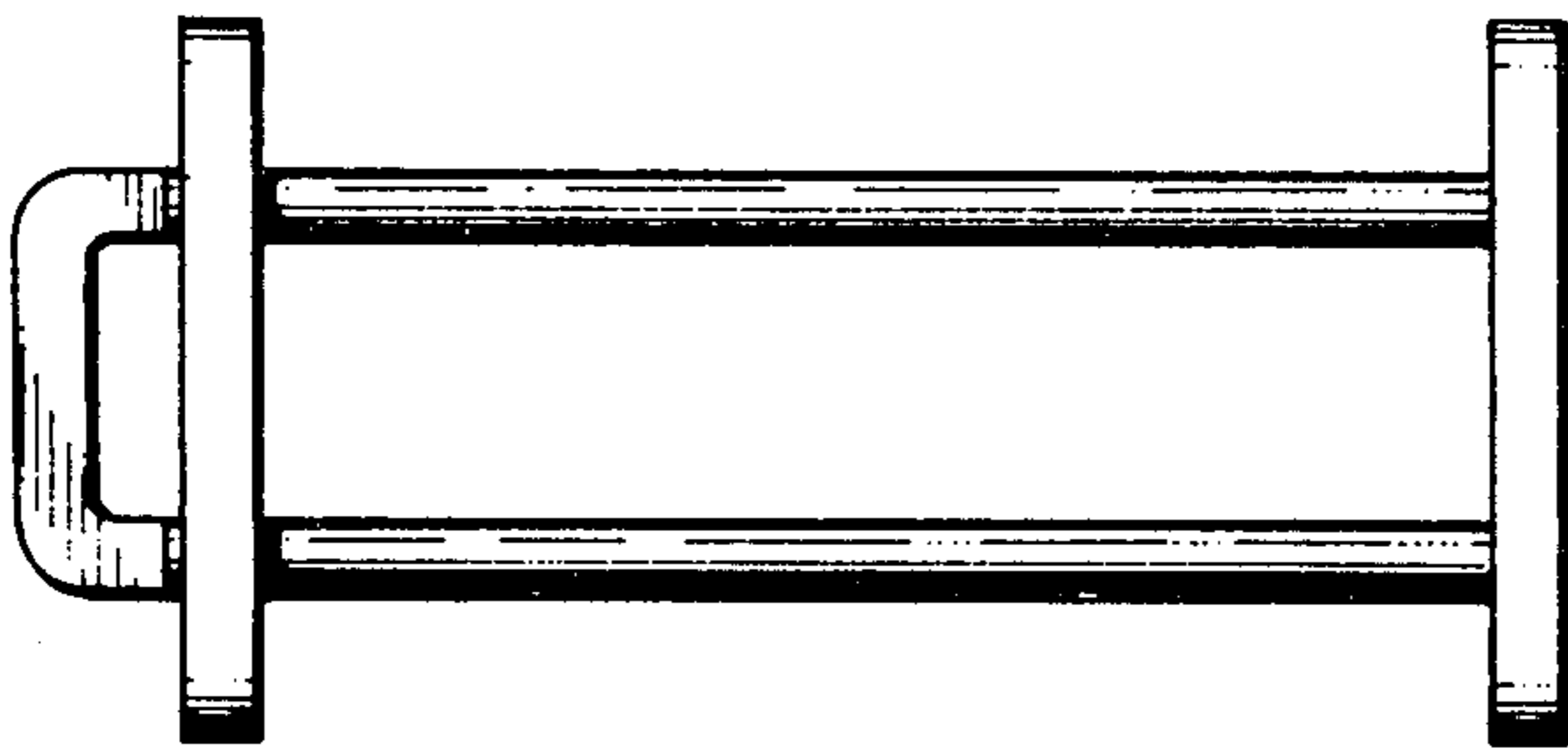


FIG. 3

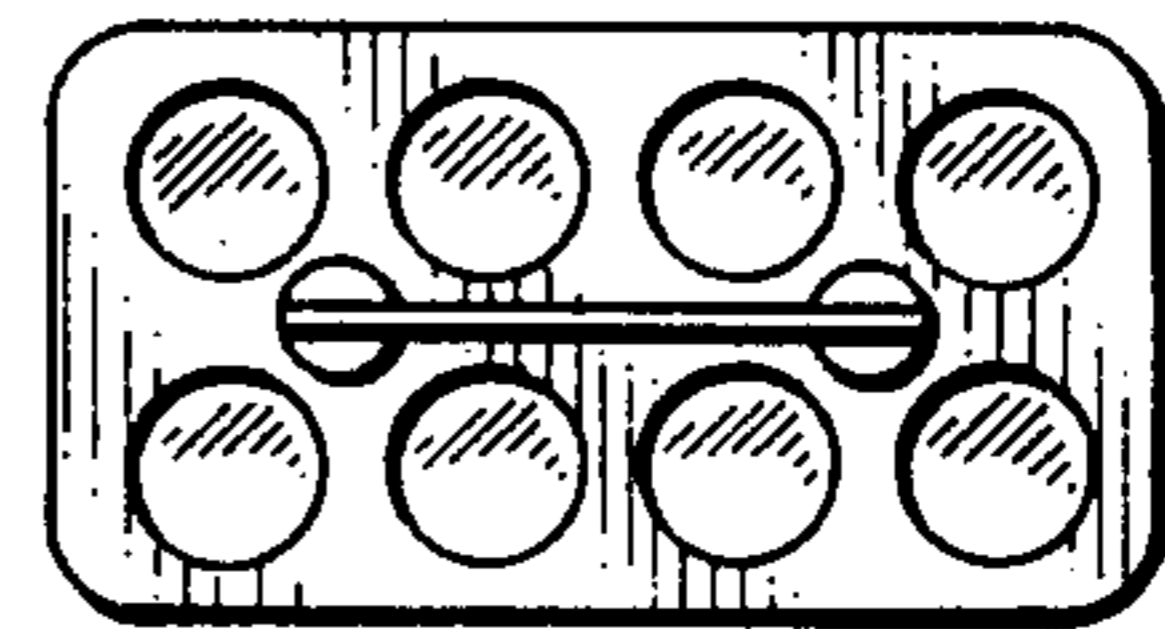


FIG. 4

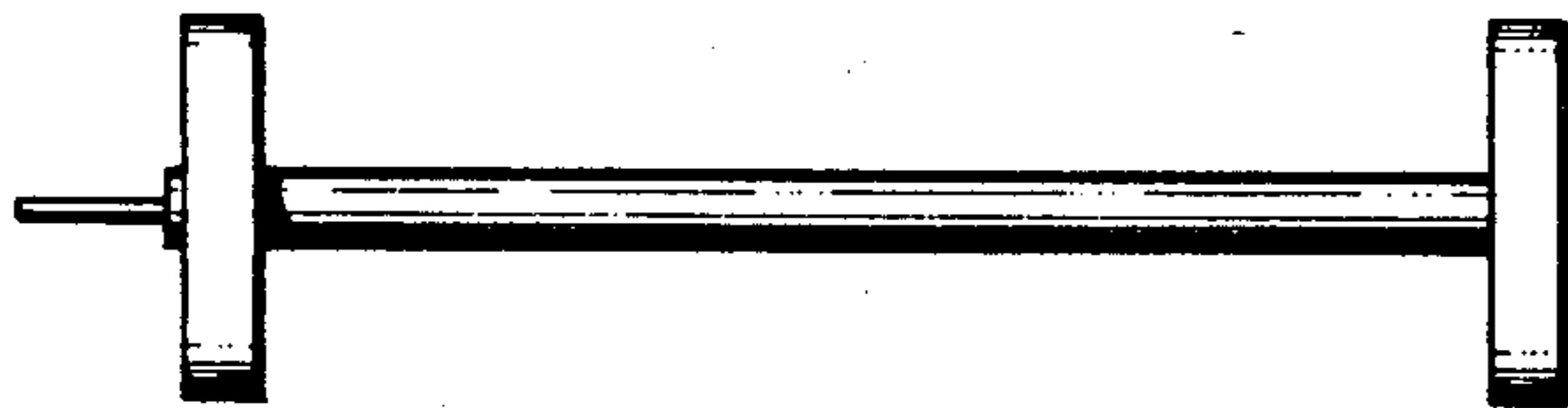


FIG. 2

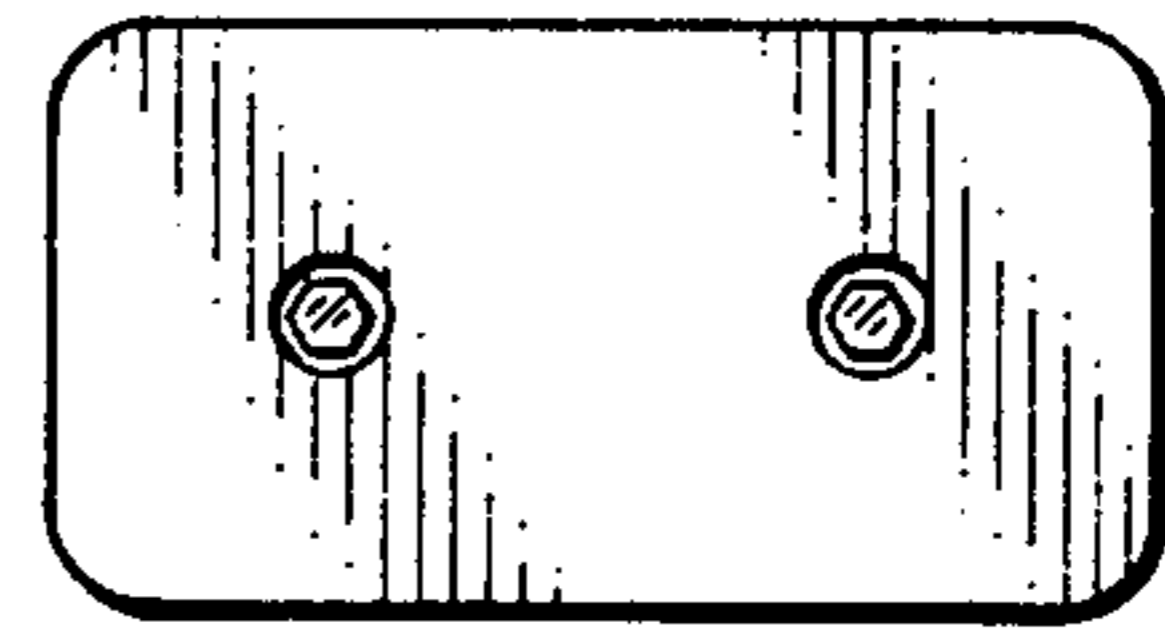


FIG. 5